



US00D732755S

(12) **United States Design Patent**
Roberson et al.

(10) **Patent No.:** **US D732,755 S**
(45) **Date of Patent:** **** Jun. 23, 2015**

(54) **DISHWASHER DOOR**

(71) Applicant: **BSH Home Appliances Corporation,**
Irvine, CA (US)

(72) Inventors: **Lindsay Roberson,** Durham, NC (US);
Thomas Ott, Neubiberg (DE)

(73) Assignee: **BSH Home Appliances Corporation,**
Irvine, CA (US)

(**) Term: **14 Years**

(21) Appl. No.: **29/478,582**

(22) Filed: **Jan. 7, 2014**

Related U.S. Application Data

(62) Division of application No. 29/451,788, filed on Apr. 9, 2013, now Pat. No. Des. 702,898, which is a division of application No. 29/425,994, filed on Jun. 29, 2012, now Pat. No. Des. 684,736, which is a division of application No. 29/403,661, filed on Oct. 10, 2011, now Pat. No. Des. 668,403.

(51) **LOC (10) Cl.** **15-05**

(52) **U.S. Cl.**
USPC **D32/3**

(58) **Field of Classification Search**
USPC D32/1-3, 25, 28; 312/31, 109, 228;
134/56 D, 57 D, 58 D, 58 DL, 201;
D7/340, 348-350, 405

See application file for complete search history.

(56) **References Cited**

U.S. PATENT DOCUMENTS

5,365,959 A * 11/1994 Favaro 134/113
D385,070 S * 10/1997 Hughes et al. D32/3

D424,257 S * 5/2000 Umeda et al. D32/2
6,893,061 B2 * 5/2005 Miller et al. 292/303
D539,992 S * 4/2007 Yamamoto et al. D32/2
7,216,944 B2 * 5/2007 Oyler et al. 312/311
D544,657 S * 6/2007 Jung et al. D32/2
D577,869 S * 9/2008 Tartan et al. D32/2
D613,467 S * 4/2010 Park et al. D32/6
D627,937 S * 11/2010 Kim D32/2
D665,957 S * 8/2012 Eng et al. D32/2
D667,596 S * 9/2012 Berberet D32/3
D668,402 S * 10/2012 Eng et al. D32/3
D668,403 S * 10/2012 Eng et al. D32/3
D668,404 S * 10/2012 Eng et al. D32/3
D670,457 S * 11/2012 Eng D32/3
D673,742 S * 1/2013 Eng et al. D32/2
2003/0030288 A1 * 2/2003 Miller et al. 292/303

* cited by examiner

Primary Examiner — Robert Delehanty

(74) *Attorney, Agent, or Firm* — James E. Howard; Andre Pallapies

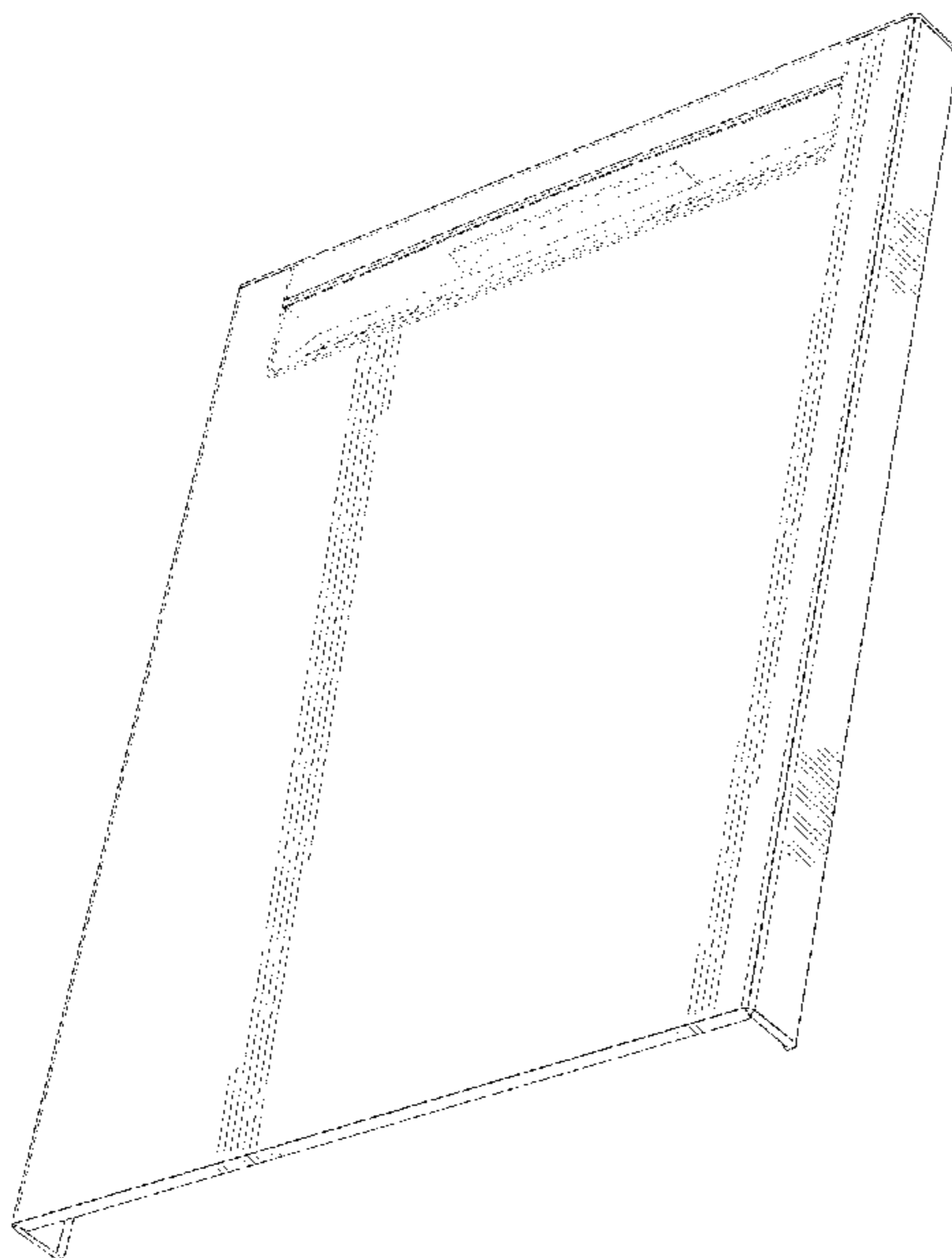
(57) **CLAIM**

The ornamental design for a dishwasher door, as shown and described.

DESCRIPTION

FIG. 1 is a left side view of the dishwasher door, with the right hand side view thereof being a mirror image thereof; and, FIG. 2 is a front perspective view thereof from the bottom. The broken lines of the dishwasher, dishwasher compartment and/or components thereof show surrounding structure or environment and do not form part of the claimed design. The bottom and rear parts of the dishwasher door, and the bottom, rear and top of the dishwasher compartment are unornamented and form no part of the claimed design.

1 Claim, 2 Drawing Sheets



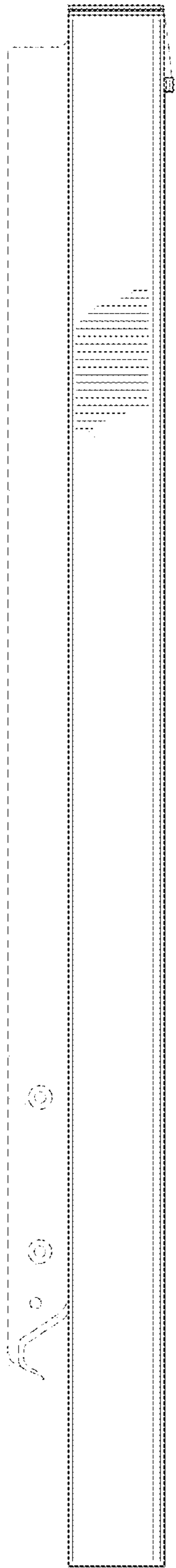


Fig. 1

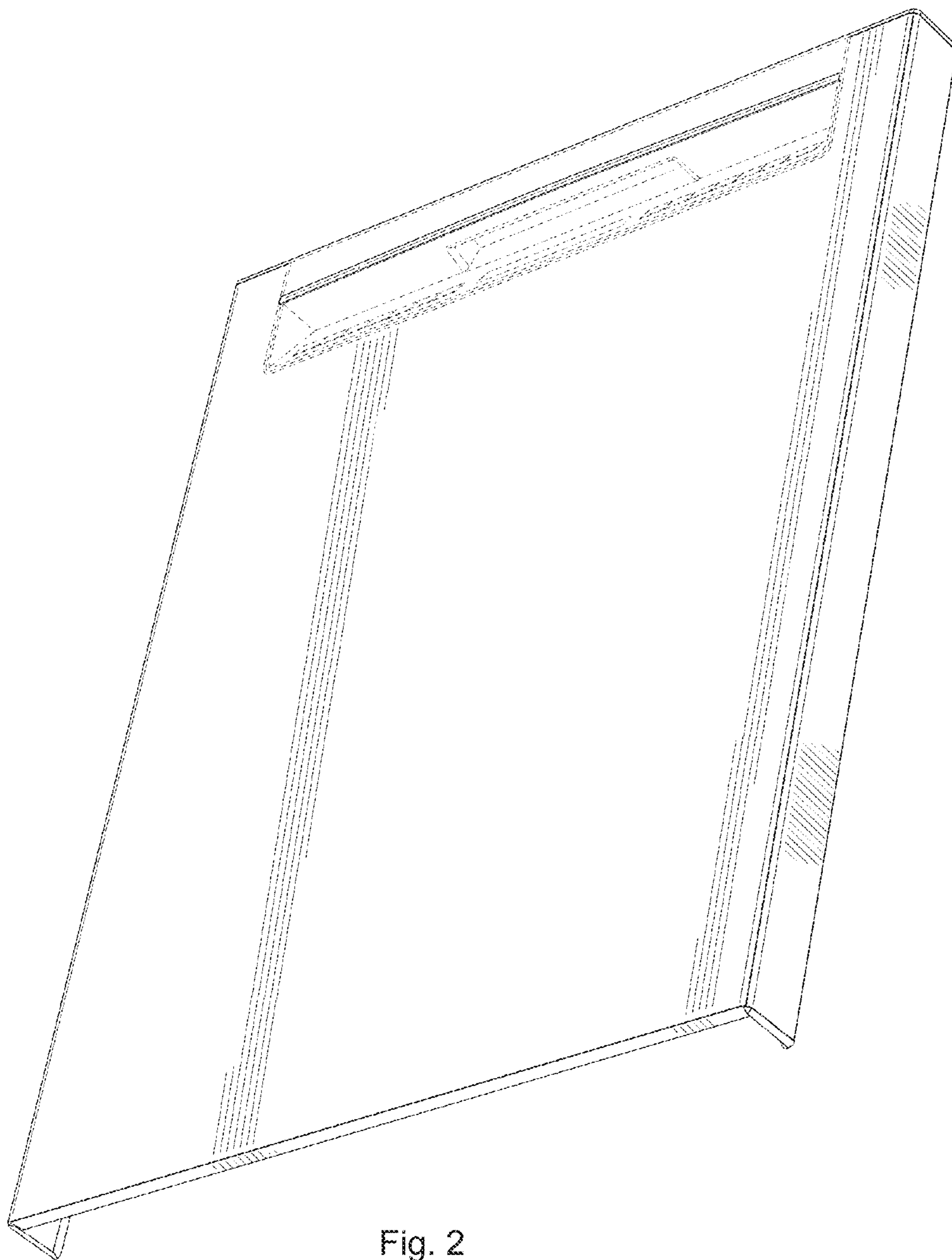


Fig. 2