

US00D732754S

(12) **United States Design Patent**
Roberson et al.

(10) **Patent No.:** **US D732,754 S**
(45) **Date of Patent:** **** Jun. 23, 2015**

(54) **CUTLERY BASKET COVER**

FOREIGN PATENT DOCUMENTS

(71) Applicant: **BSH Home Appliances Corporation**,
Irvine, CA (US)

CN 300865017 * 12/2008
CN 301067334 * 11/2009

(Continued)

(72) Inventors: **Lindsay Roberson**, Durham, NC (US);
Jeff Vogus, New Bern, NC (US)

OTHER PUBLICATIONS

(73) Assignee: **BSH Home Appliances Corporation**,
Irvine, CA (US)

Dishwasher rack with covers in them—Stock Photo © hjalmeida
#8668831, publish Feb. 28, 2012, online, <http://depositphotos.com/8668831/stock-photo-dirty-dishes-in-the-dishwasher.html?sst=120&sqc=165&sqm=2417&sq=2vh37b>, [site visited Jan. 27, 2015 7:25:23 PM].*

(**) Term: **14 Years**

(Continued)

(21) Appl. No.: **29/472,062**

(22) Filed: **Nov. 8, 2013**

Related U.S. Application Data

Primary Examiner — Anhdao Doan

Assistant Examiner — John R Yeh

(62) Division of application No. 29/446,584, filed on Feb. 26, 2013, now Pat. No. Des. 701,358, which is a division of application No. 29/391,796, filed on May 13, 2011, now Pat. No. Des. 681,288.

(74) *Attorney, Agent, or Firm* — James E. Howard; Andre Pallapies

(51) **LOC (10) Cl.** **15-05**

(57) **CLAIM**

(52) **U.S. Cl.**
USPC **D32/3**

The ornamental design for a cutlery basket cover, as shown and described.

(58) **Field of Classification Search**
USPC D32/1–3, 6, 25, 28, 29, 34; D23/226, D23/255, 271, 259–260, 268, 381; 312/109, 312/237 A; 134/56 R, 57 R, 57 D, 57 DL, 134/56 D, 58 R, 58 D, 58 DL, 25.2, 184; 68/3 R, 13 R, 27, 28, 213, 214, 232; D8/300–303, 315–317; D15/89, 79; D3/304, 306, 315, 318

DESCRIPTION

See application file for complete search history.

FIG. 1 is a front perspective view of a cutlery basket cover;
FIG. 2 is a rear view thereof;
FIG. 3 is a front view thereof;
FIG. 4 is a top view thereof;
FIG. 5 is a bottom view thereof;
FIG. 6 is a right side rear view thereof with the left side view being a mirror image thereof; and,
FIG. 7 is a bottom perspective view thereof.
The broken lines of the cutlery basket show surrounding structure or environment and do not form part of the claimed design.

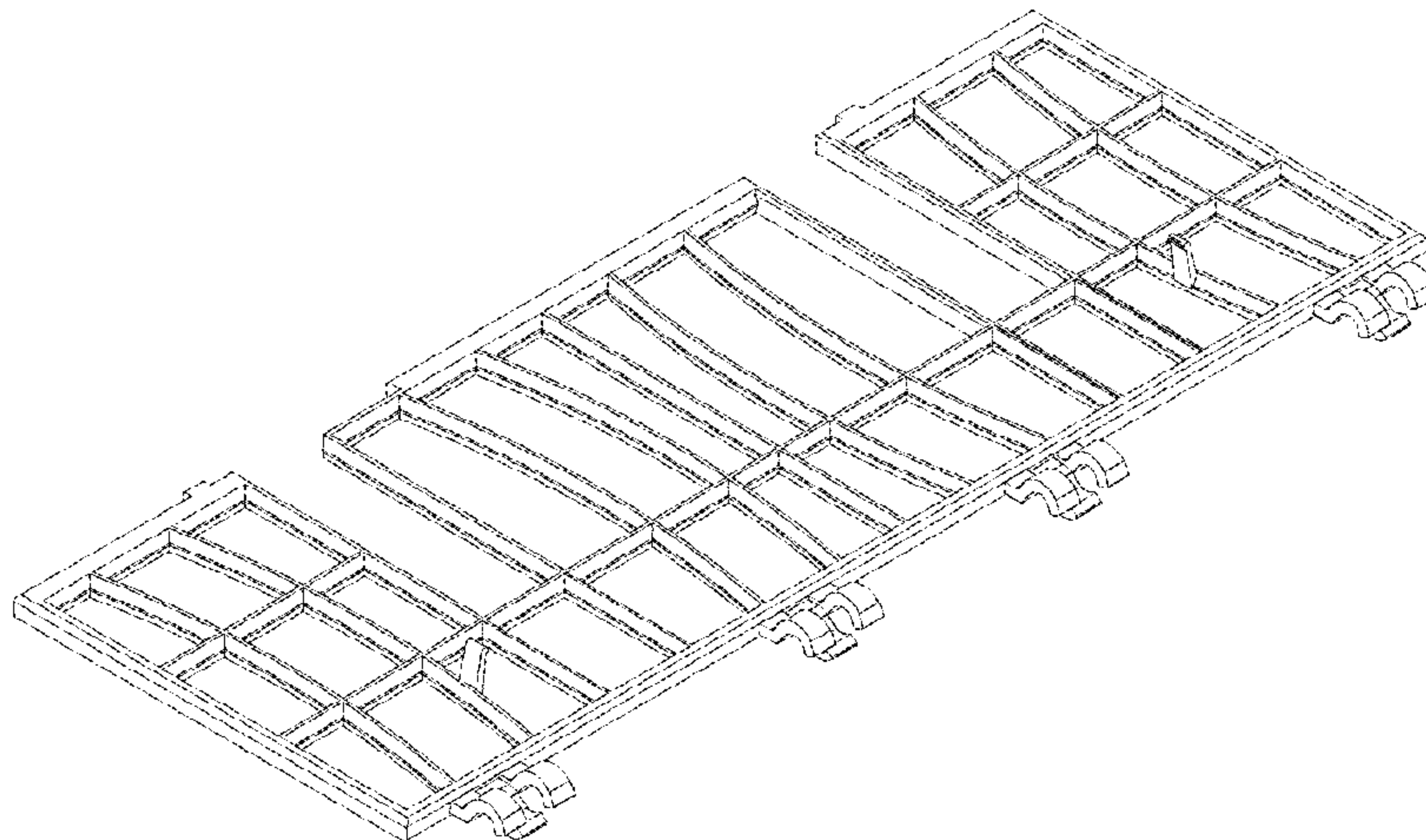
(56) **References Cited**

U.S. PATENT DOCUMENTS

D101,136 S * 9/1936 Peltier D15/89
D102,914 S * 1/1937 Perkins D32/25
D157,571 S * 3/1950 Dennis D3/306
D195,639 S * 7/1963 Ware D32/25

(Continued)

1 Claim, 3 Drawing Sheets



(56)

References Cited

U.S. PATENT DOCUMENTS

D212,074 S * 8/1968 Woodruff D3/306
4,183,437 A * 1/1980 Crawford et al. 211/41.8
D271,721 S * 12/1983 Howitt D3/304
4,917,248 A * 4/1990 Friskney 211/41.8
5,158,185 A * 10/1992 Michael et al. 211/41.8
D338,749 S * 8/1993 McConnell D32/3
5,303,997 A * 4/1994 Kropf 312/334.4
5,840,261 A * 11/1998 Monch 422/300
D507,702 S * 7/2005 Compagnucci D3/306
D516,757 S * 3/2006 Hedstrom et al. D32/3
D580,957 S * 11/2008 Zangari D15/89
7,665,475 B2 * 2/2010 Hedstrom et al. 134/134

7,682,465 B2 * 3/2010 Anderson et al. 134/56 D
D620,649 S * 7/2010 Eng et al. D32/3
D640,842 S * 6/2011 Eng D32/3

FOREIGN PATENT DOCUMENTS

EM 001802505-0004 * 1/2011
WO WO D050374-002 * 3/2000

OTHER PUBLICATIONS

Fisher Paykel cup rack cover, Internet Wayback date Jan. 14, 2012, online, site visited Feb. 6, 2015, http://web.archive.org/web/20120114070457/http://www.genuineapplianceparts.com/category/Dishwasher_Parts/c50m40p2.*

* cited by examiner

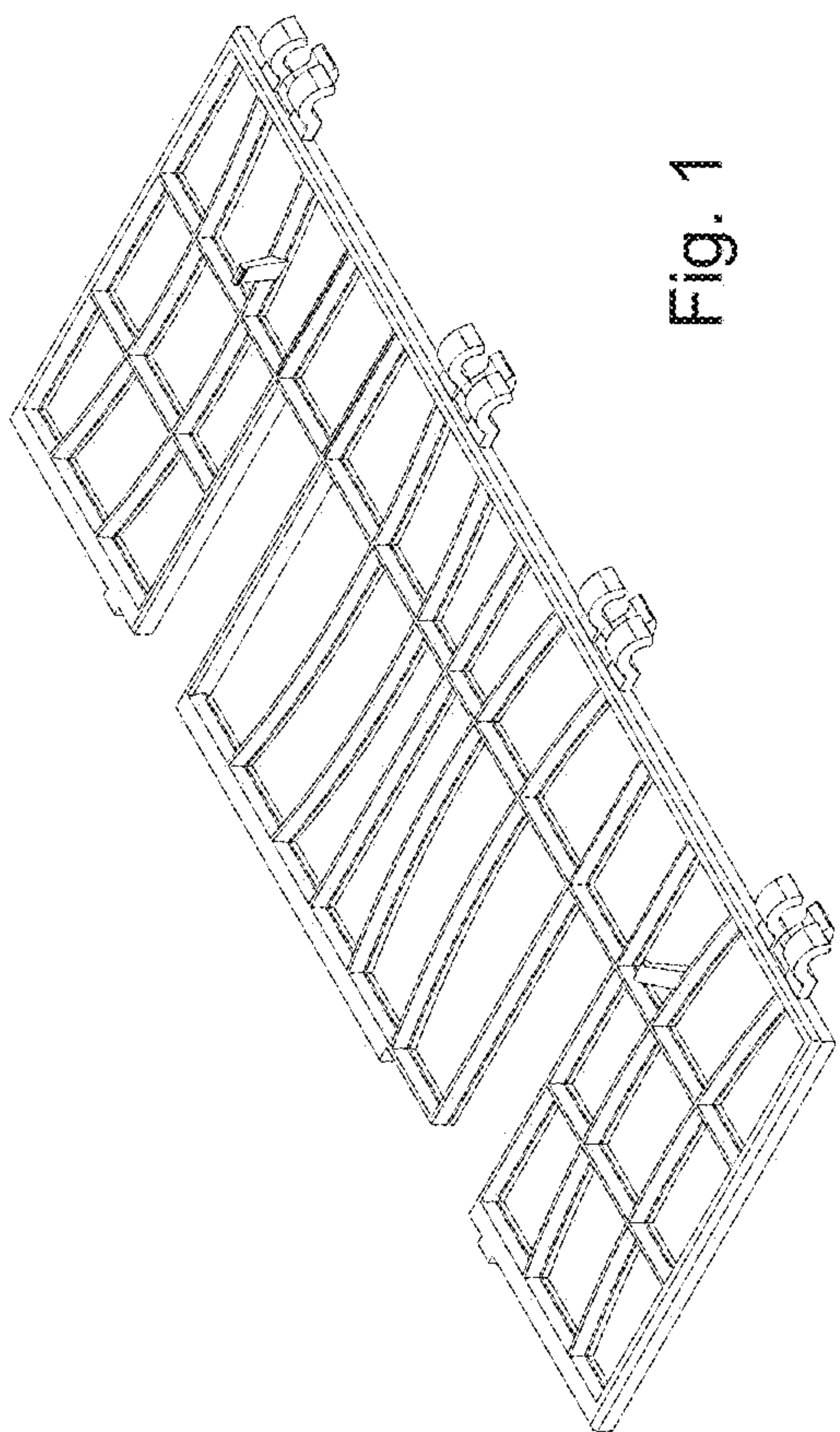


Fig. 1

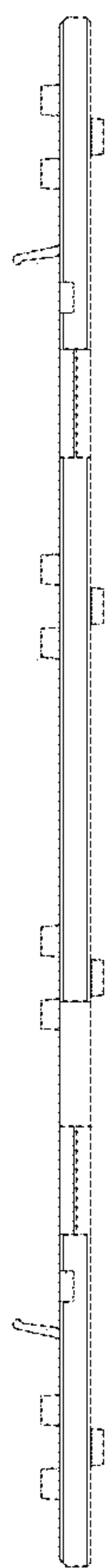


Fig. 2

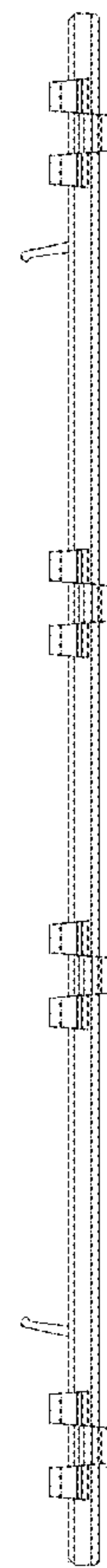


Fig. 3

Fig. 4

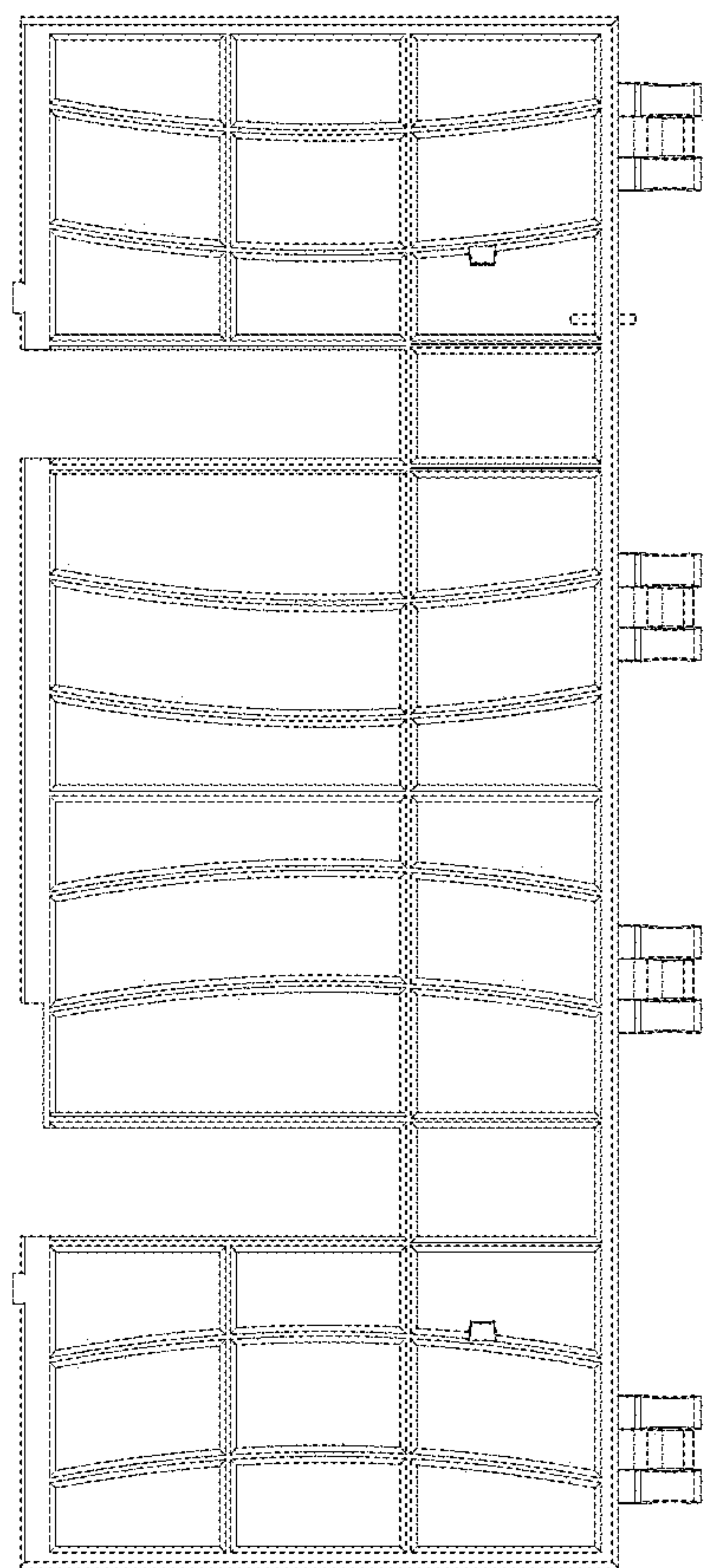
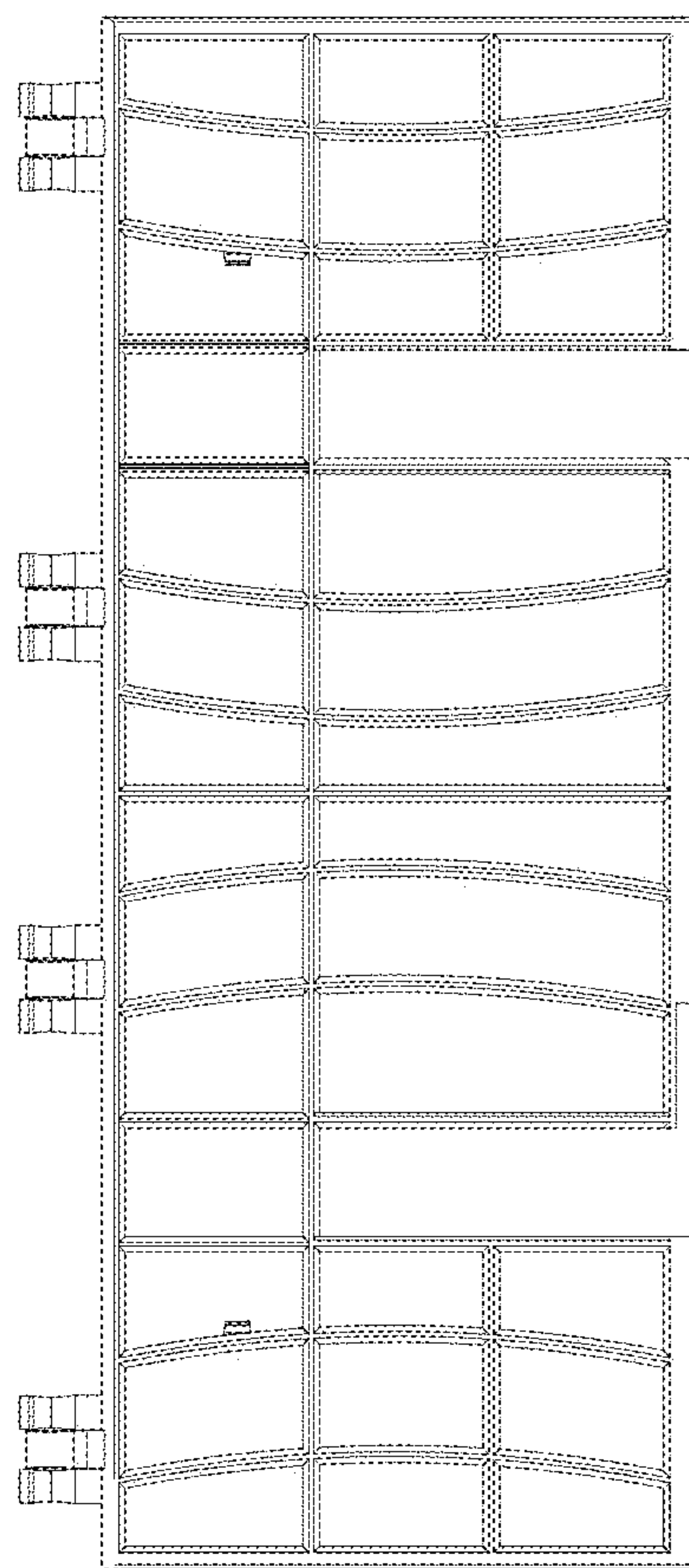


Fig. 5



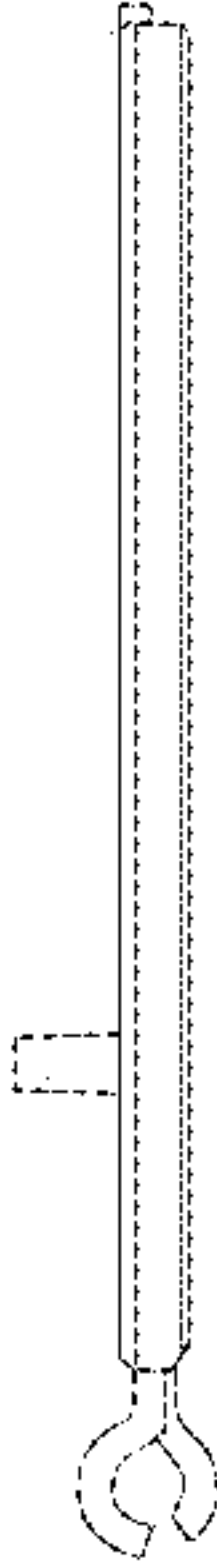


Fig. 6

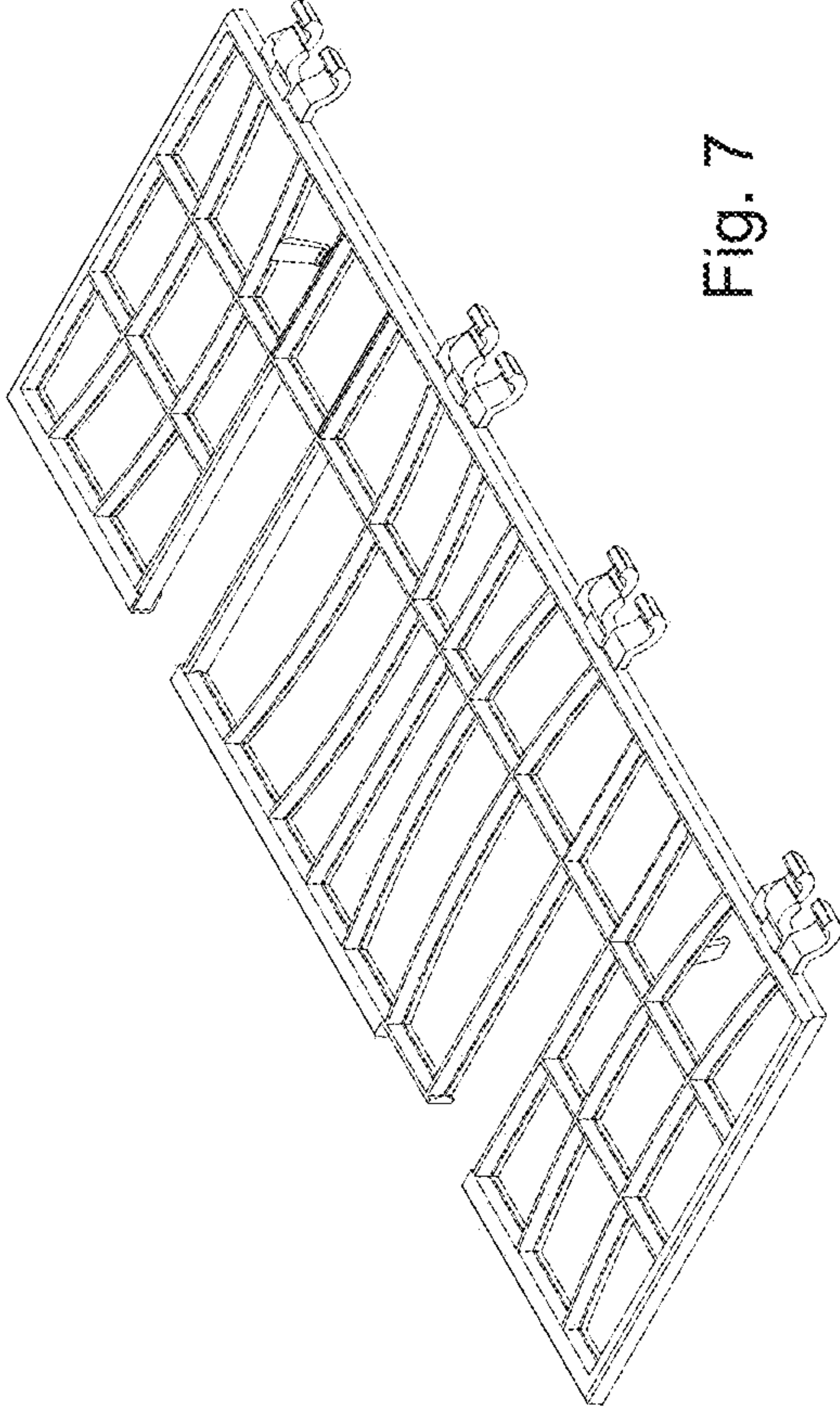


Fig. 7