



US00D732753S

(12) **United States Design Patent**  
**O'Brien et al.**

(10) **Patent No.:** **US D732,753 S**  
(45) **Date of Patent:** **\*\* Jun. 23, 2015**

- (54) **RETRACTABLE LEASH**
- (71) Applicants: **Carolyn O'Brien**, Roswell, GA (US);  
**John C. Evans**, Sandy Springs, GA (US)
- (72) Inventors: **Carolyn O'Brien**, Roswell, GA (US);  
**John C. Evans**, Sandy Springs, GA (US)
- (73) Assignee: **Carolyn O'Brien**, Roswell, GA (US)
- (\*\*) Term: **14 Years**
- (21) Appl. No.: **29/489,783**
- (22) Filed: **May 2, 2014**

6,792,893	B1	9/2004	Quintero et al.	
7,207,296	B2	4/2007	DiDonato	
7,322,316	B2	1/2008	Blandford	
7,325,515	B2	2/2008	Hetland	
D574,981	S *	8/2008	Mattheis	D26/37
7,455,034	B2	11/2008	DiDonato	
D595,882	S *	7/2009	Dupps et al.	D26/38
7,559,292	B2	7/2009	Blandford	
7,762,215	B2	7/2010	Horton	
D635,725	S *	4/2011	Levy et al.	D30/153
7,980,202	B2	7/2011	Bentz et al.	
D643,161	S *	8/2011	Leedom et al.	D30/153

(Continued)

**FOREIGN PATENT DOCUMENTS**

EP 0464725 A1 1/1992

*Primary Examiner* — Martie K Holtje

(74) *Attorney, Agent, or Firm* — Baker & Hostetler LLP

(57) **CLAIM**

The ornamental design for a retractable leash, as shown and described.

**DESCRIPTION**

FIG. 1 is a side perspective view of a first embodiment of a retractable leash showing the claimed design;  
FIG. 2 is a side view thereof;  
FIG. 3 is a rear view thereof;  
FIG. 4 is a front view thereof;  
FIG. 5 is a top view thereof; and,  
FIG. 6 is a bottom view thereof.

The structural features depicted by broken lines in FIGS. 1, 2, 5, and 6 have been shown for the purpose of illustrating portions of the retractable leash that form no part of the claimed design.

The hand depicted by broken lines in FIG. 1 represents environment that forms no part of the claimed design.

The claimed design of retractable leash preferably may be used for purposes of tethering, controlling, and leading small animals, typically domesticated breeds of dogs, by persons walking them.

**1 Claim, 4 Drawing Sheets**

**Related U.S. Application Data**

(63) Continuation-in-part of application No. 14/018,138, filed on Sep. 4, 2013, which is a continuation of application No. 13/604,566, filed on Sep. 5, 2012, now Pat. No. 8,683,960.

(51) **LOC (10) Cl.** ..... **30-04**

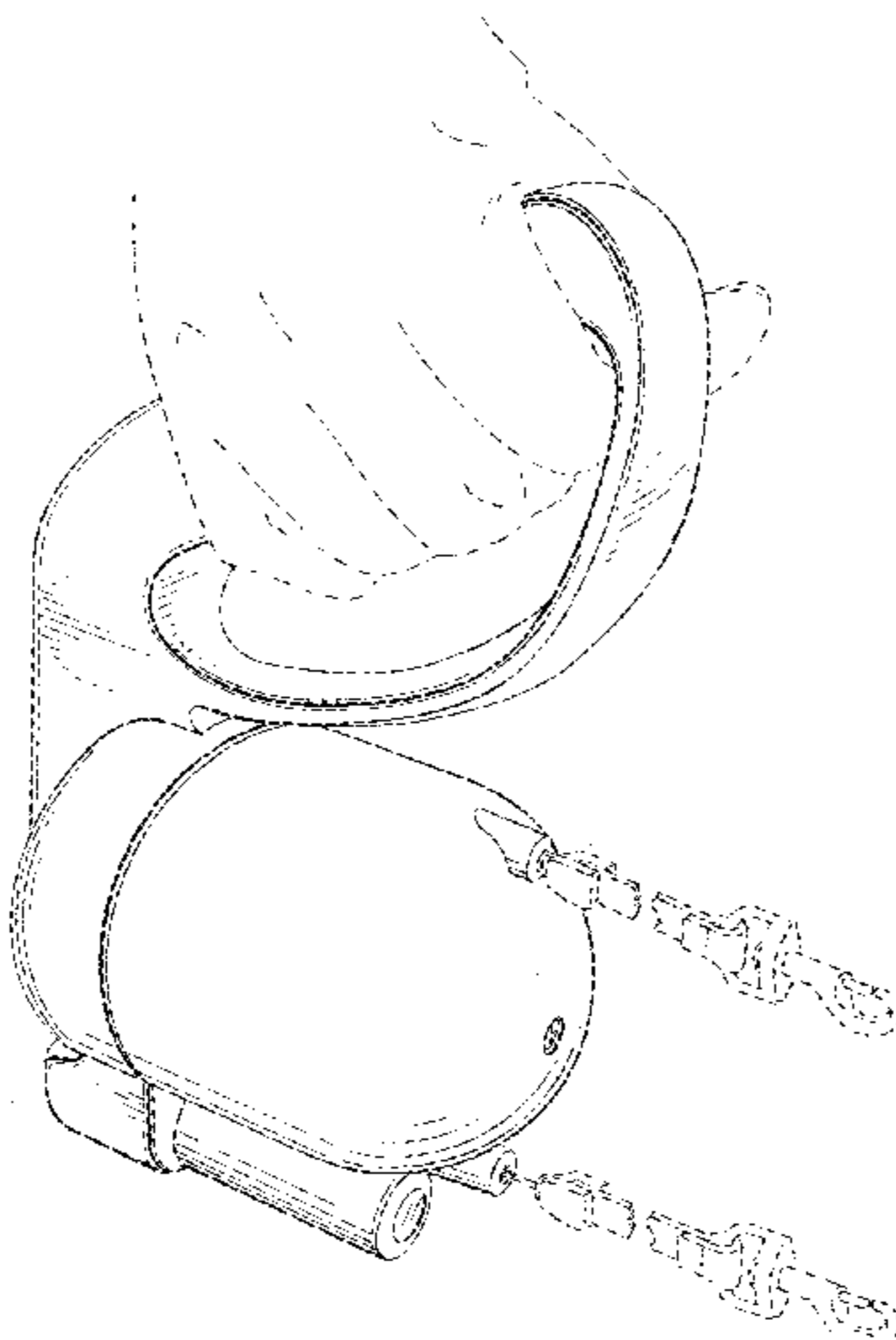
(52) **U.S. Cl.**  
USPC ..... **D30/153**; D26/38

(58) **Field of Classification Search**  
USPC ..... D30/144, 151, 152, 153, 199; D26/37,  
D26/38; 119/712, 720, 769, 792, 794, 795,  
119/796, 797, 798  
CPC ... A01K 27/00; A01K 27/003; A01K 27/004;  
A01K 27/006; A01K 27/008  
See application file for complete search history.

(56) **References Cited**

**U.S. PATENT DOCUMENTS**

3,198,175	A *	8/1965	Dean	119/796
3,693,596	A	9/1972	Croce et al.	
3,853,283	A	12/1974	Croce et al.	
5,701,981	A	12/1997	Marshall et al.	
5,762,029	A *	6/1998	DuBois et al.	119/796
D402,426	S *	12/1998	Levine et al.	D30/153
6,024,054	A *	2/2000	Matt et al.	119/796
6,289,849	B1 *	9/2001	Macedo et al.	119/796



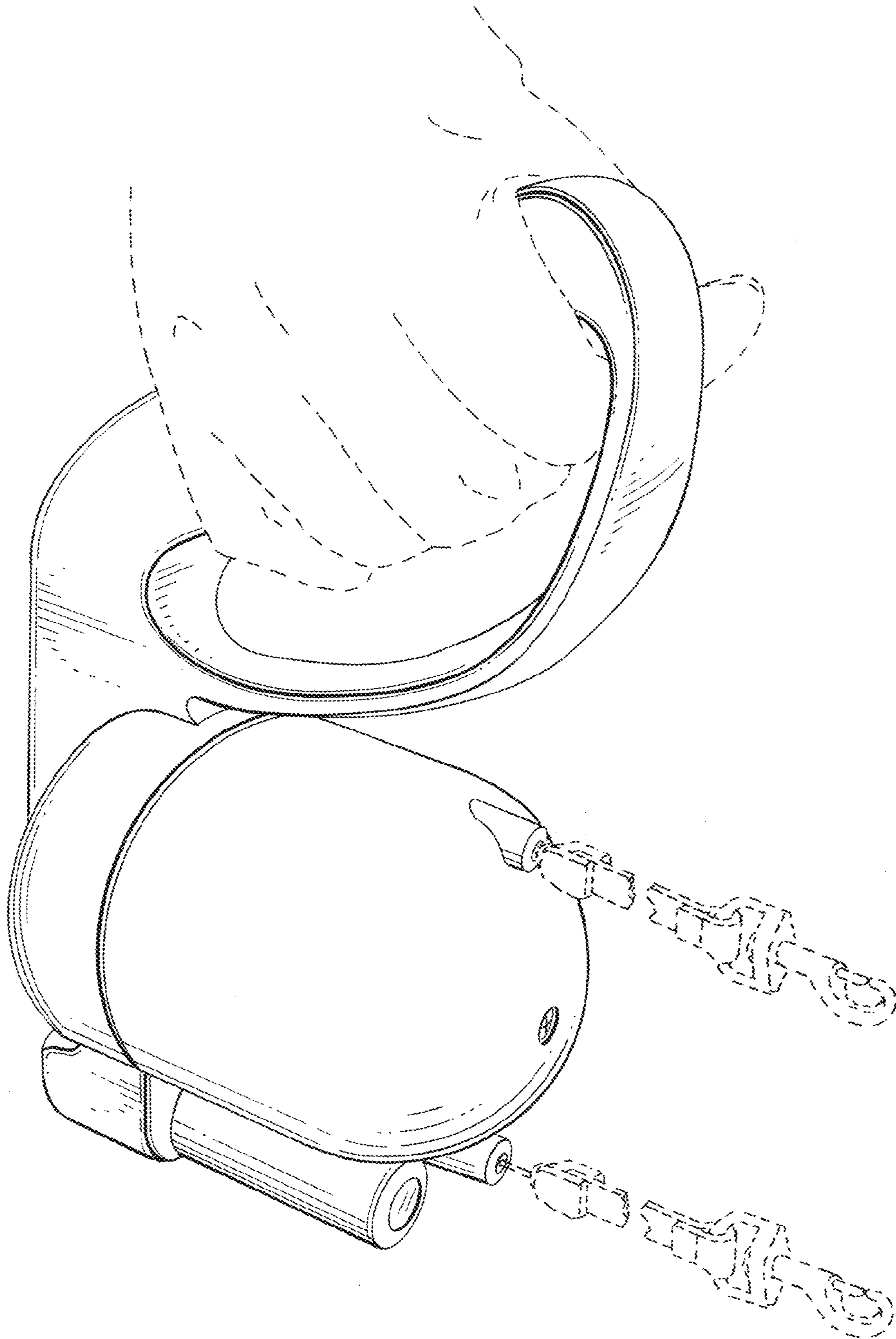
(56)

**References Cited**

U.S. PATENT DOCUMENTS

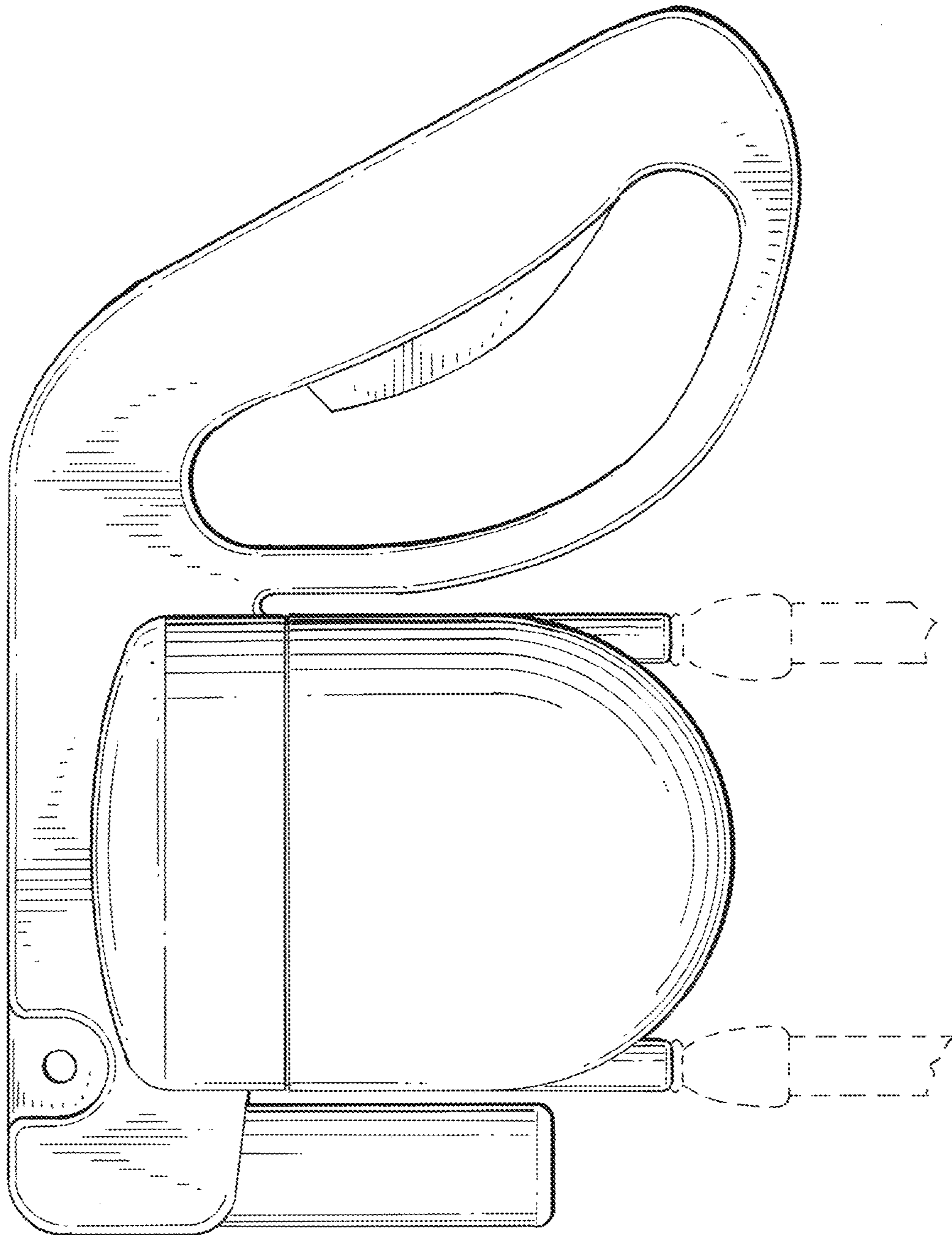
D650,102 S *	12/2011	Pearson	.....	D26/38	2006/0144343 A1	7/2006	Price	
D651,366 S *	12/2011	Fisher et al.	.....	D30/153	2006/0162675 A1 *	7/2006	Ghalebi et al.	119/796
8,151,735 B1	4/2012	McCrocklin			2006/0185618 A1 *	8/2006	Hetland	119/795
8,256,385 B2	9/2012	Goldenberg			2006/0201449 A1	9/2006	Didonato	
8,393,302 B1	3/2013	Blakemore			2006/0288961 A1	12/2006	Blandford	
8,418,659 B2 *	4/2013	Harruna	.....	119/796	2007/0215065 A1 *	9/2007	Furlich	119/795
8,683,960 B2 *	4/2014	O'Brien et al.	.....	119/796	2008/0000433 A1	1/2008	DiDonato	
2004/0154557 A1	8/2004	Meissner			2008/0223308 A1 *	9/2008	Stern	119/720
2005/0103282 A1	5/2005	Huff et al.			2009/0120376 A1	5/2009	Foster	
2005/0263103 A1	12/2005	Updyke et al.			2011/0067649 A1	3/2011	O'Brien et al.	
					2011/0180017 A1	7/2011	Goldenberg	
					2011/0197820 A1 *	8/2011	Goldy et al.	119/61.5
					2014/0238314 A1	8/2014	O'Brien et al.	

\* cited by examiner

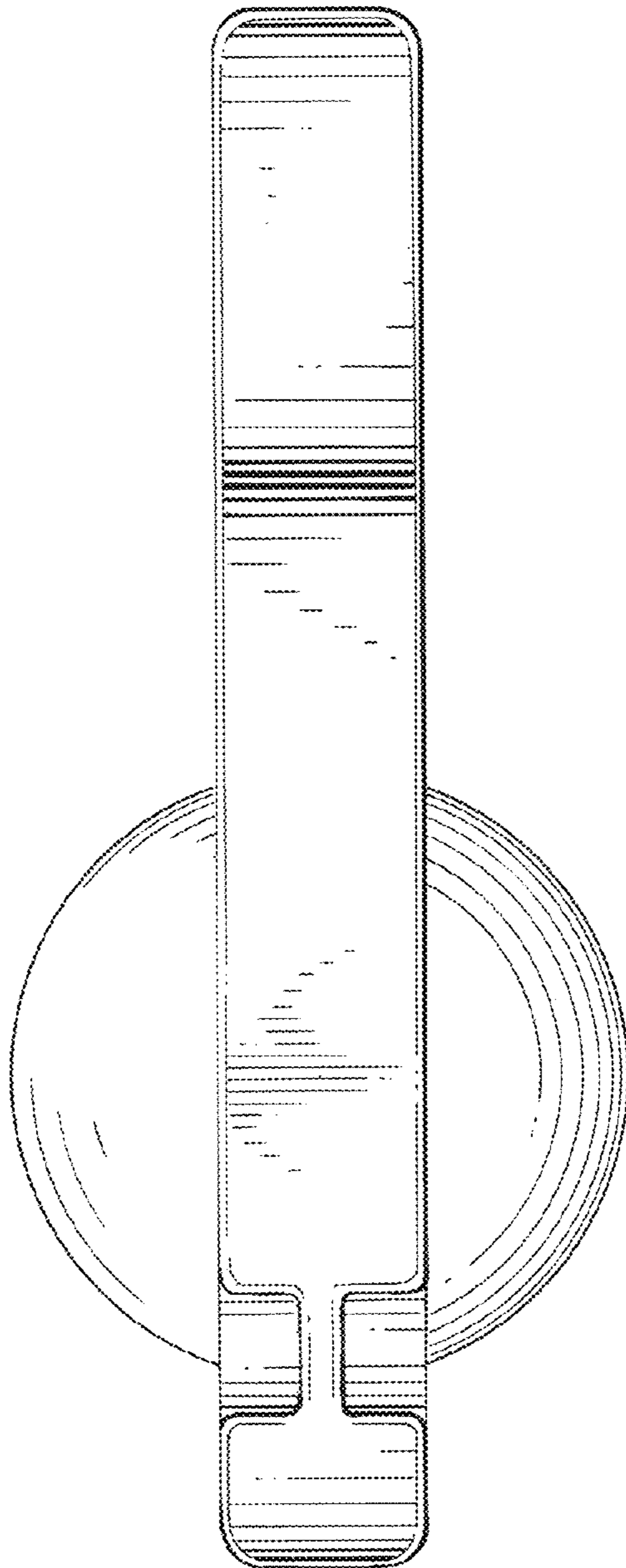


**Fig. 1**

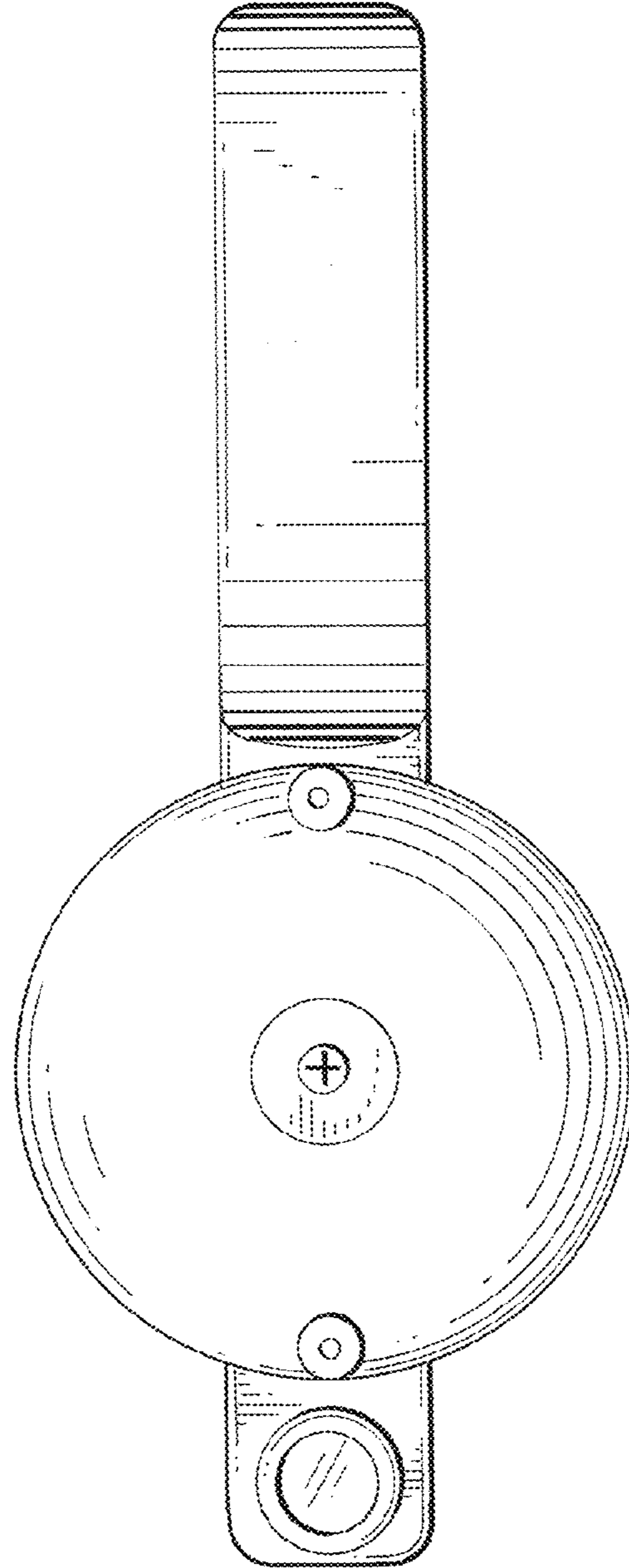
*Fig. 2*



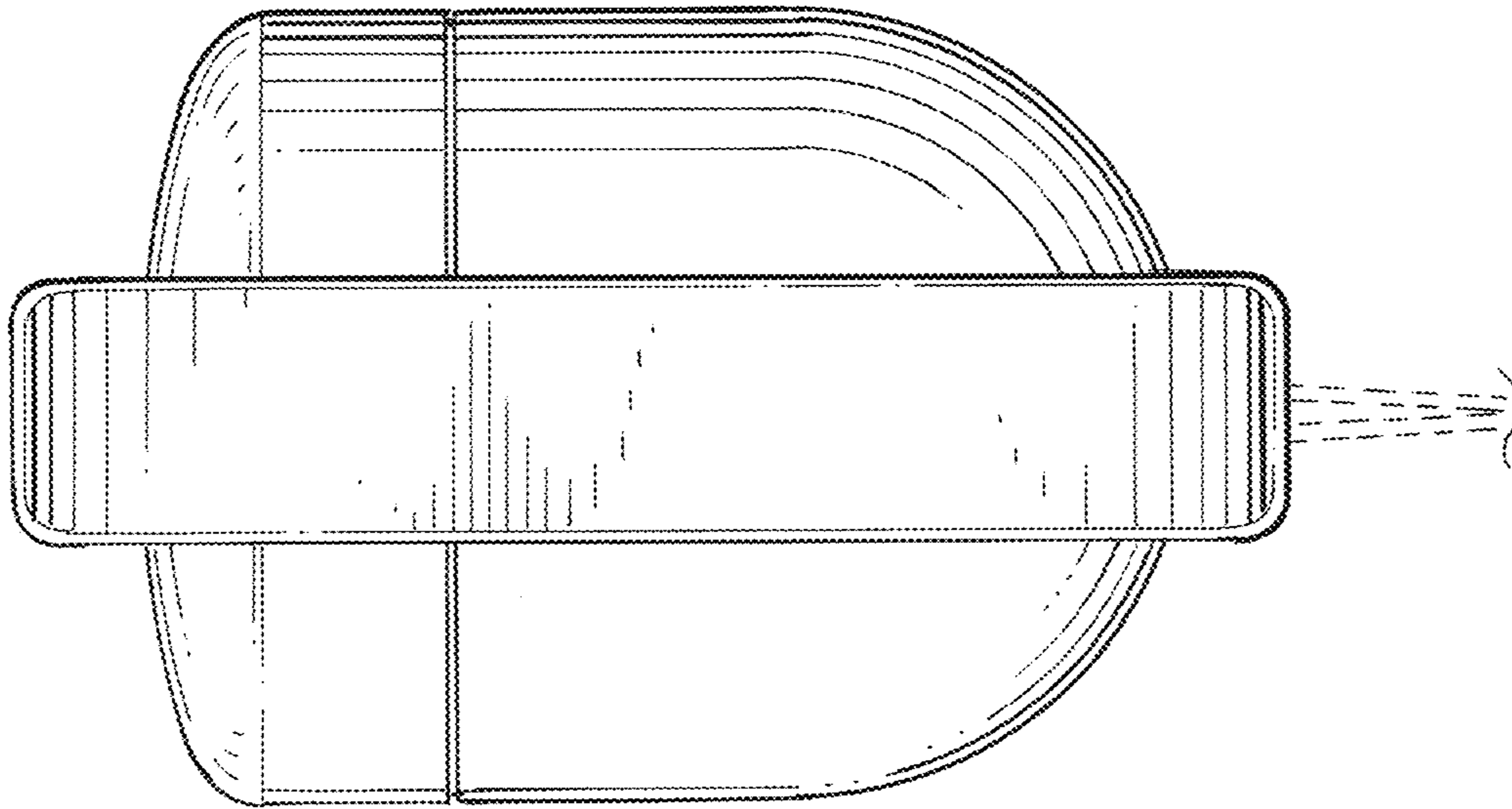
*Fig. 3*



*Fig. 4*



*Fig. 5*



*Fig. 6*

