



US00D732747S

(12) **United States Design Patent**  
**Phillips et al.**

(10) **Patent No.:** **US D732,747 S**  
(45) **Date of Patent:** **\*\* Jun. 23, 2015**

(54) **BOXING GLOVE**

(71) Applicants: **Grant Elvis Phillips**, New York, NY (US); **Jason M. Guidici Pietro**, Mountainside, NJ (US); **Michael Marchionte, Jr.**, North Providence, RI (US); **Joshua E. Stern**, Somers, NY (US); **Christopher J. Long**, Rossmoor, CA (US); **Alexander R. Kaplan**, Culver City, CA (US); **Jon T. Gieselman**, Summit, NJ (US)

(72) Inventors: **Grant Elvis Phillips**, New York, NY (US); **Jason M. Guidici Pietro**, Mountainside, NJ (US); **Michael Marchionte, Jr.**, North Providence, RI (US); **Joshua E. Stern**, Somers, NY (US); **Christopher J. Long**, Rossmoor, CA (US); **Alexander R. Kaplan**, Culver City, CA (US); **Jon T. Gieselman**, Summit, NJ (US)

(73) Assignee: **BKB Global, LLC**, El Segundo, CA (US)

(\*\*) Term: **14 Years**

(21) Appl. No.: **29/461,623**

(22) Filed: **Jul. 25, 2013**

(51) **LOC (10) Cl.** ..... **02-06**

(52) **U.S. Cl.**  
USPC ..... **D29/116.1**

(58) **Field of Classification Search**  
USPC ..... D2/610, 621, 622; D29/116.1, 117.1, D29/120.1, 123; 2/16, 18, 20, 159, 161.1, 2/161.4, 162, 910  
CPC ... A41D 19/00; A41D 19/0044; A41D 19/01; A41D 19/01523; A41D 19/01552; A41F 1/06; A63B 71/145; A63B 71/08; A63B 71/14  
See application file for complete search history.

(56) **References Cited**

U.S. PATENT DOCUMENTS

1,739,013	A *	12/1929	Mitchell	.....	2/18
2,466,793	A *	4/1949	Corbett	.....	2/18
3,540,059	A *	11/1970	Kennedy	.....	2/18
D256,628	S *	9/1980	Fireman	.....	D29/116.1
4,295,228	A *	10/1981	Dragomir	.....	2/18
4,425,668	A *	1/1984	Wen-Jen et al.	.....	2/18
D273,343	S *	4/1984	Albert	.....	D29/116.1
D274,015	S *	5/1984	Golomb	.....	D29/116.1
D277,238	S *	1/1985	Cass	.....	D29/116.1
D281,373	S	11/1985	Golomb		
4,603,439	A *	8/1986	Golomb	.....	2/18
4,667,343	A *	5/1987	Bettis	.....	2/18
6,178,553	B1 *	1/2001	Bolton	.....	2/18

(Continued)

*Primary Examiner* — Karen E. Eldridge Powers

*Assistant Examiner* — Jasmine Mlinarcik

(74) *Attorney, Agent, or Firm* — Dechert LLP

(57) **CLAIM**

The ornamental design for a boxing glove, as shown and described.

**DESCRIPTION**

FIG. 1 is a front elevation view of a boxing glove of the design.

FIG. 2 is a left side elevation view of a boxing glove of the design.

FIG. 3 is a back elevation view of a boxing glove of the design.

FIG. 4 is a right side view of a boxing glove of the design.

FIG. 5 is a top plan view of a boxing glove of the design.

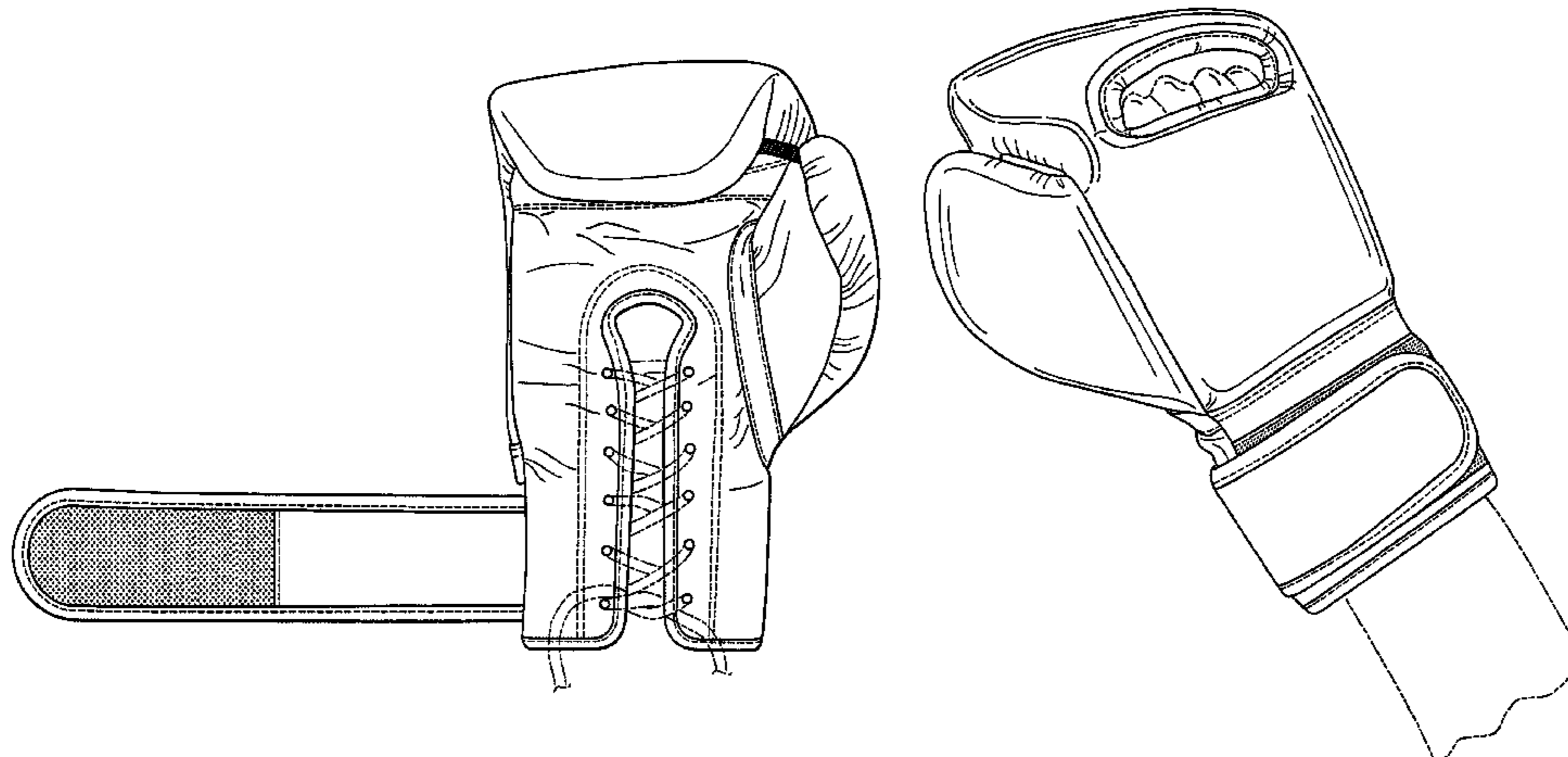
FIG. 6 is a bottom plan view of a boxing glove of the design; and,

FIG. 7 is a perspective view of a boxing glove of the design and with the wrist wrap in an engaged position.

The evenly-spaced broken lines in FIGS. 1-4 and 6-7 represent stitching. The long-short-short broken lines in FIGS. 1-4 and 6 represent laces which form no part of the claimed design. The long-short-short broken lines in FIG. 7 represent knuckles and a forearm which form no part of the claimed design.

FIGS. 1-7 disclose a right-hand embodiment of the design. The mirror images of FIGS. 1-7 disclose a left-hand embodiment of the design.

**1 Claim, 6 Drawing Sheets**



(56)

**References Cited**

U.S. PATENT DOCUMENTS

6,202,213 B1 \* 3/2001 Georgick ..... 2/18  
6,704,936 B1 \* 3/2004 Carlin ..... 2/18  
7,134,146 B2 11/2006 Westergaard

D653,428 S \* 2/2012 Ramos ..... D2/622  
2004/0177431 A1 9/2004 Ferrer  
2011/0277205 A1 11/2011 Cuadrado  
2014/0031180 A1 \* 1/2014 Jones ..... 482/111  
2014/0248594 A1 \* 9/2014 Navas ..... 434/247

\* cited by examiner

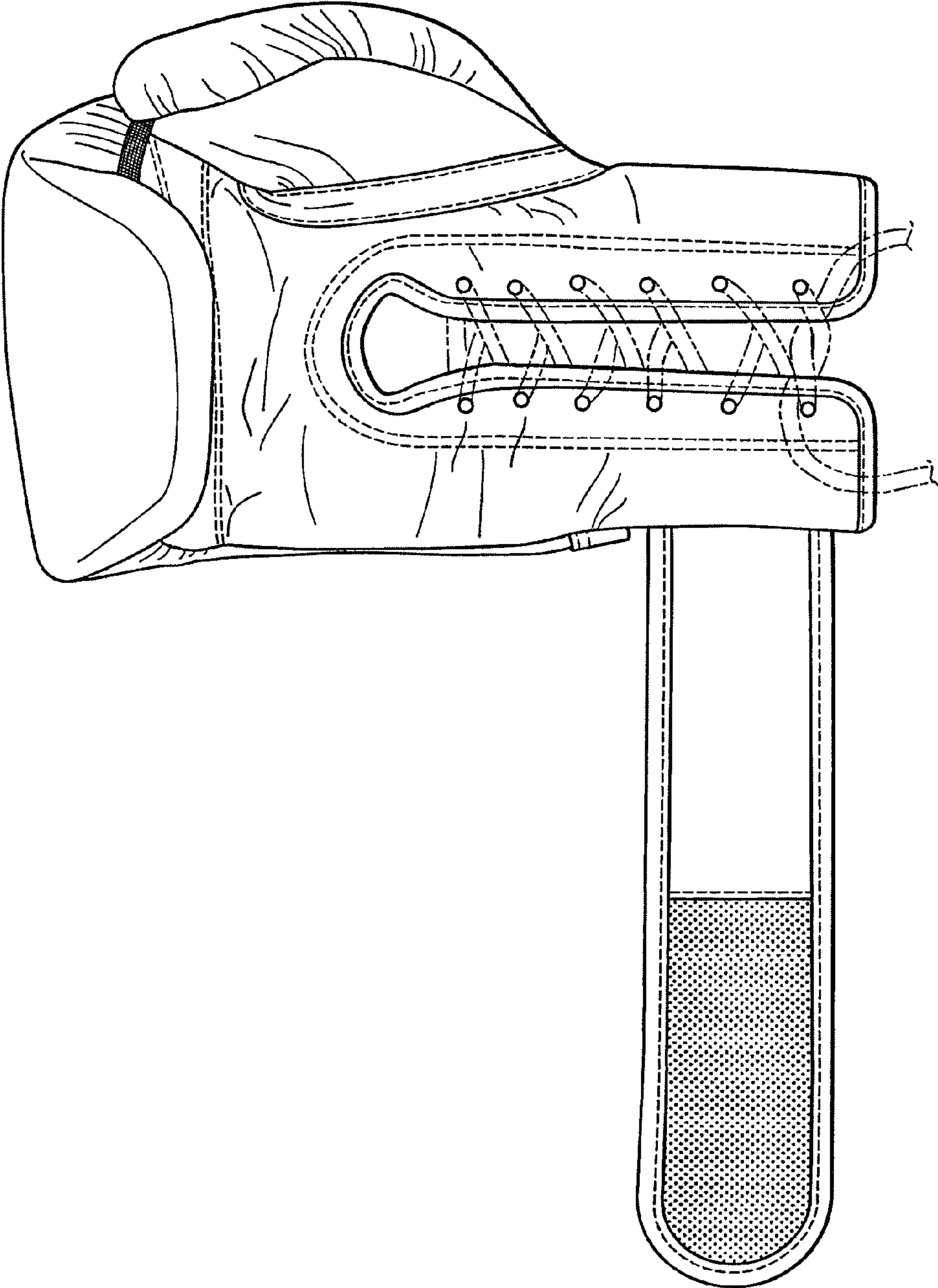


FIG. 1

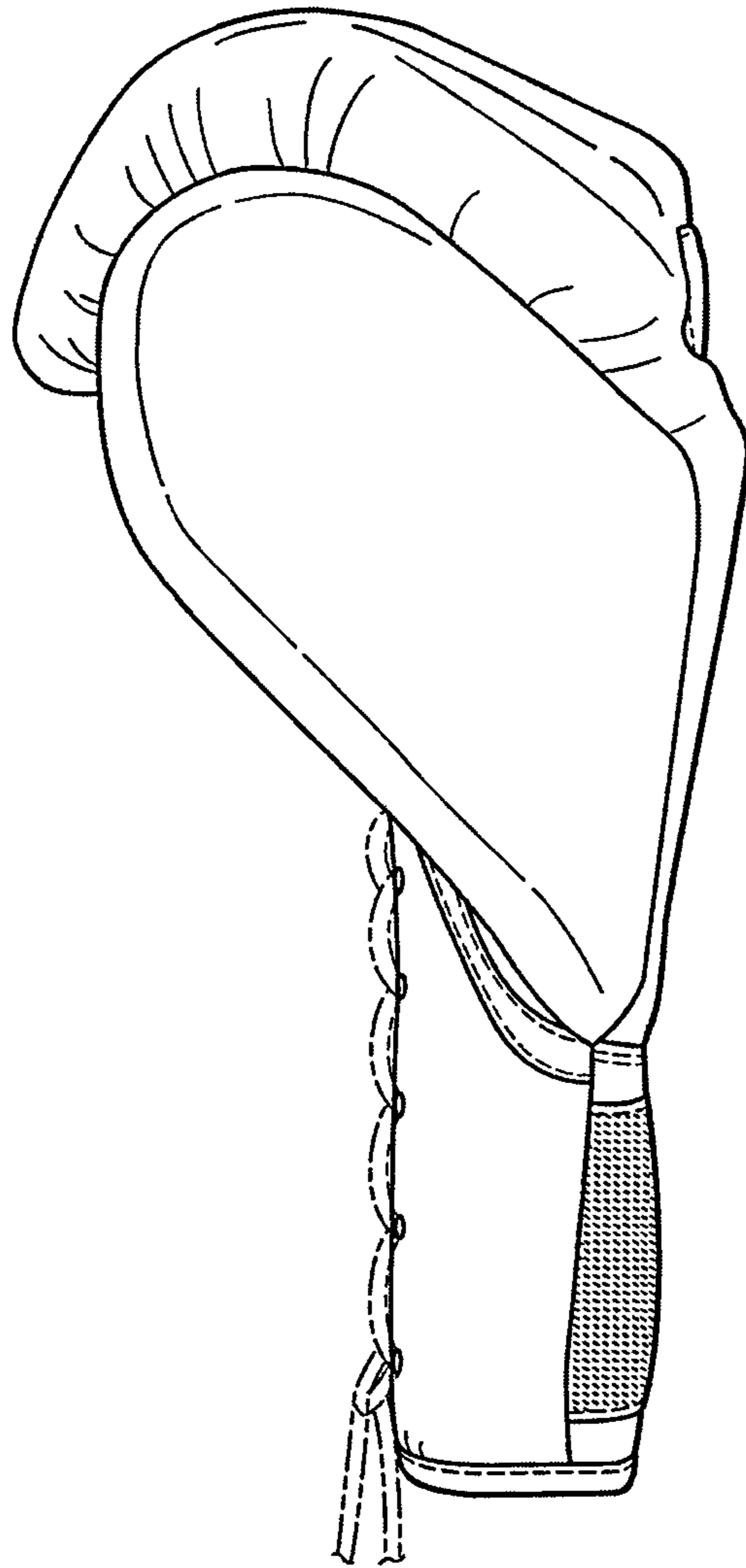


FIG. 2

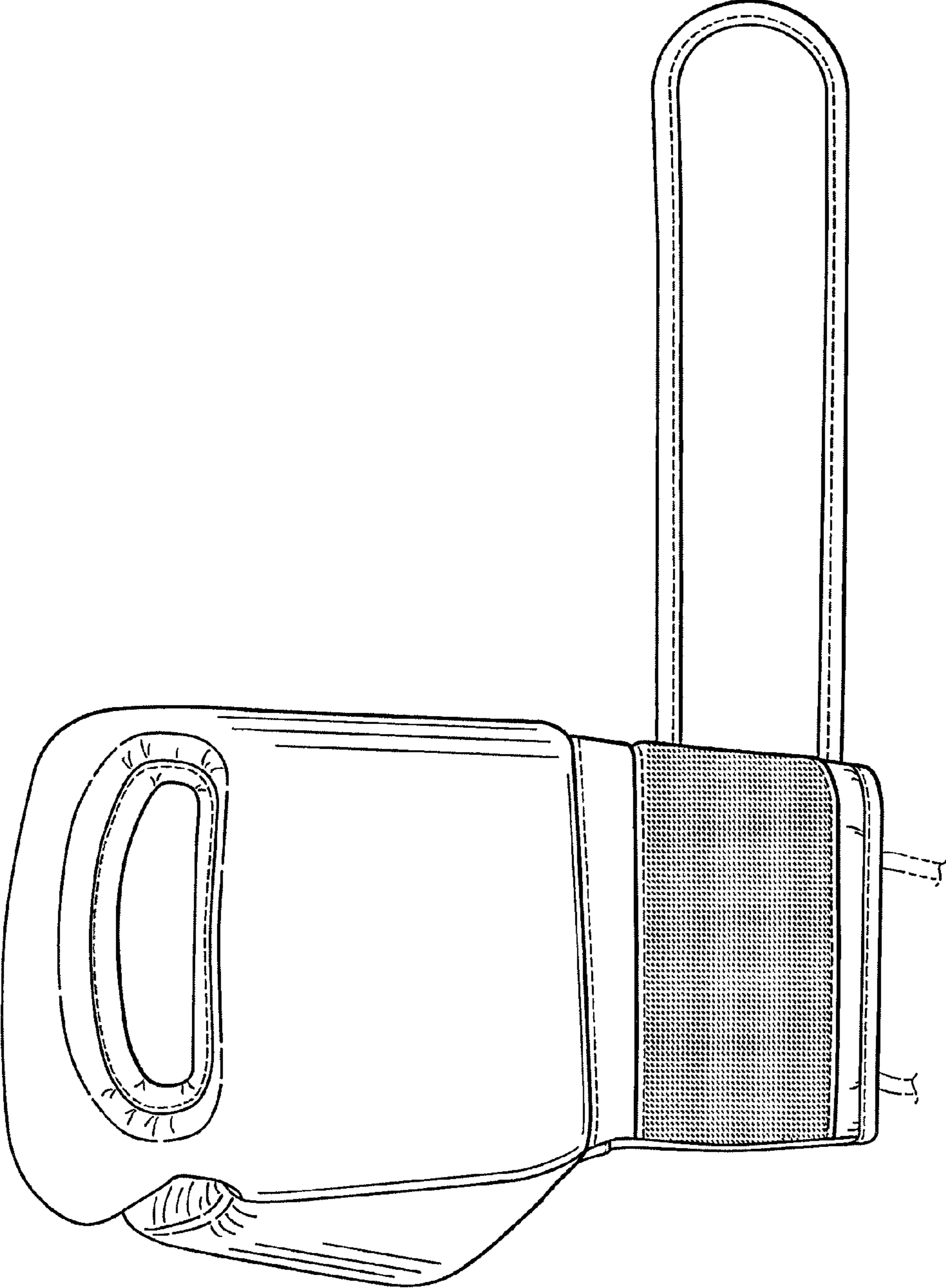


FIG. 3

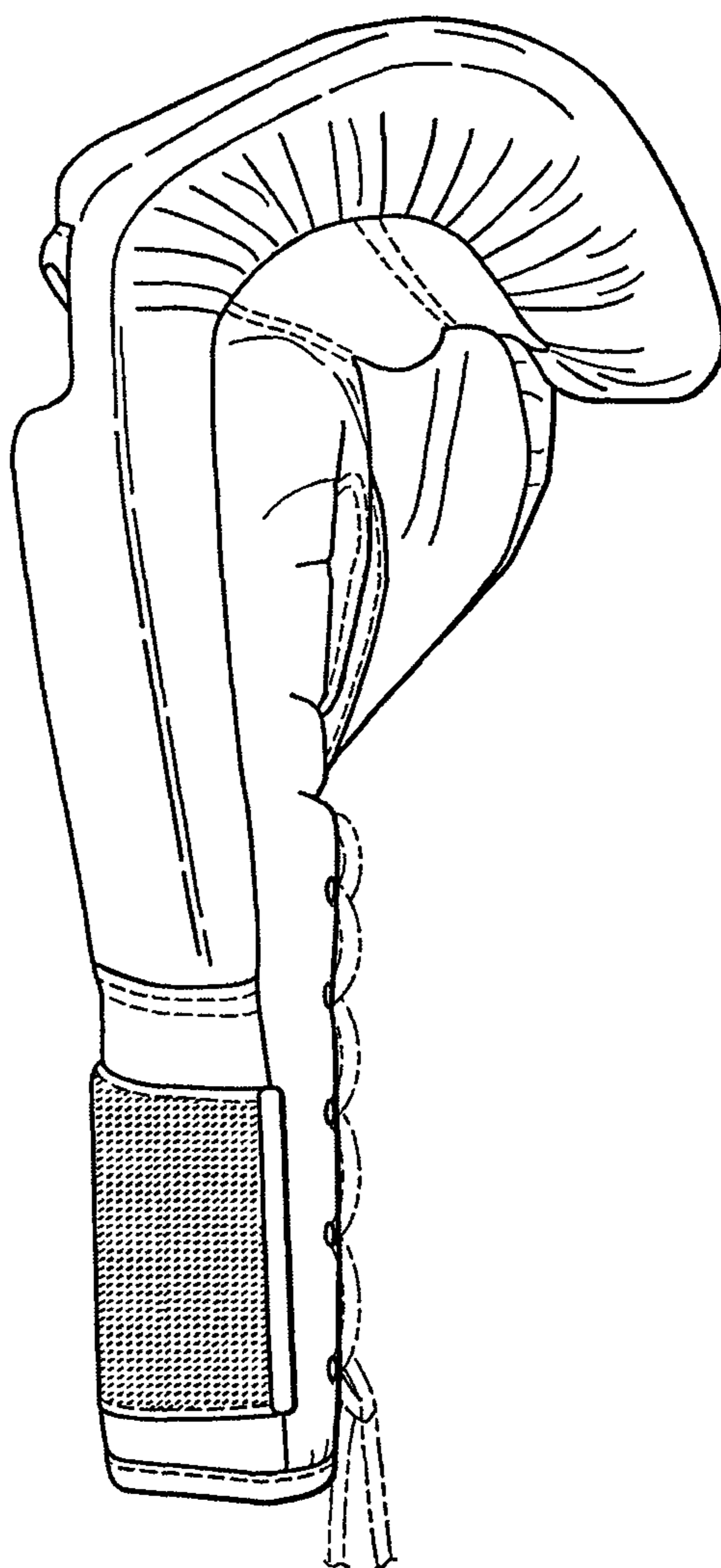


FIG. 4

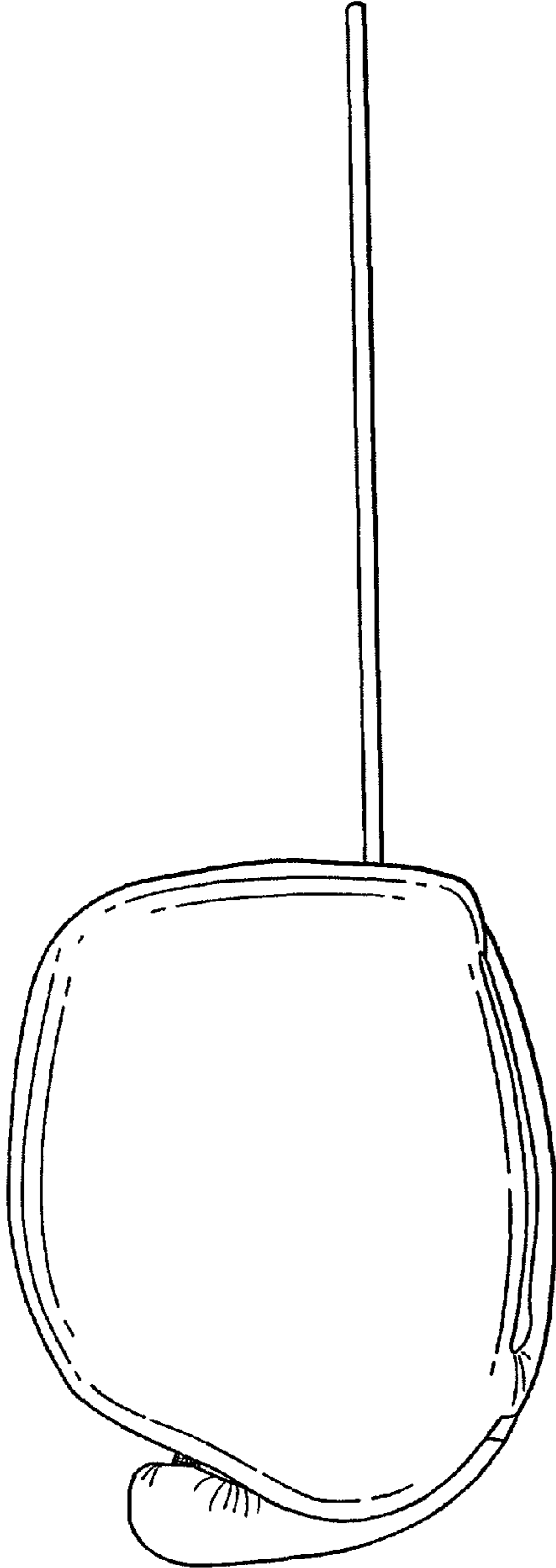


FIG. 5

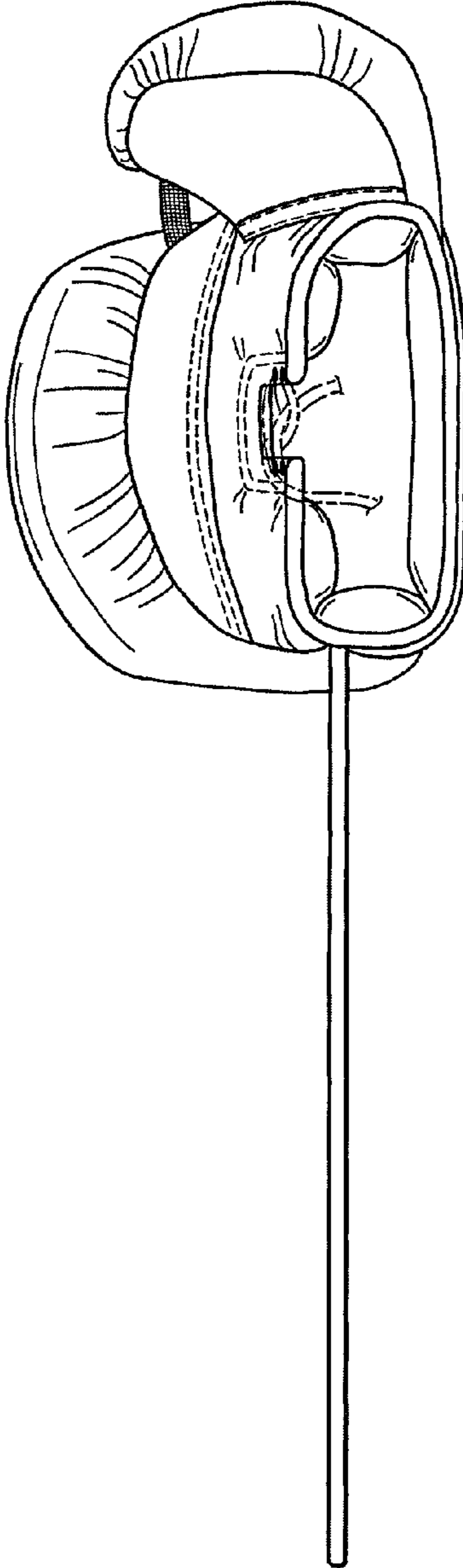


FIG. 6

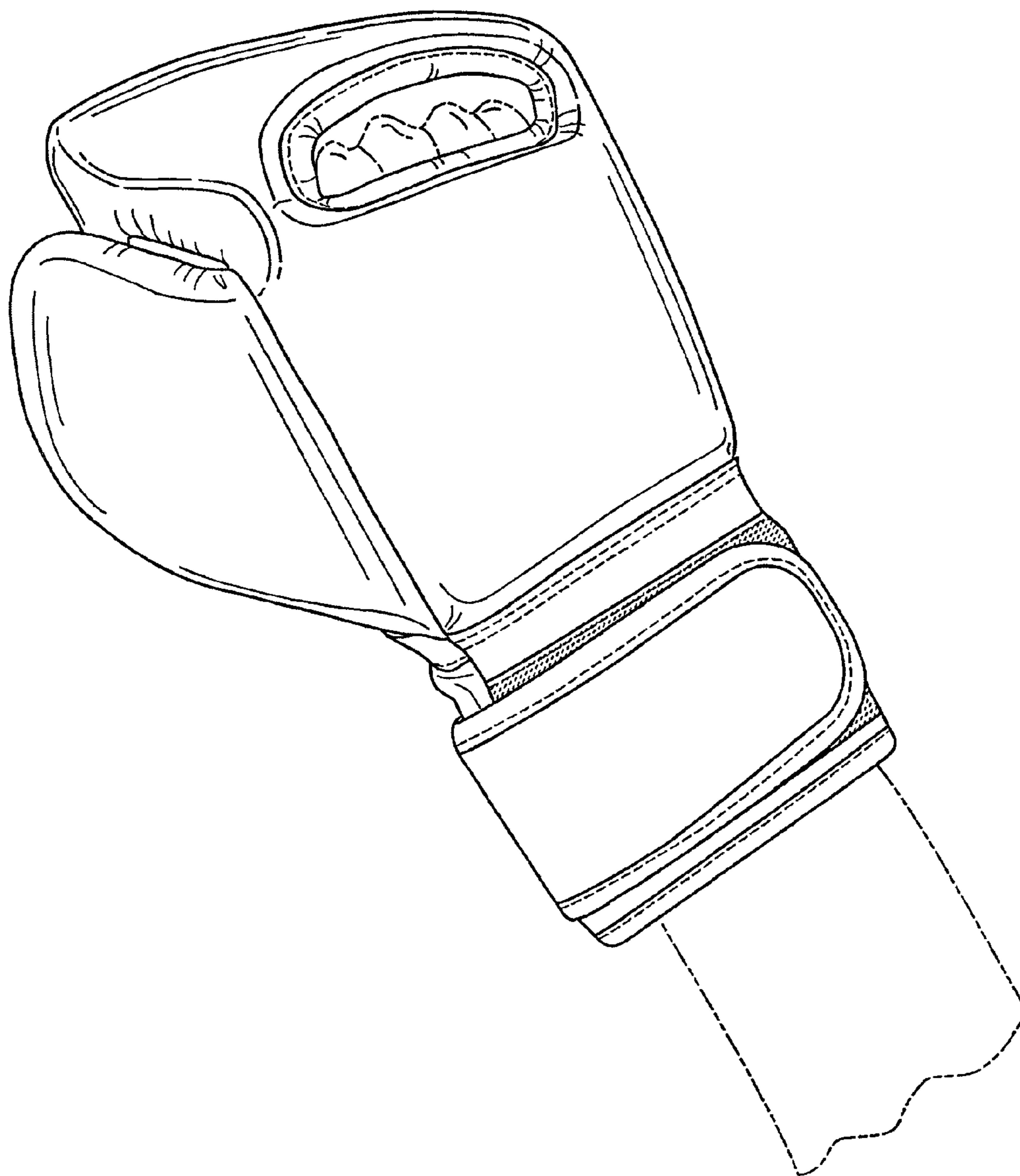


FIG. 7