



US00D732743S

(12) **United States Design Patent**
LaCasse

(10) **Patent No.:** **US D732,743 S**

(45) **Date of Patent:** **** *Jun. 23, 2015**

(54) **BELT WITH HANDLES**

(71) Applicant: **Jess LaCasse**, Lake Forest Park, WA
(US)

(72) Inventor: **Jess LaCasse**, Lake Forest Park, WA
(US)

(*) Notice: This patent is subject to a terminal disclaimer.

(**) Term: **14 Years**

(21) Appl. No.: **29/468,171**

(22) Filed: **Sep. 26, 2013**

(51) **LOC (10) Cl.** **29-02**

(52) **U.S. Cl.**
USPC **D29/100**

(58) **Field of Classification Search**
USPC D29/100, 101.1, 101.2, 101.3, 101.4,
D29/101.5; D2/627, 629; D21/683; 2/16,
2/300, 311, 312, 321; 224/660
See application file for complete search history.

(56) **References Cited**

U.S. PATENT DOCUMENTS

D191,696	S	*	11/1961	Weil	D3/226
D245,816	S	*	9/1977	Conti et al.	D29/101.5
4,396,013	A	*	8/1983	Hasslinger	128/845
4,411,222	A	*	10/1983	Wolfson	2/300
4,413,358	A	*	11/1983	Jimenez	2/321
5,081,719	A	*	1/1992	Donnelly	2/311
5,152,013	A	*	10/1992	Johnson	2/321
D374,546	S	*	10/1996	Luna	D29/101.5
D457,688	S		5/2002	Cordero	D29/100
6,567,992	B2	*	5/2003	Ross	2/311

D480,535	S	*	10/2003	Hammond	D2/627
D500,393	S		12/2004	Beacham	D29/100
D515,245	S		2/2006	Wartick	D29/100
D519,715	S	*	5/2006	Curran	D2/639
D661,432	S		6/2012	LaCasse	D29/100

* cited by examiner

Primary Examiner — Randall Gholson

(74) *Attorney, Agent, or Firm* — Lee & Hayes, PLLC; C. Rachal Winger

(57) **CLAIM**

The ornamental design for a belt with handles, as shown and described.

DESCRIPTION

FIG. 1 is a perspective view of a belt with handles showing my new design in a configuration in which it is intended to be worn;

FIG. 2 is a side view of a belt with handles showing my new design in a configuration in which it is intended to be worn;

FIG. 3 is a front view of a belt with handles showing my new design in a configuration in which it is intended to be worn;

FIG. 4 is a back view of a belt with handles showing my new design in a configuration in which it is intended to be worn;

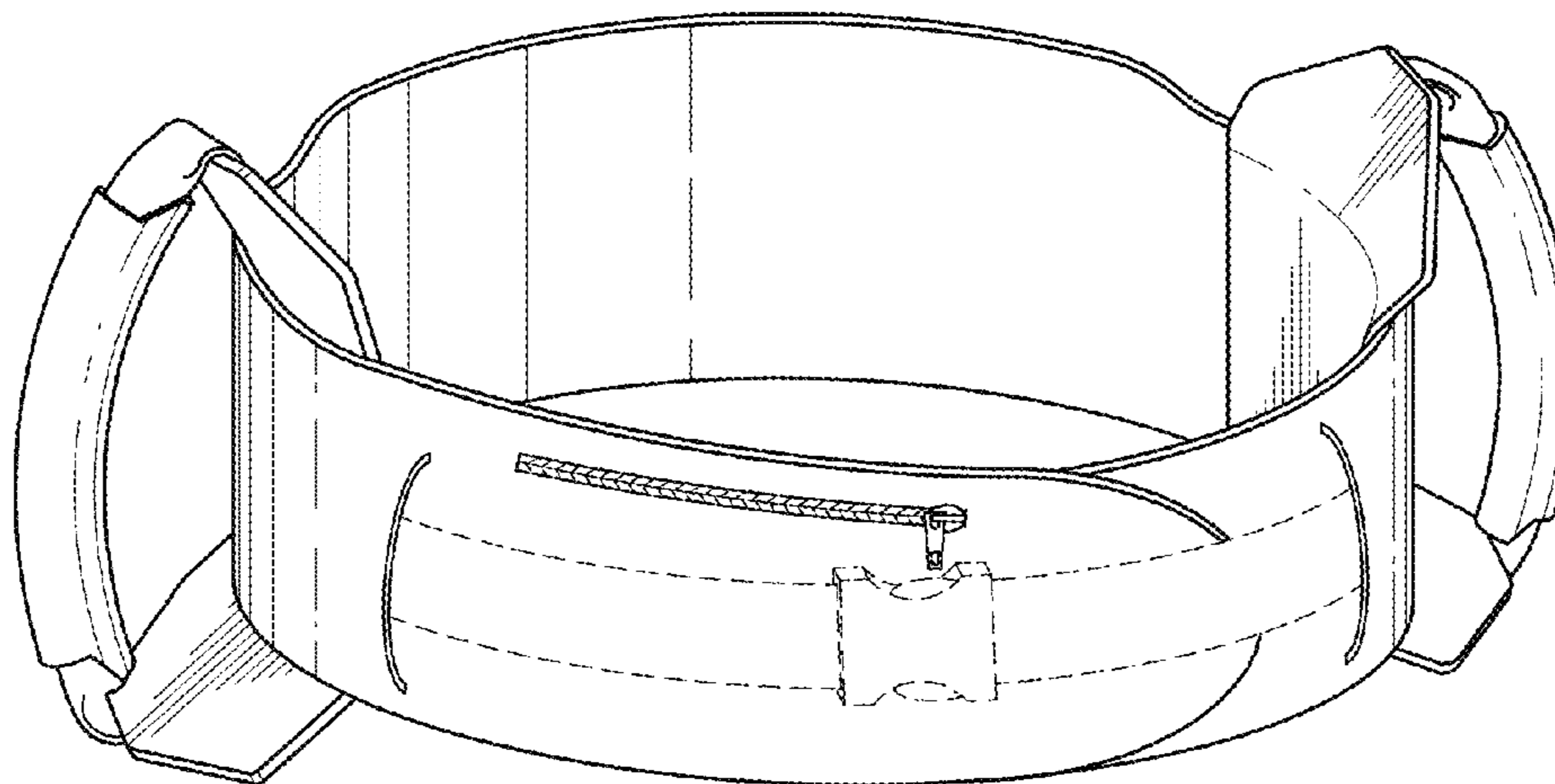
FIG. 5 is a top plan view of a belt with handles showing my new design in a configuration in which it is intended to be worn;

FIG. 6 is a view of the interior of a belt with handles showing my new design; and,

FIG. 7 is a view of the exterior of a belt with handles showing my new design.

The broken lines shown on the drawings are included for the purpose of illustrating unclaimed subject matter and form no part of the claimed design.

1 Claim, 4 Drawing Sheets



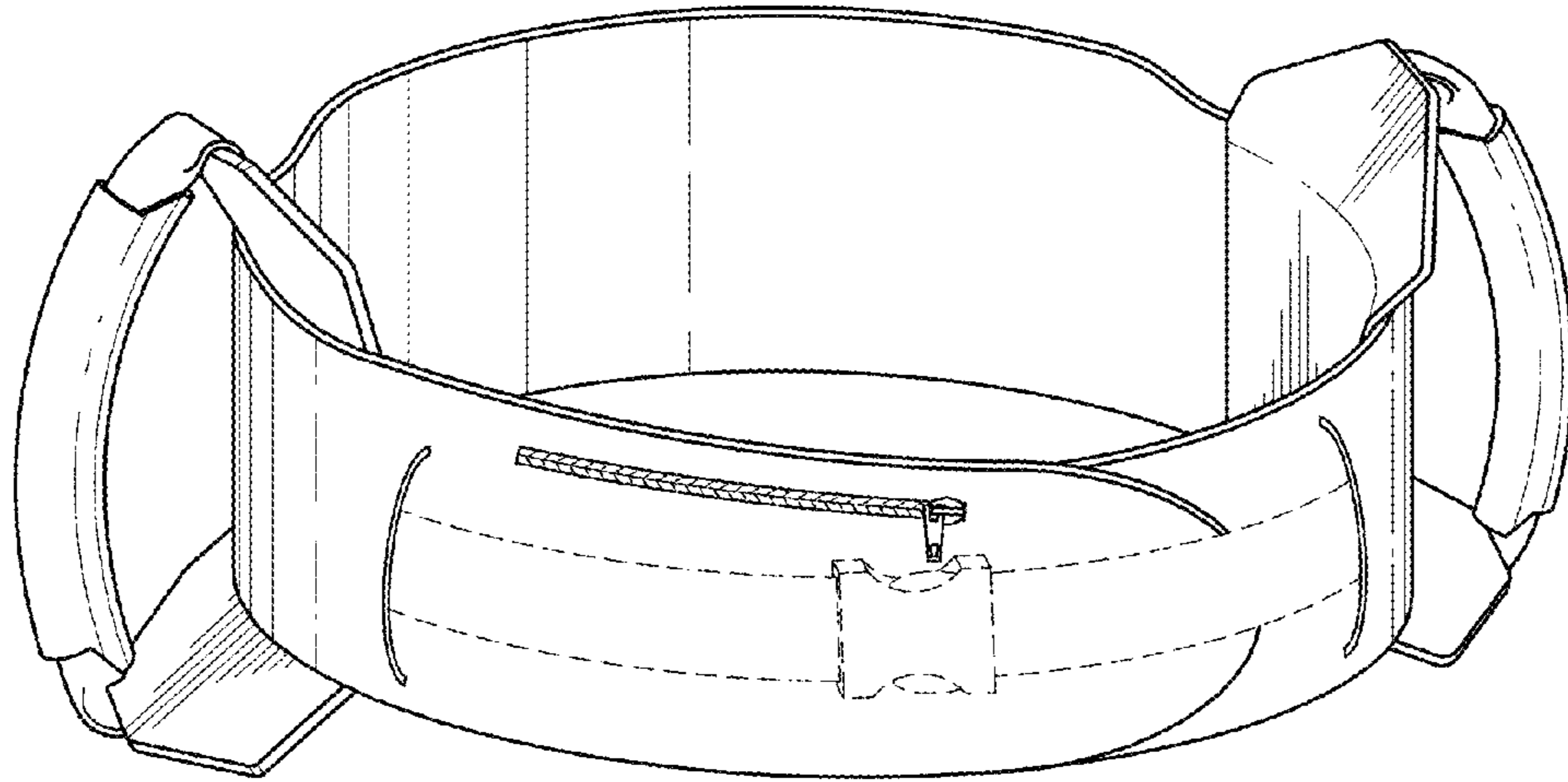


FIG. 1

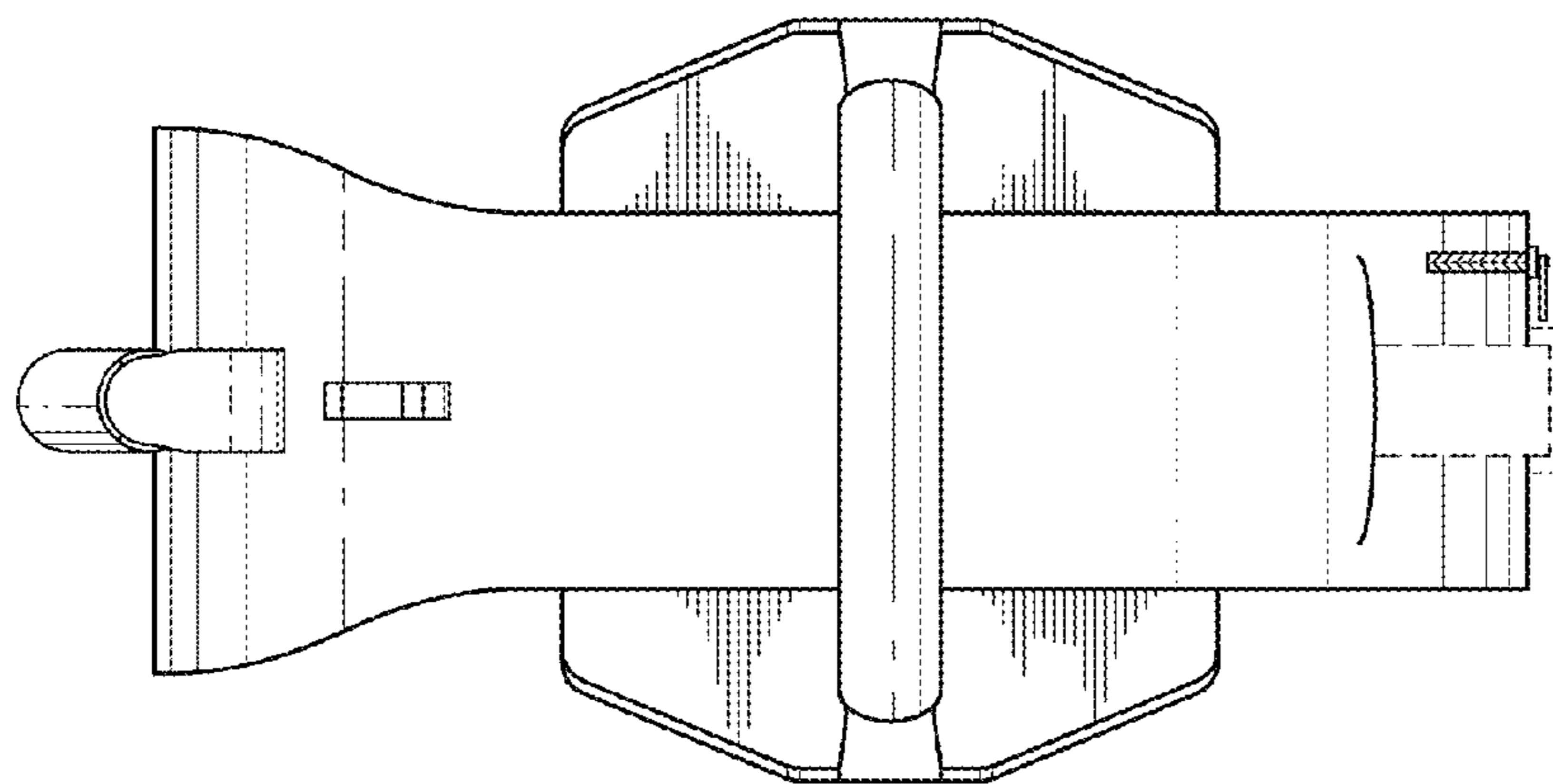


FIG. 2

FIG. 3

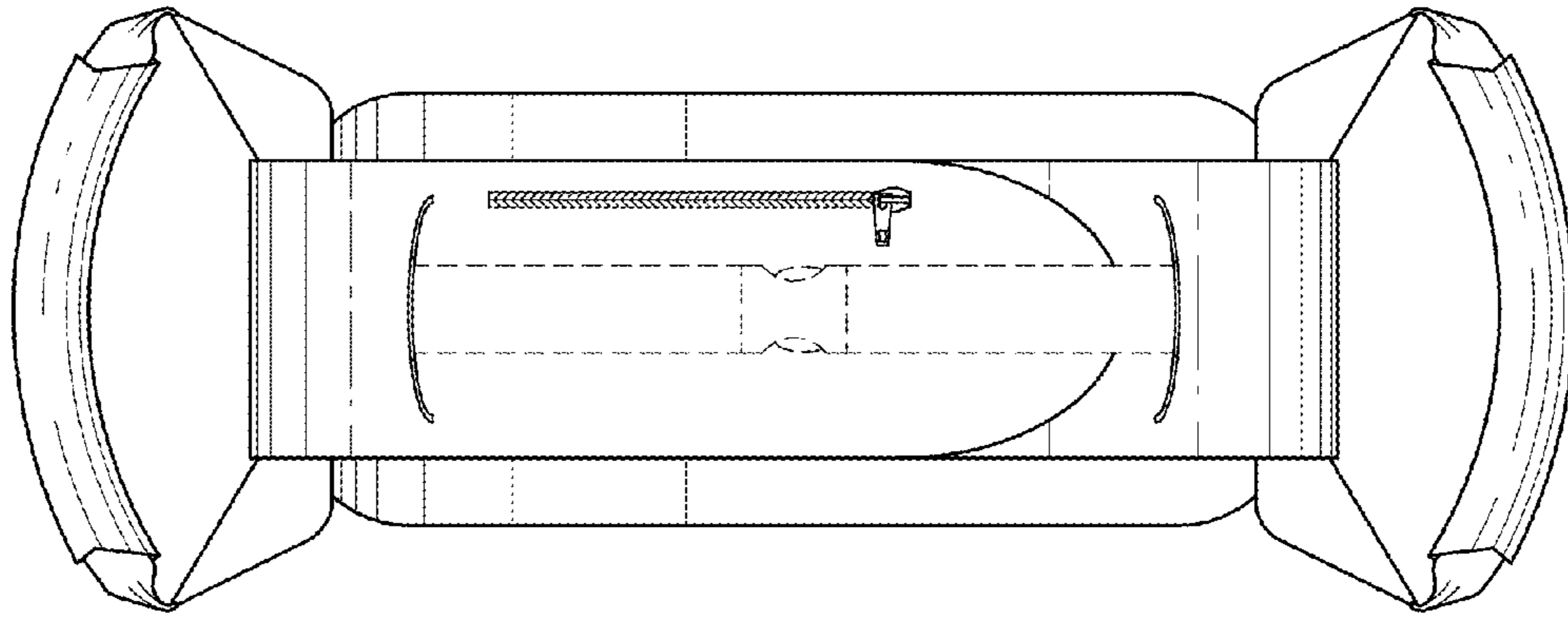


FIG. 4

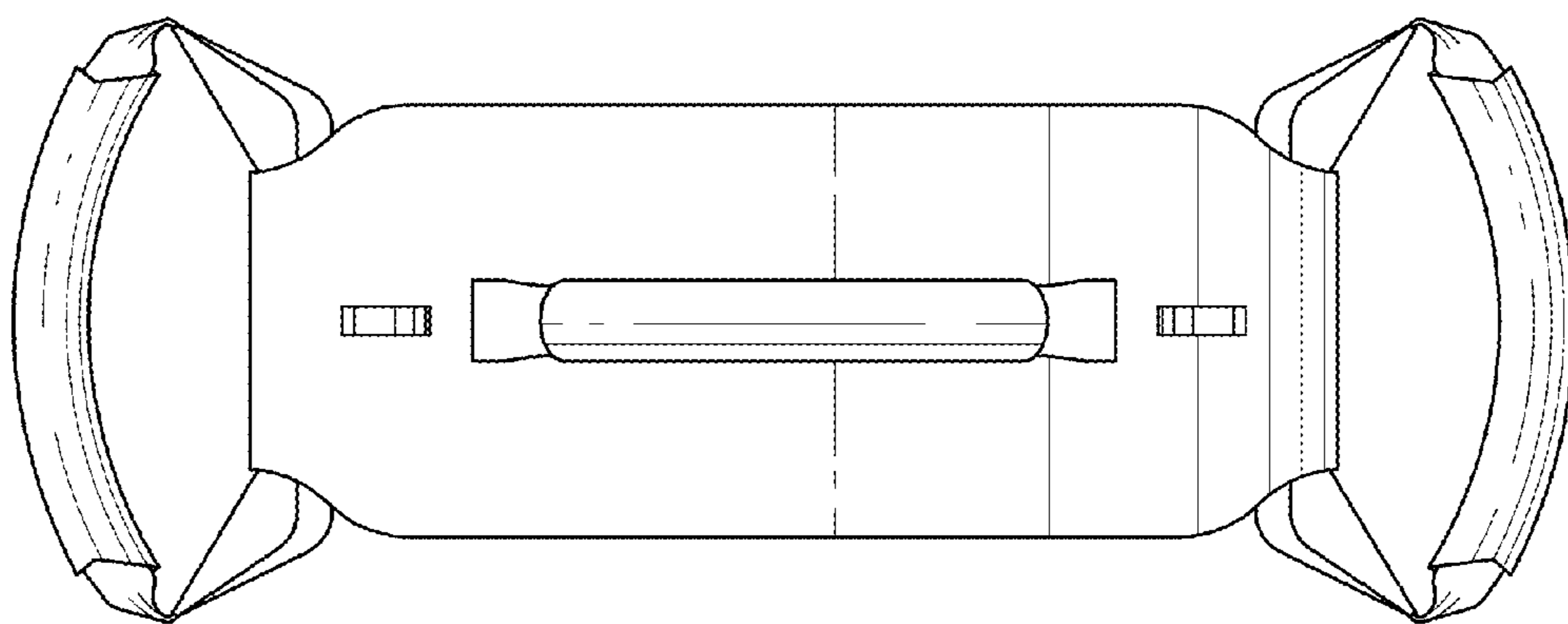
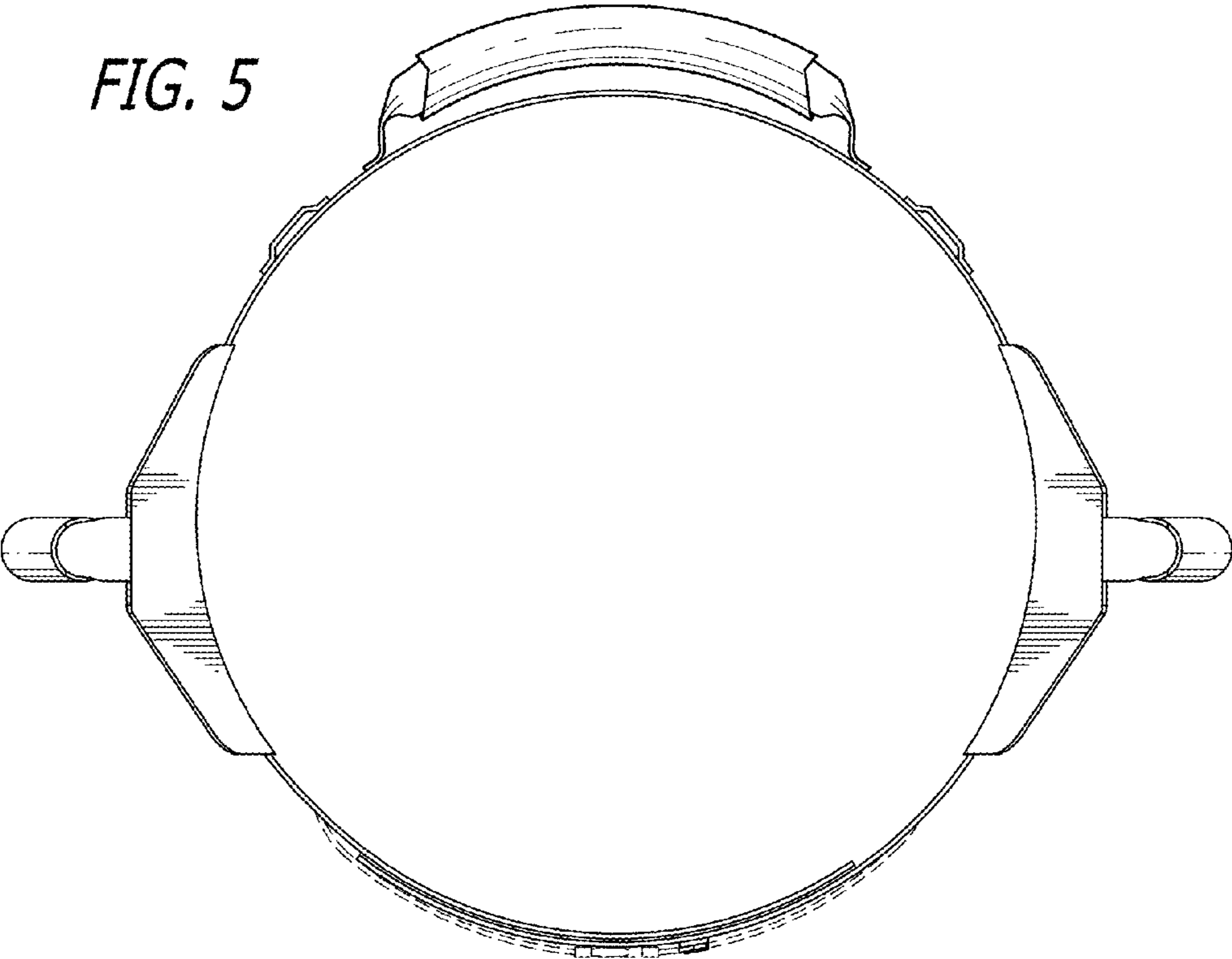


FIG. 5



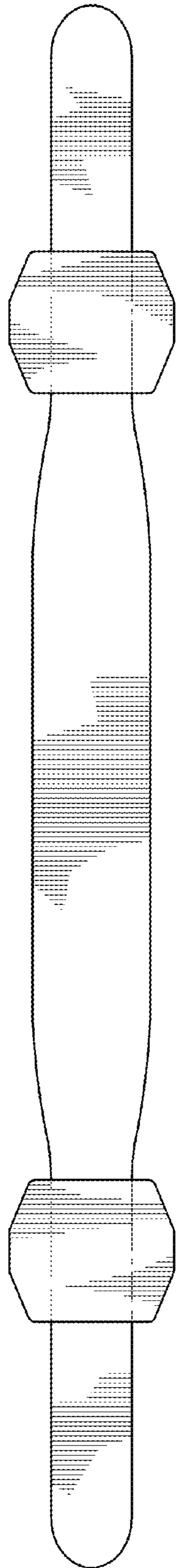


FIG. 6

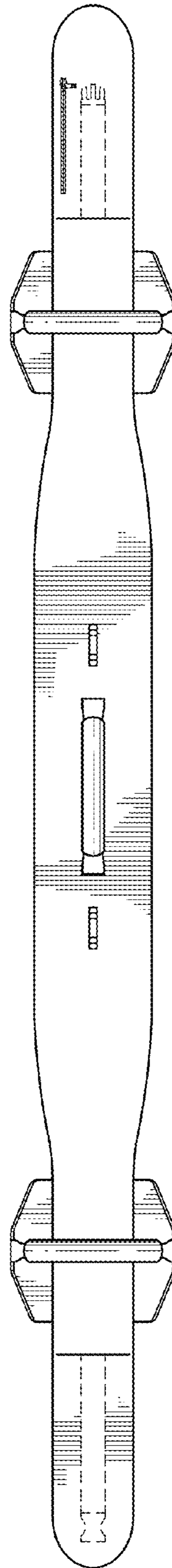


FIG. 7