



US00D732740S

(12) **United States Design Patent**
Yoon

(10) **Patent No.:** **US D732,740 S**
(45) **Date of Patent:** **** Jun. 23, 2015**

(54) **COMPACT**
(71) Applicant: **AMOREPACIFIC CORPORATION,**
Seoul (KR)
(72) Inventor: **Young Jae Yoon,** Seoul (KR)
(73) Assignee: **Amorepacific Corporation,** Seoul (KR)
(**) Term: **14 Years**

D473,344 S * 4/2003 Thorpe D28/82
6,961,977 B2 * 11/2005 Seidler 16/320
D554,292 S * 10/2007 Thorpe D28/82
7,351,215 B1 * 4/2008 Roberts 601/70
D622,003 S * 8/2010 Naughton et al. D28/82
D631,608 S * 1/2011 Pires et al. D28/82
D699,112 S * 2/2014 Jung D9/504
D718,903 S * 12/2014 Parker D28/82
D721,853 S * 1/2015 Koo D28/82
D722,404 S * 2/2015 Son D28/82
D722,405 S * 2/2015 Hwang D28/82

(21) Appl. No.: **29/480,626**
(22) Filed: **Jan. 28, 2014**
(51) **LOC (10) Cl.** **28-03**
(52) **U.S. Cl.**
USPC **D28/82**
(58) **Field of Classification Search**
USPC D28/78, 82, 83, 81, 77, 79, 84, 76, 64.1,
D28/64.3, 73; D3/275, 901, 205, 274;
D9/503-505; 132/312-318, 286-307;
206/581, 457, 823
CPC A45D 40/22; A45D 40/221-40/222;
A45D 2040/223-2040/228; A45D 40/24;
A45D 33/03; A45D 33/006; A45D 33/008;
A45D 42/02
See application file for complete search history.

* cited by examiner

Primary Examiner — Jennifer Rivard

Assistant Examiner — April Rivas

(74) *Attorney, Agent, or Firm* — Gable Gotwals

(56) **References Cited**
U.S. PATENT DOCUMENTS

H1855 H * 8/2000 Litton et al. D28/82
D441,144 S * 4/2001 Vanoncini D28/82

(57) **CLAIM**

I claim the ornamental design for a compact, as shown and described.

DESCRIPTION

FIG. 1 is a perspective view of new design for a compact as shown in the drawings;
FIG. 2 is a front elevation view;
FIG. 3 is a rear elevation view;
FIG. 4 is a left side view;
FIG. 5 is a right side view;
FIG. 6 is a top plan view; and,
FIG. 7 is a bottom plan view.

1 Claim, 7 Drawing Sheets

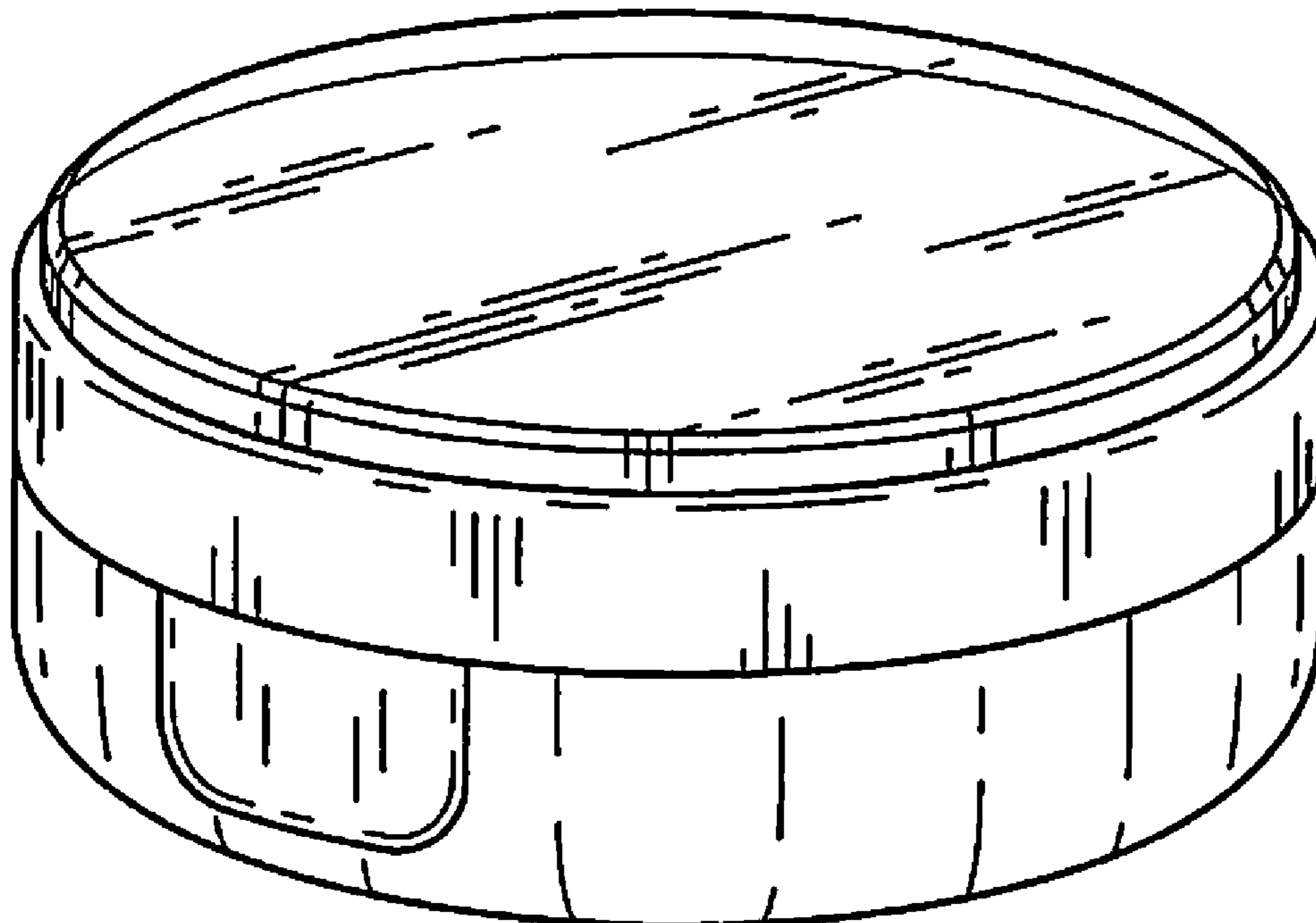


FIG. 1

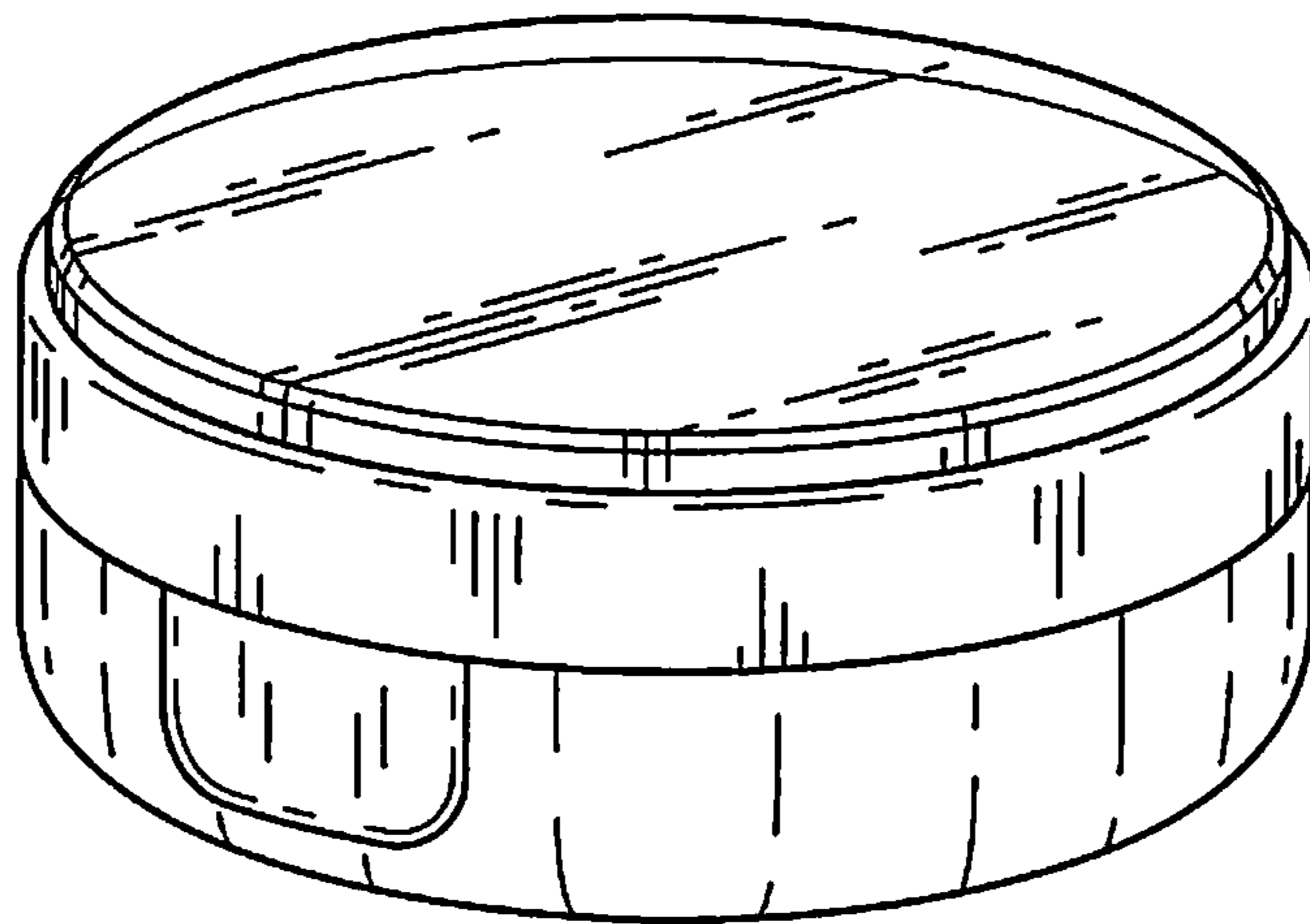


FIG. 2

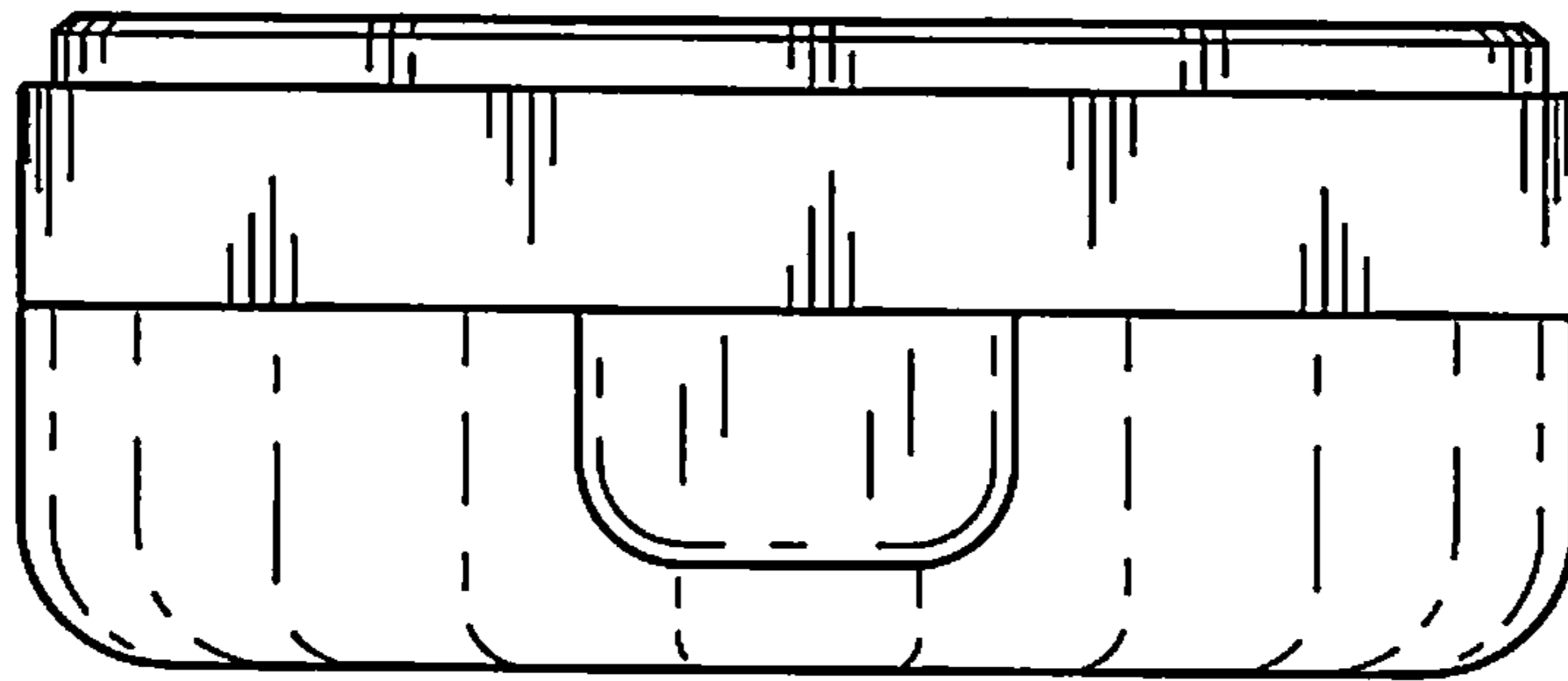


FIG. 3

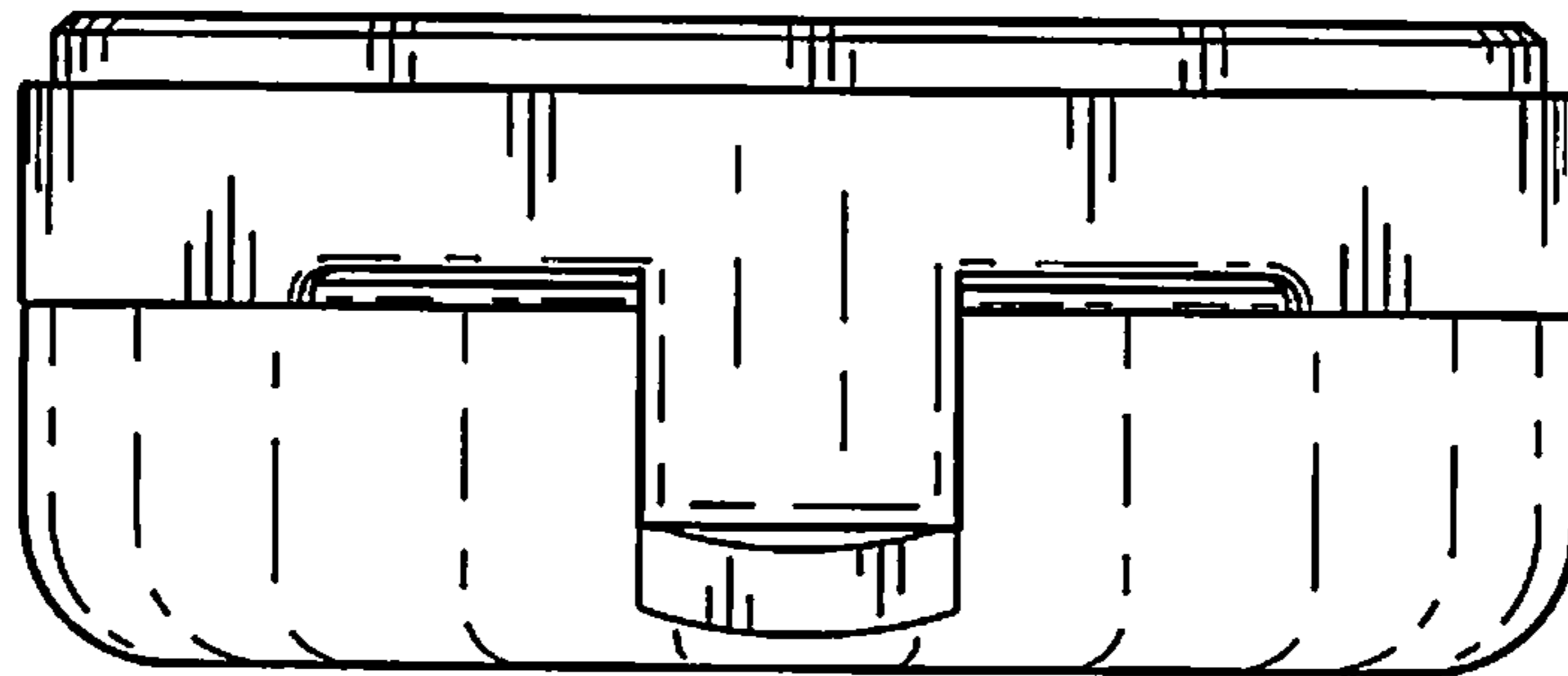


FIG. 4

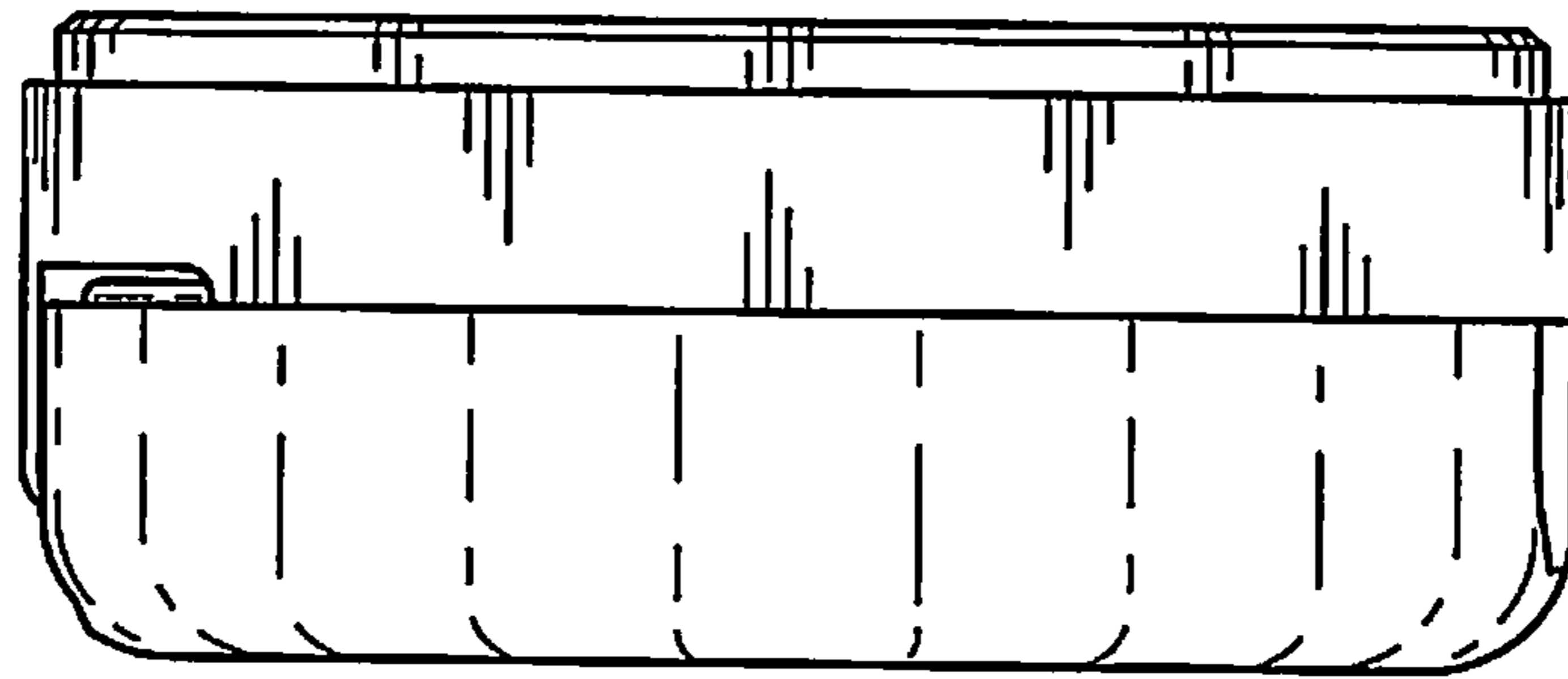


FIG. 5

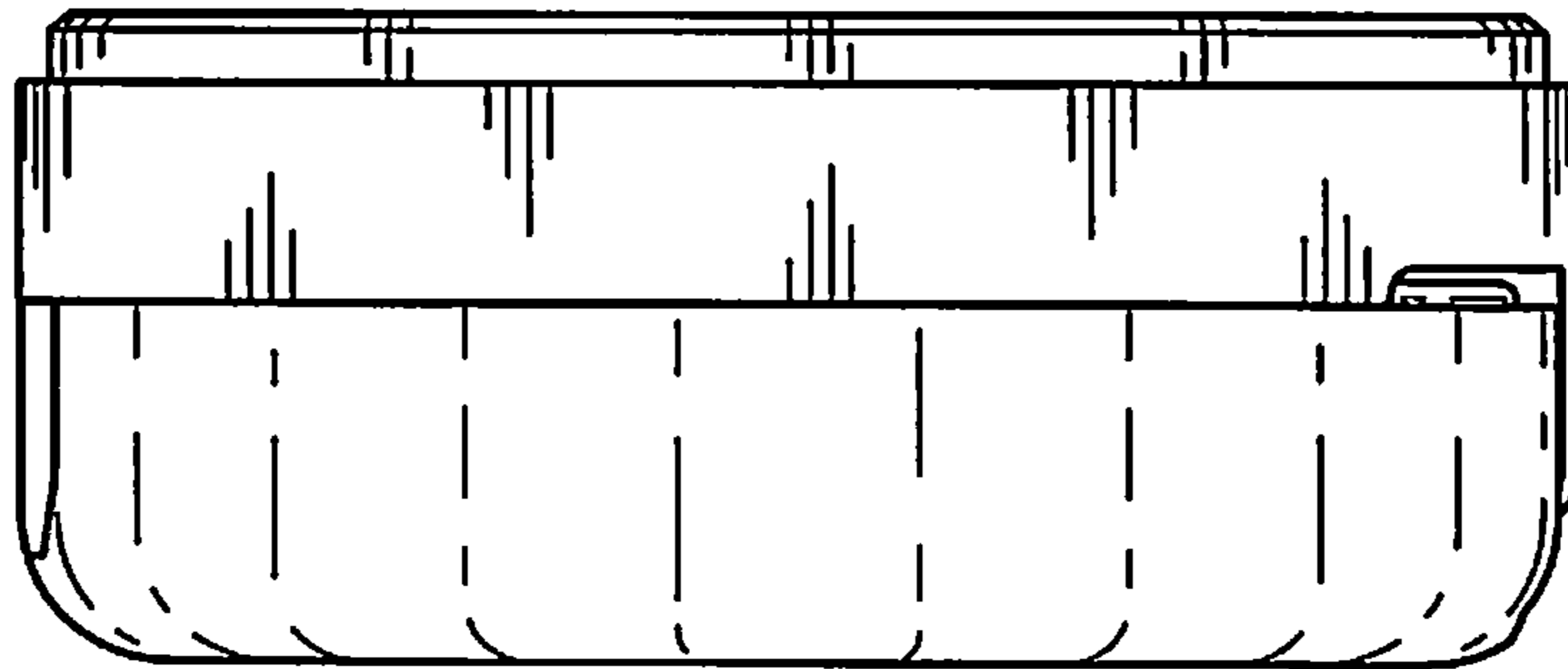


FIG. 6

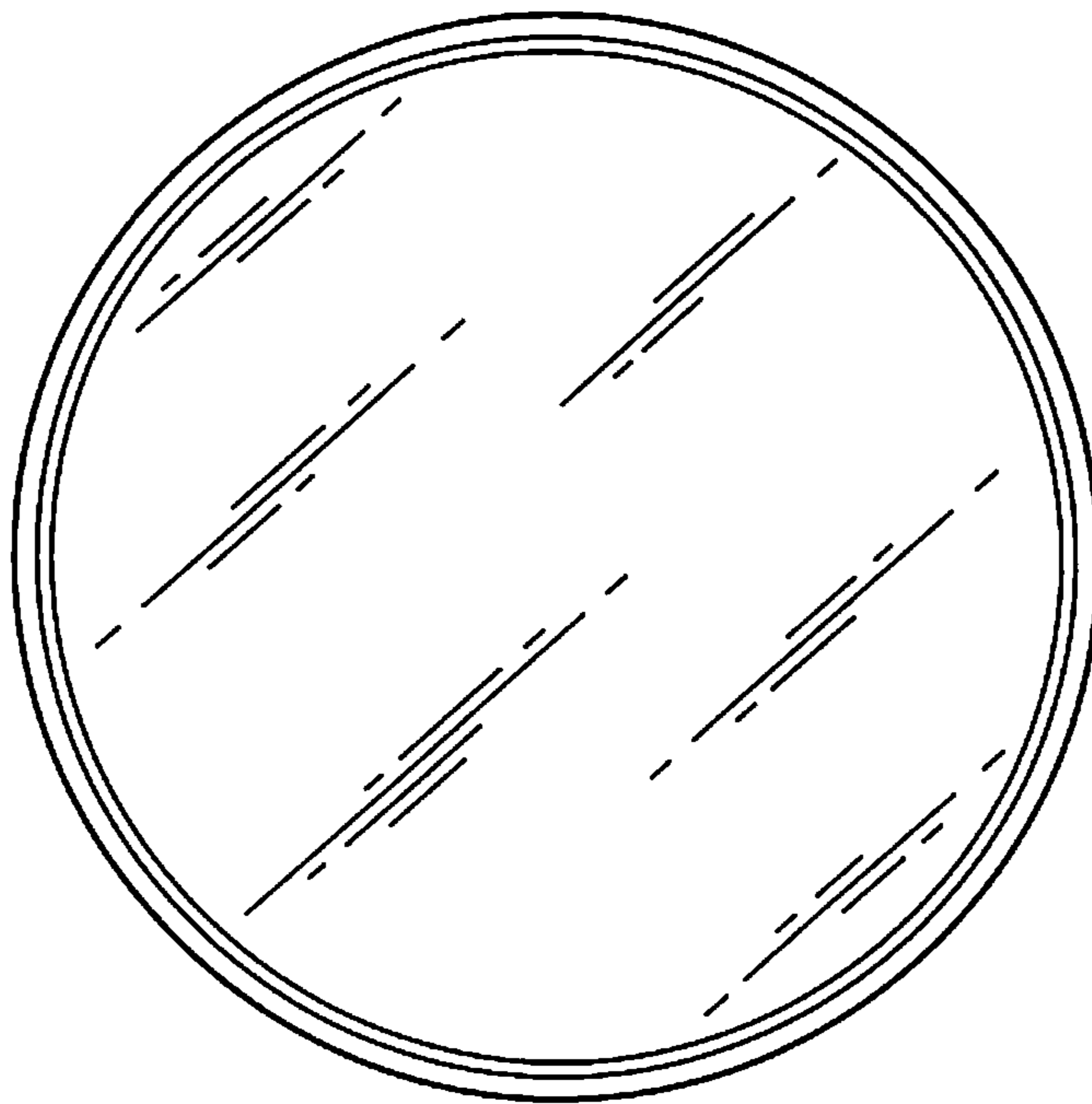


FIG. 7

