



US00D732736S

(12) **United States Design Patent**  
**Hefetz et al.**

(10) **Patent No.:** **US D732,736 S**  
(45) **Date of Patent:** **\*\* Jun. 23, 2015**

(54) **HAIR READER**

(71) Applicant: **ColoRight Ltd.**, Rehovot (IL)

(72) Inventors: **Joseph Hefetz**, Tel-Aviv (IL); **Yuri Movshovich**, Ramat-Gan (IL)

(73) Assignee: **COLORIGHT LTD.**, Rehovot

(\*\*) Term: **14 Years**

(21) Appl. No.: **29/433,309**

(22) Filed: **Sep. 27, 2012**

(51) **LOC (10) Cl.** ..... **28-03**

(52) **U.S. Cl.**  
USPC ..... **D28/10**

(58) **Field of Classification Search**  
USPC ..... D28/9-10; D24/133, 144, 209-210;  
235/462.44-462.49; 132/200  
See application file for complete search history.

(56) **References Cited**

U.S. PATENT DOCUMENTS

5,256,866 A \* 10/1993 Conversano et al. .... 235/472.03  
5,424,525 A \* 6/1995 Rockstein et al. .... 235/462.31

(Continued)

*Primary Examiner* — Jennifer Rivard

(74) *Attorney, Agent, or Firm* — Marc Van Dyke; 4th Dimension IP

(57) **CLAIM**

The ornamental design for an hair reader, as shown and described.

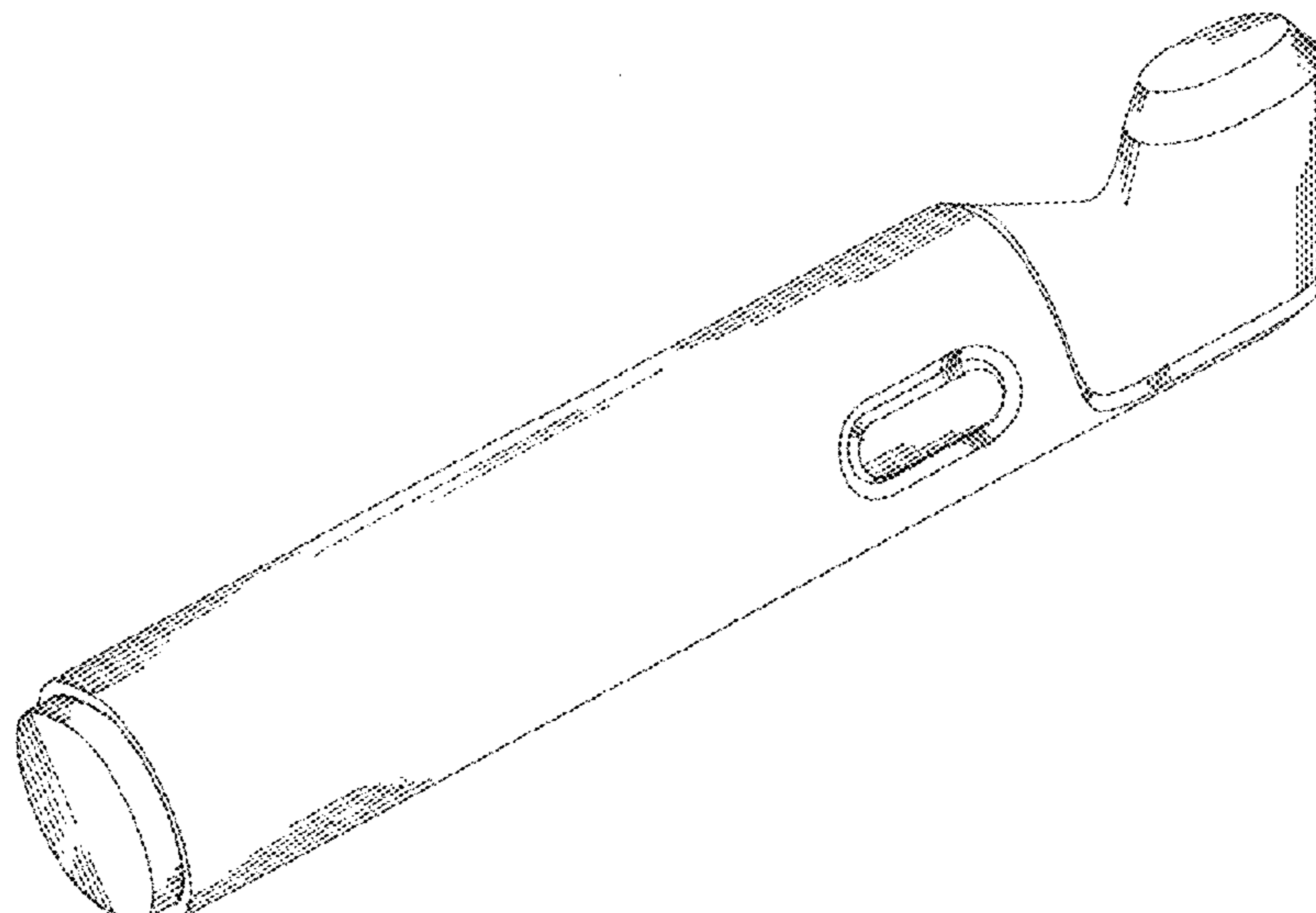
**DESCRIPTION**

FIG. 1 is a right side view of a hair reader according to a first embodiment;

FIG. 2 is a rear view of the hair reader shown in FIG. 1;  
FIG. 3 is a left side view of the hair reader shown in FIG. 1;  
FIG. 4 is a front view of the hair reader shown in FIG. 1;  
FIG. 5 is a top view of the hair reader shown in FIG. 1;  
FIG. 6 is a bottom view of the hair reader shown in FIG. 1;  
FIG. 7 is a first perspective view of the hair reader shown in FIG. 1;  
FIG. 8 is a second perspective view of the hair reader shown in FIG. 1;  
FIG. 9 is a right side view of a hair reader according to a second embodiment;  
FIG. 10 is a rear view of the hair reader shown in FIG. 9;  
FIG. 11 is a left side view of the hair reader shown in FIG. 9;  
FIG. 12 is a front view of the hair reader shown in FIG. 9;  
FIG. 13 is a top view of the hair reader shown in FIG. 9;  
FIG. 14 is a bottom view of the hair reader shown in FIG. 9;  
FIG. 15 is a first perspective view of the hair reader shown in FIG. 9;  
FIG. 16 is a second perspective view of the hair reader shown in FIG. 9;  
FIG. 17 is a right side view of a hair reader according to a third embodiment;  
FIG. 18 is a rear view of the hair reader shown in FIG. 17;  
FIG. 19 is a left side view of the hair reader shown in FIG. 17;  
FIG. 20 is a front view of the hair reader shown in FIG. 17;  
FIG. 21 is a top view of the hair reader shown in FIG. 17;  
FIG. 22 is a bottom view of the hair reader shown in FIG. 17;  
FIG. 23 is a first perspective view of the hair reader shown in FIG. 17; and,  
FIG. 24 is a second perspective view of the hair reader shown in FIG. 17.

The claimed design is shown in solid lines. The broken lines illustrate portions of the hair reader and form no part of the claimed design.

**1 Claim, 6 Drawing Sheets**



(56)

**References Cited**

U.S. PATENT DOCUMENTS

D457,265 S *	5/2002	Gebhard .....	D28/9	D653,811 S *	2/2012	BenZion .....	D28/44.1
D568,473 S *	5/2008	Ashiwa et al. ....	D24/146	D656,620 S *	3/2012	Altshuler et al. ....	D24/209
D604,855 S *	11/2009	Shearlaw et al. ....	D24/186	8,360,973 B2 *	1/2013	Bazin et al. ....	600/300
D646,396 S *	10/2011	Seki et al. ....	D24/209	D695,903 S *	12/2013	Tamsiran .....	D24/209
D652,514 S *	1/2012	Sherwood et al. ....	D24/133	2009/0014523 A1 *	1/2009	Zhu et al. ....	235/462.46
D652,919 S *	1/2012	Sherwood et al. ....	D24/133	2012/0090725 A1 *	4/2012	Saranow .....	141/1
				2013/0123973 A1 *	5/2013	Saranow et al. ....	700/233
				2013/0334315 A1 *	12/2013	Vinogradov et al. ....	235/462.42

\* cited by examiner

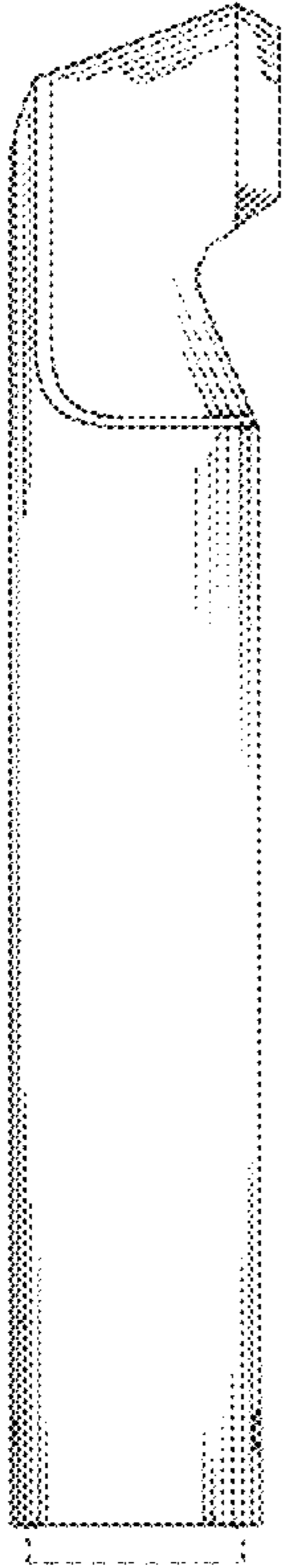


FIG. 1

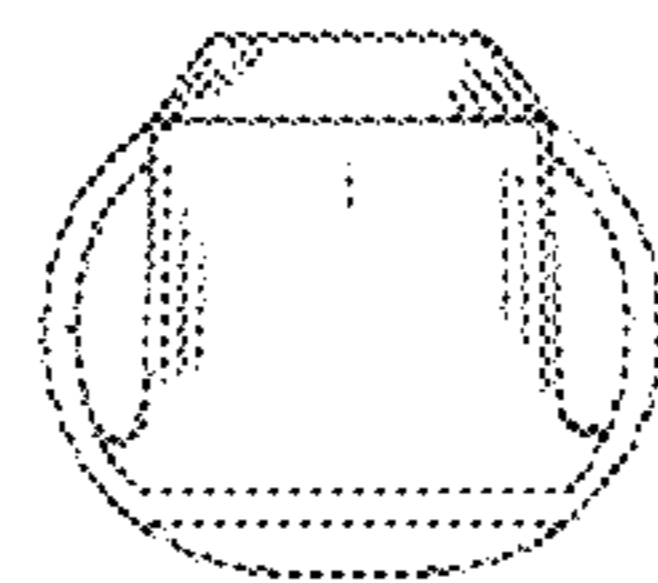


FIG. 5

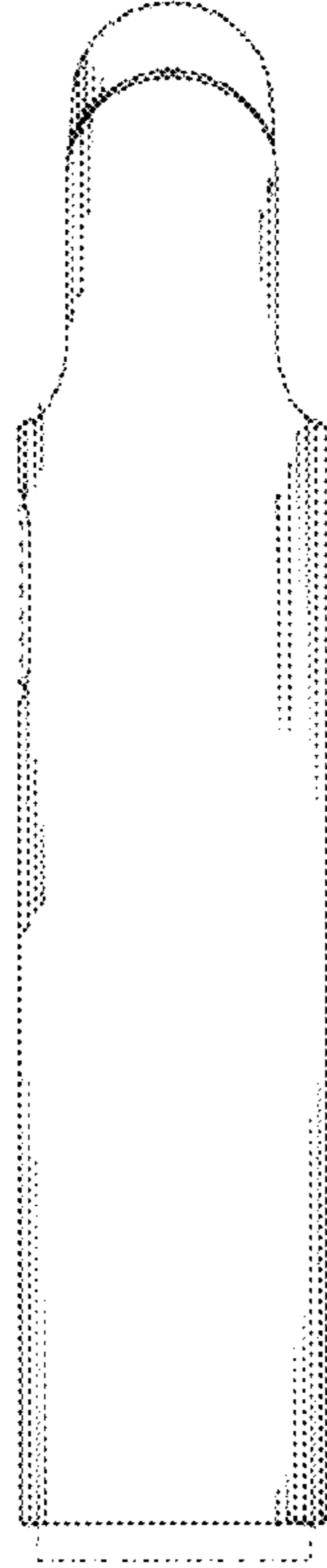


FIG. 2

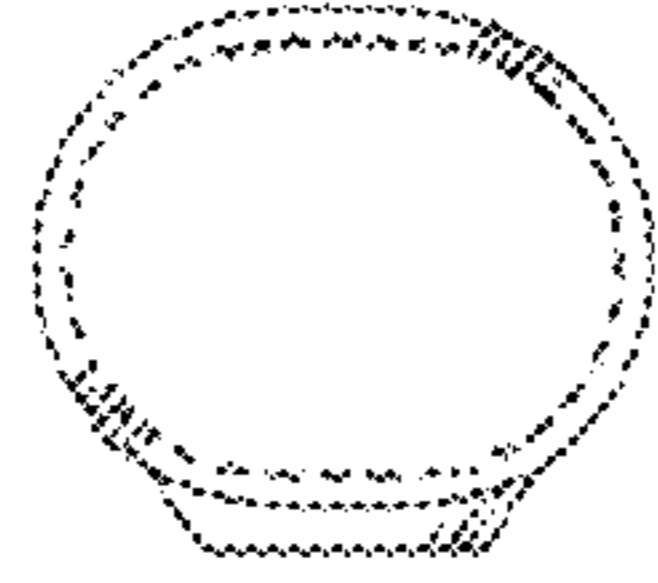


FIG. 6

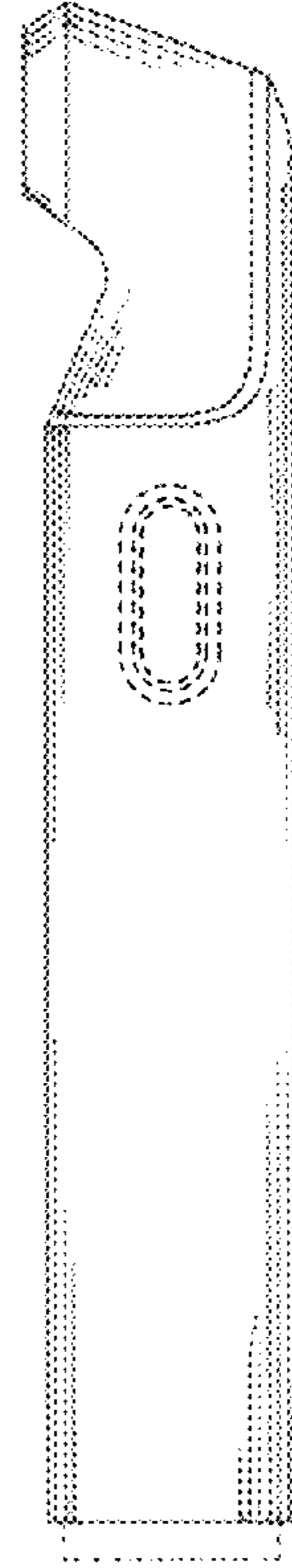


FIG. 3

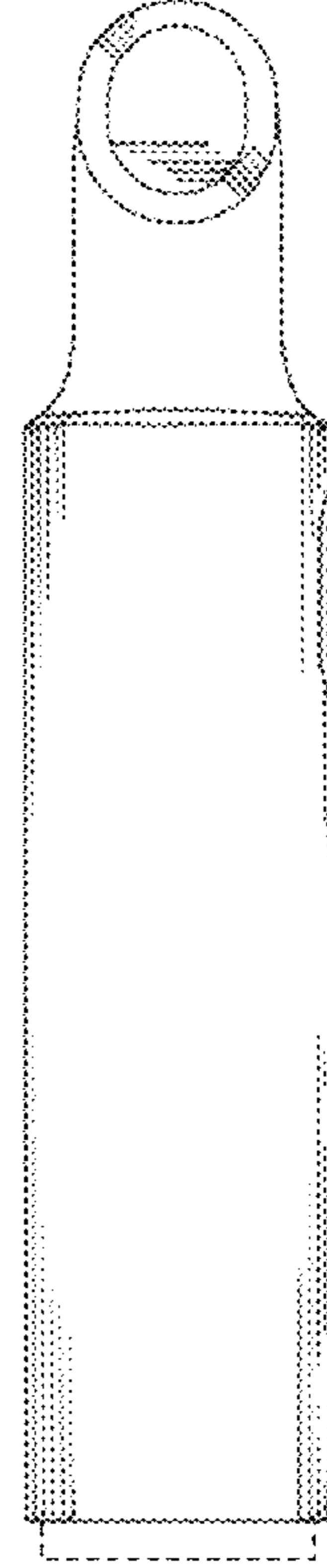
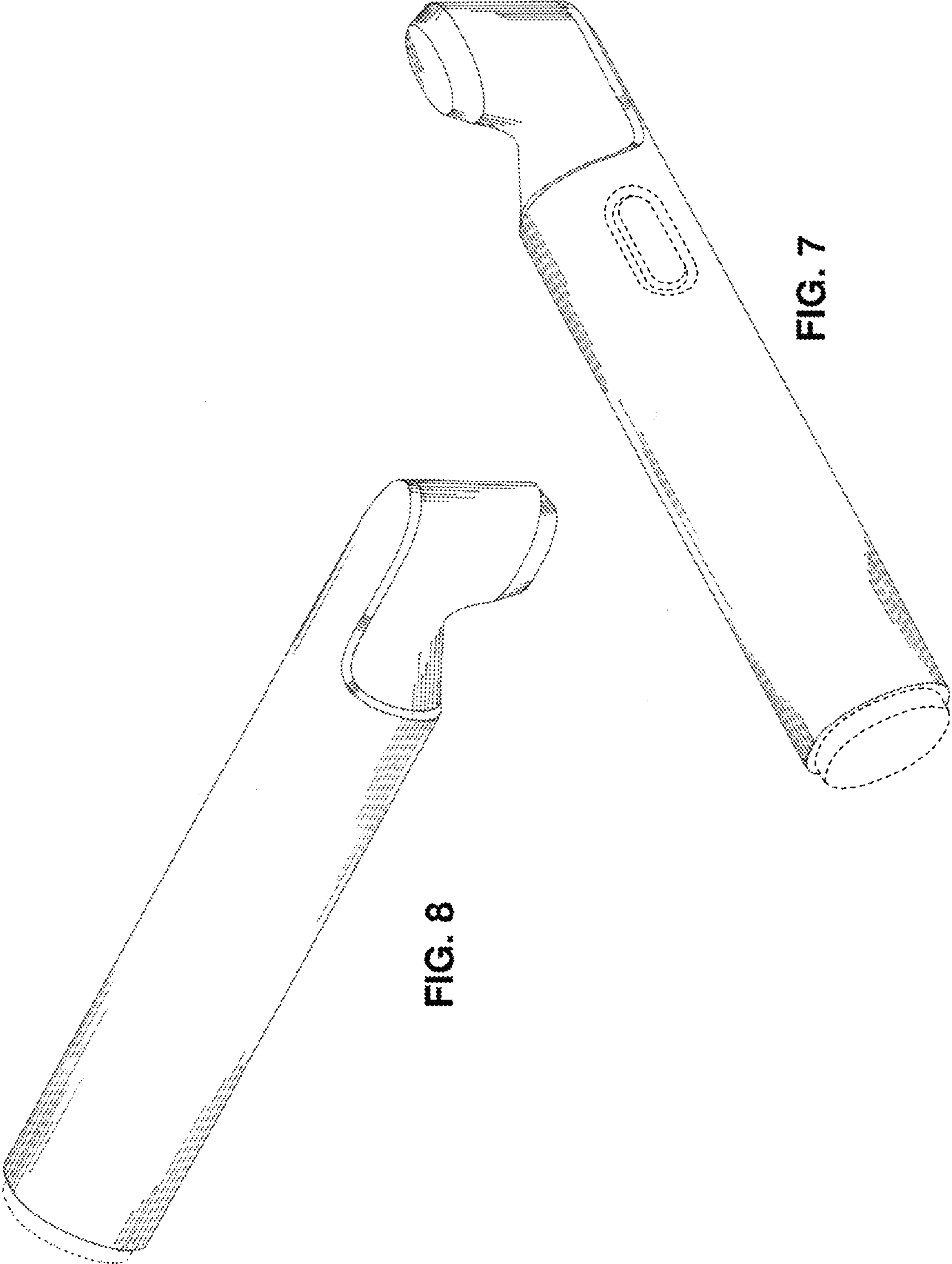


FIG. 4



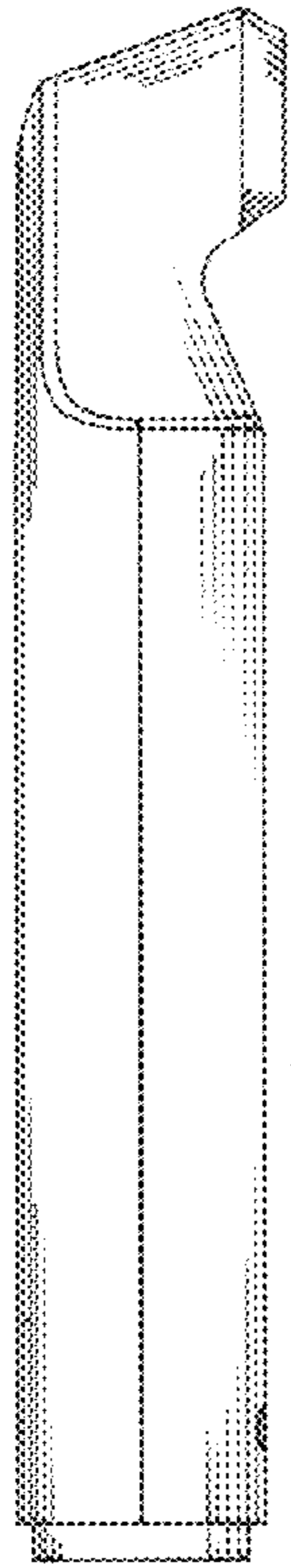


FIG. 9

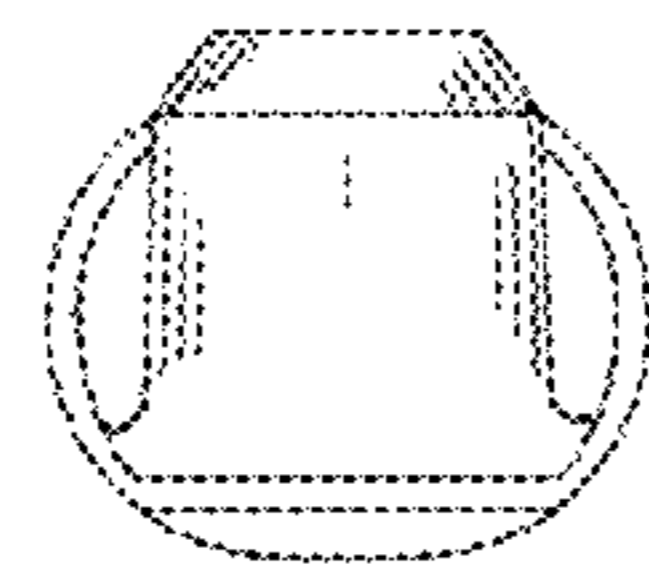


FIG. 13

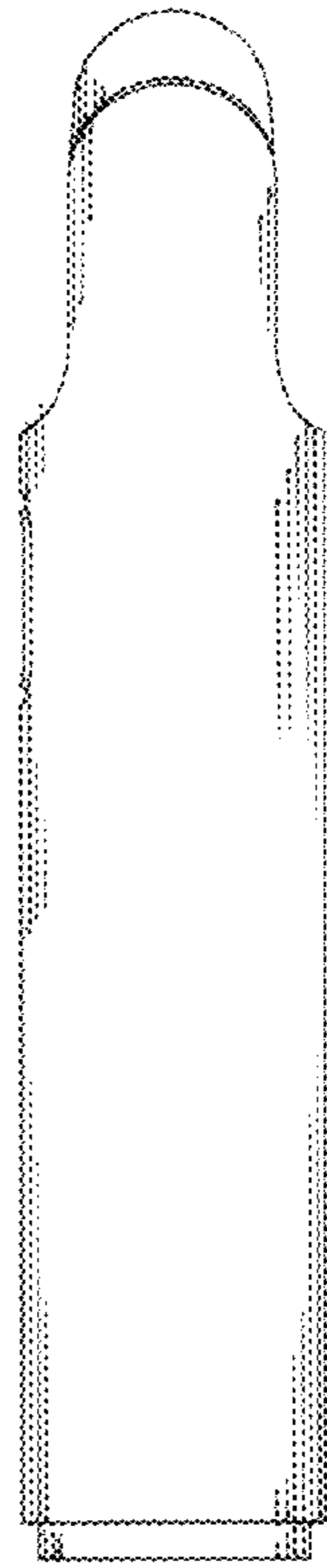


FIG. 10

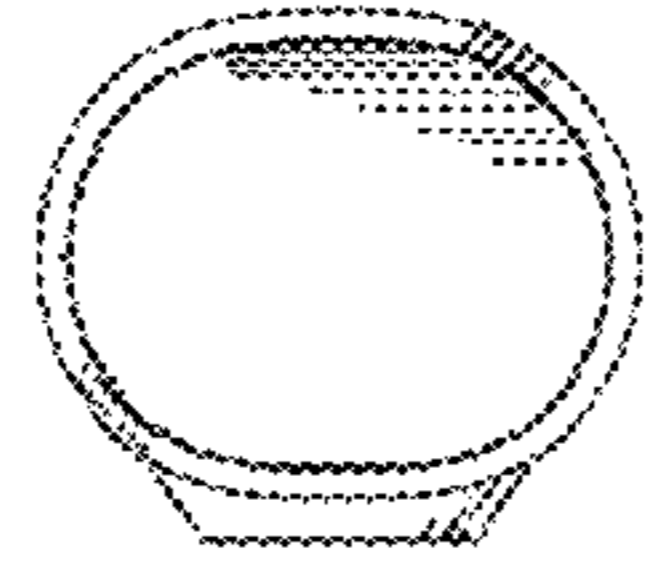


FIG. 14

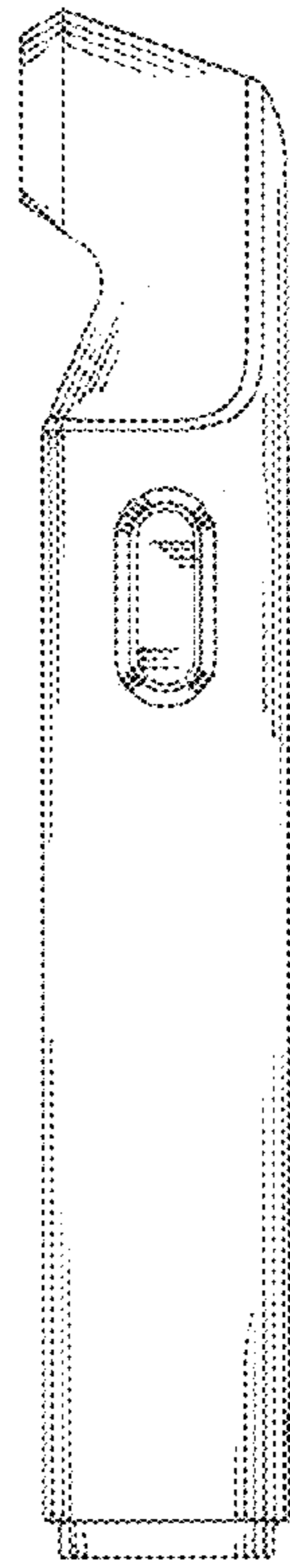


FIG. 11

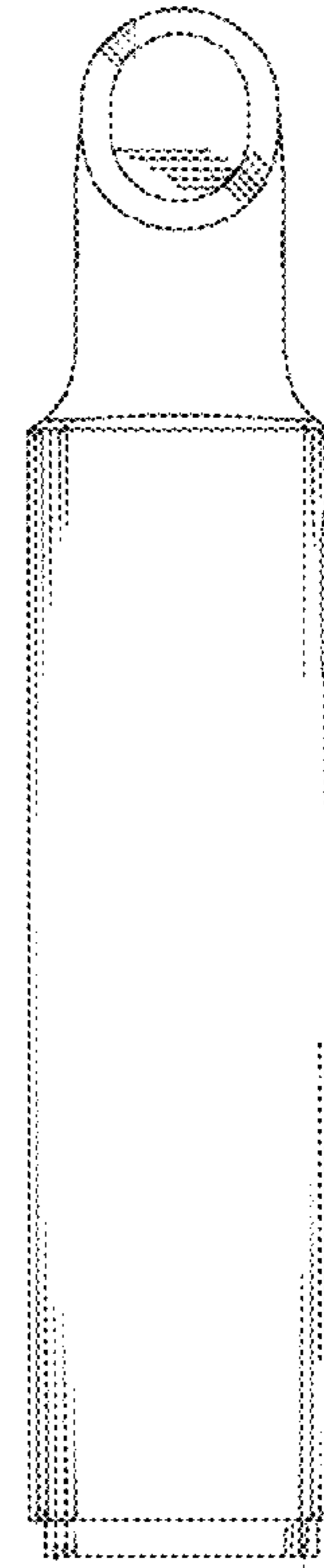


FIG. 12

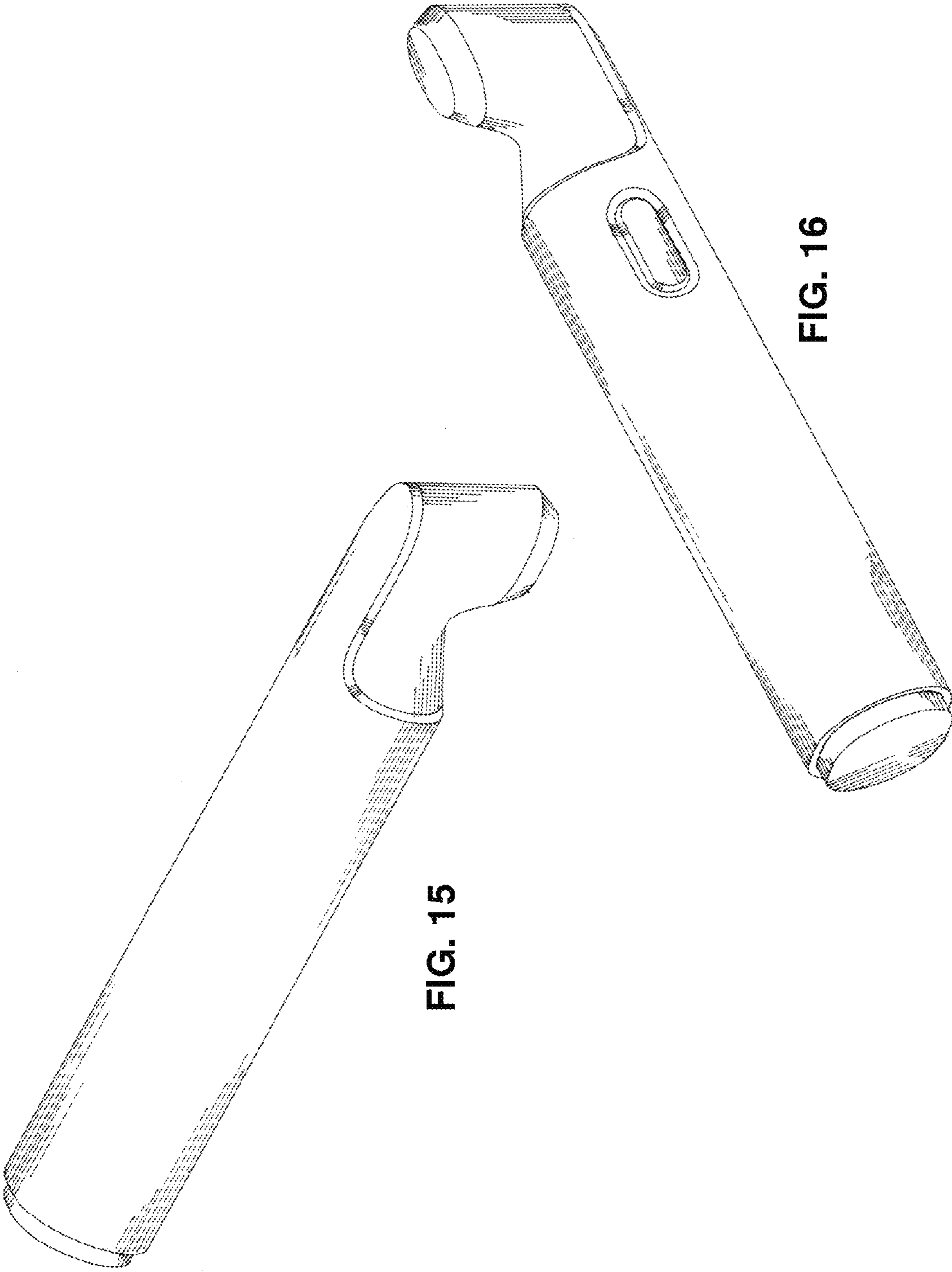


FIG. 15

FIG. 16

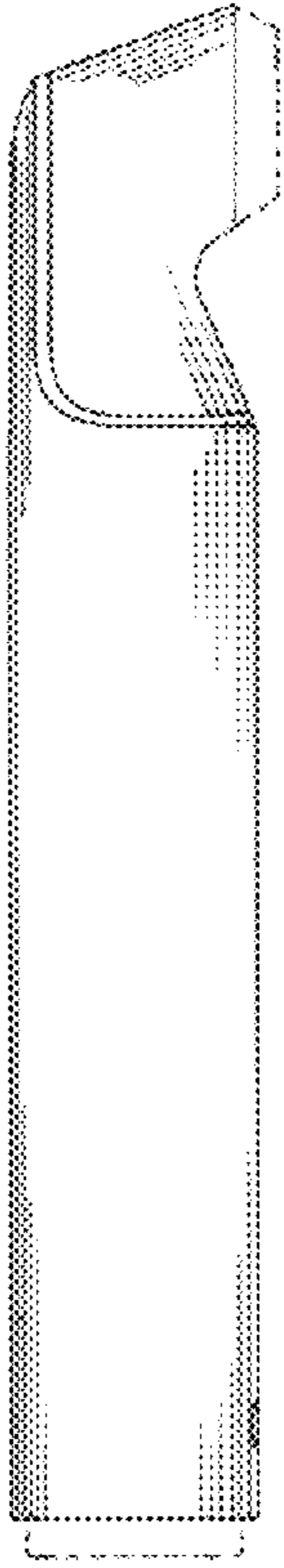


FIG. 17

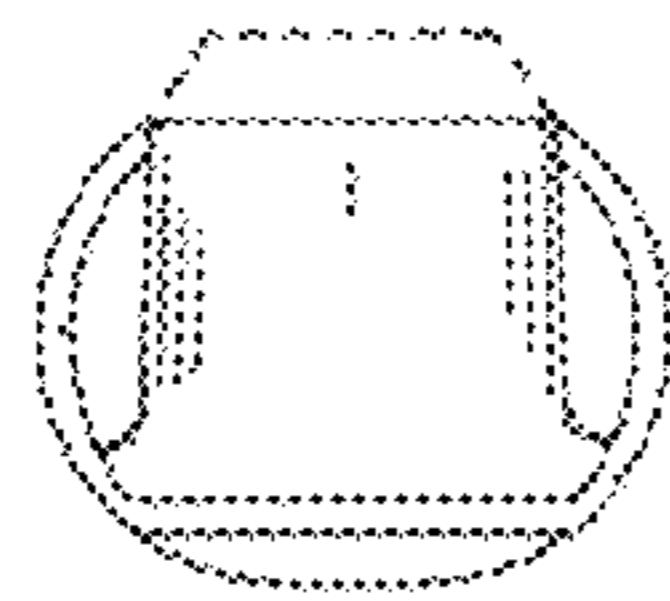


FIG. 21

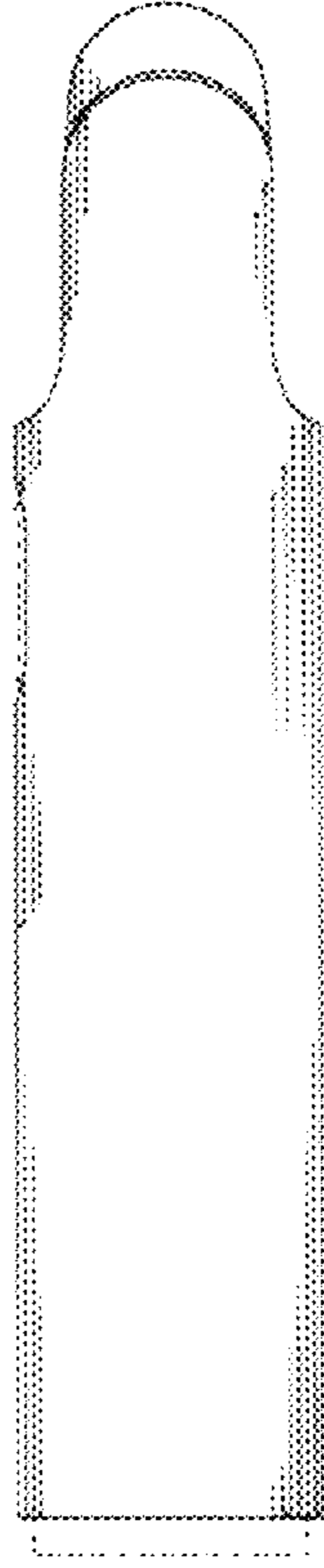


FIG. 18

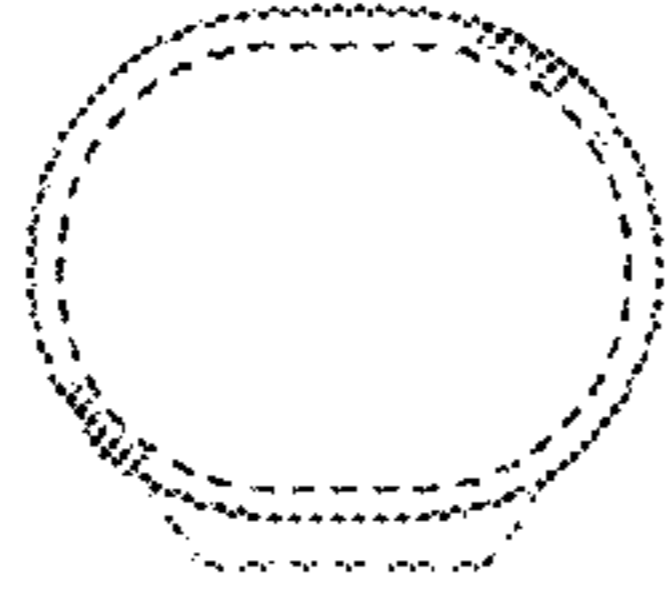


FIG. 22

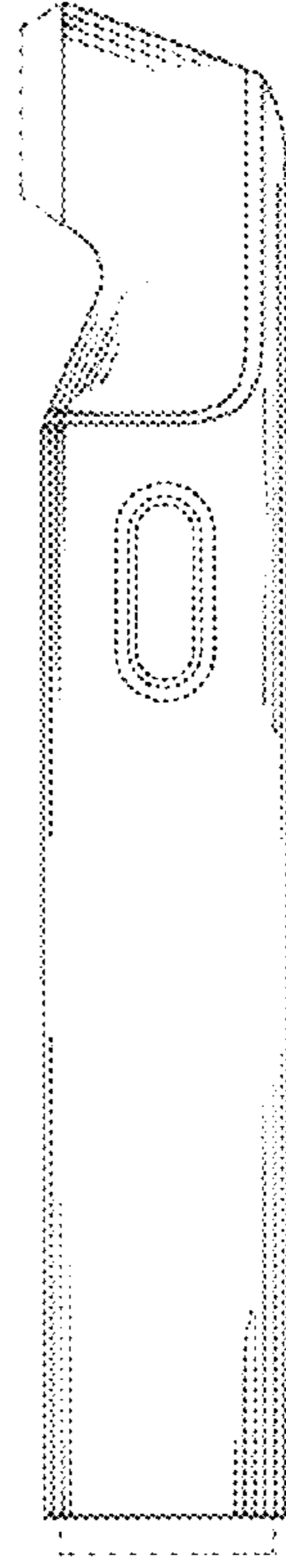


FIG. 19

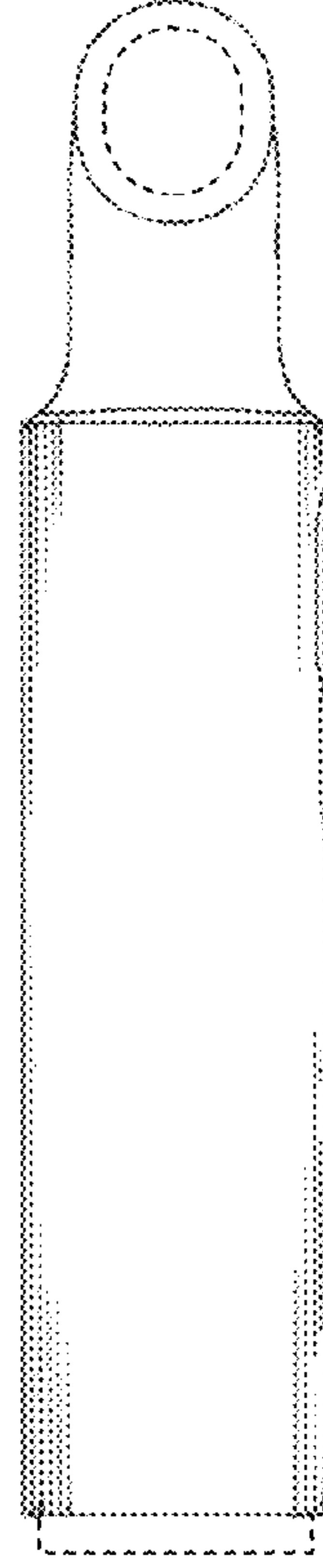


FIG. 20

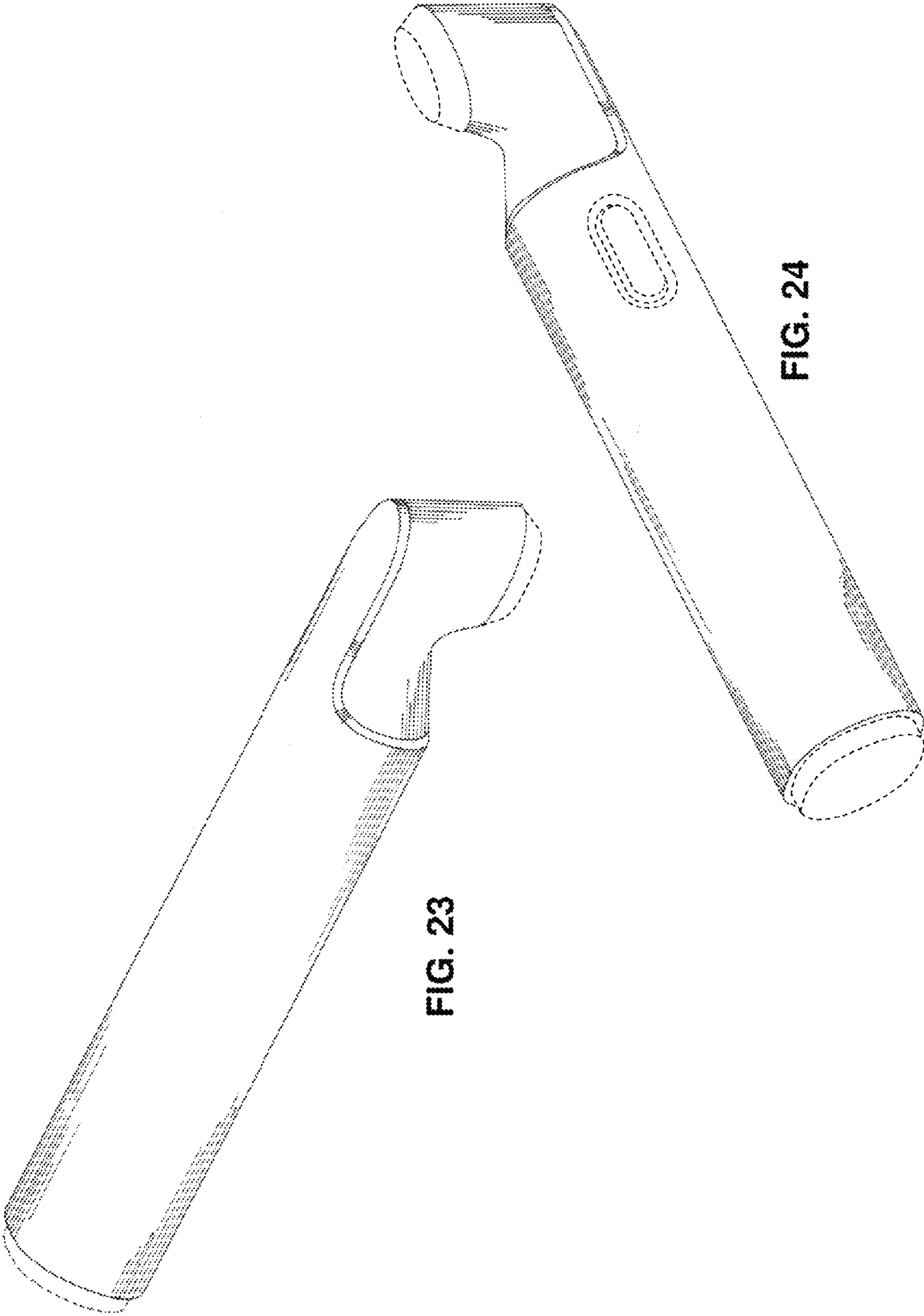


FIG. 23

FIG. 24