

US00D732732S

(12) **United States Design Patent**
Rushforth et al.

(10) **Patent No.:** **US D732,732 S**
(45) **Date of Patent:** **** Jun. 23, 2015**

(54) **TOBACCO POUCH**

(56) **References Cited**

(71) Applicant: **British American Tobacco (Investments) Limited**, London (GB)

U.S. PATENT DOCUMENTS

(72) Inventors: **David Rushforth**, London (GB); **Eva Sommarstrom**, London (GB); **Paul Wormald**, West Yorkshire (GB)

D298,880	S	*	12/1988	Graves et al.	D1/102
5,934,809	A	*	8/1999	Marbler	383/208
D451,795	S	*	12/2001	Ghatlia et al.	D9/710
D489,606	S	*	5/2004	Lofman	D9/707
D643,745	S	*	8/2011	Hartley	D9/707
D693,961	S	*	11/2013	Fish	D27/100
8,747,562	B2	*	6/2014	Mishra et al.	131/275
2004/0018293	A1	*	1/2004	Popplewell et al.	426/650
2011/0303232	A1	*	12/2011	Williams	131/359
2012/0073589	A1	*	3/2012	Kawata et al.	131/352
2012/0073590	A1	*	3/2012	Kawata et al.	131/352
2012/0085360	A1	*	4/2012	Kawata et al.	131/352
2014/0026912	A1	*	1/2014	Rushforth et al.	131/352

(73) Assignee: **British American Tobacco (Investments) Limited**, London (GB)

(**) Term: **14 Years**

* cited by examiner

(21) Appl. No.: **29/444,332**

Primary Examiner — Sheryl Lane
Assistant Examiner — Chelsea Sealey

(22) Filed: **Jan. 29, 2013**

(74) *Attorney, Agent, or Firm* — NW Poulsen; LA Pinol

(30) **Foreign Application Priority Data**

Jul. 30, 2012 (EM) 002081398

(57) **CLAIM**

(51) **LOC (10) Cl.** **27-01**

The ornamental design for tobacco pouch, as shown and described.

(52) **U.S. Cl.**

DESCRIPTION

USPC **D27/100**

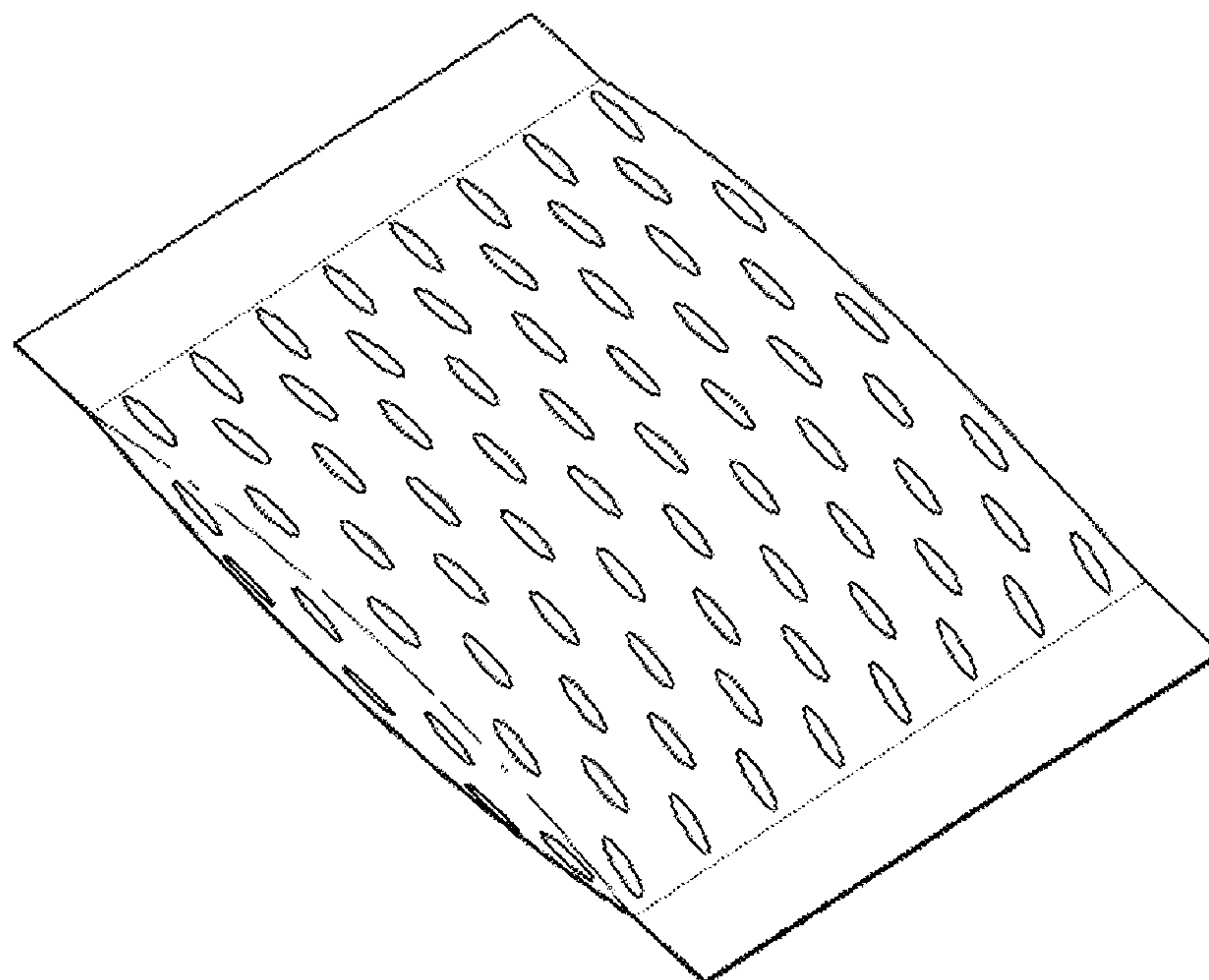
(58) **Field of Classification Search**

USPC D27/100, 101, 103, 104, 105, 108, 12, D27/163, 164, 170, 172, 174, 183, 185, 186, D27/189, 190; D1/102, 105, 122, 127, 128, D1/129, 199; 383/102, 103, 107; 131/111, 131/274, 275, 352; D9/417, 503, 529, 558, D9/707, 708, 709, 710; 206/210, 242

FIG. 1 is a first embodiment top view of a tobacco pouch showing our new design;
FIG. 2 is a left front top perspective view thereof;
FIG. 3 is a rear view thereof;
FIG. 4 is a second embodiment top view of a tobacco pouch showing our new design, and including surface texture;
FIG. 5 is a left front top perspective view thereof; and,
FIG. 6 is a rear view thereof.

See application file for complete search history.

1 Claim, 4 Drawing Sheets



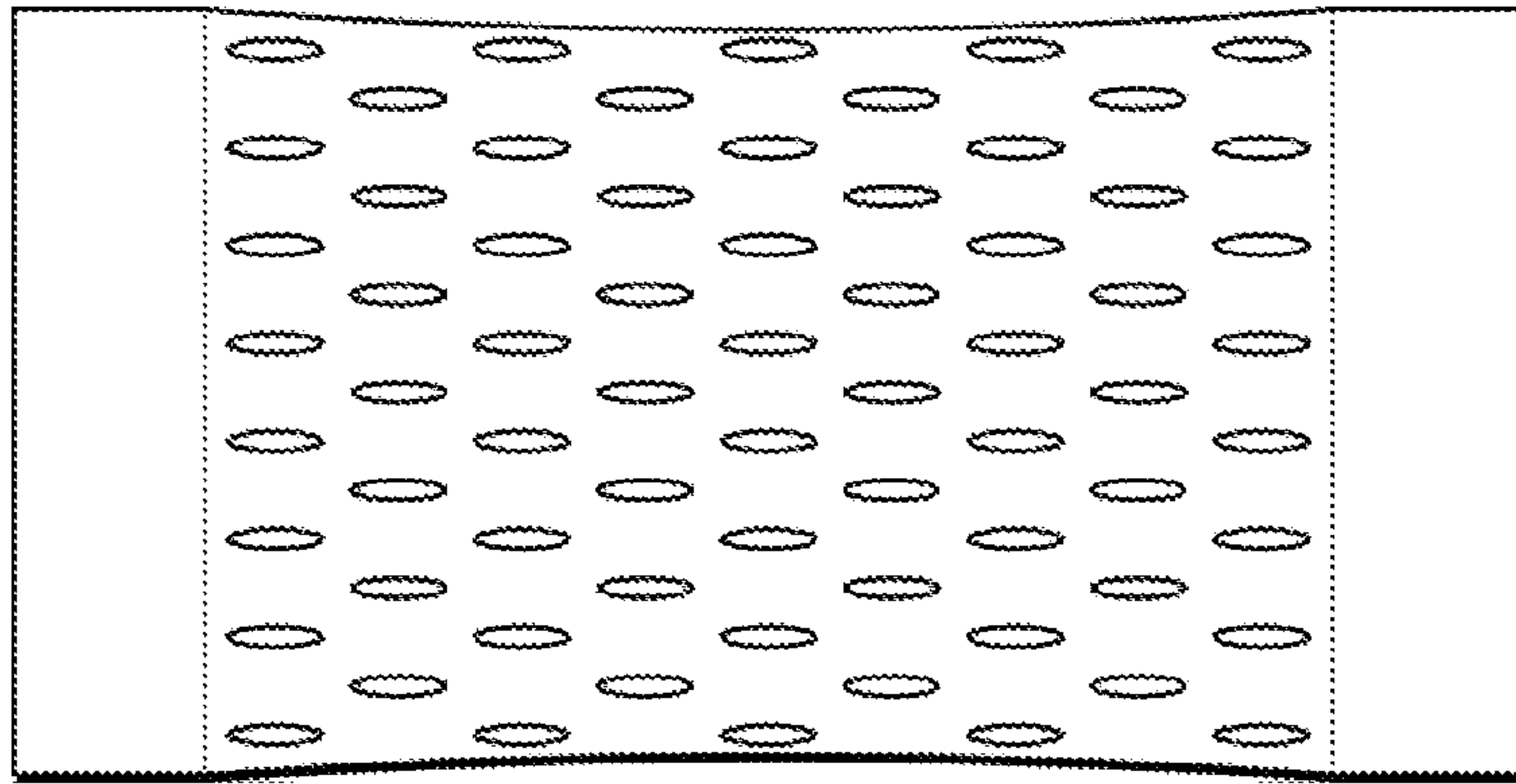


FIG. 1

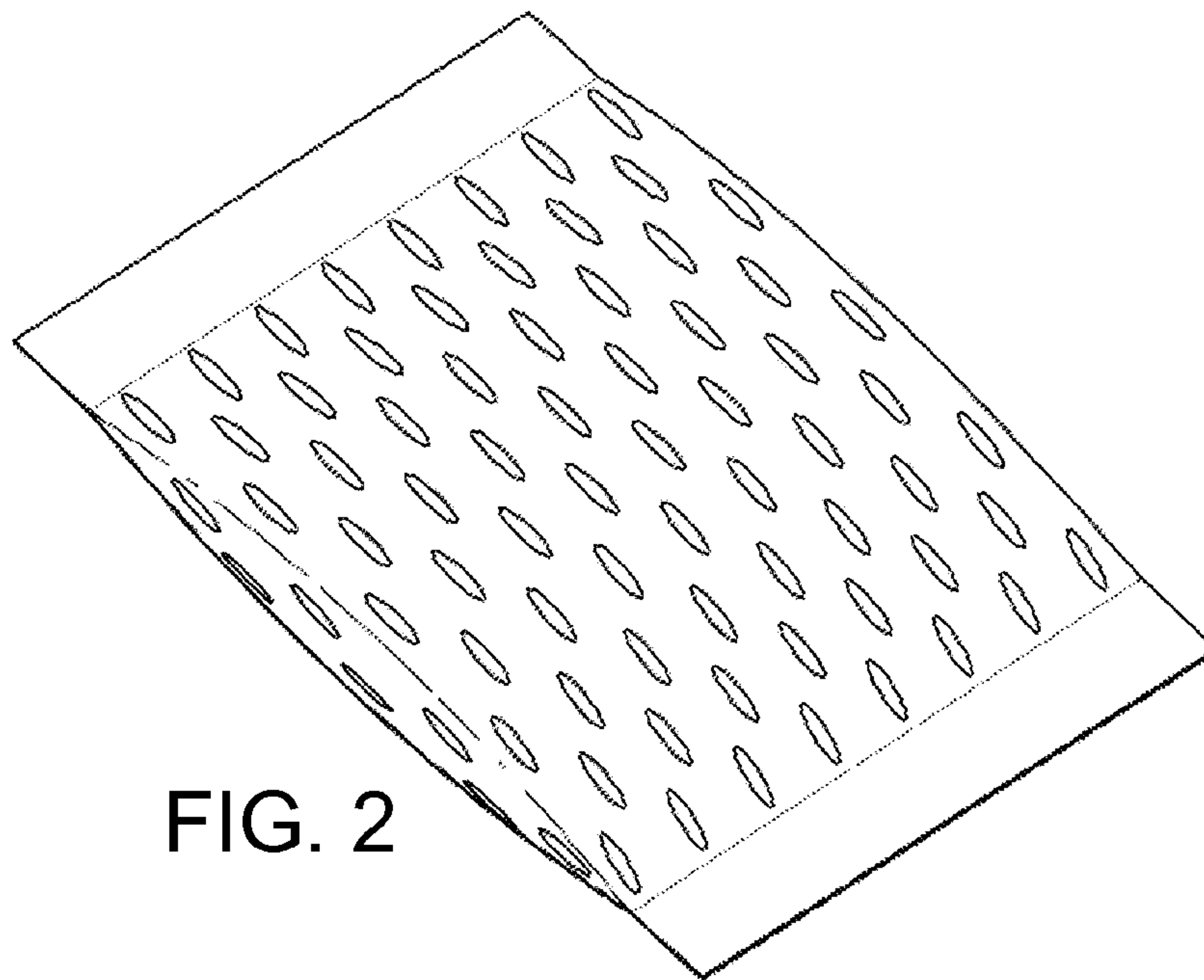


FIG. 2

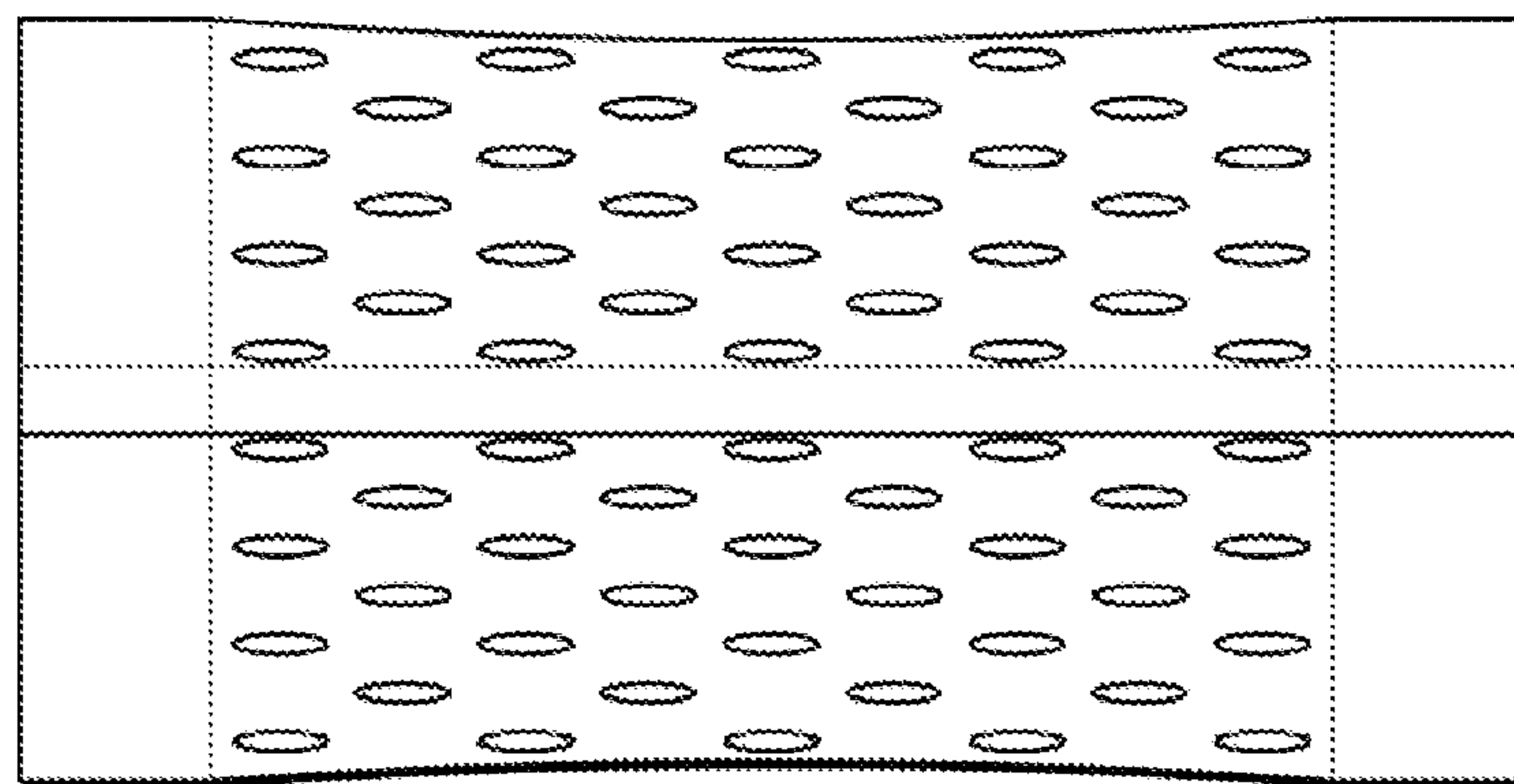


FIG. 3

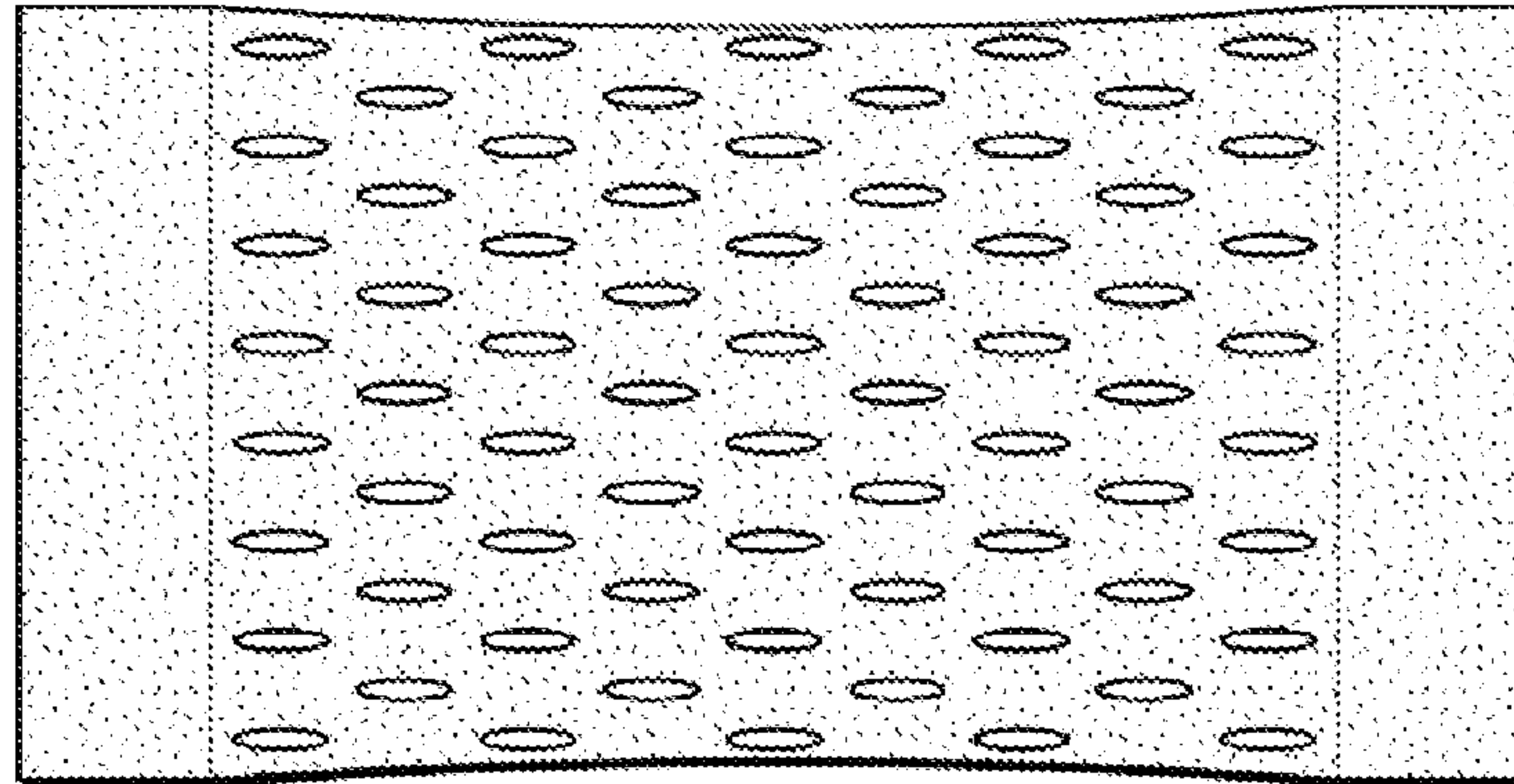


FIG. 4

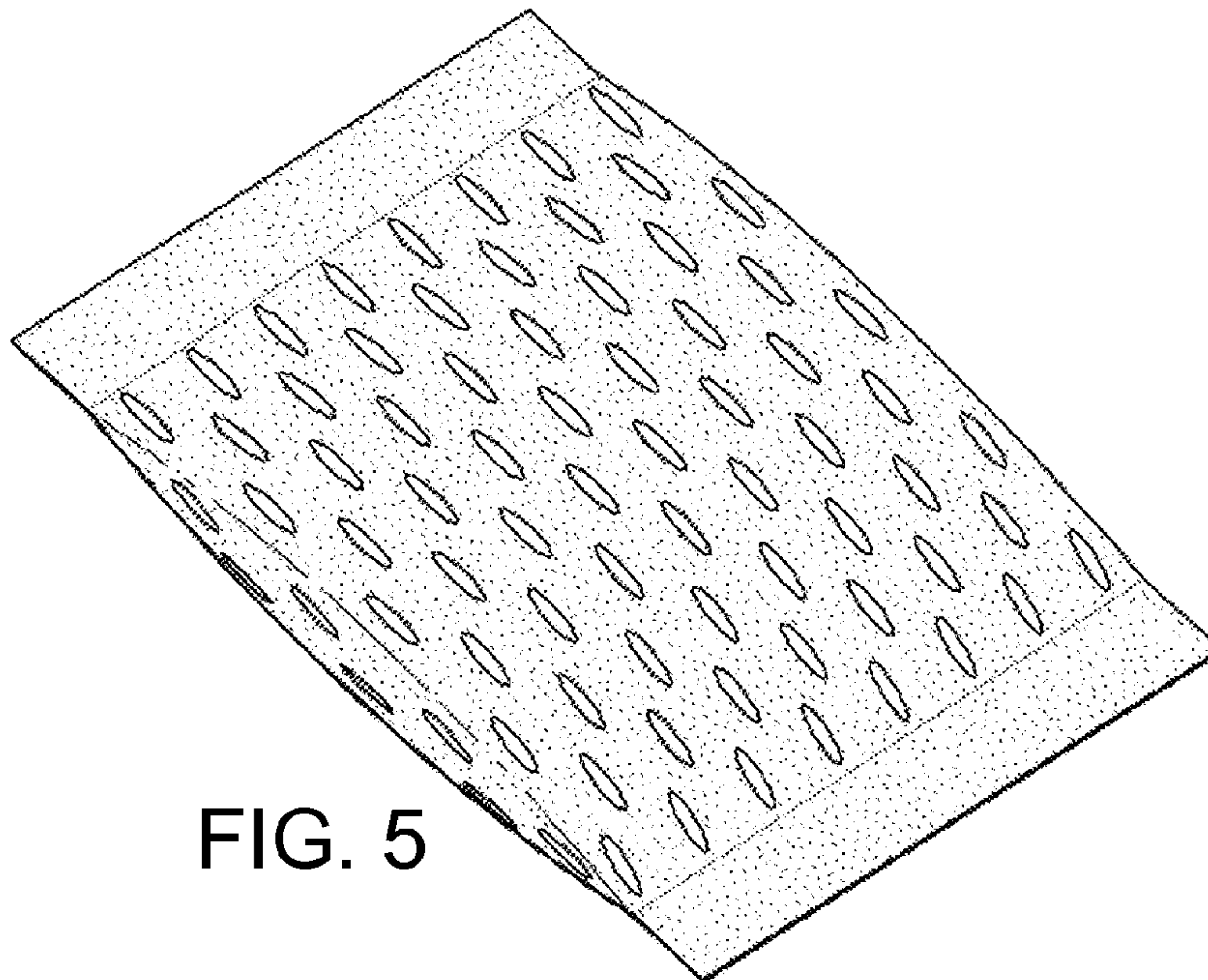


FIG. 5

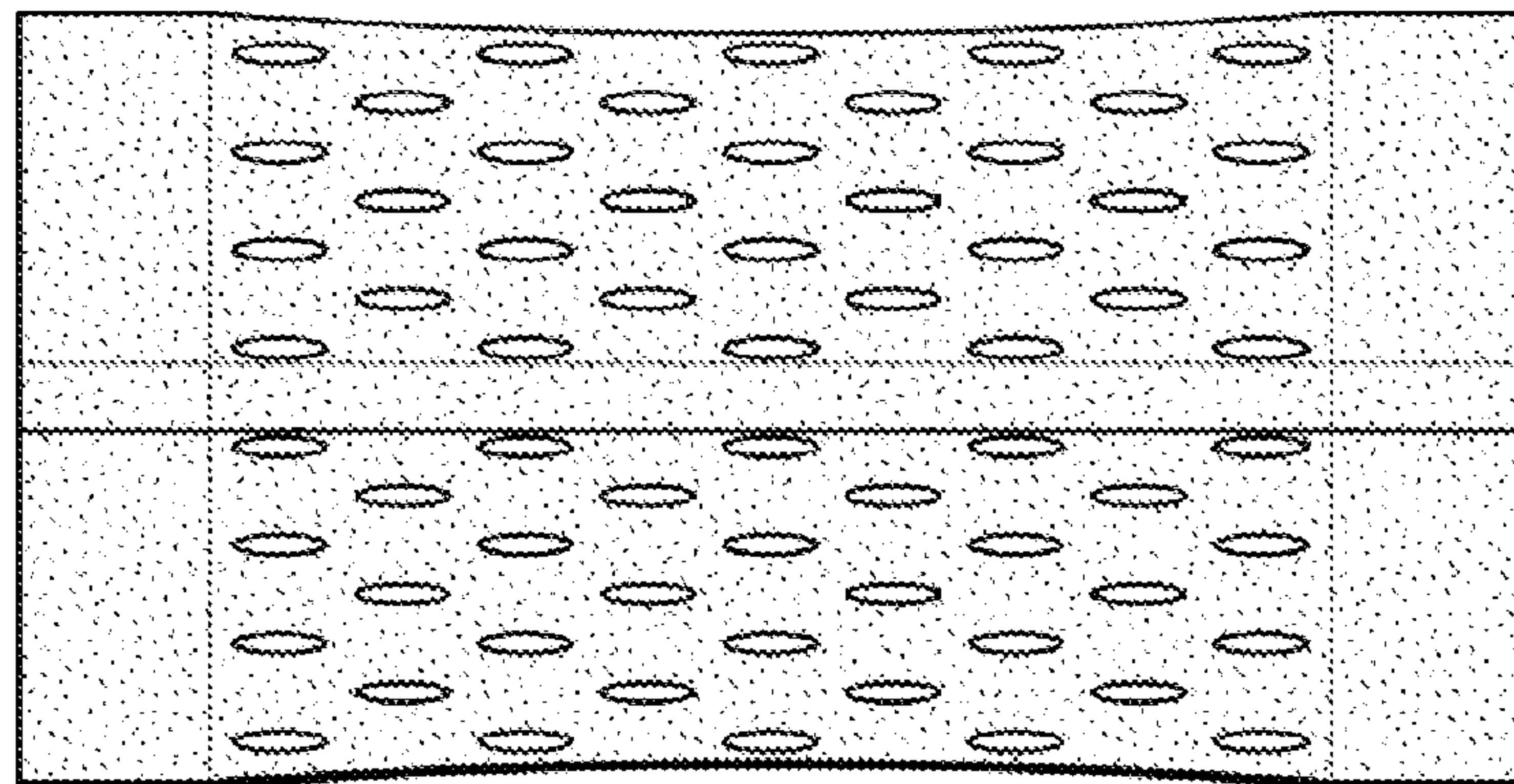


FIG. 6