



US00D732726S

(12) **United States Design Patent**
Cuthbert

(10) **Patent No.:** **US D732,726 S**

(45) **Date of Patent:** **** Jun. 23, 2015**

(54) **TASK LAMP**

(71) Applicant: **Robert Cuthbert**, Palo Alto, CA (US)

(72) Inventor: **Robert Cuthbert**, Palo Alto, CA (US)

(73) Assignee: **Robert Cuthbert**, Palo Alto, CA (US)

(**) Term: **14 Years**

(21) Appl. No.: **29/475,960**

(22) Filed: **Dec. 9, 2013**

(51) **LOC (10) Cl.** **26-03**

(52) **U.S. Cl.**
USPC **D26/107**

(58) **Field of Classification Search**
USPC D26/24, 93, 102, 104, 106, 107, 94, 95
CPC F21S 6/00; F21S 6/002; F21S 8/036;
F21S 8/08; F21V 21/00; F21V 21/02; F21V
21/06; F21V 21/116; F21W 2131/30
See application file for complete search history.

(56) **References Cited**

U.S. PATENT DOCUMENTS

D473,676 S * 4/2003 Barber D26/93
D483,898 S * 12/2003 Murphy D26/93

D589,642 S * 3/2009 Chen D26/107
D626,266 S * 10/2010 Verelst D26/107
D640,824 S * 6/2011 Wang et al. D26/93
D652,981 S * 1/2012 Kristiansen et al. D26/93
D676,998 S * 2/2013 Stephanchick et al. D26/93

* cited by examiner

Primary Examiner — Brian N Vinson

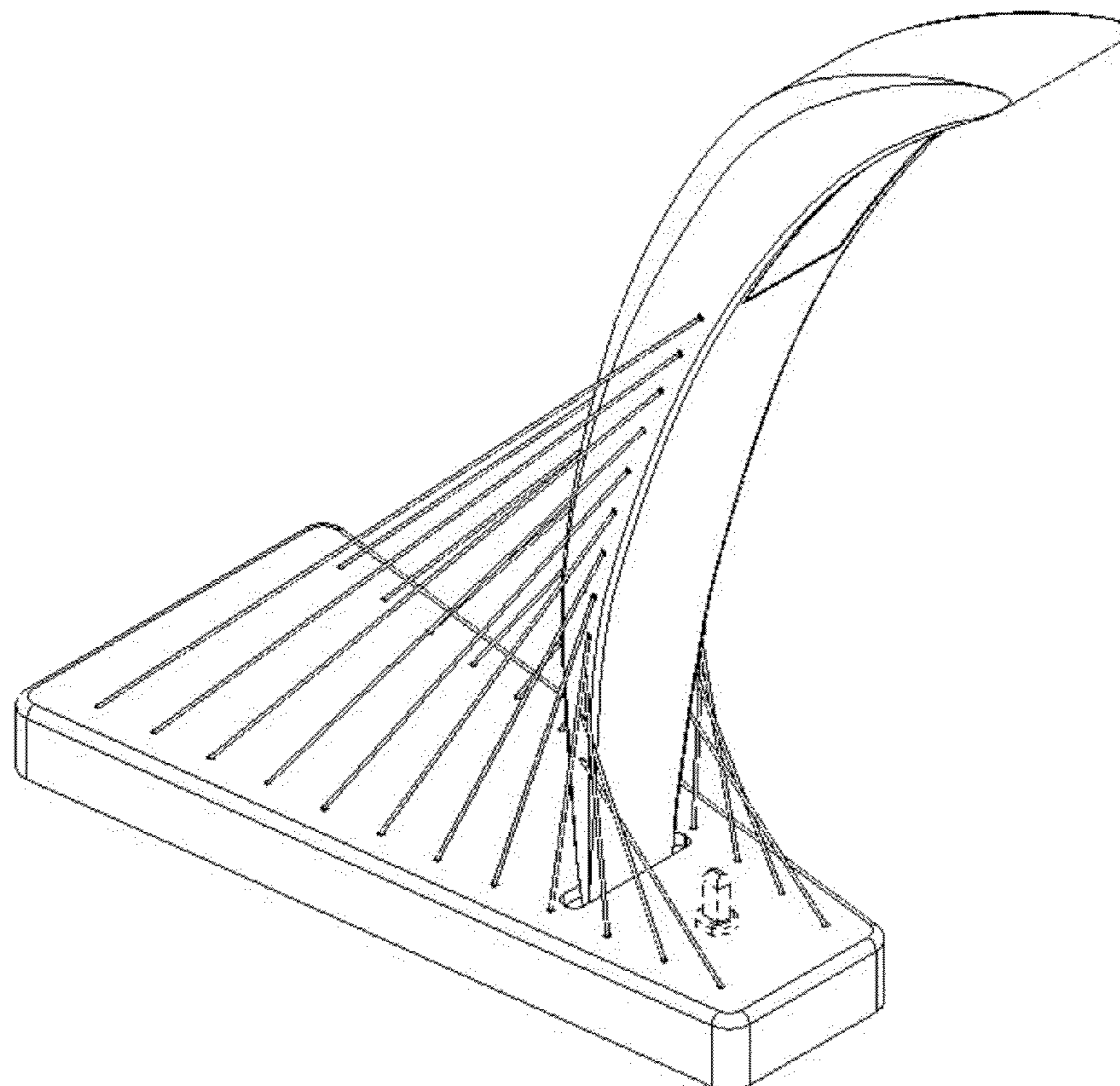
(57) **CLAIM**

I claim the ornamental design for a task lamp, as shown and described.

DESCRIPTION

FIG. 1 is a front perspective view of the task lamp showing my new design;
FIG. 2 is a front view thereof;
FIG. 3 is a back view thereof;
FIG. 4 is a top view thereof;
FIG. 5 is a bottom view thereof;
FIG. 6 is a left view thereof;
FIG. 7 is a right view thereof; and,
FIG. 8 is a back perspective view thereof.
The broken lines serve to show where a switch could go and form no part of the claimed design.

1 Claim, 8 Drawing Sheets



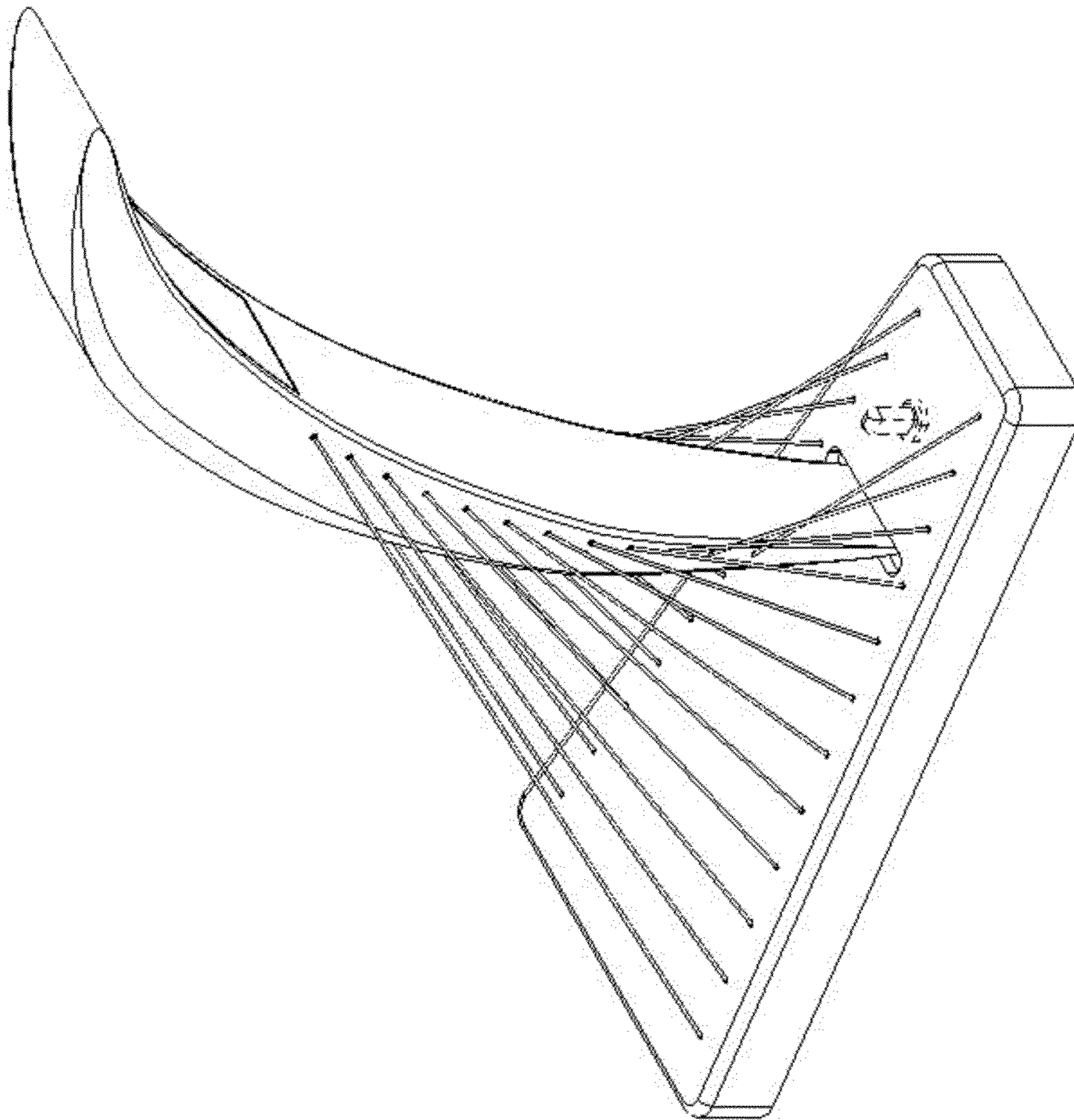


FIG. 1

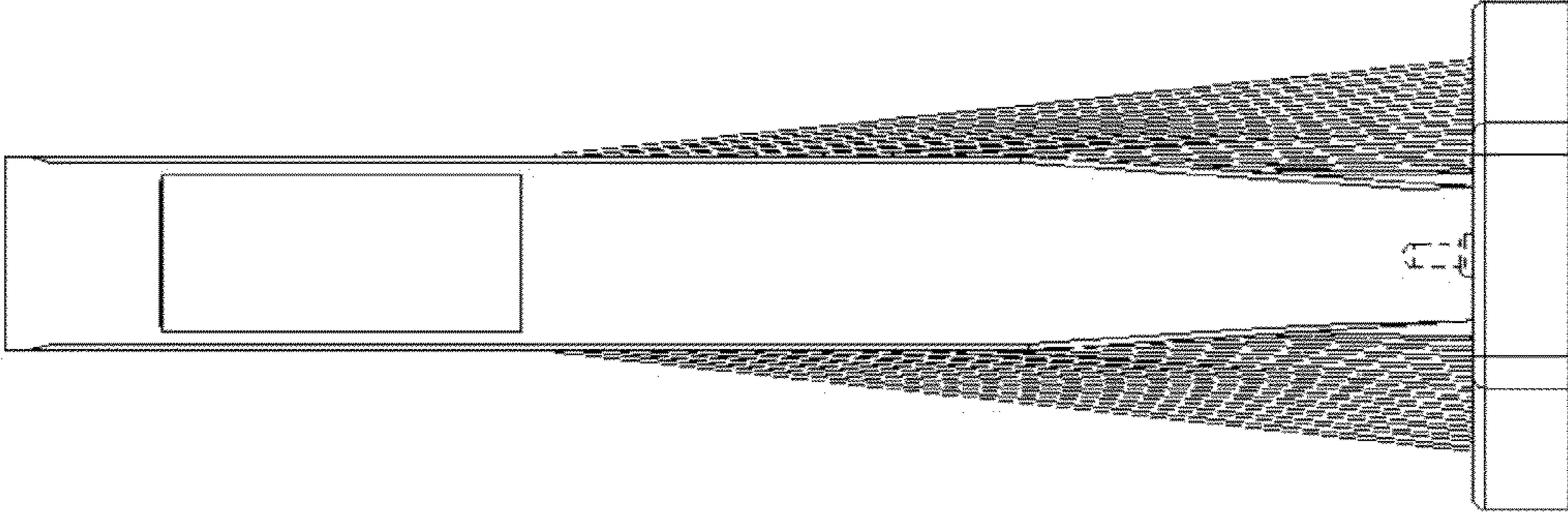


FIG. 2

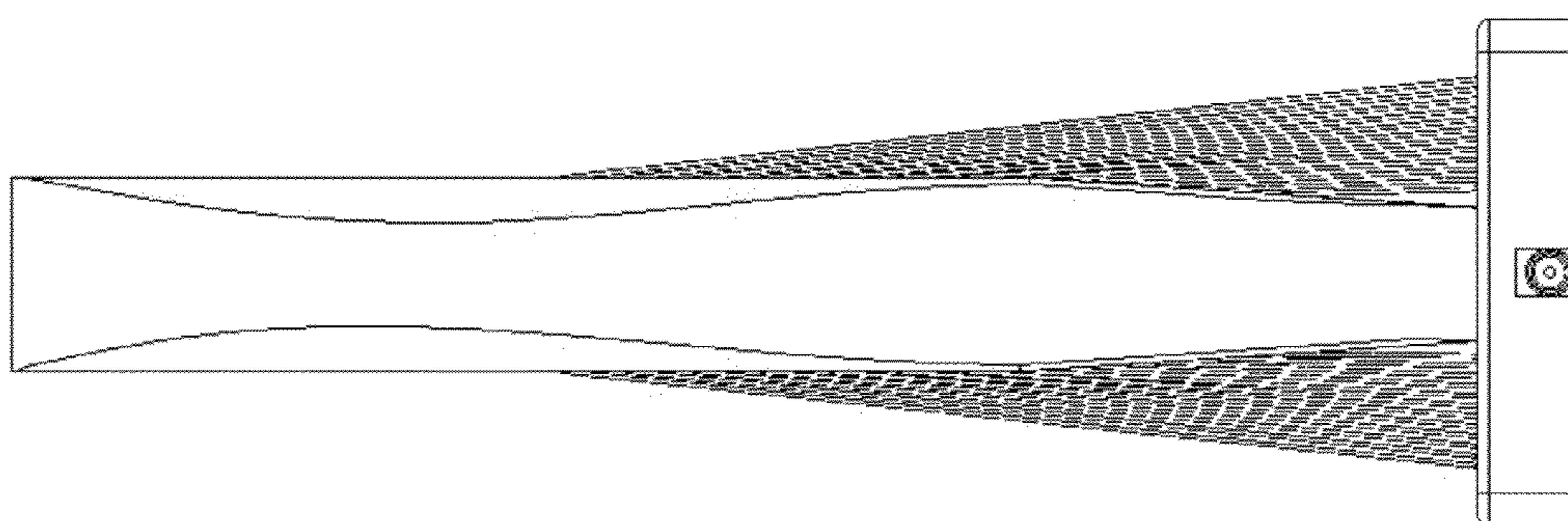


FIG. 3

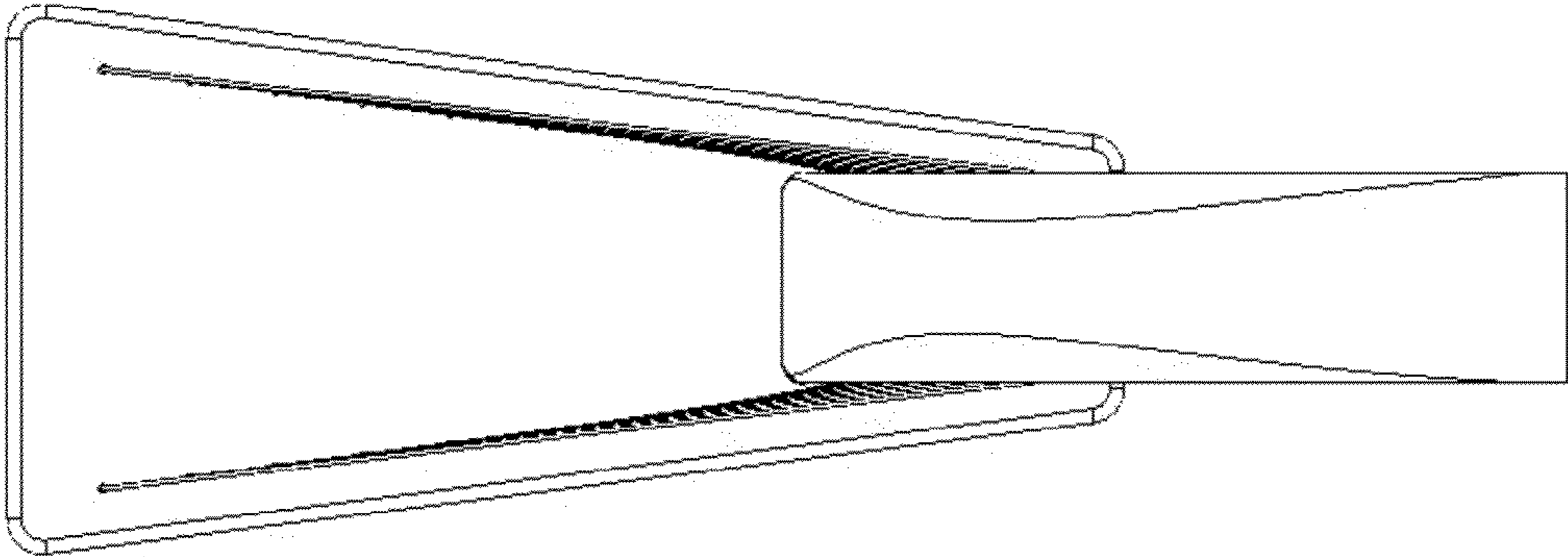


FIG. 4

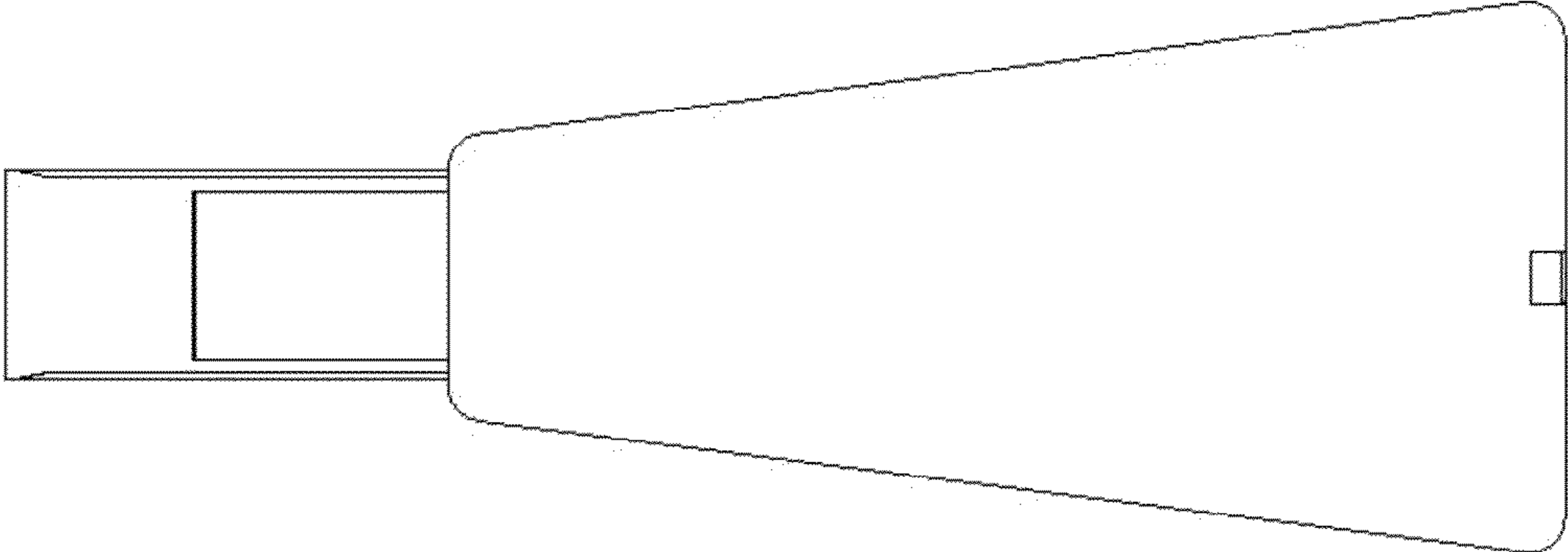


FIG. 5

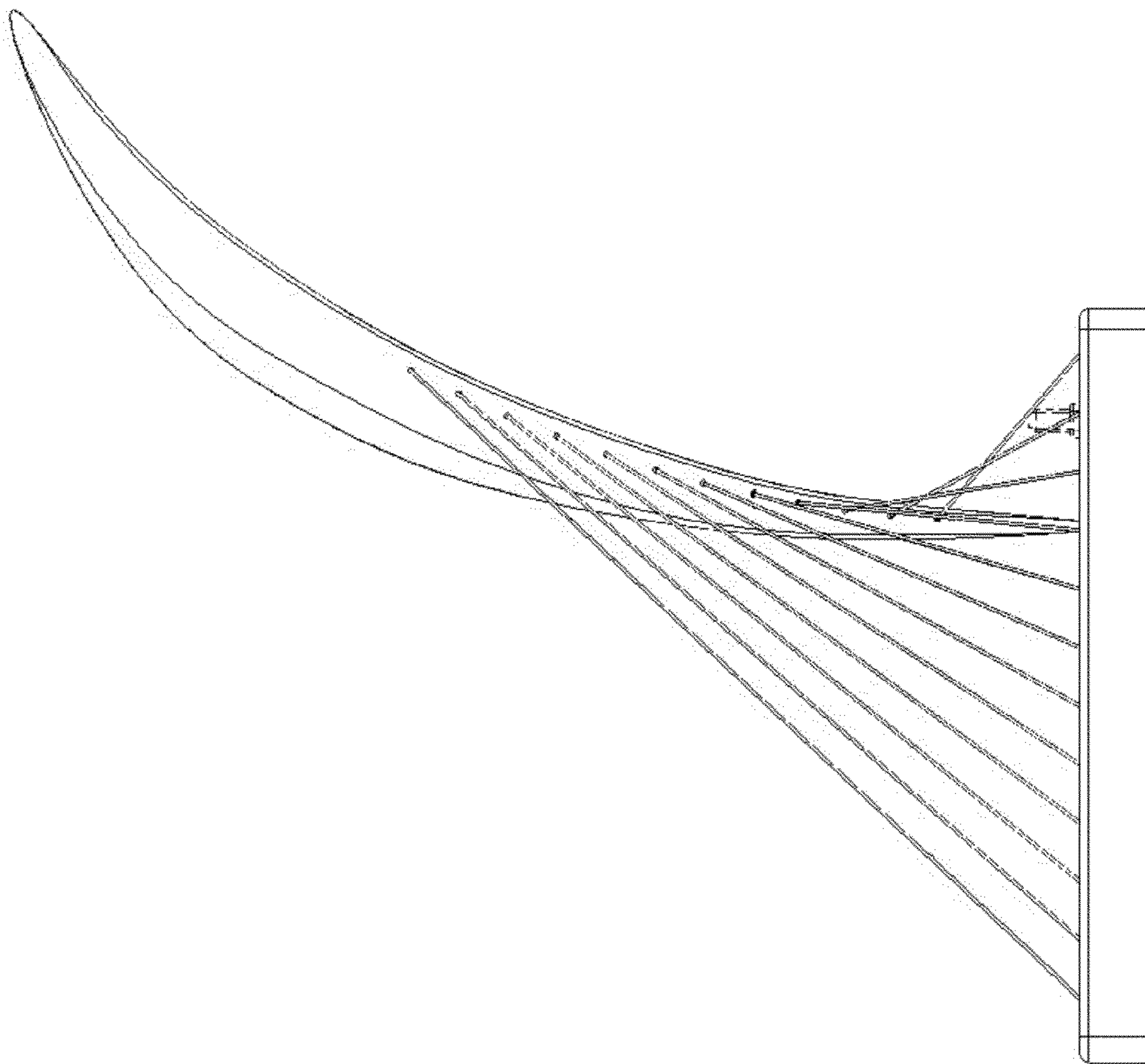


FIG. 6

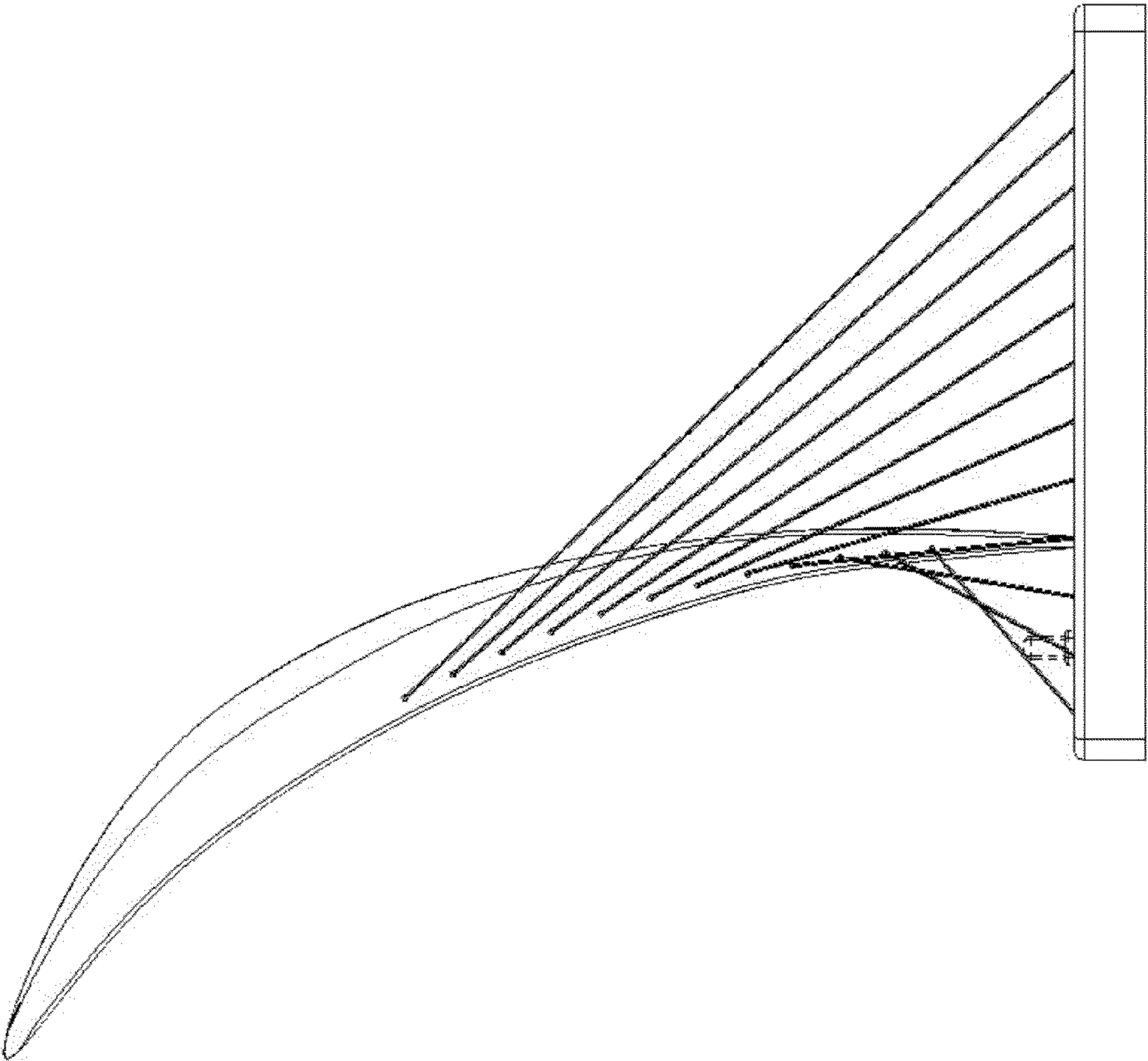


FIG. 7

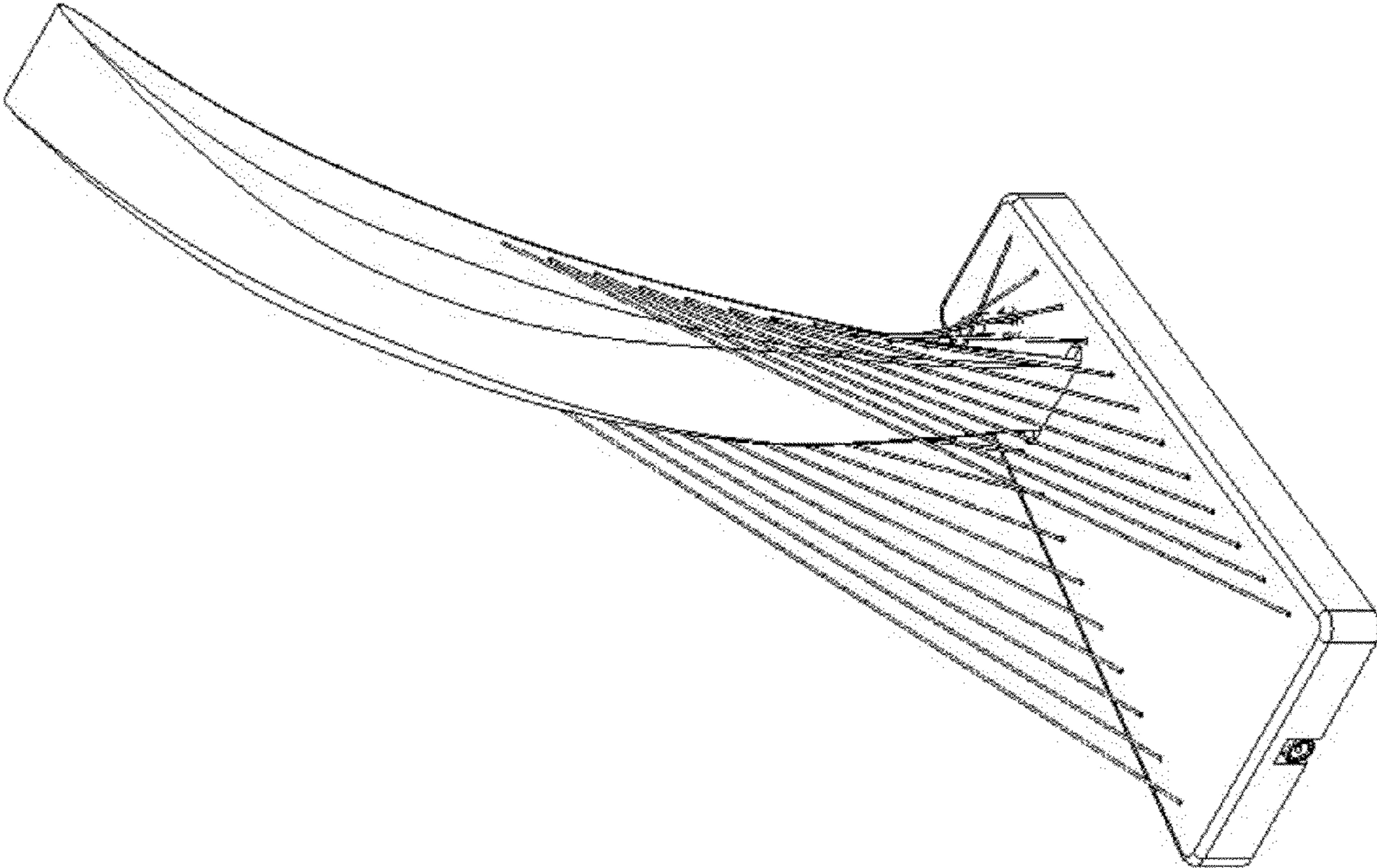


FIG. 8