

US00D732725S

(12) **United States Design Patent**
Lonsdale

(10) **Patent No.:** **US D732,725 S**
(45) **Date of Patent:** **** Jun. 23, 2015**

(54) **FLOOR LAMP**

(71) Applicant: **ZUMTOBEL LIGHTING GMBH,**
Lemgo (AT)

(72) Inventor: **Julian Lonsdale,** Bregenz (AT)

(73) Assignee: **ZUMTOBEL LIGHTING GMBH,**
Dornbirn (AT)

(**) Term: **14 Years**

(21) Appl. No.: **29/452,132**

(22) Filed: **Apr. 12, 2013**

(30) **Foreign Application Priority Data**

Oct. 16, 2012 (EP) 001 347 306-0001

(51) **LOC (10) Cl.** **26-03**

(52) **U.S. Cl.**
USPC **D26/107**

(58) **Field of Classification Search**
USPC D26/24, 93, 106, 107, 108, 110, 112
CPC F21S 6/00; F21S 6/002; F21S 8/043;
F21S 8/08; F21V 21/02; F21V 21/116;
F21W 2131/30; F21Y 2105/00

See application file for complete search history.

(56) **References Cited**

U.S. PATENT DOCUMENTS

D226,021 S *	1/1973	Haft	D26/110
D244,793 S *	6/1977	Ruud	D26/108
D502,282 S *	2/2005	Waldmann	D26/107
D539,970 S *	4/2007	Waldmann et al.	D26/107
D609,391 S *	2/2010	Schieffelin et al.	D26/93
D645,197 S *	9/2011	Waldmann	D26/93

* cited by examiner

Primary Examiner — Brian N Vinson

(74) *Attorney, Agent, or Firm* — Marshall, Gerstein & Borun
LLP

(57) **CLAIM**

The ornamental design for a floor lamp, as shown and described.

DESCRIPTION

FIG. 1 is a front, and side perspective view of a floor lamp that has the design.

FIG. 2 is a right side elevation view of the floor lamp.

FIG. 3 is a left side perspective view of the floor lamp.

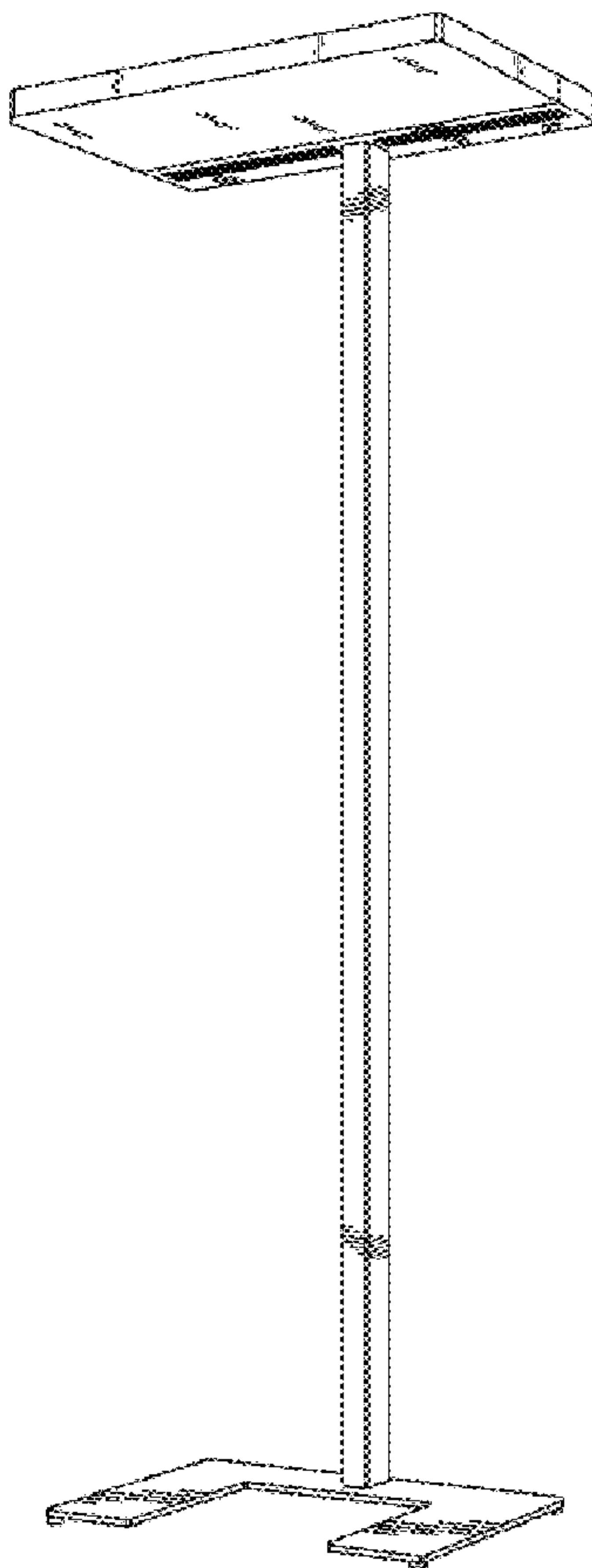
FIG. 4 is a front elevation view of the floor lamp.

FIG. 5 is a rear elevation view of the floor lamp.

FIG. 6 is a top plan view of the floor lamp; and,

FIG. 7 is a bottom plan view of the floor lamp.

1 Claim, 6 Drawing Sheets



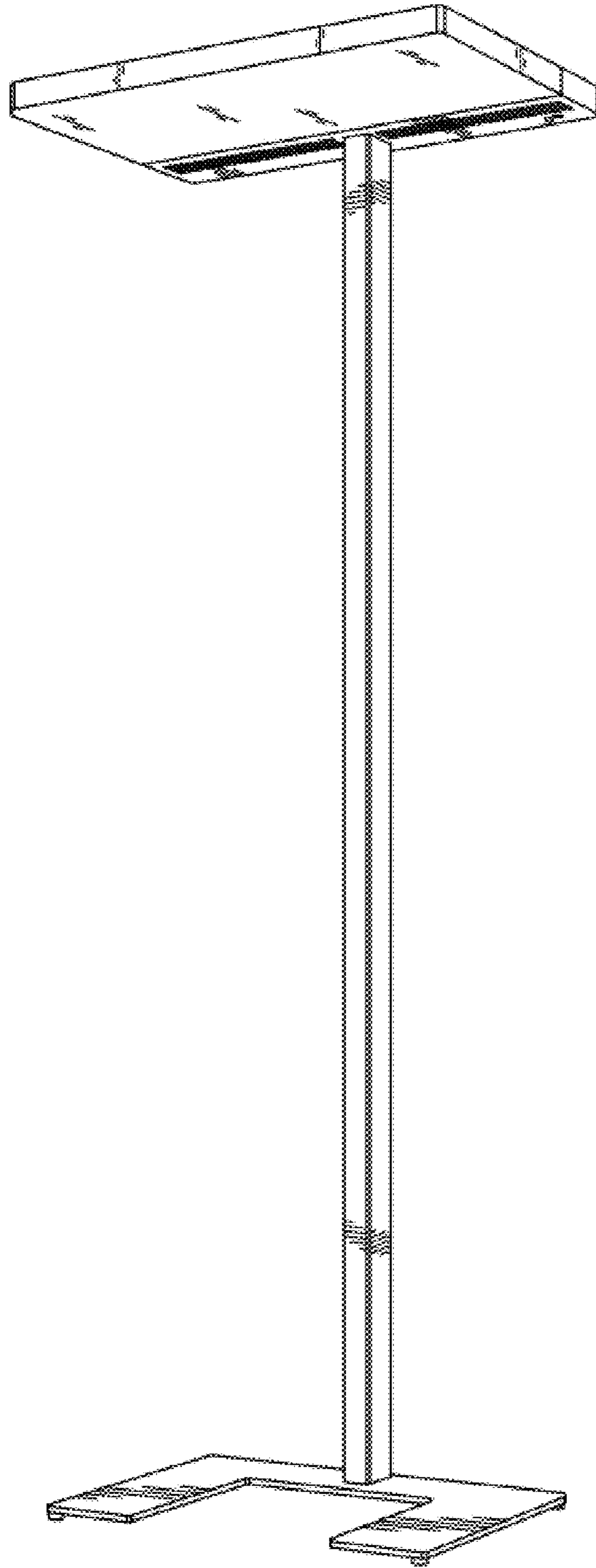


Fig. 1

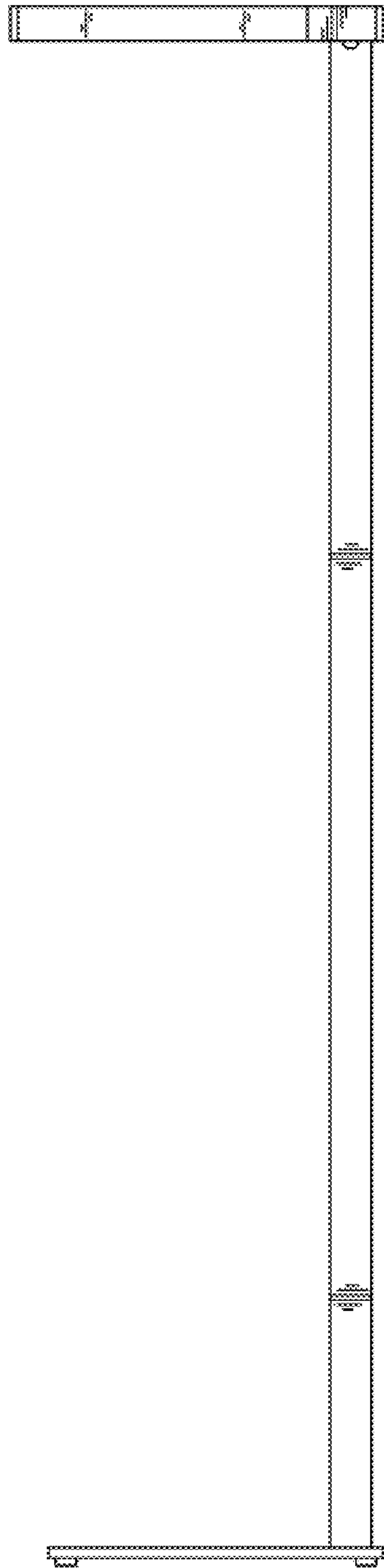


Fig. 2

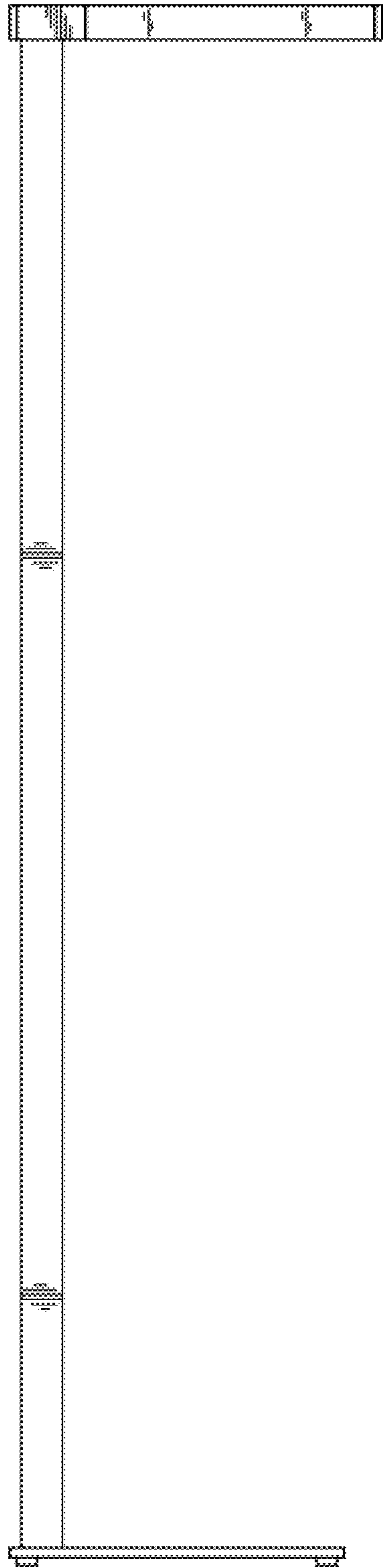


Fig. 3

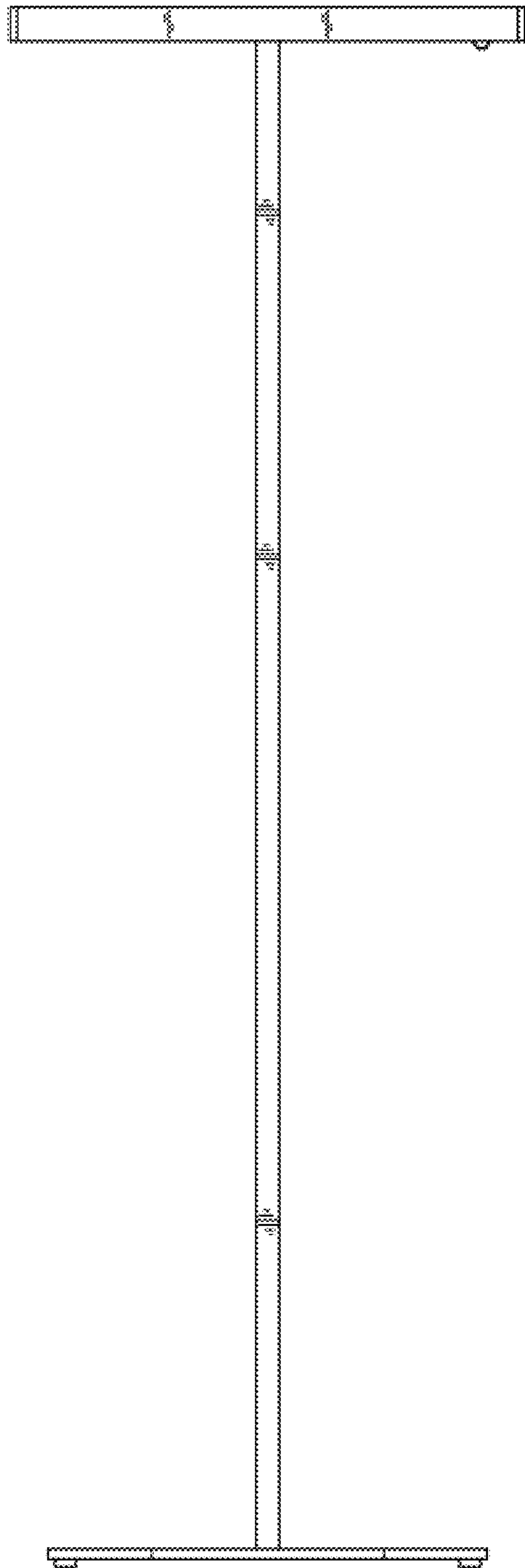


Fig. 4

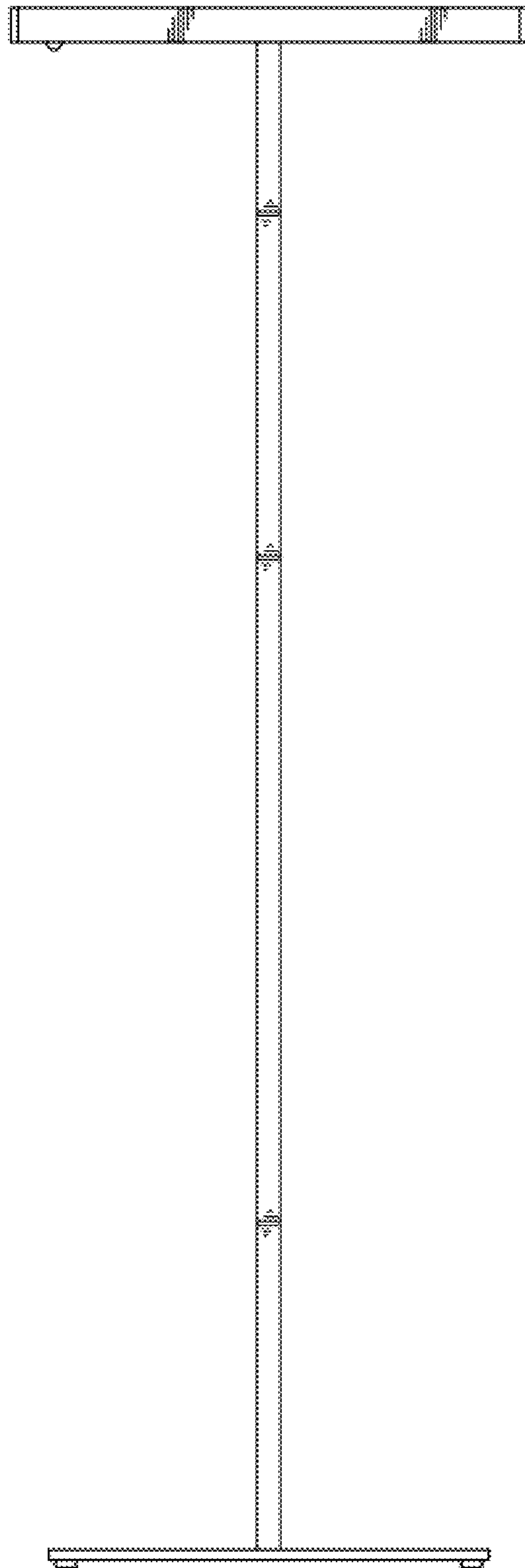


Fig. 5

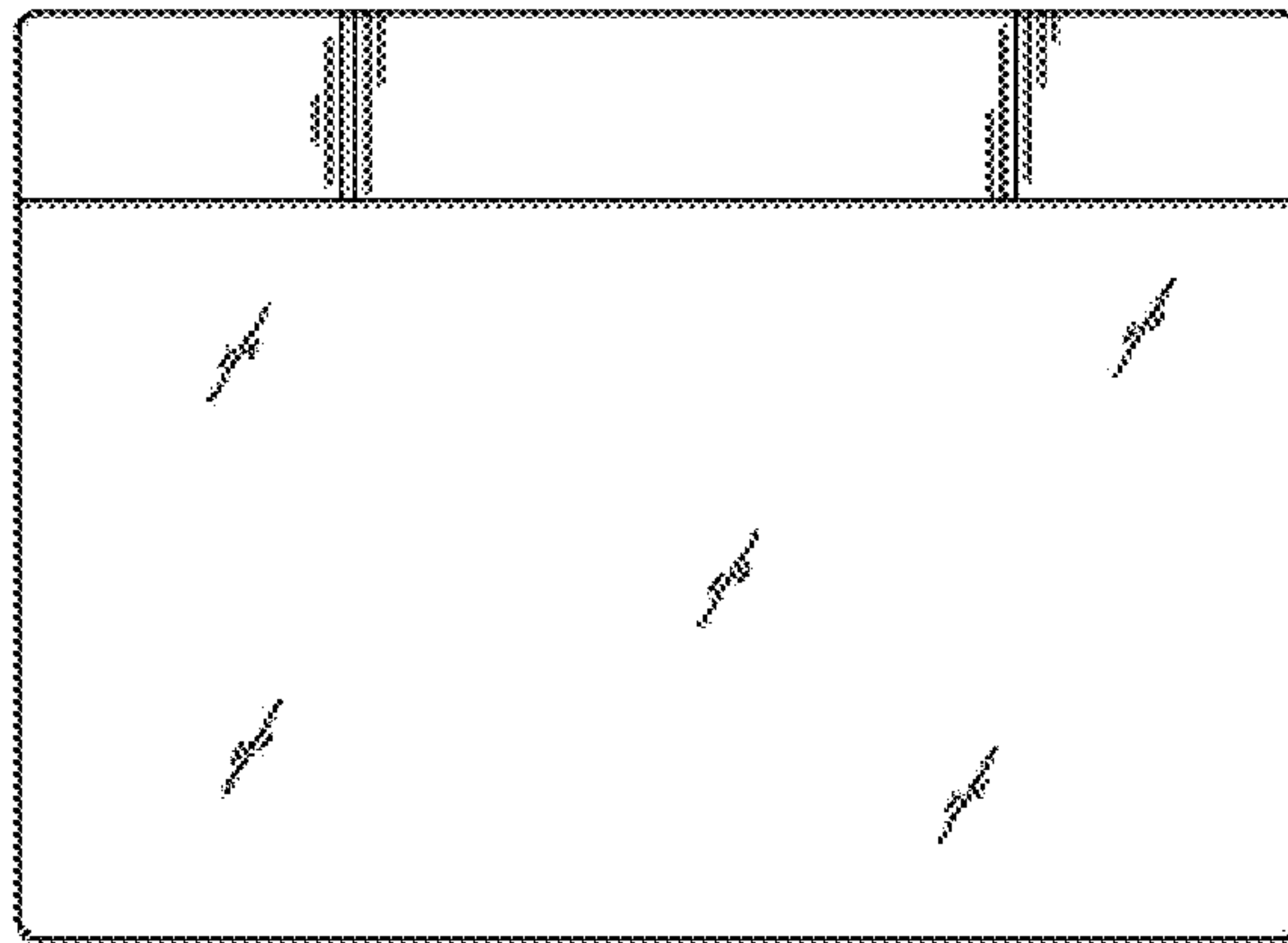


Fig. 6

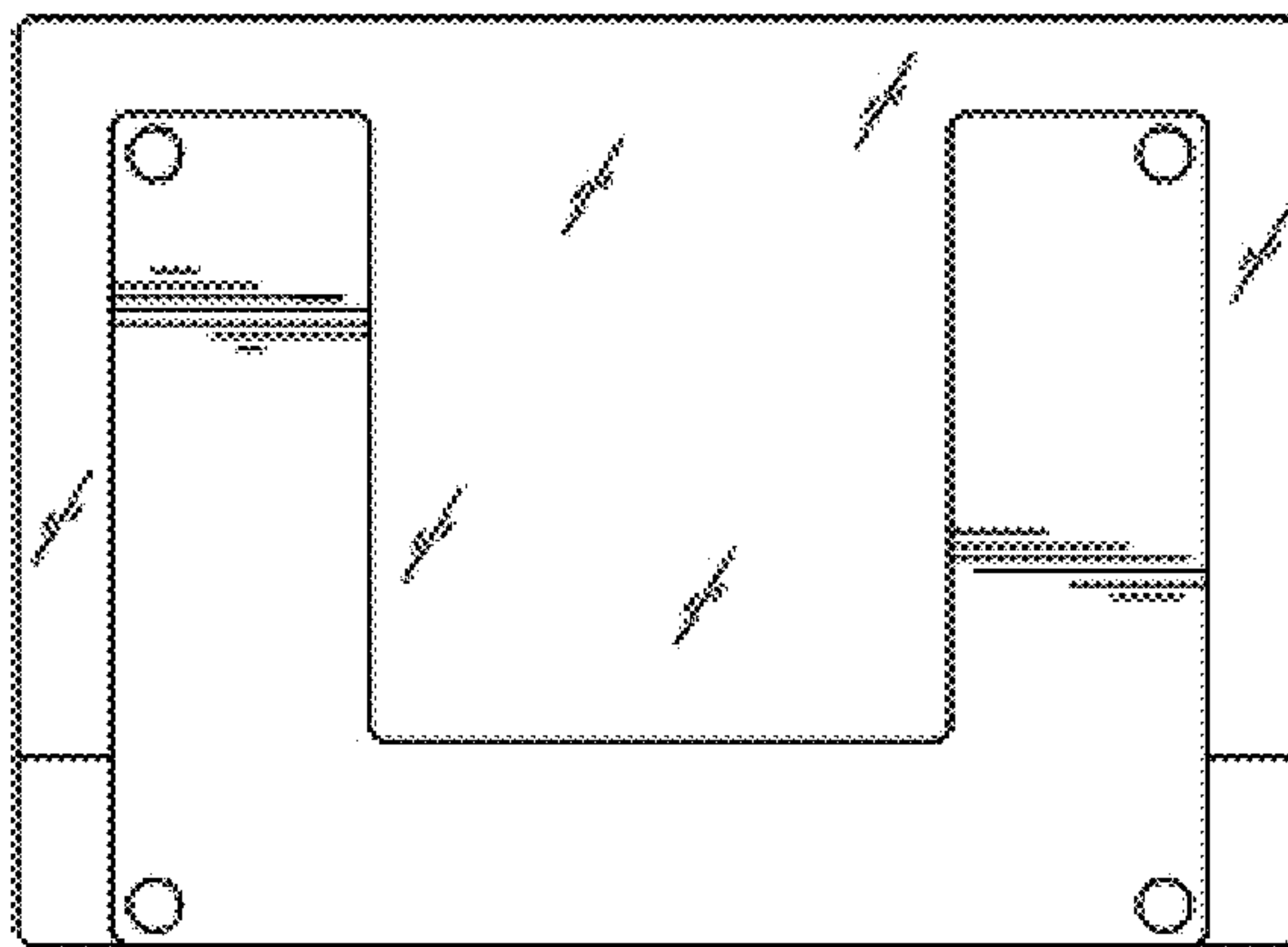


Fig. 7