



US00D732722S

(12) **United States Design Patent**  
**Kunzendorf**

(10) **Patent No.:** **US D732,722 S**  
(45) **Date of Patent:** **\*\* Jun. 23, 2015**

(54) **LED TORCH**

(71) Applicant: **Zweibrüder Optoelectronics GmbH & Co. KG**, Solingen (DE)

(72) Inventor: **Andre Kunzendorf**, Wuppertal (DE)

(73) Assignee: **Zweibrüder Optoelectronics GmbH & Co. KG**, Solingen (DE)

(\*\*) Term: **14 Years**

(21) Appl. No.: **29/434,410**

(22) Filed: **Oct. 12, 2012**

(30) **Foreign Application Priority Data**

Apr. 13, 2012 (EP) ..... 002025270-0001

(51) **LOC (10) CL.** ..... **26-02**

(52) **U.S. CL.**  
USPC ..... **D26/49**

(58) **Field of Classification Search**  
USPC ..... D26/49, 46, 37, 38; 362/157, 158, 183,  
362/184, 194-196, 202-208  
CPC ..... F21V 33/00; F21V 14/025; F21V 21/406;  
F21Y 2101/02; F21L 2003/00; F21L 2005/00;  
F21L 2/00; F21L 4/00; F21L 4/005; F21L  
17/00; F21L 13/08

See application file for complete search history.

(56) **References Cited**

U.S. PATENT DOCUMENTS

D513,642 S *	1/2006	Zhang	.....	D26/49
D583,087 S *	12/2008	Opolka	.....	D26/49
D595,440 S *	6/2009	Rivera et al.	.....	D26/49
D601,287 S *	9/2009	Caniparoli	.....	D26/49
D656,261 S *	3/2012	Lee	.....	D26/49
D659,270 S *	5/2012	Nguyen et al.	.....	D26/49
D675,357 S *	1/2013	Shi	.....	D26/49
D683,877 S *	6/2013	Brands et al.	.....	D26/49
D689,230 S *	9/2013	Yeh	.....	D26/49

\* cited by examiner

*Primary Examiner* — Ian Simmons

*Assistant Examiner* — Carissa C Fitts

(74) *Attorney, Agent, or Firm* — McGlew and Tuttle, P.C.

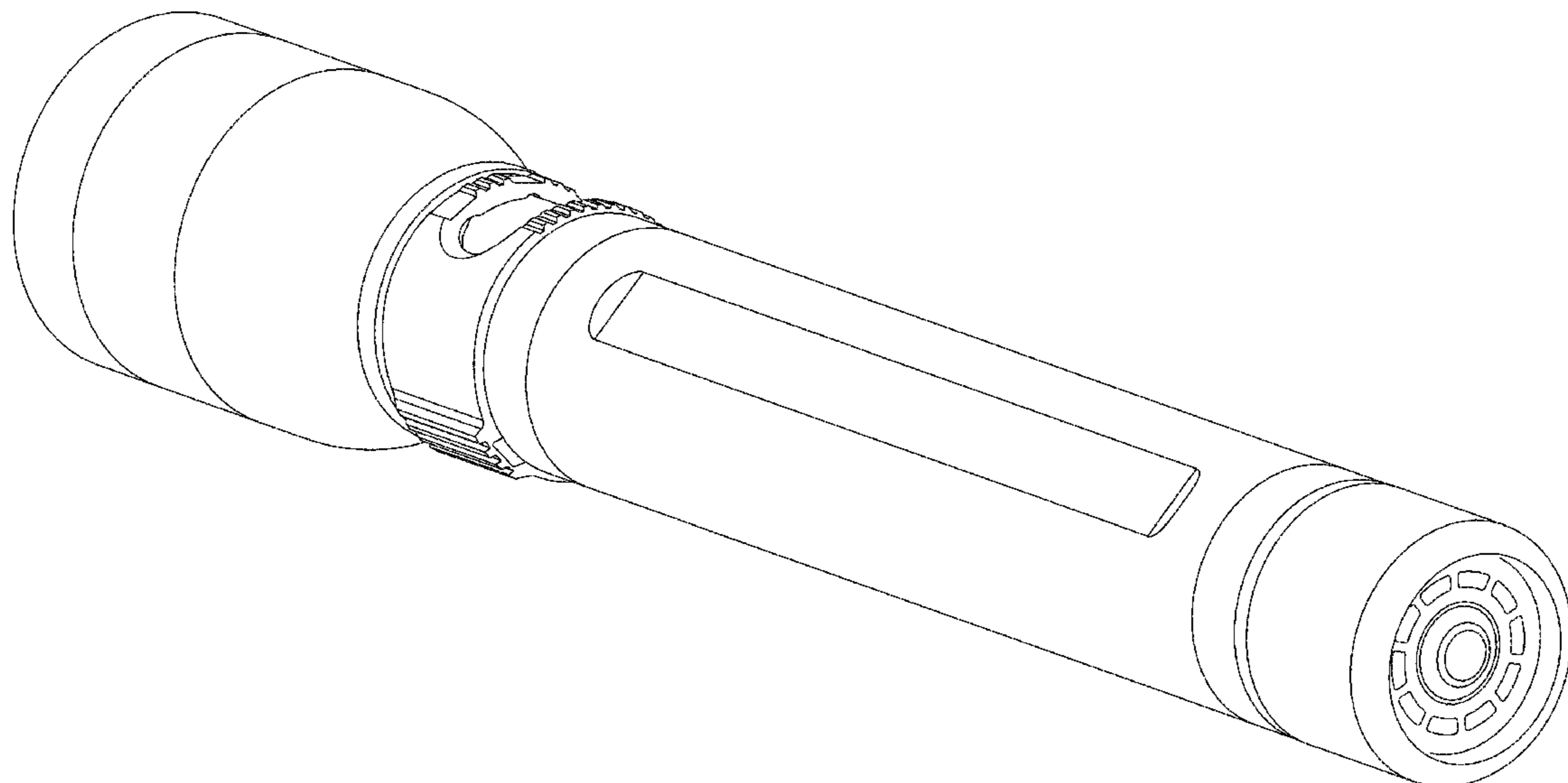
(57) **CLAIM**

The ornamental design for a LED torch, as shown and described.

**DESCRIPTION**

FIG. 1 is a top view of my new LED torch design;  
FIG. 2 is a bottom view thereof;  
FIG. 3 is a right side view thereof;  
FIG. 4 is a left side view thereof;  
FIG. 5 is an enlarged front end view thereof;  
FIG. 6 is an enlarged front end view thereof; and,  
FIG. 7 is a perspective view thereof.  
The broken line showing represents unclaimed details only and forms no part of the claimed design.

**1 Claim, 7 Drawing Sheets**



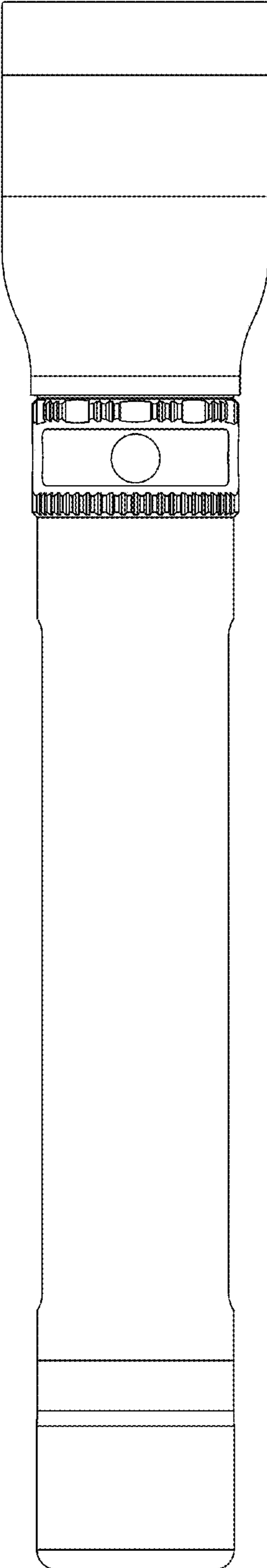


Fig. 1

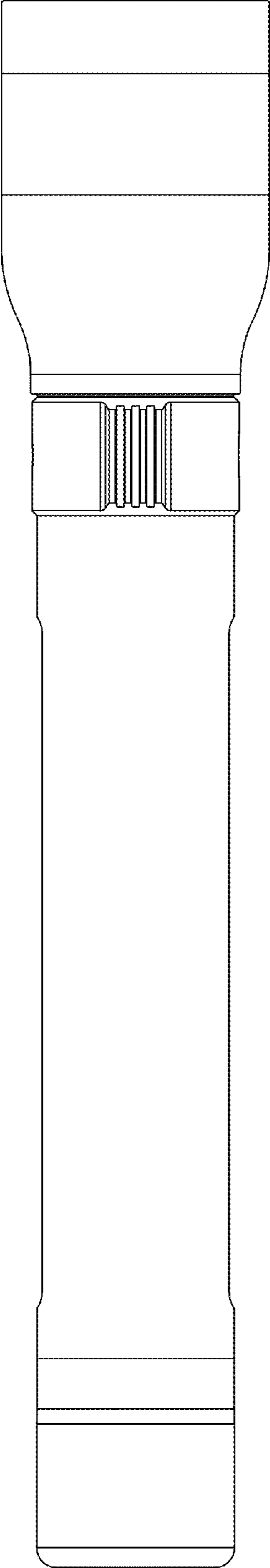


Fig. 2

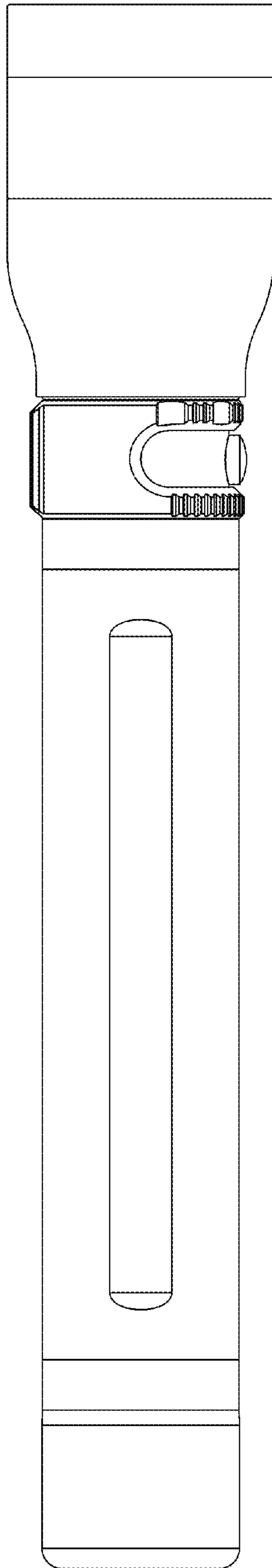


Fig. 3

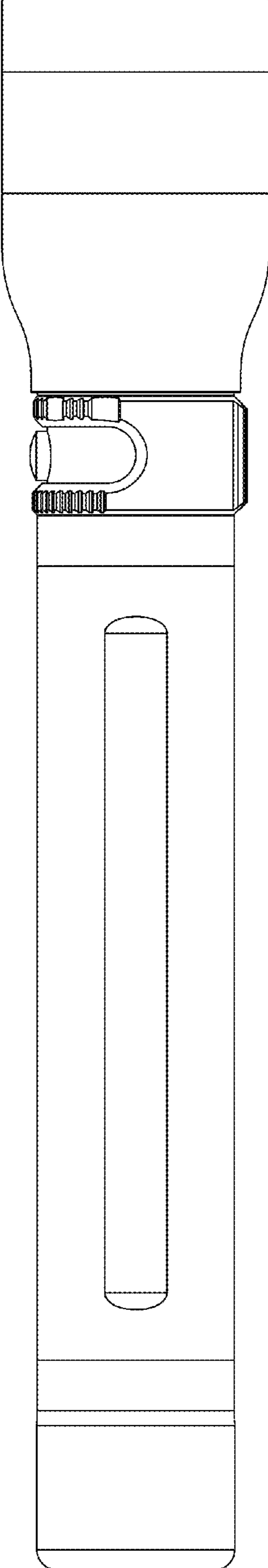


Fig. 4

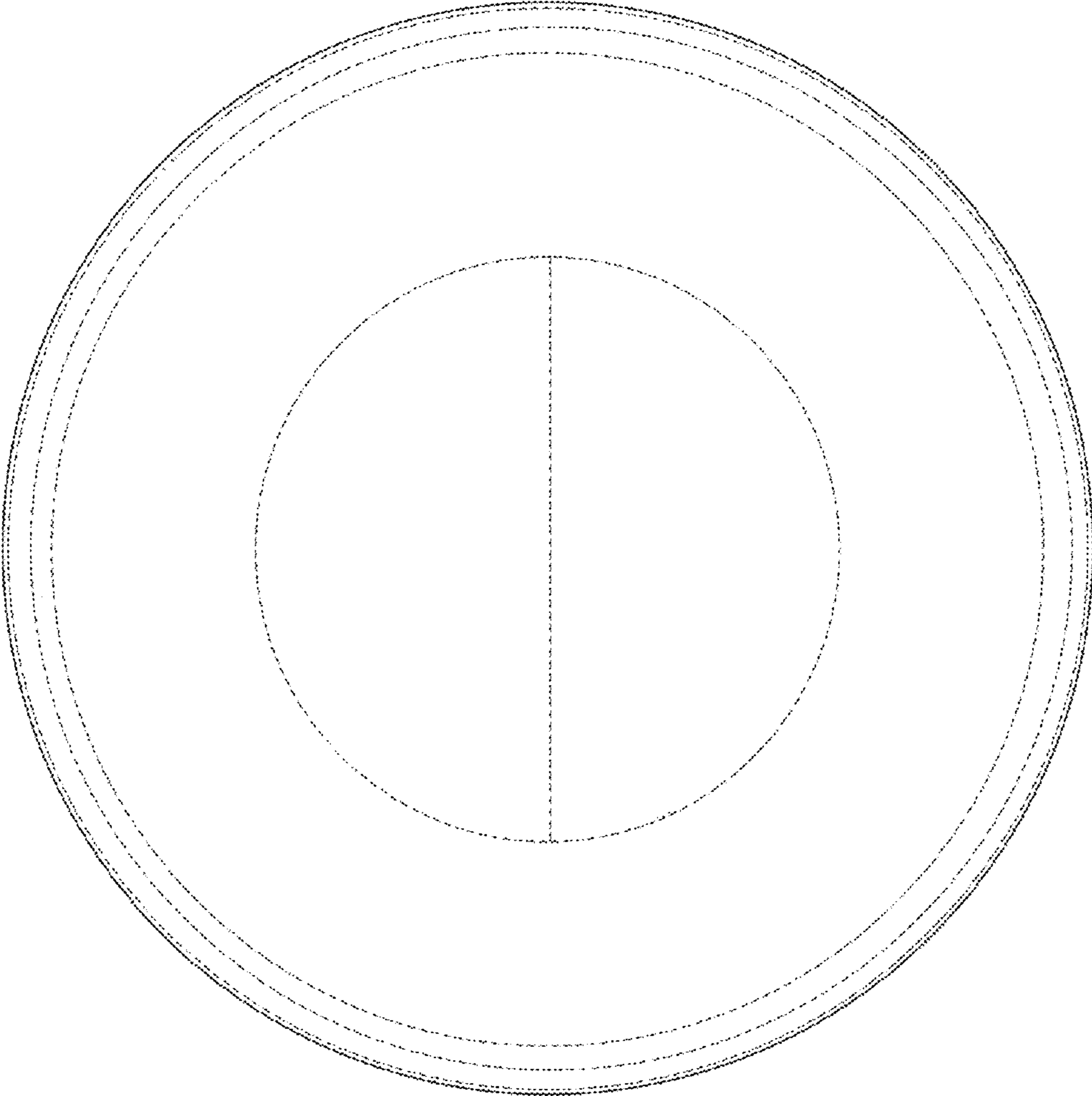


Fig. 5

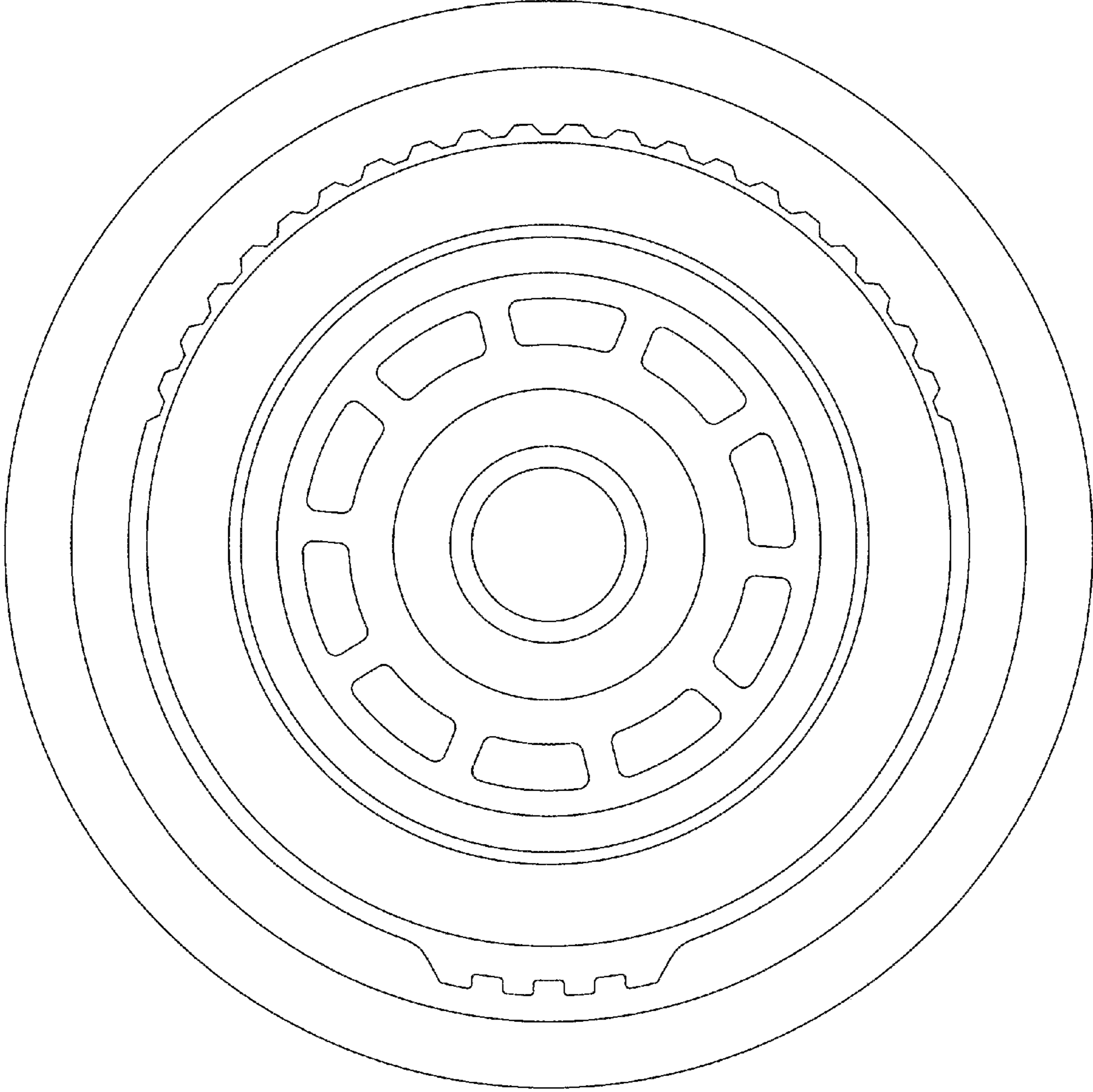


Fig. 6

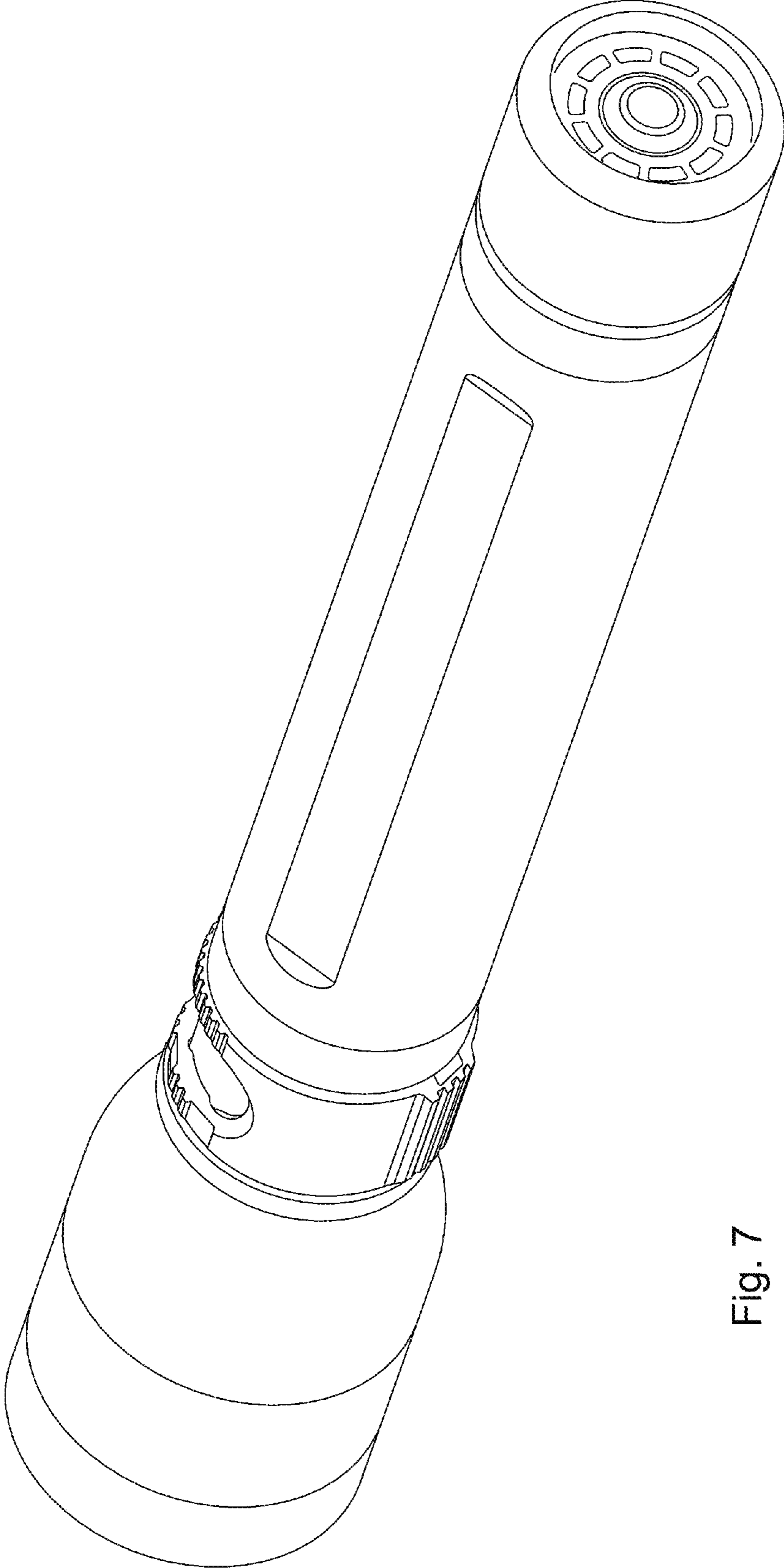


Fig. 7