

US00D732721S

(12) **United States Design Patent**
Popper et al.

(10) **Patent No.:** **US D732,721 S**
(45) **Date of Patent:** **** Jun. 23, 2015**

(54) **FLASHLIGHT**

(75) Inventors: **Richard S. Popper**, Scottsdale, AZ
(US); **Jensen Jorgensen**, Scottsdale, AZ
(US)

(73) Assignee: **XGlow P/T, LLC**, Scottsdale, AZ (US)

(**) Term: **14 Years**

(21) Appl. No.: **29/429,229**

(22) Filed: **Aug. 8, 2012**

(51) **LOC (10) Cl.** **26-02**

(52) **U.S. Cl.**
USPC **D26/49**

(58) **Field of Classification Search**
USPC D26/37, 38, 46, 49; 362/157, 158, 183,
362/184, 194-196, 202-208
CPC F21V 33/00; F21V 14/025; F21V 21/406;
F21Y 2101/02; F21L 2003/00; F21L 2005/00;
F21L 2/00; F21L 4/00; F21L 4/005; F21L
17/00; F21L 13/08
See application file for complete search history.

(56) **References Cited**

U.S. PATENT DOCUMENTS

D169,981 S * 7/1953 Lambert D26/49
D412,590 S * 8/1999 Parsons D26/49
D504,530 S * 4/2005 Shiu D26/37
7,278,764 B2 * 10/2007 Kim 362/382

D599,928 S * 9/2009 Shiu D26/49
D629,544 S * 12/2010 Deguglimo et al. D26/49
D629,545 S * 12/2010 Deguglimo et al. D26/49
D629,940 S * 12/2010 Osterhout D26/49
D671,249 S * 11/2012 Sheikh et al. D26/38
D674,943 S * 1/2013 Sheikh et al. D26/38
D675,358 S * 1/2013 Brands et al. D26/49
D685,939 S * 7/2013 Cooper D26/49
D685,940 S * 7/2013 Lee D26/49
D688,827 S * 8/2013 Popper et al. D26/118

* cited by examiner

Primary Examiner — Ian Simmons

Assistant Examiner — Carissa C Fitts

(74) *Attorney, Agent, or Firm* — Stephen C. Beuerle;
Procopio Cory Hargreaves & Savitch LLP

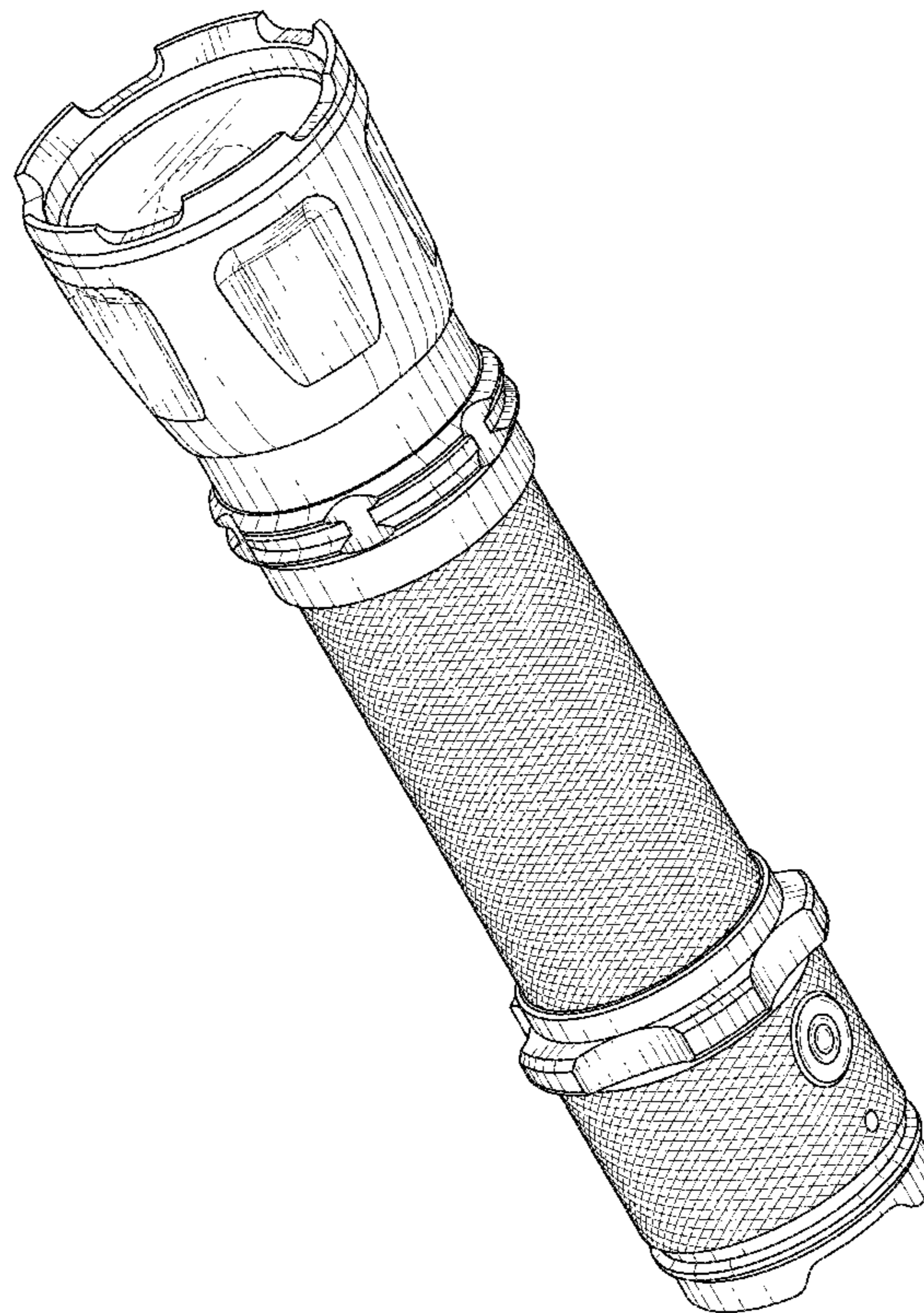
(57) **CLAIM**

The ornamental design for a flashlight, as shown and described.

DESCRIPTION

FIG. 1 is a perspective view of the flashlight;
FIG. 2 is a front elevational view of the flashlight;
FIG. 3 is a rear elevational view of the flashlight;
FIG. 4 is a right side elevational view of the flashlight;
FIG. 5 is a left side elevational view of the flashlight;
FIG. 6 is a top plan view of the flashlight; and,
FIG. 7 is a bottom plan view of the flashlight.
The broken line showing is for environmental purposes only
and forms no part of the claimed design.

1 Claim, 4 Drawing Sheets



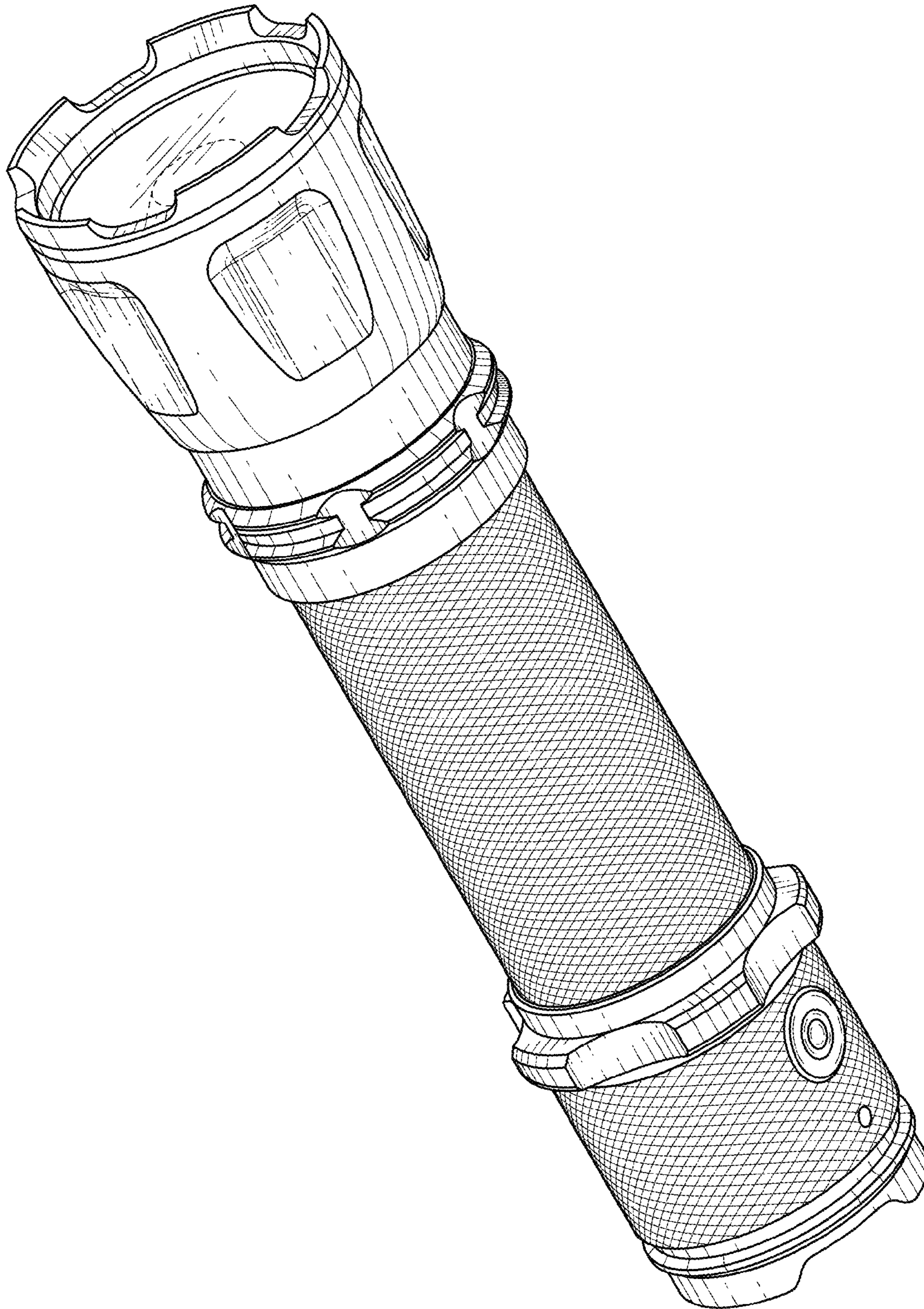


FIG. 1

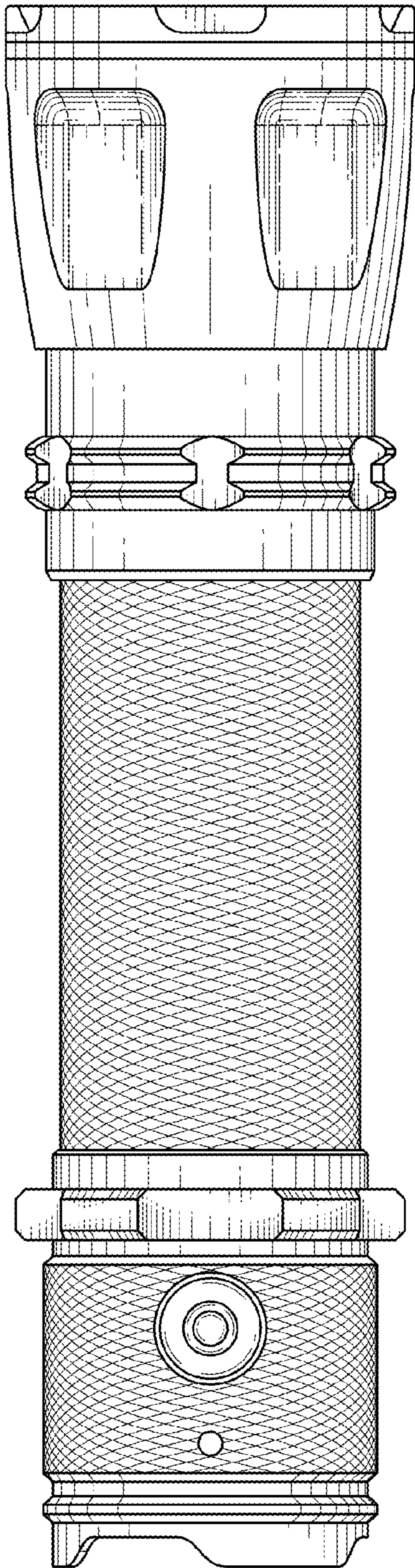


FIG. 2

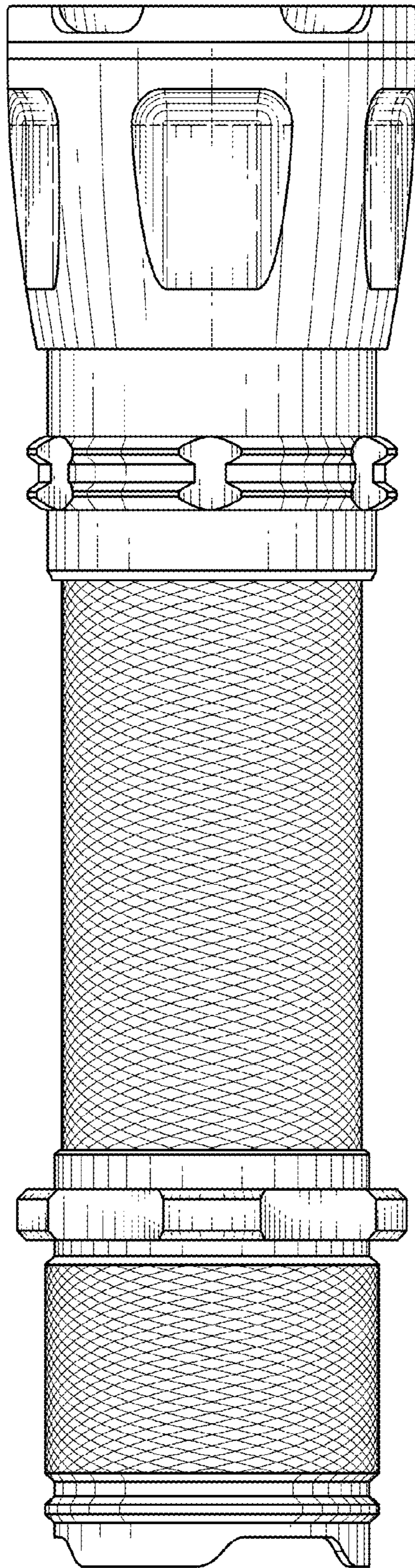


FIG. 3

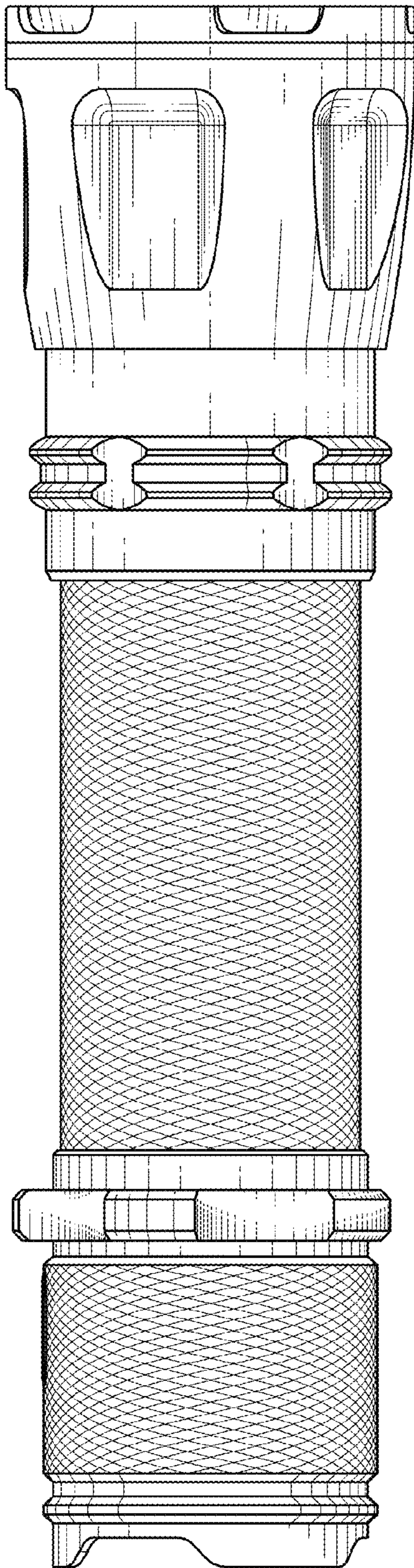


FIG. 4

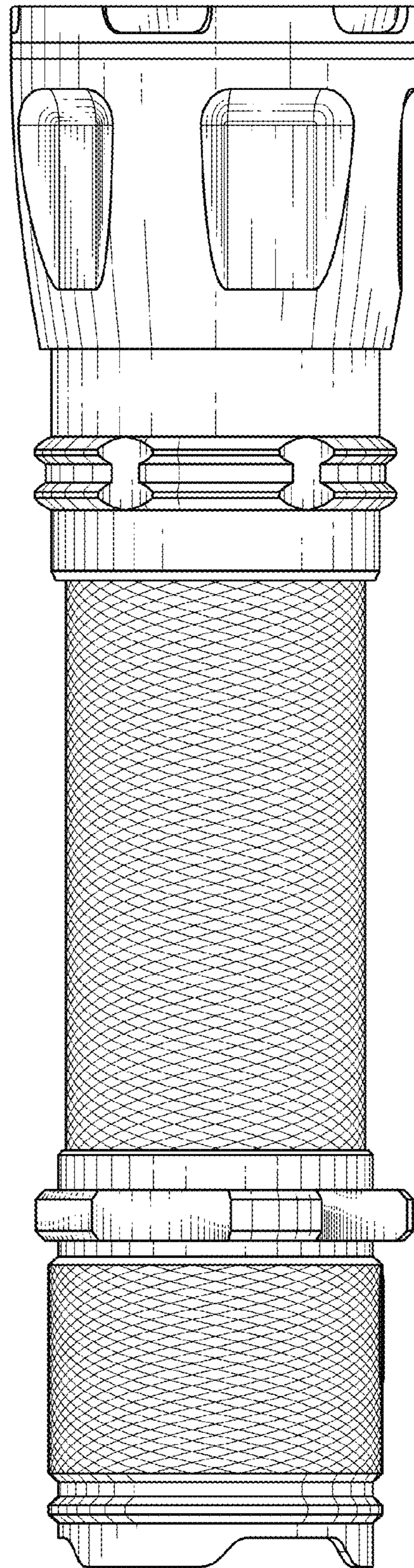


FIG. 5

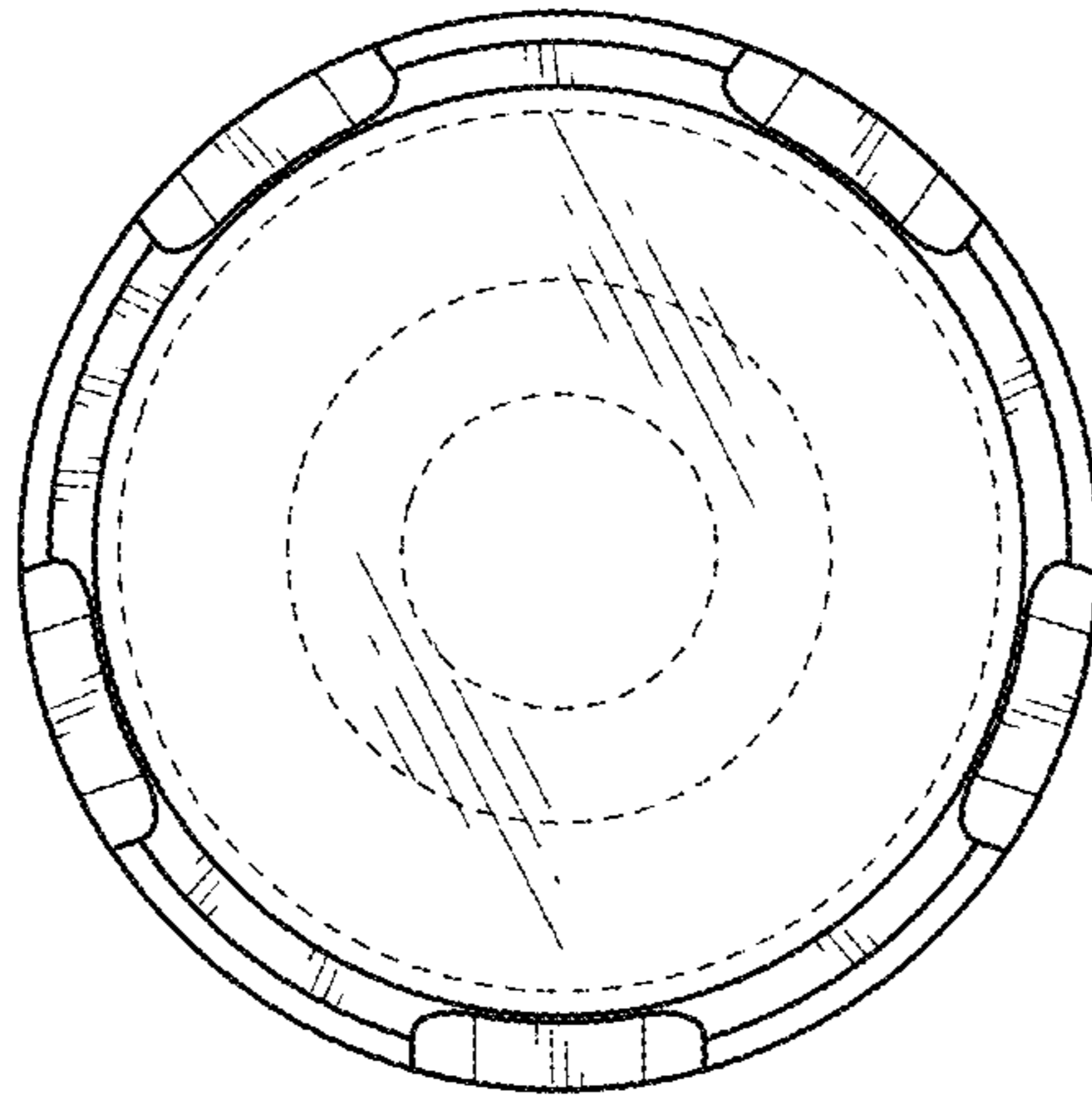


FIG. 6

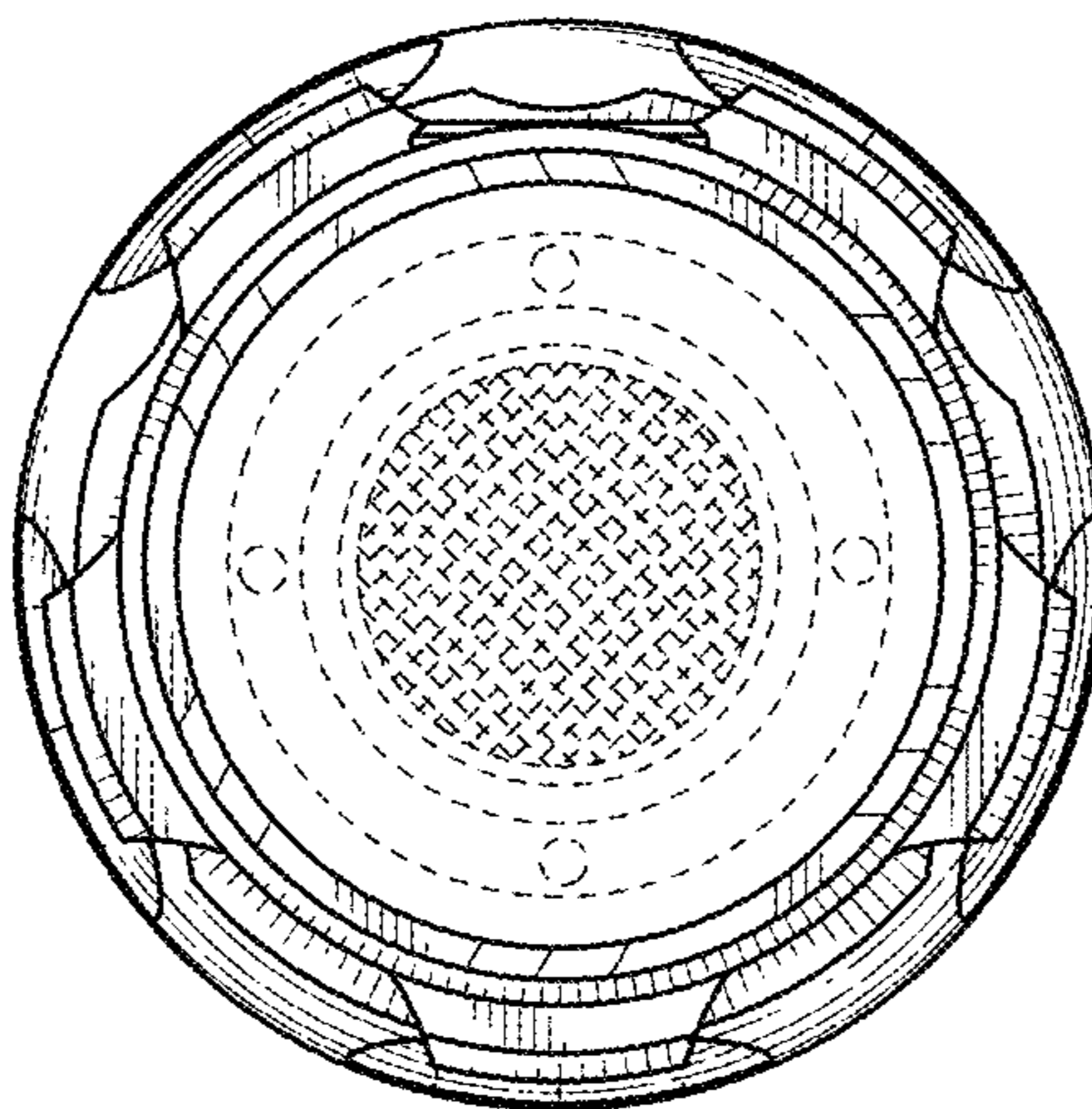


FIG. 7