



US00D732720S

(12) **United States Design Patent**
Mays et al.

(10) **Patent No.:** **US D732,720 S**
(45) **Date of Patent:** **** Jun. 23, 2015**

(54) **VEHICLE HEADLAMP**

- (71) Applicant: **Ford Motor Company**, Dearborn, MI (US)
- (72) Inventors: **J C. Mays**, Bloomfield Hills, MI (US);
Moray S. Callum, Ann Arbor, MI (US);
Joel Piaskowski, Brighton (AU);
Darrell Behmer, Novi, MI (US); **Kemal Curic**, West Bloomfield, MI (US); **Tyler J. Blake**, Rancho Santa Margarita, CA (US)
- (73) Assignee: **Ford Motor Company**, Dearborn, MI (US)
- (**) Term: **14 Years**
- (21) Appl. No.: **29/476,647**
- (22) Filed: **Dec. 16, 2013**

Related U.S. Application Data

- (63) Continuation of application No. 29/469,983, filed on Oct. 16, 2013, now Pat. No. Des. 710,762.
 - (51) **LOC (10) Cl.** **26-06**
 - (52) **U.S. Cl.**
USPC **D26/28**
 - (58) **Field of Classification Search**
USPC D26/28-36; 362/459-468, 475-478,
362/485-487
- See application file for complete search history.

(56) **References Cited**

U.S. PATENT DOCUMENTS

D508,136 S *	8/2005	Pfeiffer	D26/28
D518,581 S *	4/2006	Osawa	D26/28
D528,231 S *	9/2006	Ikeda	D26/28
D535,409 S *	1/2007	Yamaguchi	D26/28
D544,614 S *	6/2007	Markefka	D26/28
D561,358 S *	2/2008	Tachibana	D26/28

* cited by examiner

Primary Examiner — Marcus Jackson

(74) *Attorney, Agent, or Firm* — Damian Porcari

(57) **CLAIM**

The ornamental design for a vehicle headlamp, as shown and described.

DESCRIPTION

FIG. 1 is a left side elevational view of a left vehicle headlamp (the right vehicle headlamp being a mirror image and is not shown);
 FIG. 2 is a right side elevational view thereof;
 FIG. 3 is a front elevational view thereof;
 FIG. 4 is a top plan view thereof;
 FIG. 5 is a bottom plan view thereof;
 FIG. 6 is a perspective view thereof; and,
 FIG. 7 is another perspective view thereof.

1 Claim, 7 Drawing Sheets



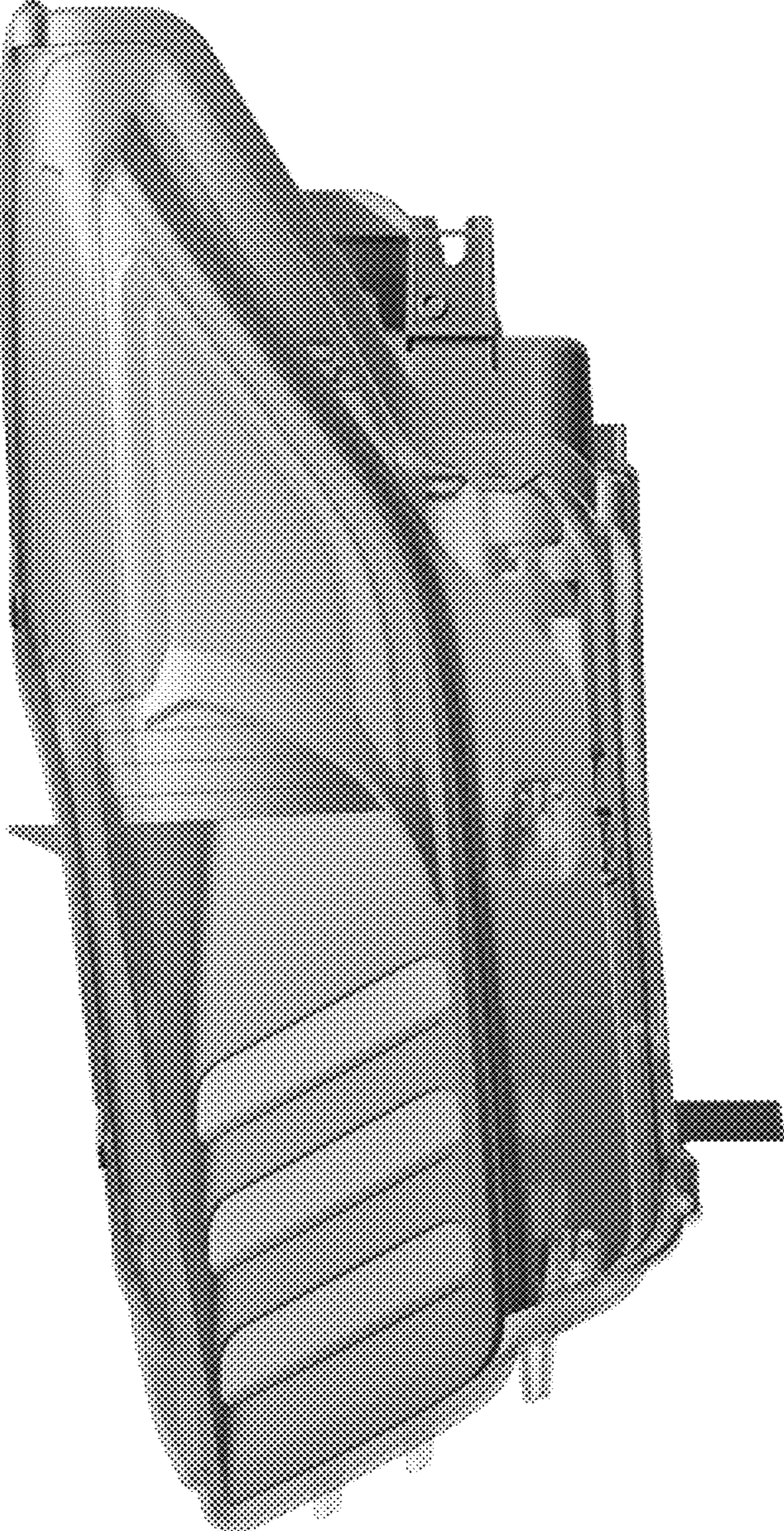


Figure 1

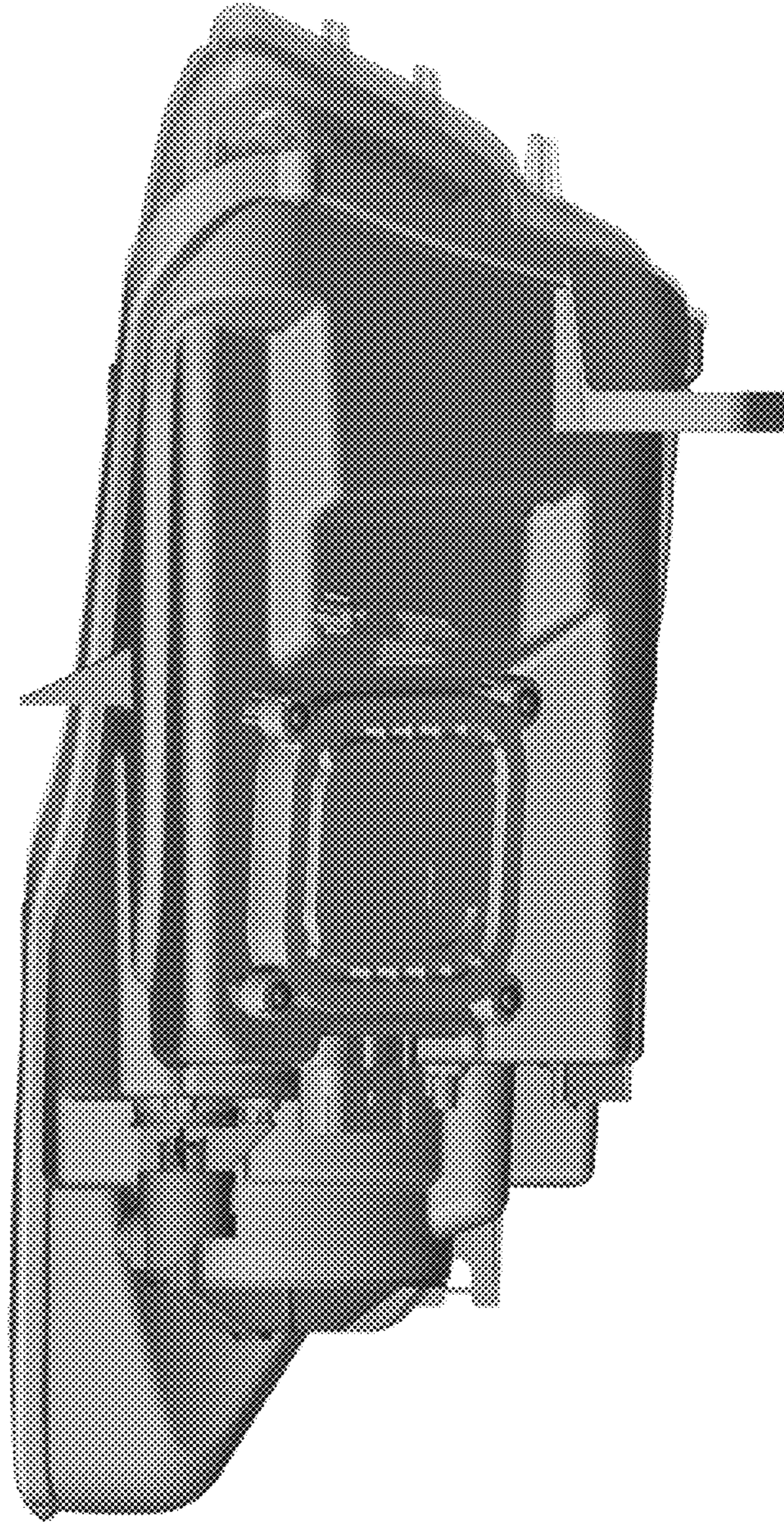


Figure 2

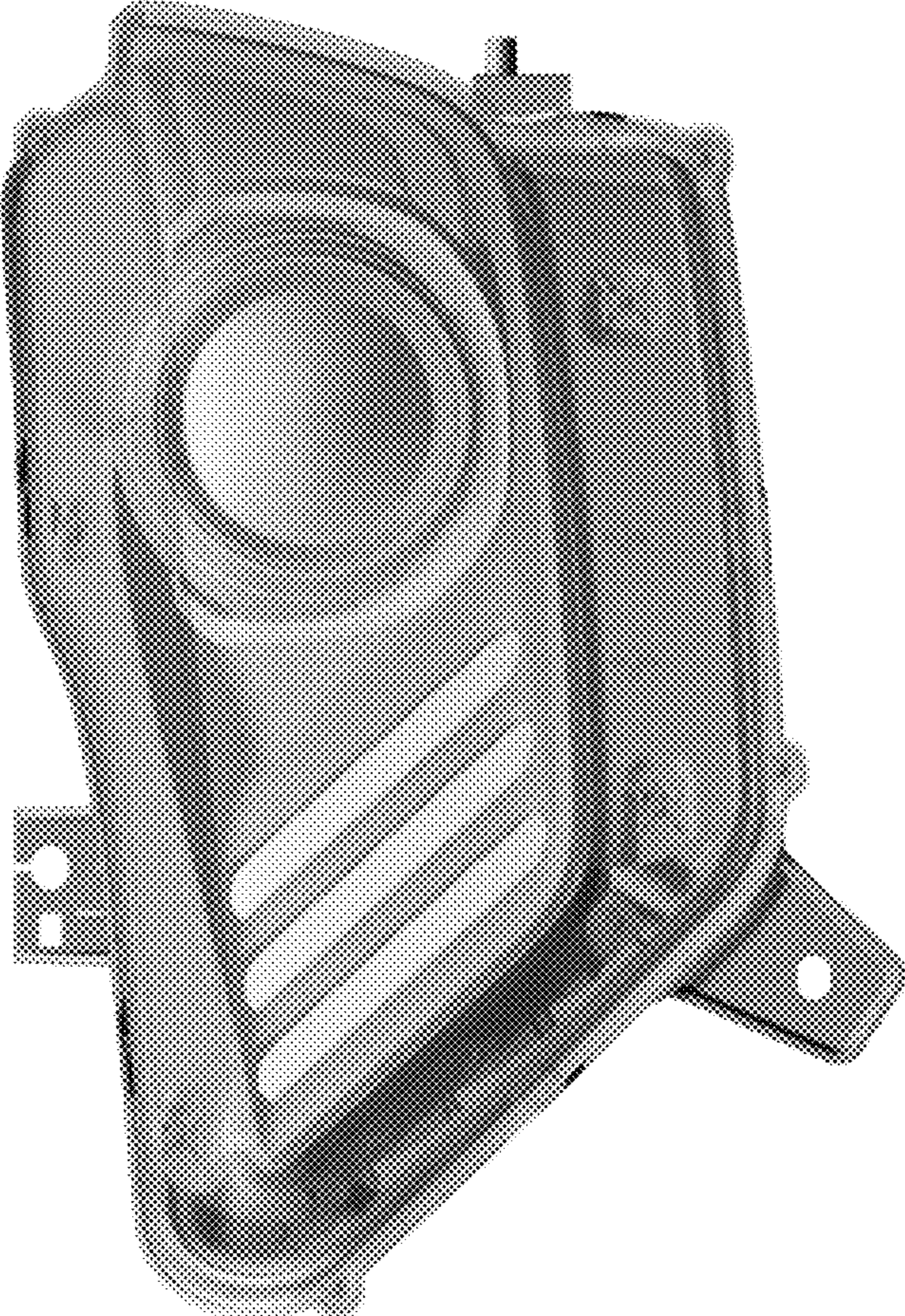


Figure 3

Figure 4

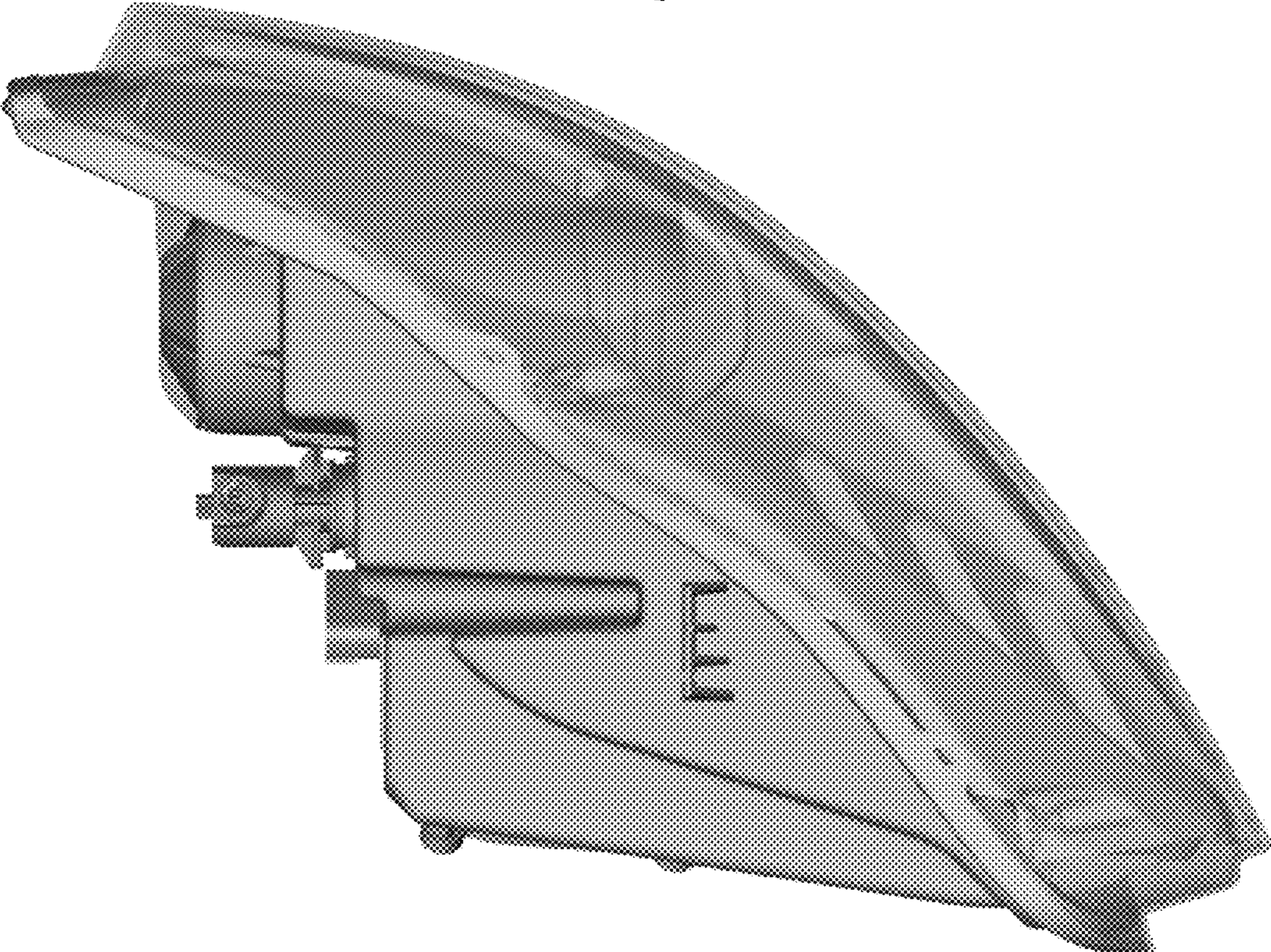


Figure 5

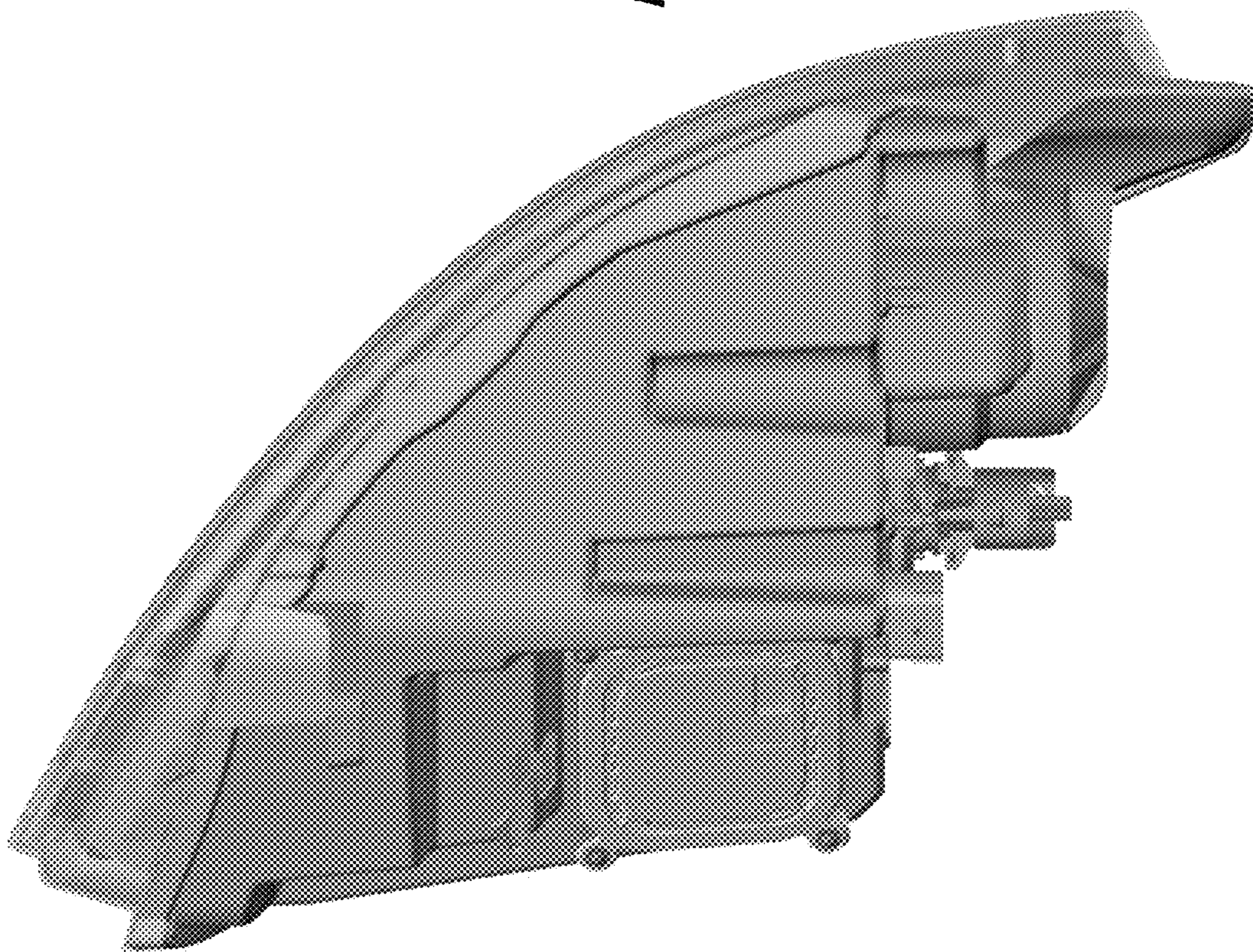




Figure 6

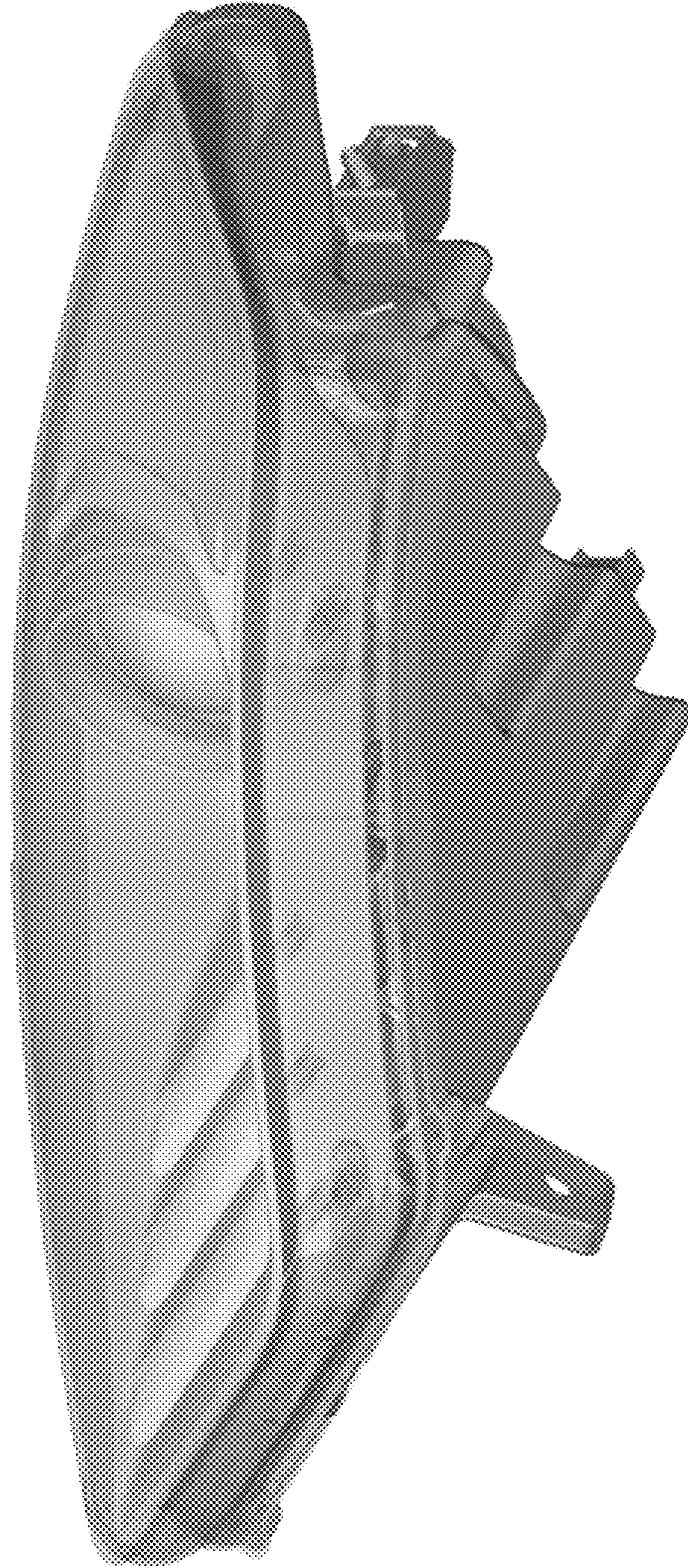


Figure 7