



US00D732719S

(12) **United States Design Patent**  
**Mozdzer**

(10) **Patent No.:** **US D732,719 S**  
(45) **Date of Patent:** **\*\* Jun. 23, 2015**

(54) **DUPLEX RECEPTACLE WITH NIGHTLIGHT**

(56) **References Cited**

(71) Applicant: **Hubbell Incorporated**, Shelton, CT (US)

U.S. PATENT DOCUMENTS

(72) Inventor: **Mark A. Mozdzer**, Derby, CT (US)

2,612,597 A 9/1952 Sherrard  
3,588,489 A 6/1971 Gaines  
4,000,405 A 12/1976 Horwinski  
D269,341 S \* 6/1983 Doyle et al. .... D13/139.3  
D269,427 S \* 6/1983 Doyle et al. .... D13/139.3

(73) Assignee: **HUBBELL INCORPORATED**, Shelton, CT (US)

(Continued)

(\*\*) Term: **14 Years**

FOREIGN PATENT DOCUMENTS

(21) Appl. No.: **29/486,358**

CN 201238097 Y \* 5/2009 ..... H01R 13/477

(22) Filed: **Mar. 28, 2014**

*Primary Examiner* — Cynthia Ramirez

*Assistant Examiner* — Llorellys Martinez-Rivera

**Related U.S. Application Data**

(62) Division of application No. 29/448,419, filed on Mar. 12, 2013, now Pat. No. Des. 711,828.

(74) *Attorney, Agent, or Firm* — Roylance, Abrams, Berdo & Goodman, L.L.P.

(51) **LOC (10) CI.** ..... **26-05**

(57) **CLAIM**

(52) **U.S. Cl.**  
USPC ..... **D26/26; D13/139.1**

The ornamental design for the duplex receptacle with night-light, as shown and described.

(58) **Field of Classification Search**

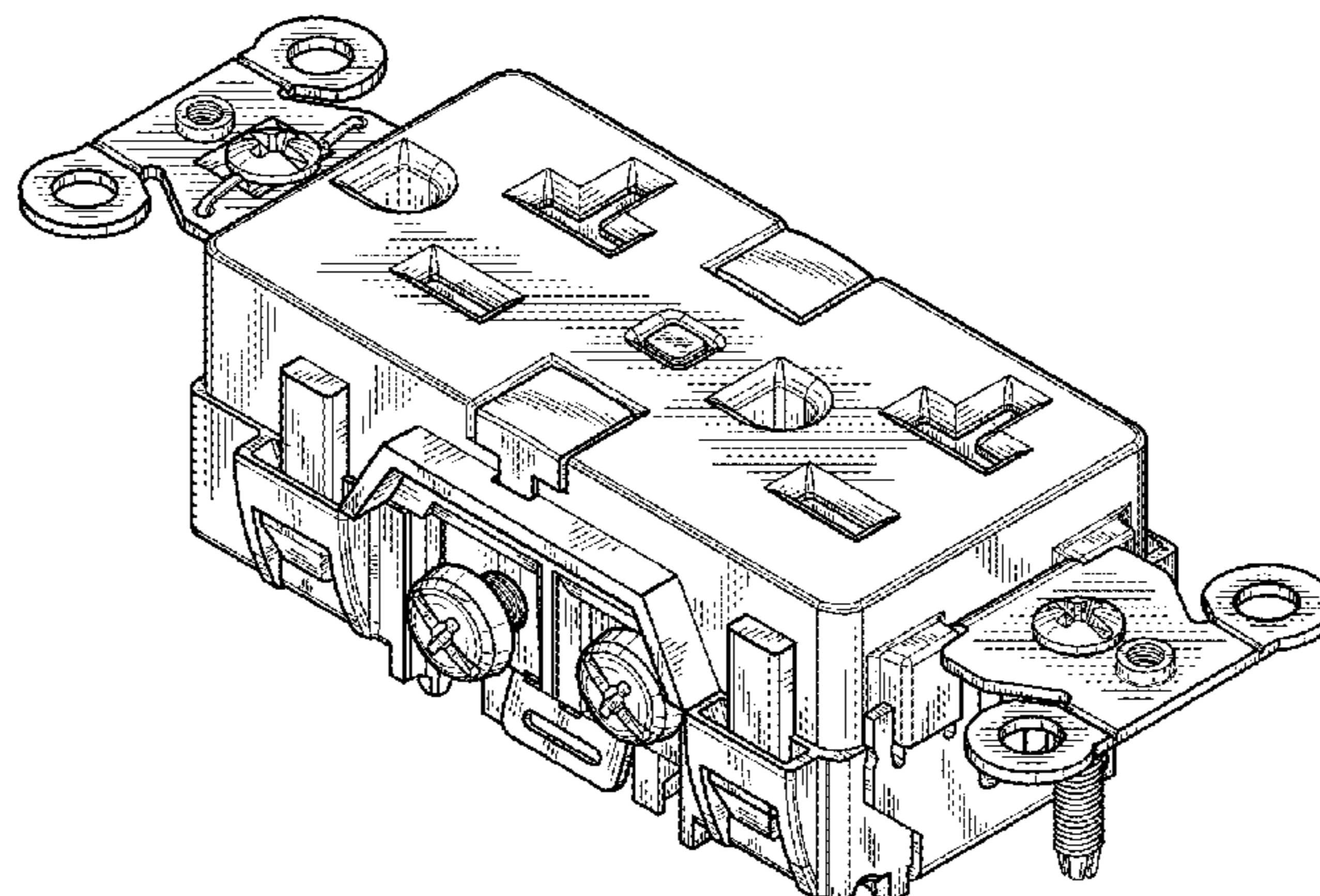
USPC ..... D26/24, 26, 51, 67, 72-74, 88, 89, 113, D26/118, 122-124; 362/23.21, 42, 95, 137, 362/145, 147, 153, 155, 188, 194, 216, 219, 362/223, 353, 362, 364, 365, 368, 373, 378, 362/421, 432, 437, 439, 456, 473-476, 362/543-545, 551, 606, 611, 612, 615, 630, 362/640-645, 646, 652, 653, 659; D14/138 R, 138 G; D13/101, 107, 108, D13/110, 123, 133, 137.1-137.4, 138.1, D13/138.2, 139.1-139.9, 154, 184, 199; 174/66, 67, 493, 494; 307/111, 114; 363/15, 34, 146; 439/101, 102, 105, 439/106, 108, 131, 166, 172-175, 177, 439/476.1, 578, 583, 620.15, 628  
CPC ..... F21S 8/035; F21Y 2103/025; F21W 2121/00; F21V 21/08; F21V 21/29; F21V 23/04; H01R 13/713; H01R 24/76; H01R 24/68

**DESCRIPTION**

FIG. 1 is a perspective view of a duplex receptacle with nightlight showing my new design;  
FIG. 2 is a front view of the duplex receptacle with nightlight of FIG. 1;  
FIG. 3 is a rear view of the duplex receptacle with nightlight of FIG. 1;  
FIG. 4 is a left side view of the duplex receptacle with nightlight of FIG. 1;  
FIG. 5 is a right side view of the duplex receptacle with nightlight of FIG. 1;  
FIG. 6 is an end view of the duplex receptacle with nightlight taken from the right side of FIG. 4; and,  
FIG. 7 is an end view of the duplex receptacle with nightlight taken from the left side of FIG. 4.

See application file for complete search history.

**1 Claim, 2 Drawing Sheets**



(56)

References Cited

U.S. PATENT DOCUMENTS

D269,430	S *	6/1983	Doyle et al. ....	D13/139.3	7,586,718	B1	9/2009	Radosavljevic et al.	
4,872,081	A	10/1989	Murphy et al.		D604,873	S *	11/2009	Richter et al. ....	D26/26
5,306,157	A *	4/1994	Francisco .....	439/52	7,619,861	B2	11/2009	Weeks et al.	
5,484,309	A *	1/1996	Howard et al. ....	439/539	7,645,148	B2	1/2010	Carbone et al.	
5,917,391	A *	6/1999	Mahaney et al. ....	335/18	7,645,149	B2	1/2010	Carbone et al.	
6,015,303	A *	1/2000	Bonilla et al. ....	439/107	7,724,557	B2	5/2010	Ganta Papa Rao Bla et al.	
D430,539	S *	9/2000	Leopold et al. ....	D13/139.3	7,724,724	B2	5/2010	Yoshida et al.	
6,386,725	B1	5/2002	Amburgey		7,736,174	B2	6/2010	Bhosale et al.	
6,398,594	B1 *	6/2002	Bonilla et al. ....	439/731	7,749,019	B2 *	7/2010	Valentin et al. ....	439/538
6,437,700	B1	8/2002	Herzfeld et al.		7,758,234	B1	7/2010	Savicki, Jr. et al.	
6,547,411	B1	4/2003	Dornbusch		7,790,982	B2	9/2010	Weeks et al.	
6,805,469	B1	10/2004	Barton		D631,440	S *	1/2011	Lamoureux et al. ....	D13/139.1
6,827,602	B2 *	12/2004	Greene et al. ....	439/490	7,862,350	B2	1/2011	Richter et al.	
6,929,376	B2 *	8/2005	Harris .....	362/276	7,869,171	B2	1/2011	Weeks et al.	
7,034,224	B2 *	4/2006	Kim et al. ....	174/53	7,938,676	B1 *	5/2011	Patel et al. ....	439/489
D521,932	S *	5/2006	Fort et al. ....	D13/139.6	7,999,485	B1	8/2011	Richards et al.	
D531,121	S *	10/2006	Fort et al. ....	D13/139.3	8,120,882	B1	2/2012	Radosavljevic et al.	
7,118,235	B2	10/2006	Barton		8,194,368	B2	6/2012	Weeks et al.	
D535,255	S *	1/2007	Bazayev et al. ....	D13/139.3	D666,973	S *	9/2012	Junko et al. ....	D13/139.3
D535,256	S *	1/2007	Fort et al. ....	D13/139.3	D674,735	S	1/2013	Kato	
D536,305	S *	2/2007	Fort et al. ....	D13/139.6	D674,753	S *	1/2013	Jansen et al. ....	D13/139.1
D542,223	S *	5/2007	Bazayev et al. ....	D13/139.3	8,347,491	B1 *	1/2013	Baldwin et al. ....	29/758
7,213,932	B1	5/2007	Savicki, Jr.		D686,577	S *	7/2013	Flagello .....	D13/152
D545,272	S *	6/2007	Zhang et al. ....	D13/139.3	D692,385	S *	10/2013	Dodal et al. ....	D13/139.1
7,285,721	B1	10/2007	Savicki, Jr.		D711,828	S *	8/2014	Mozdzer .....	D13/139.1
D558,676	S *	1/2008	Fort et al. ....	D13/139.3	2003/0092297	A1	5/2003	Reindle et al.	
7,315,437	B2 *	1/2008	Bonilla et al. ....	361/42	2006/0276144	A1 *	12/2006	Campbell .....	455/90.3
7,479,031	B2 *	1/2009	Tiberio et al. ....	439/538	2007/0026701	A1 *	2/2007	Kurek et al. ....	439/107
7,510,412	B1 *	3/2009	Valentin .....	439/145	2008/0073117	A1	3/2008	Misener	
D598,859	S *	8/2009	Vaccaro et al. ....	D13/139.3	2009/0141477	A1 *	6/2009	Bhosale et al. ....	362/295
					2011/0228552	A1	9/2011	Kevelos et al.	
					2012/0039086	A1	2/2012	Jansen et al.	

\* cited by examiner



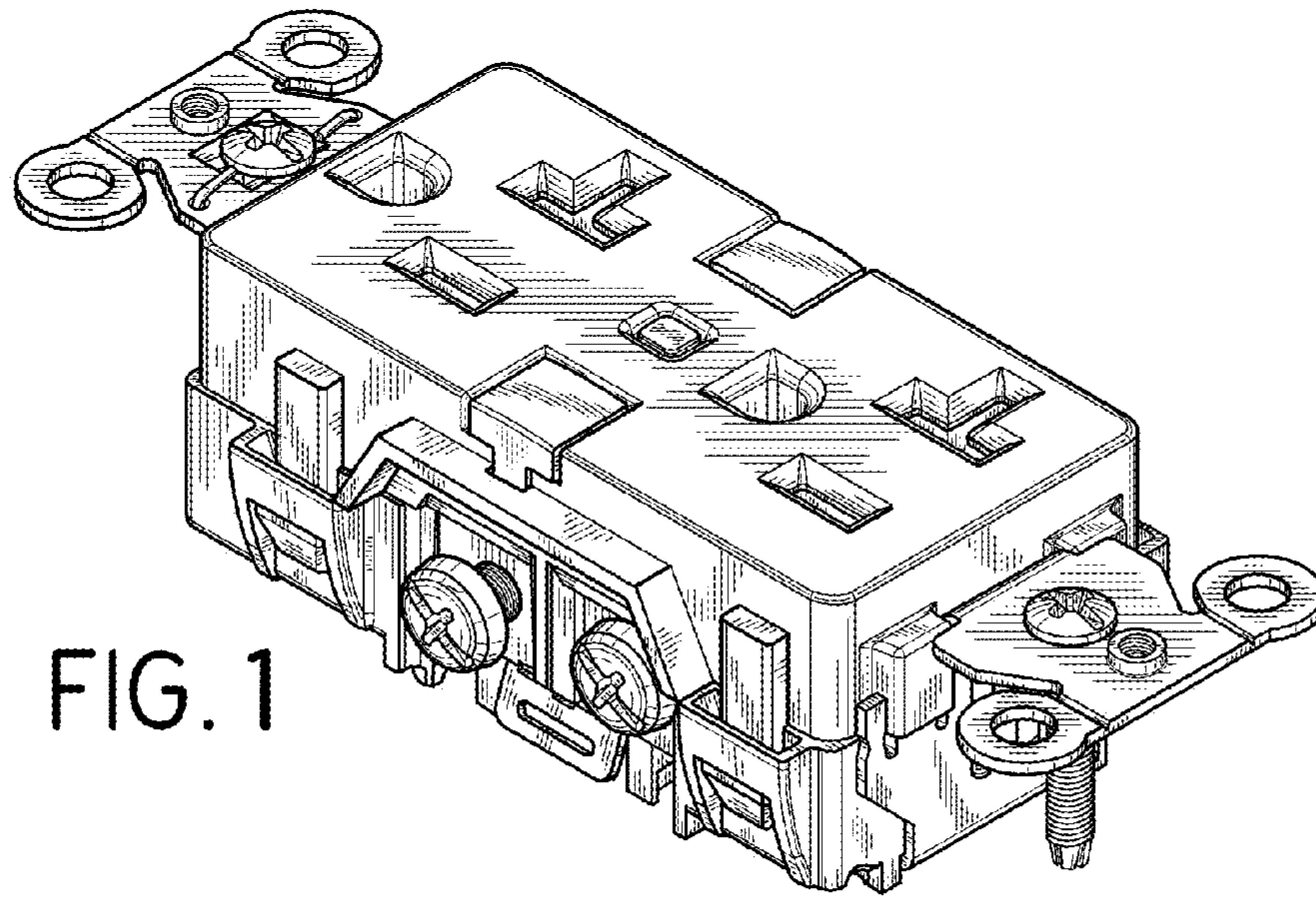


FIG. 1

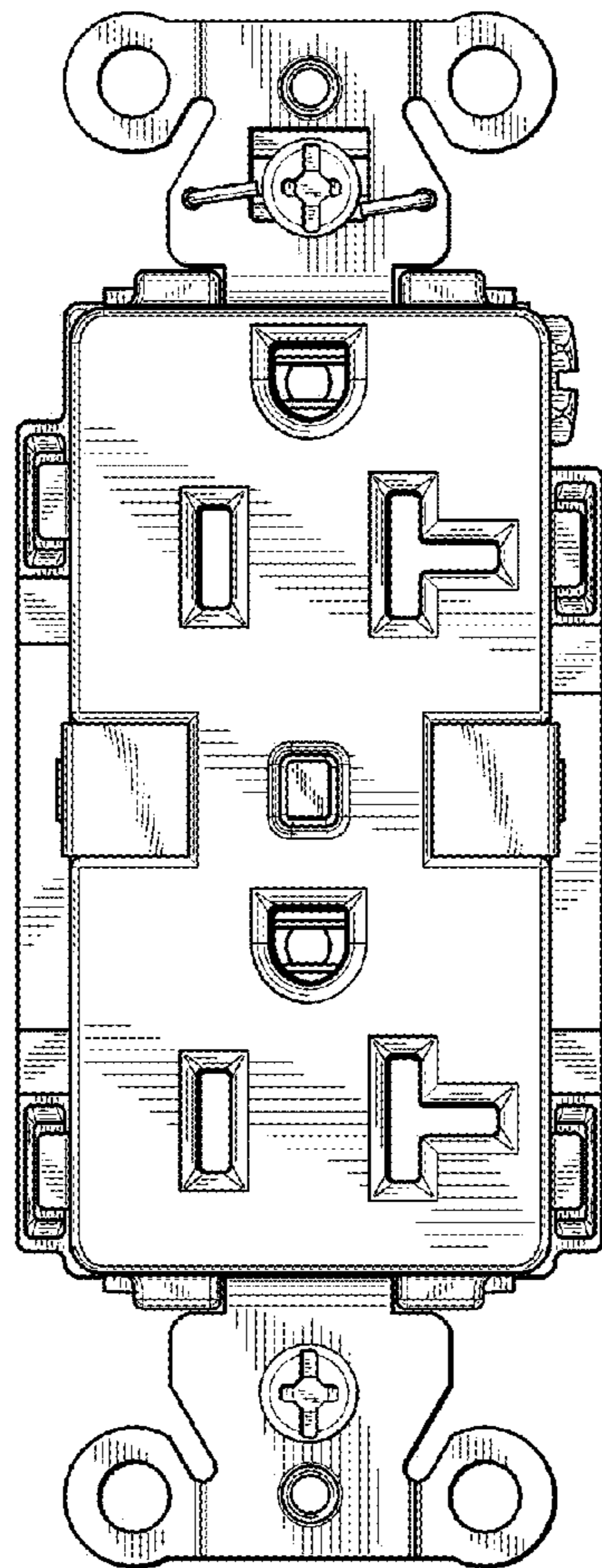


FIG. 2

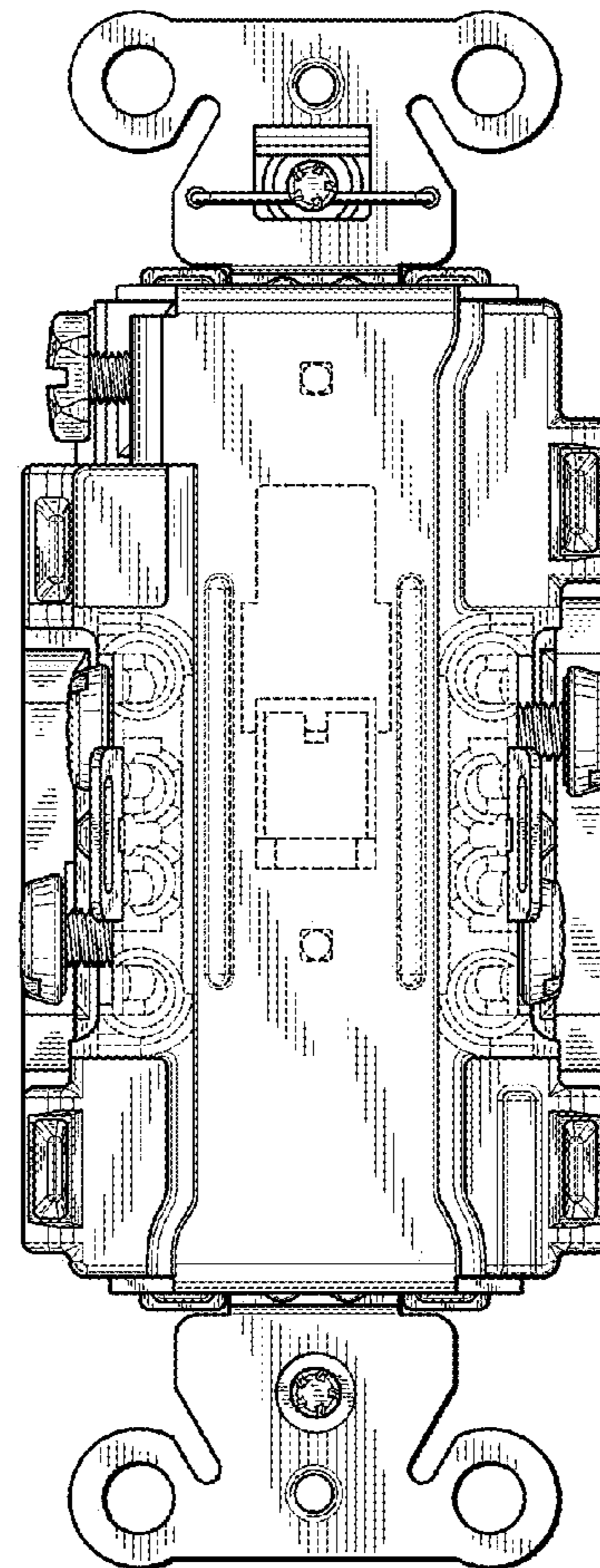


FIG. 3

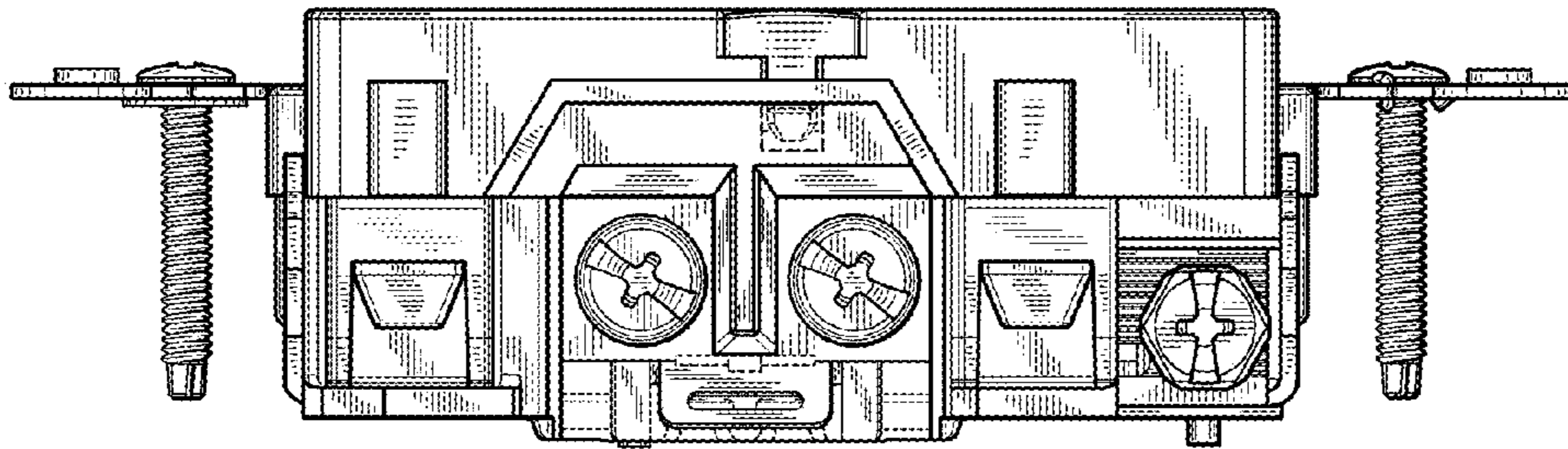


FIG. 4

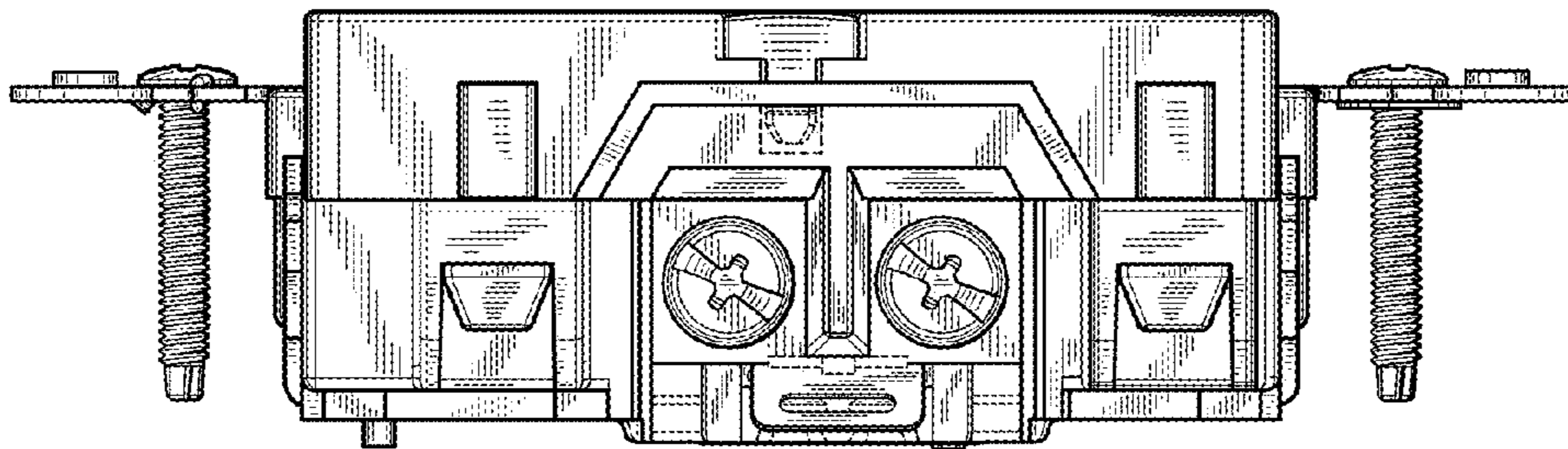


FIG. 5

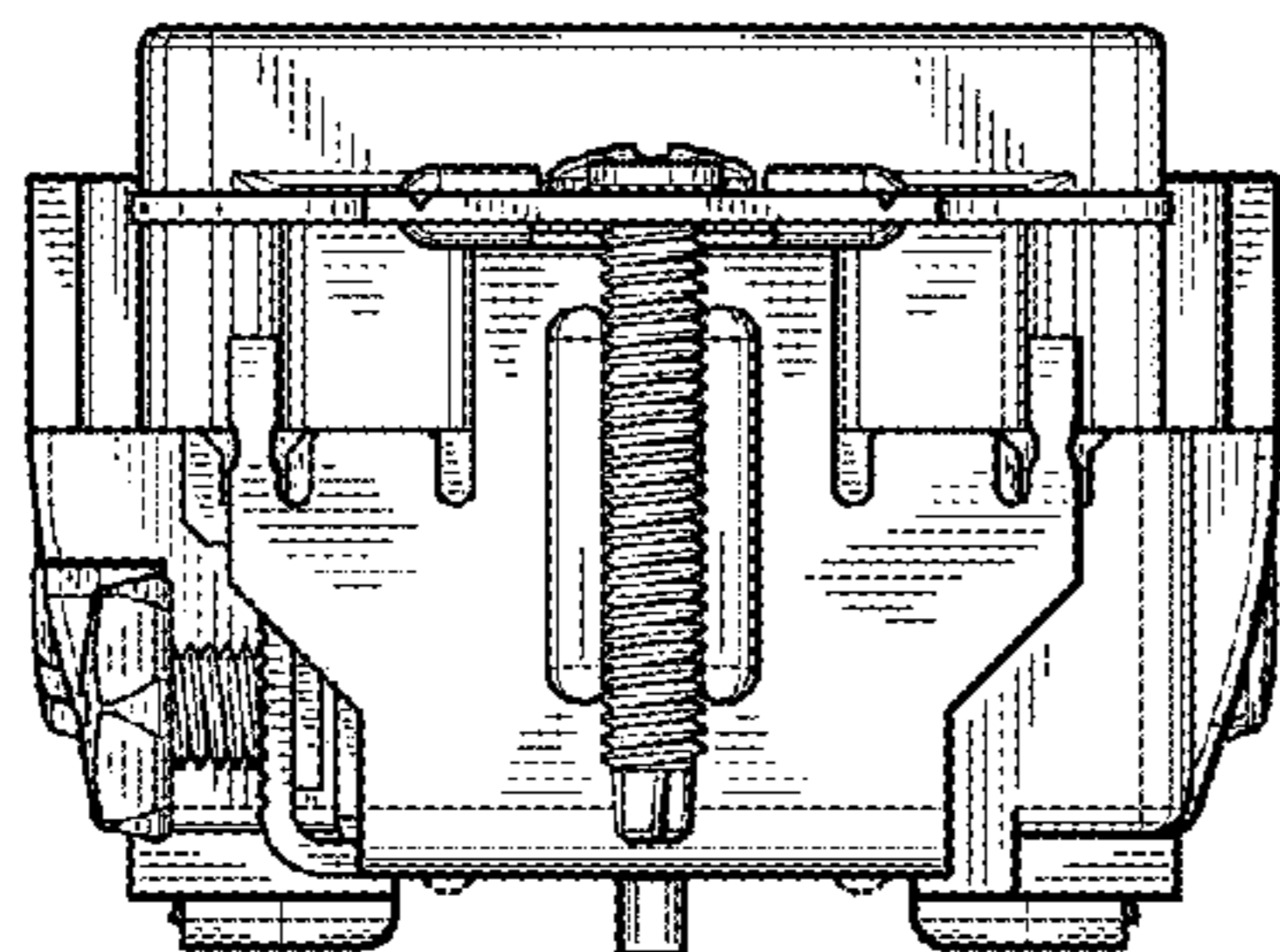


FIG. 6

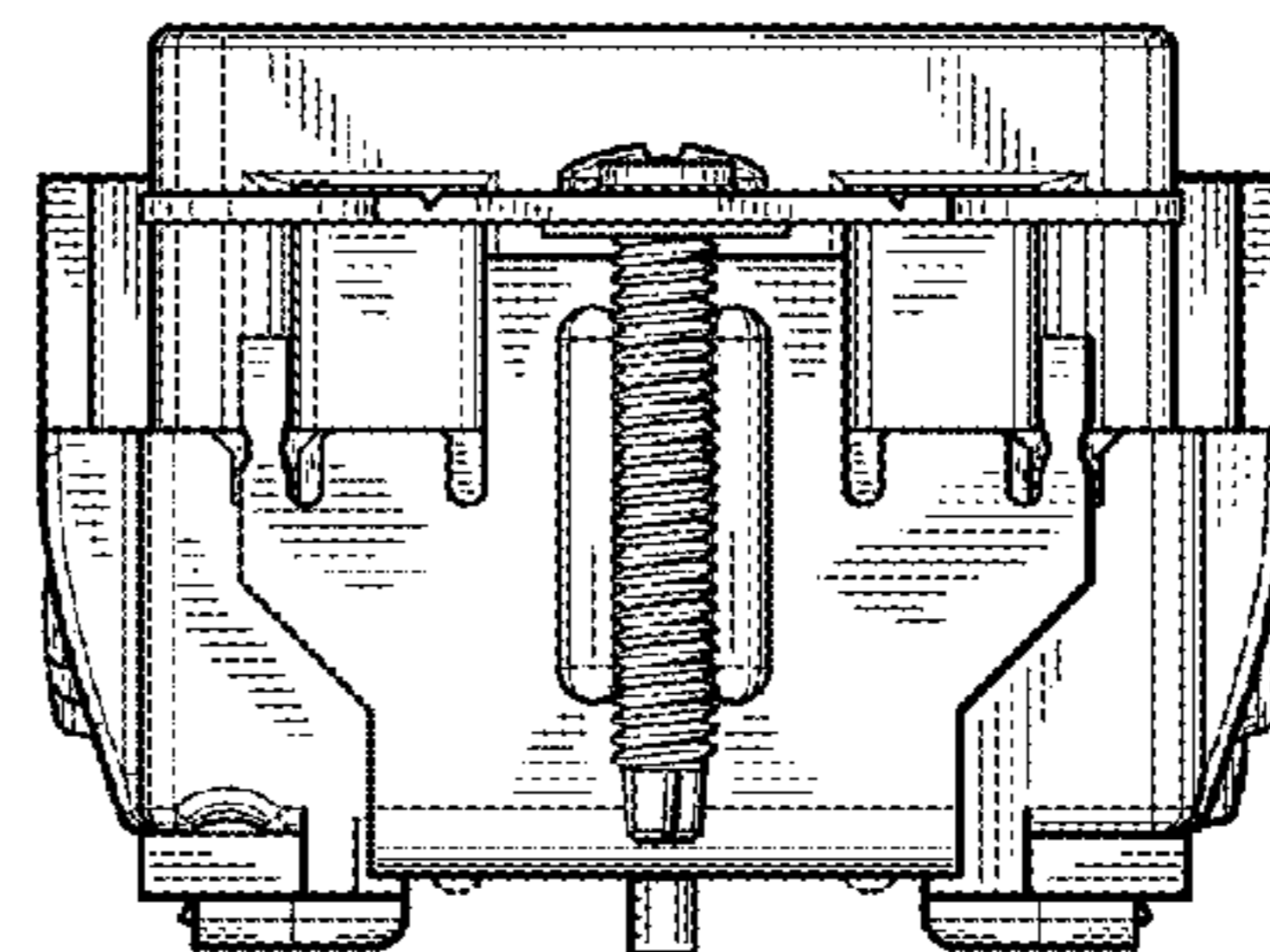


FIG. 7