



US00D732718S

(12) **United States Design Patent**
Amrine, Jr.

(10) **Patent No.:** **US D732,718 S**
(45) **Date of Patent:** **** Jun. 23, 2015**

(54) **LED LIGHT TUBE**

(71) Applicant: **iLumisys, Inc.**, Troy, MI (US)

(72) Inventor: **James M. Amrine, Jr.**, Ann Arbor, MI (US)

(73) Assignee: **iLumisys, Inc.**, Troy, MI (US)

(**) Term: **14 Years**

(21) Appl. No.: **29/478,844**

(22) Filed: **Jan. 9, 2014**

(51) **LOC (10) Cl.** **26-04**

(52) **U.S. Cl.**
USPC **D26/3**

(58) **Field of Classification Search**
USPC D26/1-4; 313/313, 315, 316, 317, 318,
313/493; 315/52, 53, 56, 57, 58
See application file for complete search history.

(56) **References Cited**

U.S. PATENT DOCUMENTS

D506,274 S *	6/2005	Moriyama et al.	D26/3
D574,093 S *	7/2008	Kitagawa et al.	D26/3
D576,749 S *	9/2008	Kitagawa et al.	D26/3
D611,172 S *	3/2010	Lin et al.	D26/3
D636,504 S *	4/2011	Duster	D26/3

* cited by examiner

Primary Examiner — Marcus Jackson

(74) *Attorney, Agent, or Firm* — Young Basile

(57) **CLAIM**

The ornamental design for an LED light tube, as shown and described.

DESCRIPTION

FIG. 1 is a perspective view of an LED light tube showing my new design;

FIG. 2 is an enlarged, front elevation view of the LED light tube of FIG. 1 with a middle portion removed for ease of illustration;

FIG. 3 is an enlarged, rear elevation view of the LED light tube of FIG. 1 with the middle portion removed for ease of illustration;

FIG. 4 is an enlarged, left side elevation view of the LED light tube of FIG. 1 with the middle portion removed for ease of illustration;

FIG. 5 is an enlarged, right side elevation view of the LED light tube of FIG. 1 with the middle portion removed for ease of illustration;

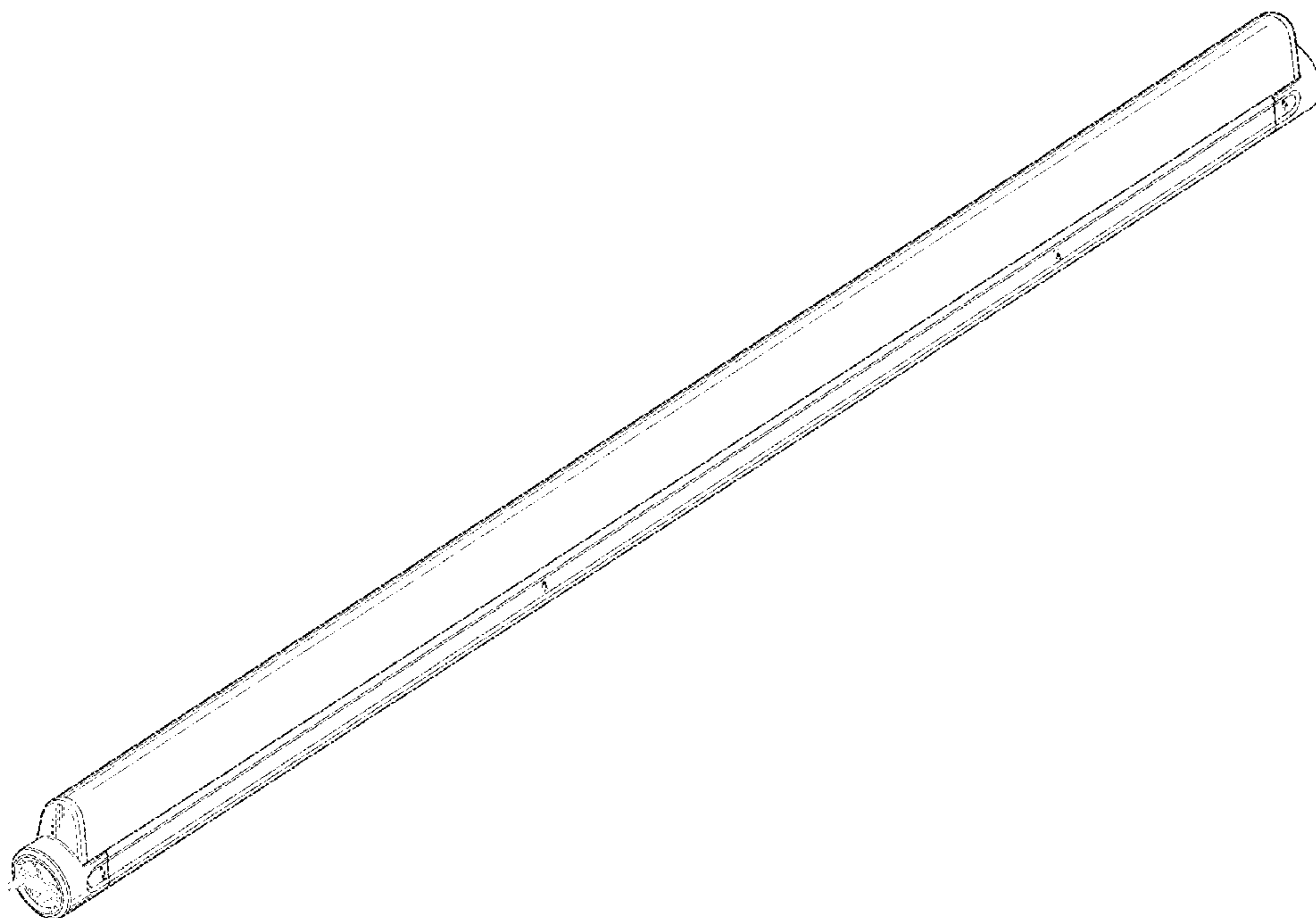
FIG. 6 is an enlarged, top plan view of the LED light tube of FIG. 1 with the middle portion removed for ease of illustration;

FIG. 7 is an enlarged, bottom plan view of the LED light tube of FIG. 1 with the middle portion removed for ease of illustration; and,

FIG. 8 is a cross-sectional view taken along line 8-8 of the LED light tube of FIG. 2.

The shade lines show contour and not surface ornamentation. The broken lines are environmental and form no part of the claimed design.

1 Claim, 3 Drawing Sheets



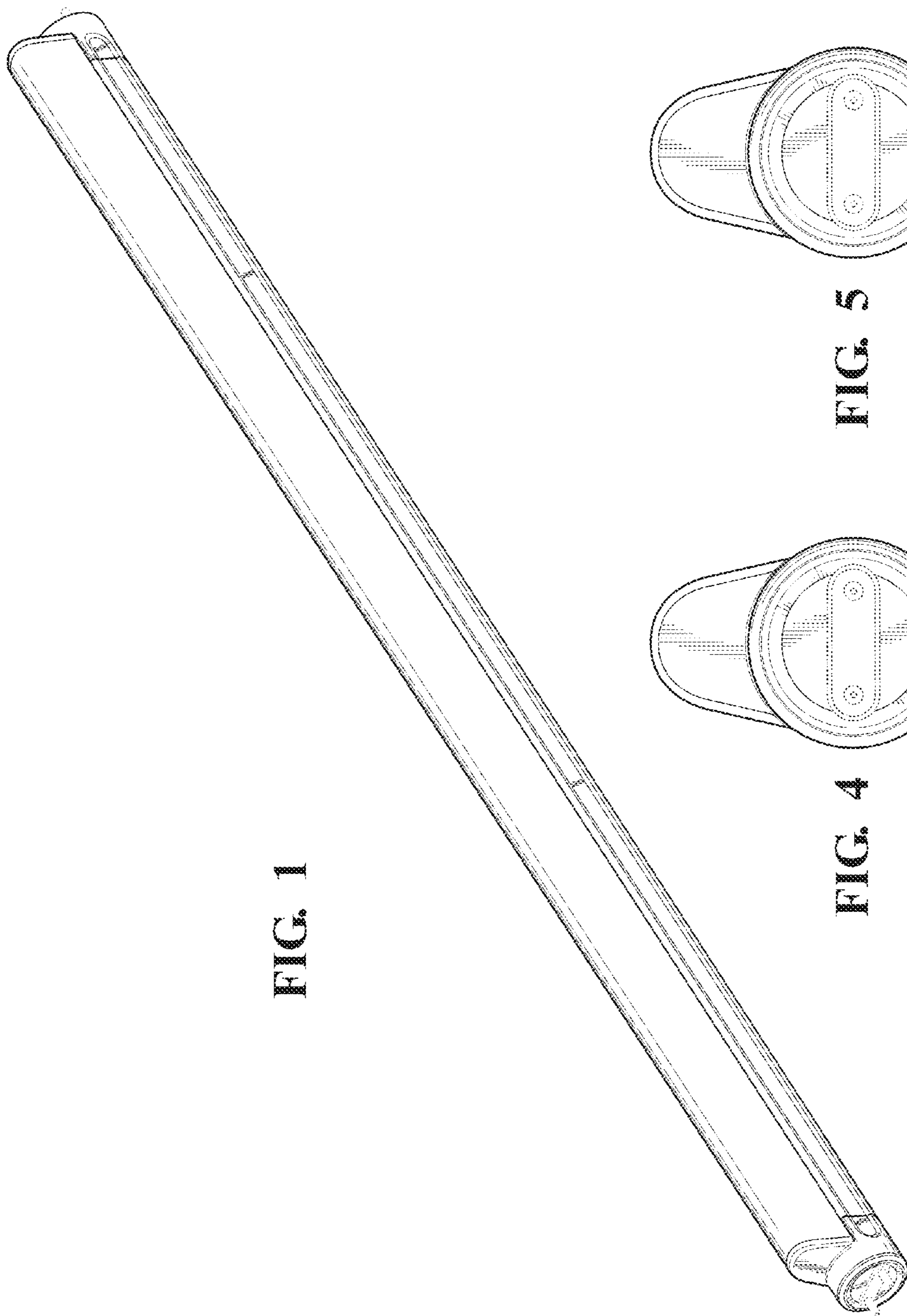


FIG. 1

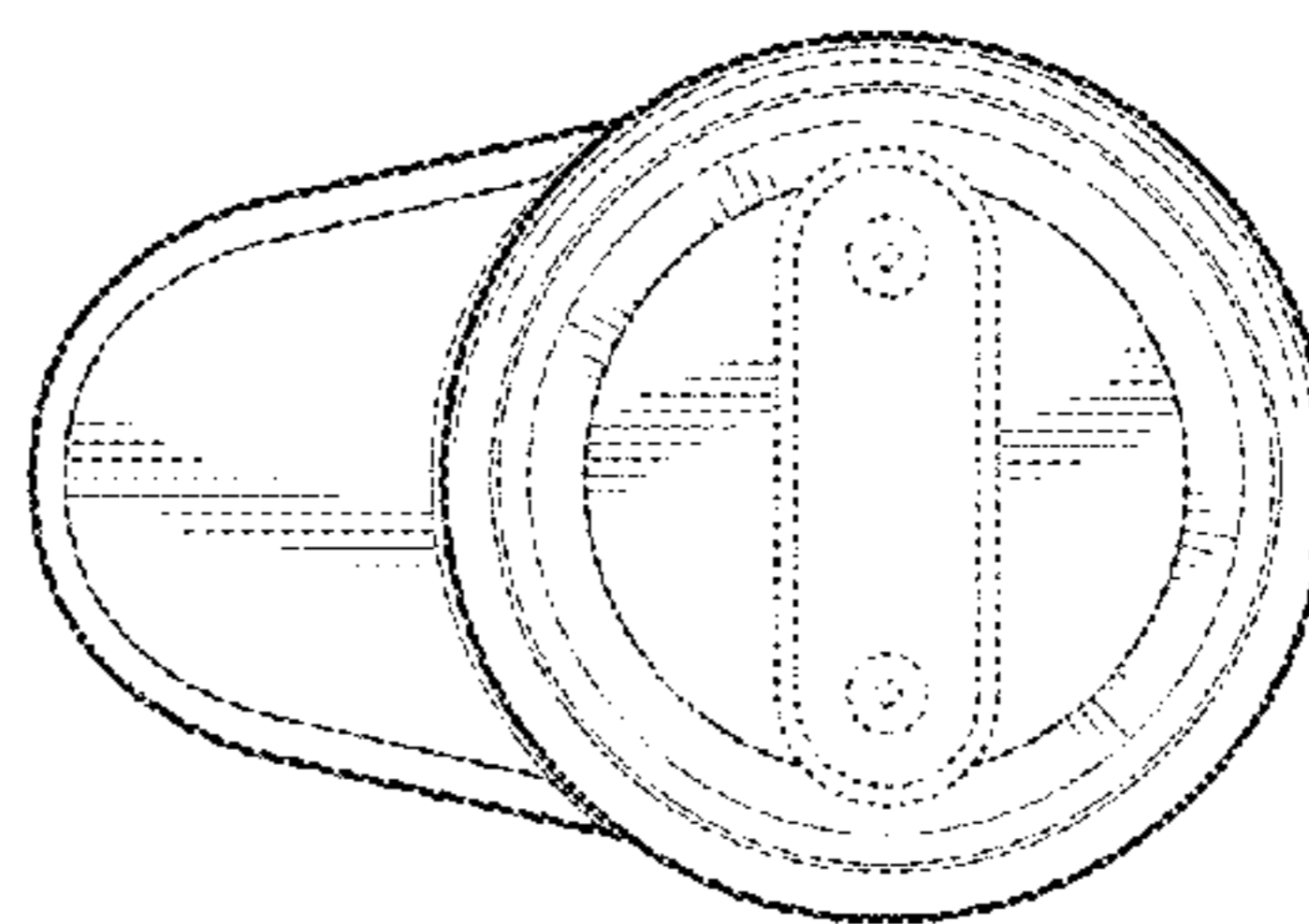


FIG. 5

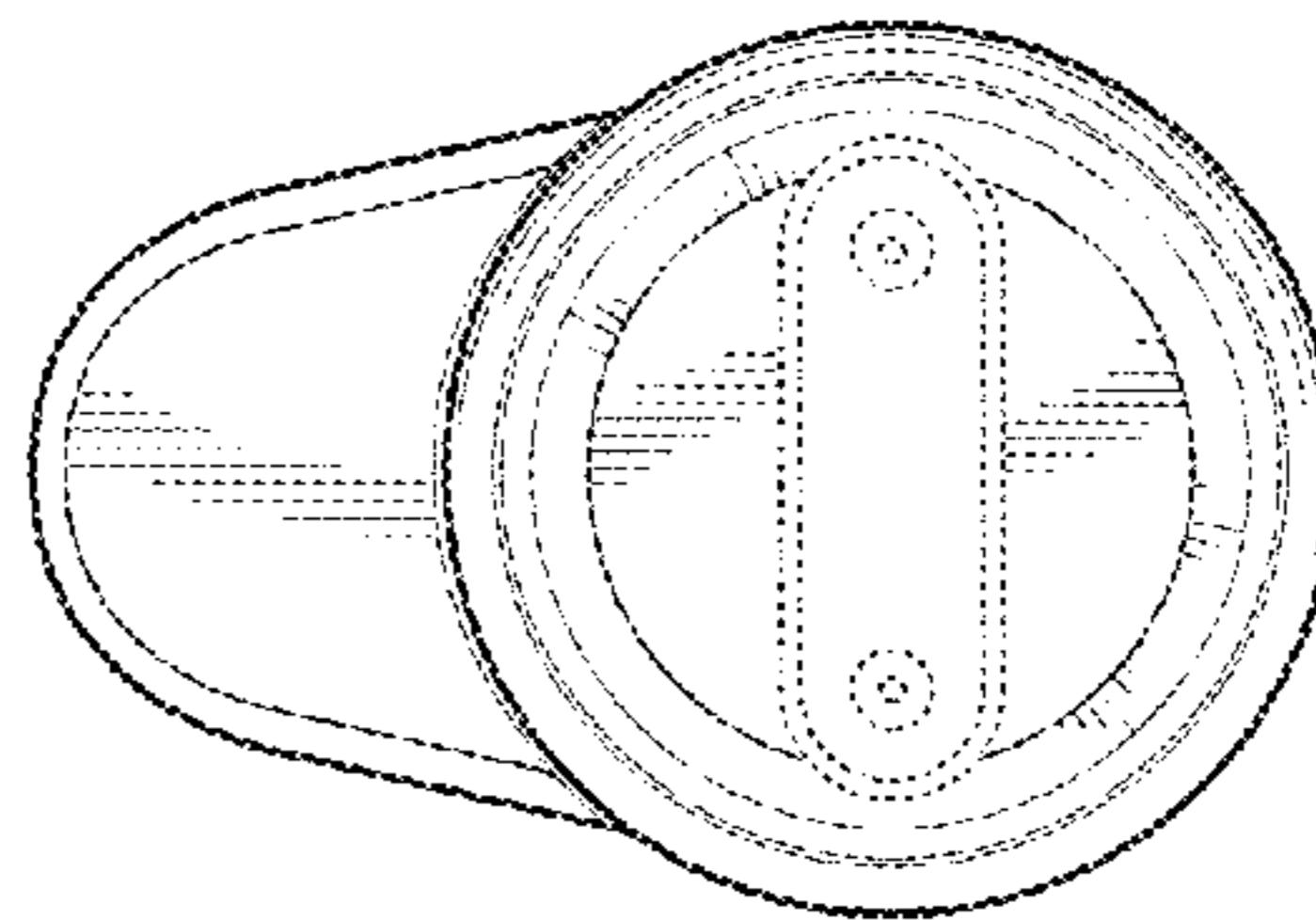


FIG. 4

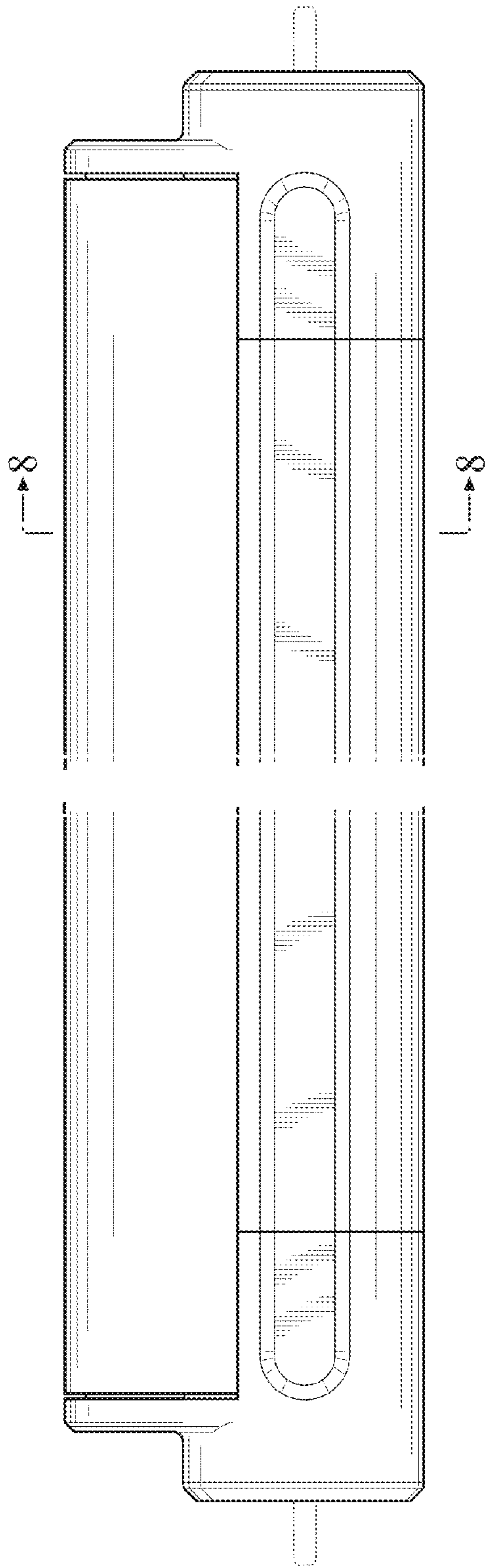
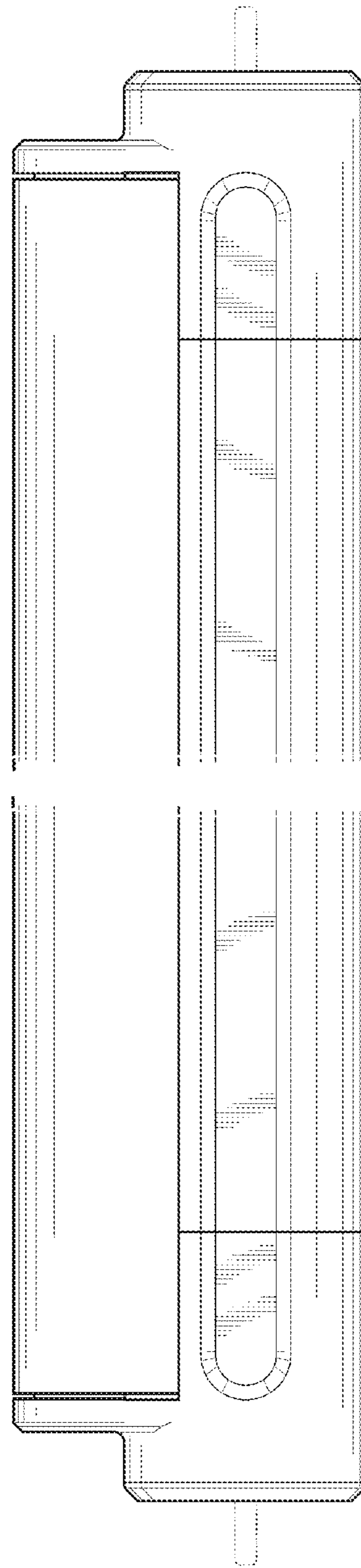


FIG. 2

FIG. 3



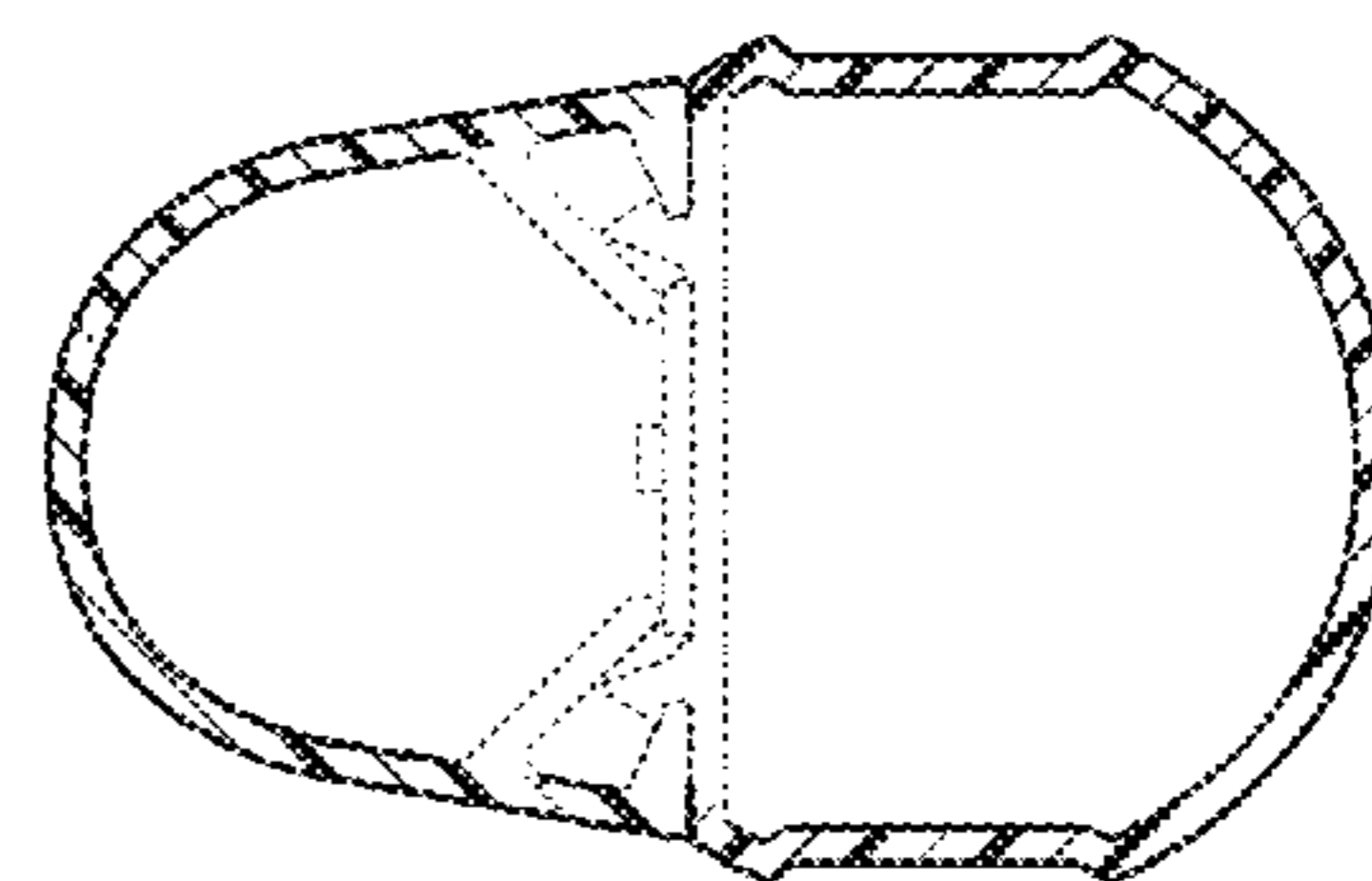
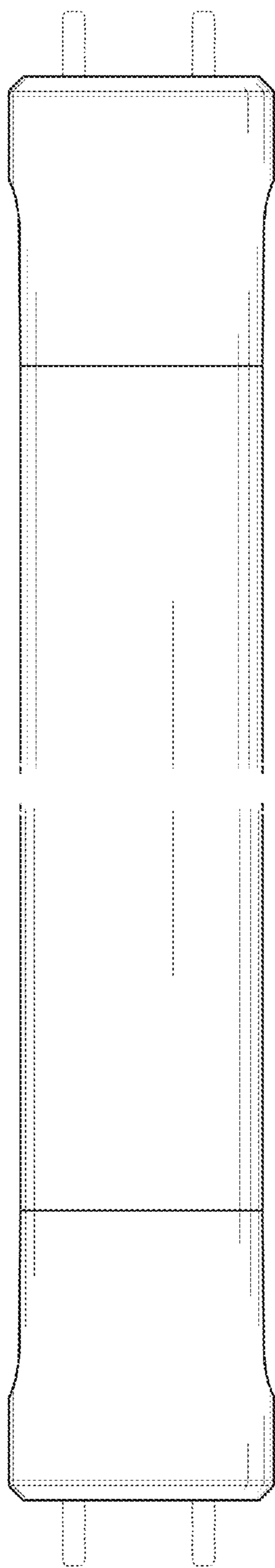
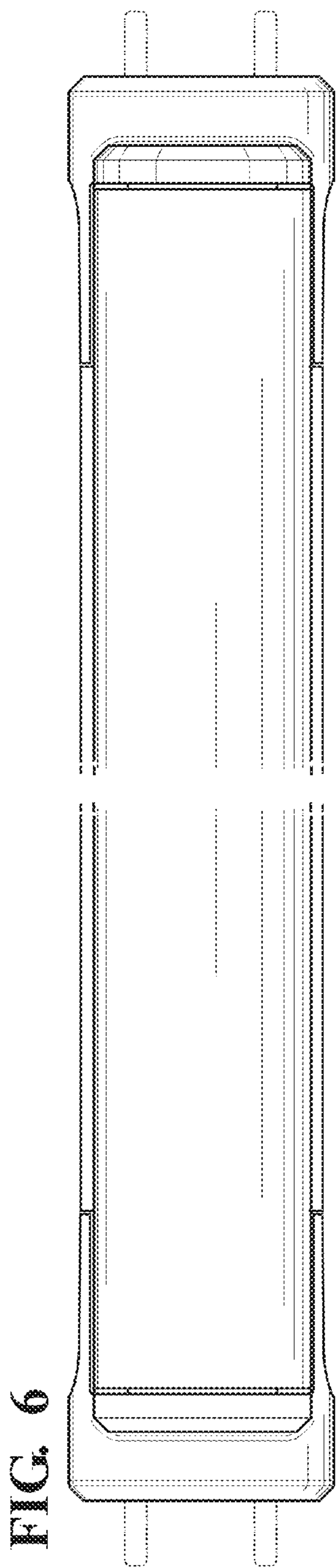


FIG. 6

FIG. 7

FIG. 8