



US00D732716S

(12) **United States Design Patent**
Yang et al.

(10) **Patent No.:** **US D732,716 S**
(45) **Date of Patent:** **** Jun. 23, 2015**

(54) **LED LAMP**

(71) Applicant: **CE Lighting Ltd.**, Shenzhen,
Guangdong (CN)
(72) Inventors: **Dangwei Yang**, Guangdong (CN);
Yanfeng Xu, Guangdong (CN)
(73) Assignee: **CE Lighting Ltd.**, Shenzhen (CN)
(**) Term: **14 Years**

(21) Appl. No.: **29/481,383**

(22) Filed: **Feb. 5, 2014**

Related U.S. Application Data

(62) Division of application No. 29/432,928, filed on Sep.
22, 2012, now Pat. No. Des. 707,859.

(30) **Foreign Application Priority Data**

Mar. 23, 2012 (CN) 2012 3 0073388

(51) **LOC (10) Cl.** **26-04**

(52) **U.S. Cl.**
USPC **D26/2**

(58) **Field of Classification Search**
USPC D26/1-4; 313/313, 315, 316, 317, 318,
313/493; 315/52, 53, 56, 57, 58

See application file for complete search history.

(56) **References Cited**

U.S. PATENT DOCUMENTS

D535,038 S *	1/2007	Egawa et al.	D26/2
D582,578 S *	12/2008	Tsai et al.	D26/2
D584,838 S *	1/2009	To et al.	D26/2
D594,995 S *	6/2009	Komar	D26/2
D601,722 S *	10/2009	Foo	D26/2
D631,989 S *	2/2011	Bobel	D26/2
D635,280 S *	3/2011	Chao	D26/2
D640,805 S *	6/2011	Li et al.	D26/2
D645,580 S *	9/2011	Yoshinobu	D26/2
D657,075 S *	4/2012	Guohui	D26/2

* cited by examiner

Primary Examiner — Marcus Jackson

(74) *Attorney, Agent, or Firm* — Dovas Law, P.C.

(57) **CLAIM**

The ornamental design for an LED lamp, as shown and described.

DESCRIPTION

FIG. 1 is a front elevational view of an LED lamp showing the embodiment of our new design;

FIG. 2 is a left side elevational view of the LED lamp of FIG. 1;

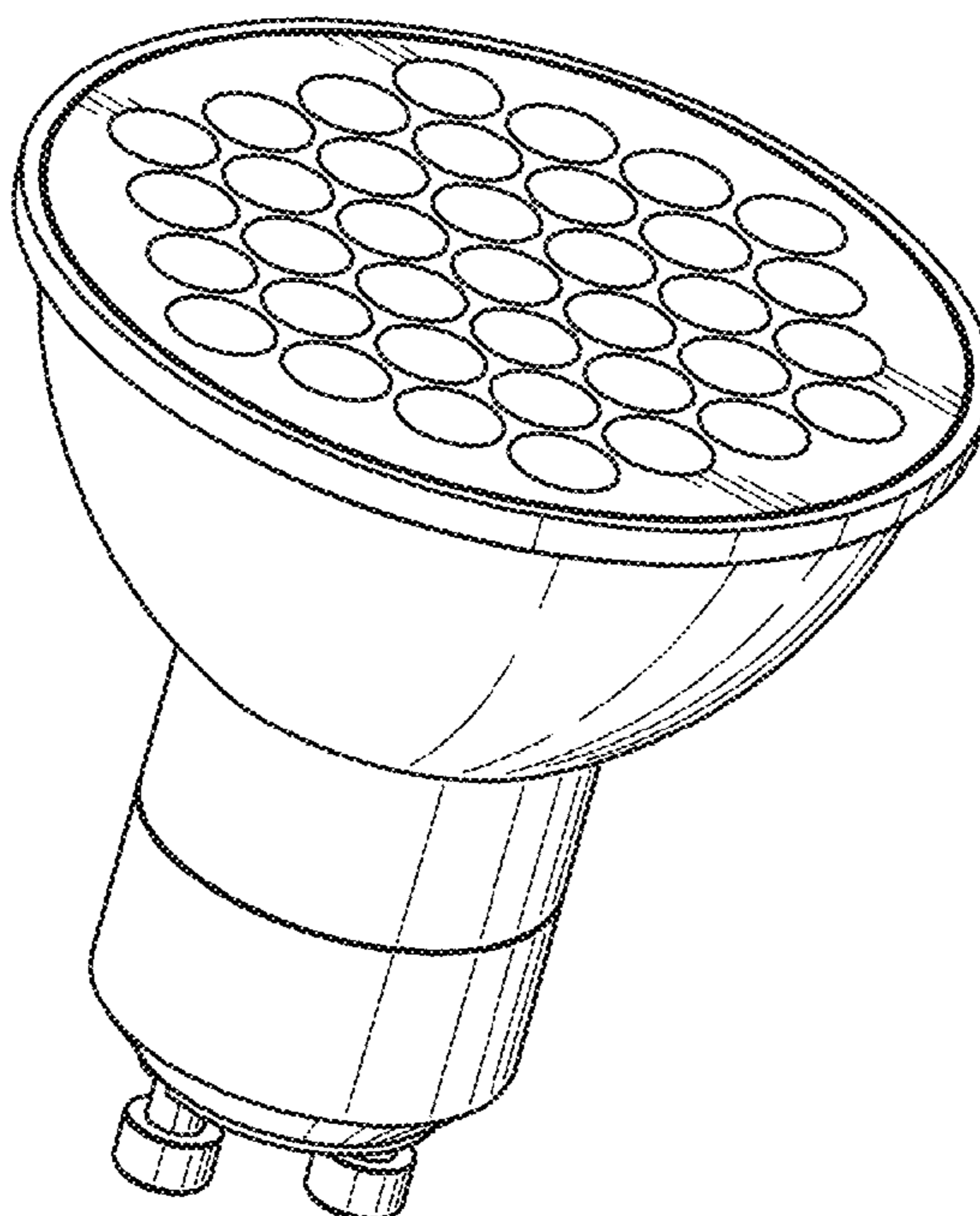
FIG. 3 is a top plan view of the LED lamp of FIG. 1;

FIG. 4 is a bottom plan view of the LED lamp of FIG. 1; and,

FIG. 5 is a perspective view of the LED lamp of FIG. 1.

In the embodiment of the design, the rear elevational view is the mirror of the front elevational view, the right side elevational view is the mirror of the left side elevational view, and accordingly, additional figures for the rear elevational view and the right side elevational view are not included.

1 Claim, 5 Drawing Sheets



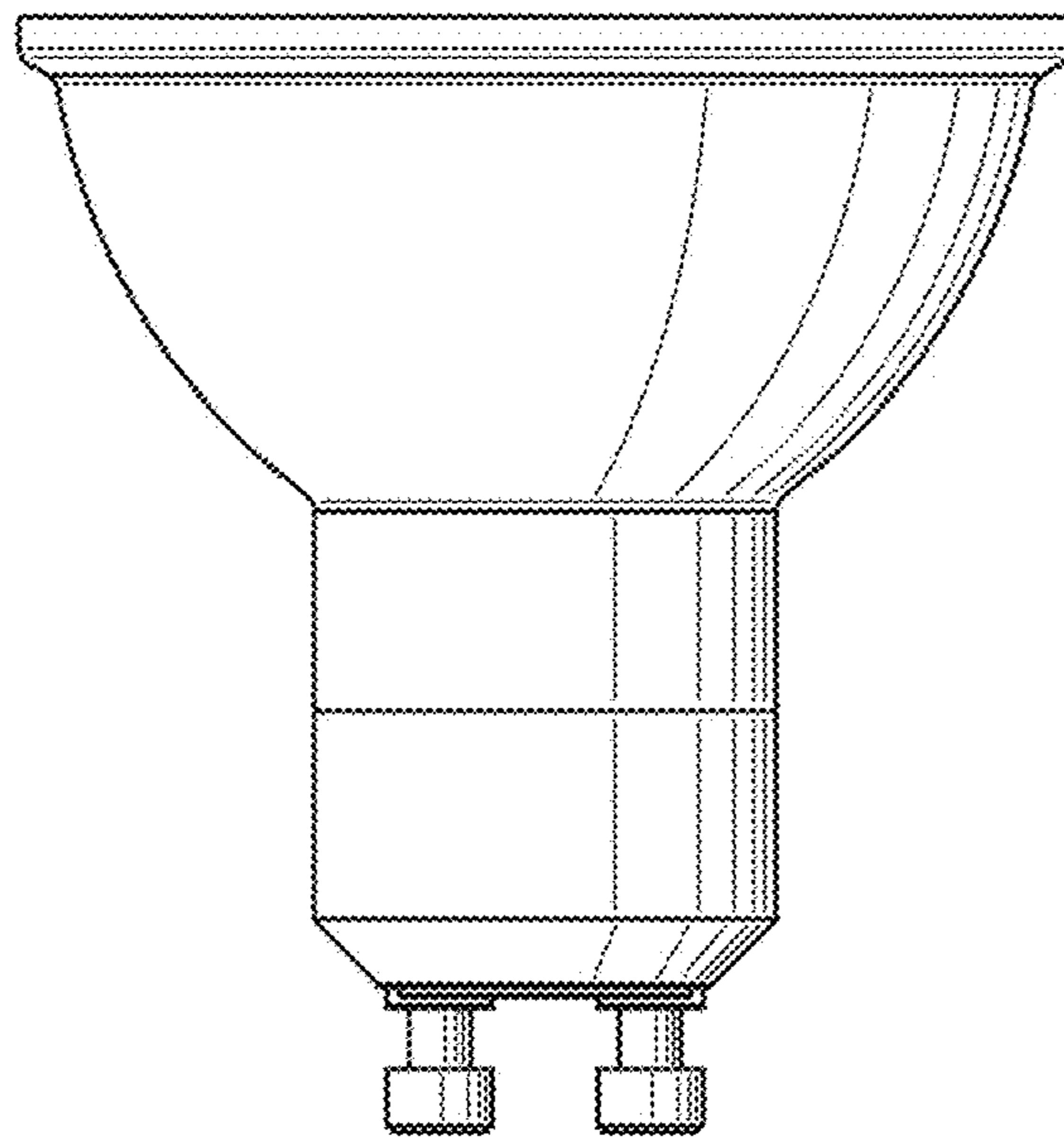


FIG. 1

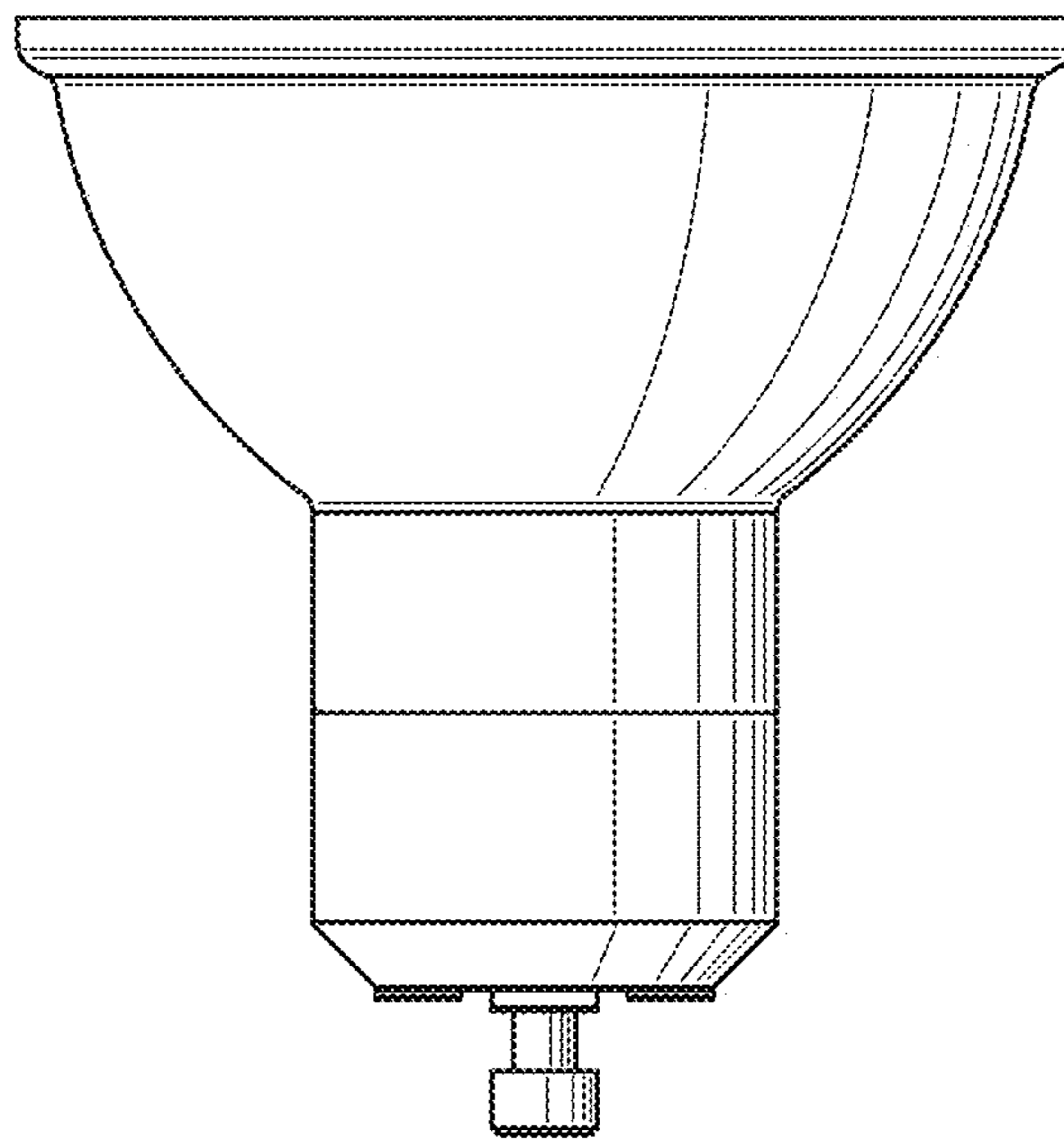


FIG. 2

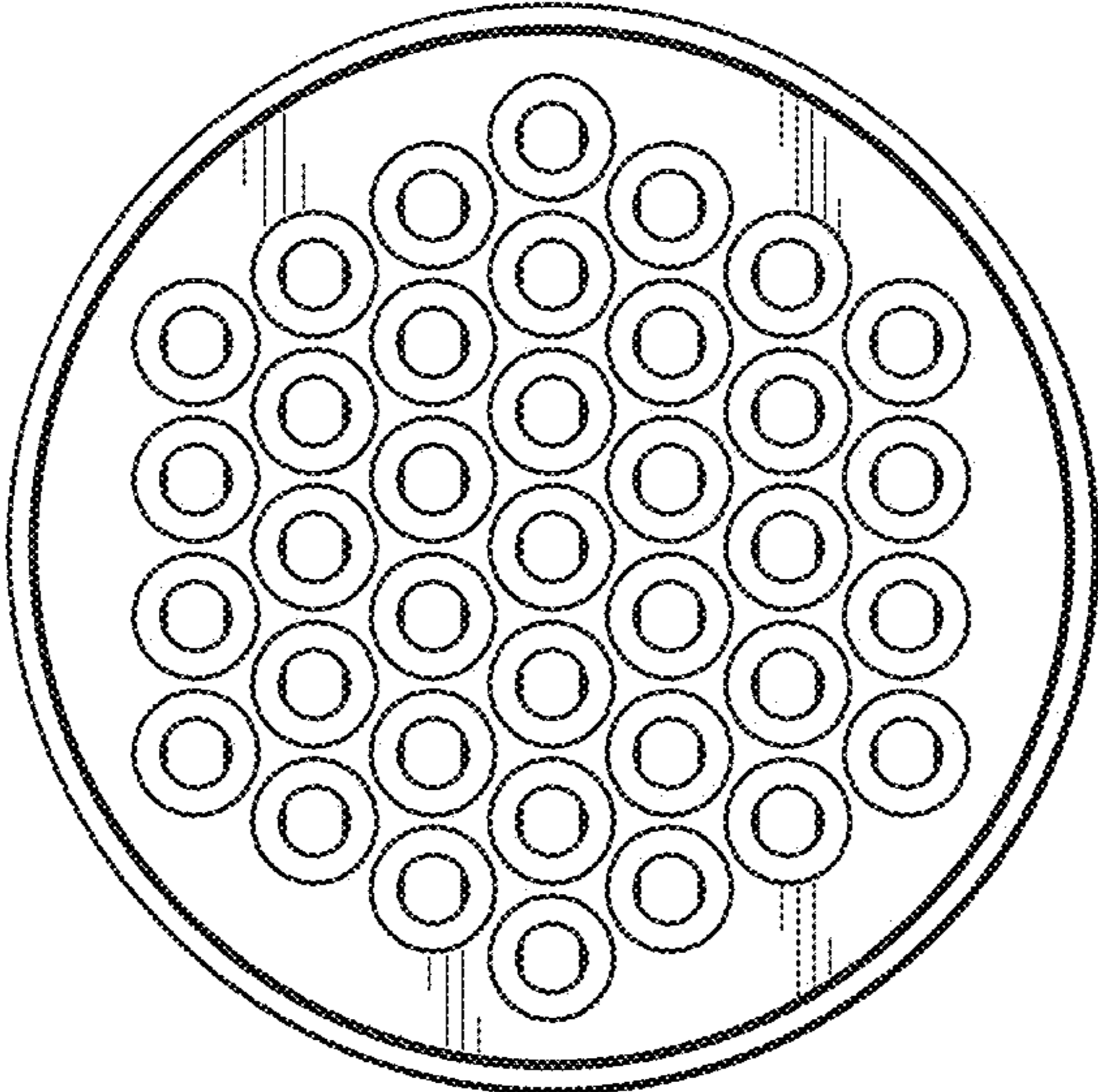


FIG. 3

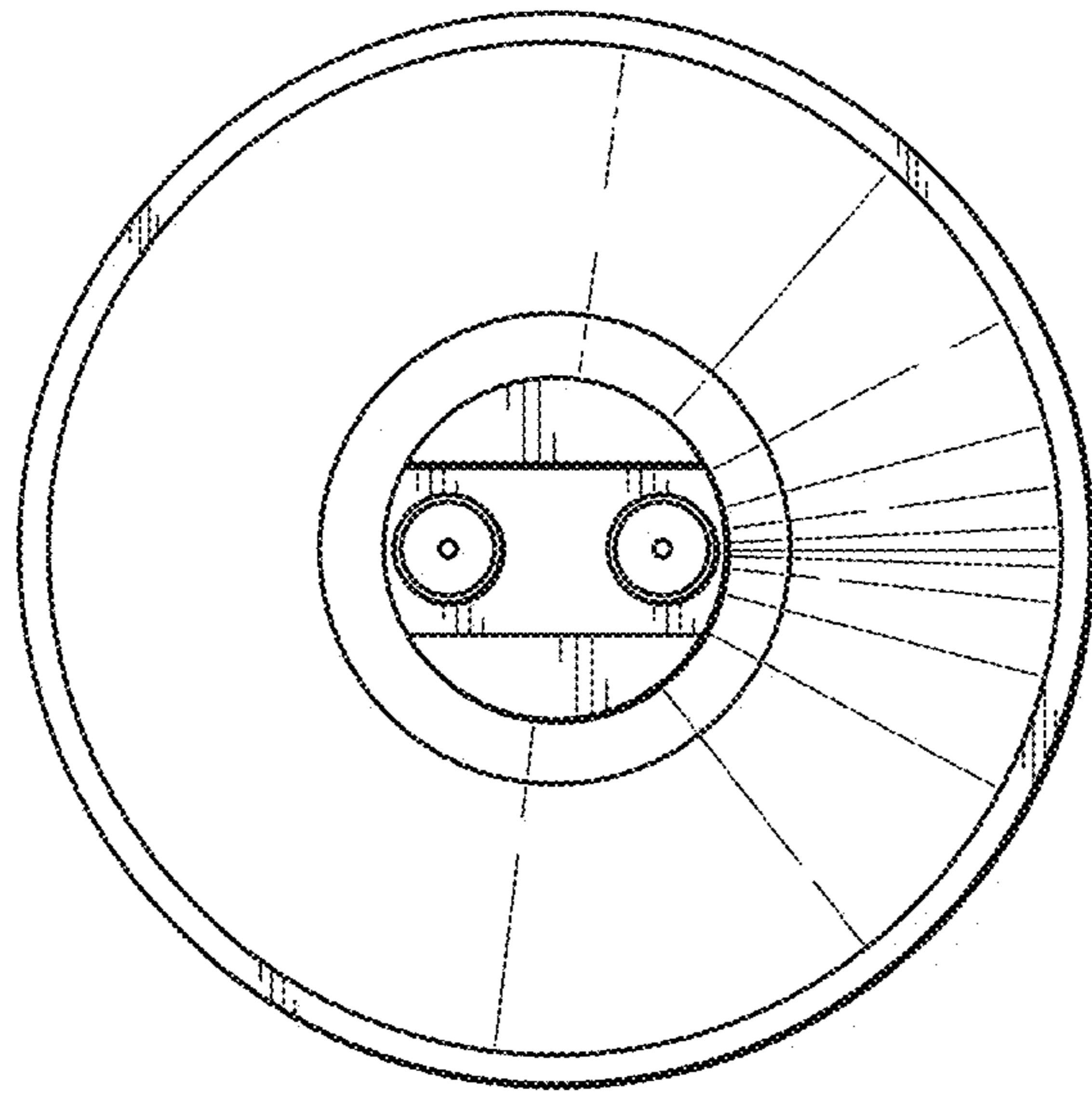


FIG. 4

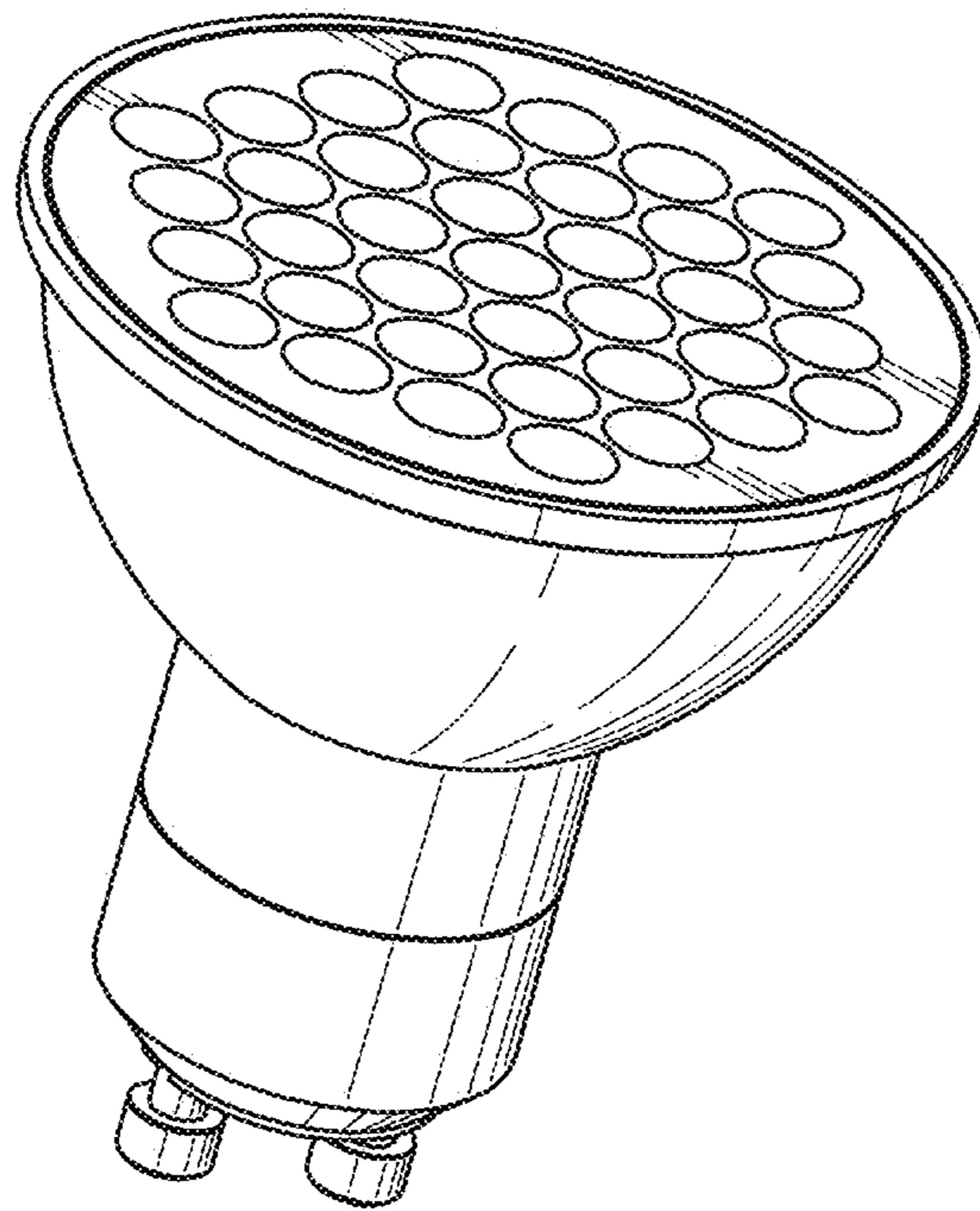


FIG. 5