



US00D732715S

(12) **United States Design Patent**
Yang et al.

(10) **Patent No.:** **US D732,715 S**
(45) **Date of Patent:** **** Jun. 23, 2015**

(54) **LED LAMP**

- (71) Applicant: **CE Lighting Ltd.**, Shenzhen, Guangdong (CN)
- (72) Inventors: **Dangwei Yang**, Guangdong (CN);
Yanfeng Xu, Guangdong (CN)
- (73) Assignee: **CE Lighting Ltd.**, Shenzhen (CN)
- (**) Term: **14 Years**
- (21) Appl. No.: **29/481,380**
- (22) Filed: **Feb. 5, 2014**

Related U.S. Application Data

(62) Division of application No. 29/432,928, filed on Sep. 22, 2012, now Pat. No. Des. 707,859.

(30) **Foreign Application Priority Data**

Mar. 23, 2012 (CN) 2012 3 0073388

(51) **LOC (10) Cl.** **26-04**

(52) **U.S. Cl.**
USPC **D26/2**

(58) **Field of Classification Search**
USPC D26/1-4; 313/313, 315, 316, 317, 318,
313/493; 315/52, 53, 56, 57, 58
See application file for complete search history.

(56) **References Cited**

U.S. PATENT DOCUMENTS

D532,532 S *	11/2006	Maxik	D26/2
D544,110 S *	6/2007	Hooker et al.	D26/2
D566,300 S *	4/2008	Lo	D26/2
D581,555 S *	11/2008	To et al.	D26/2
D584,838 S *	1/2009	To et al.	D26/2

* cited by examiner

Primary Examiner — Marcus Jackson

(74) *Attorney, Agent, or Firm* — Dovas Law, P.C.

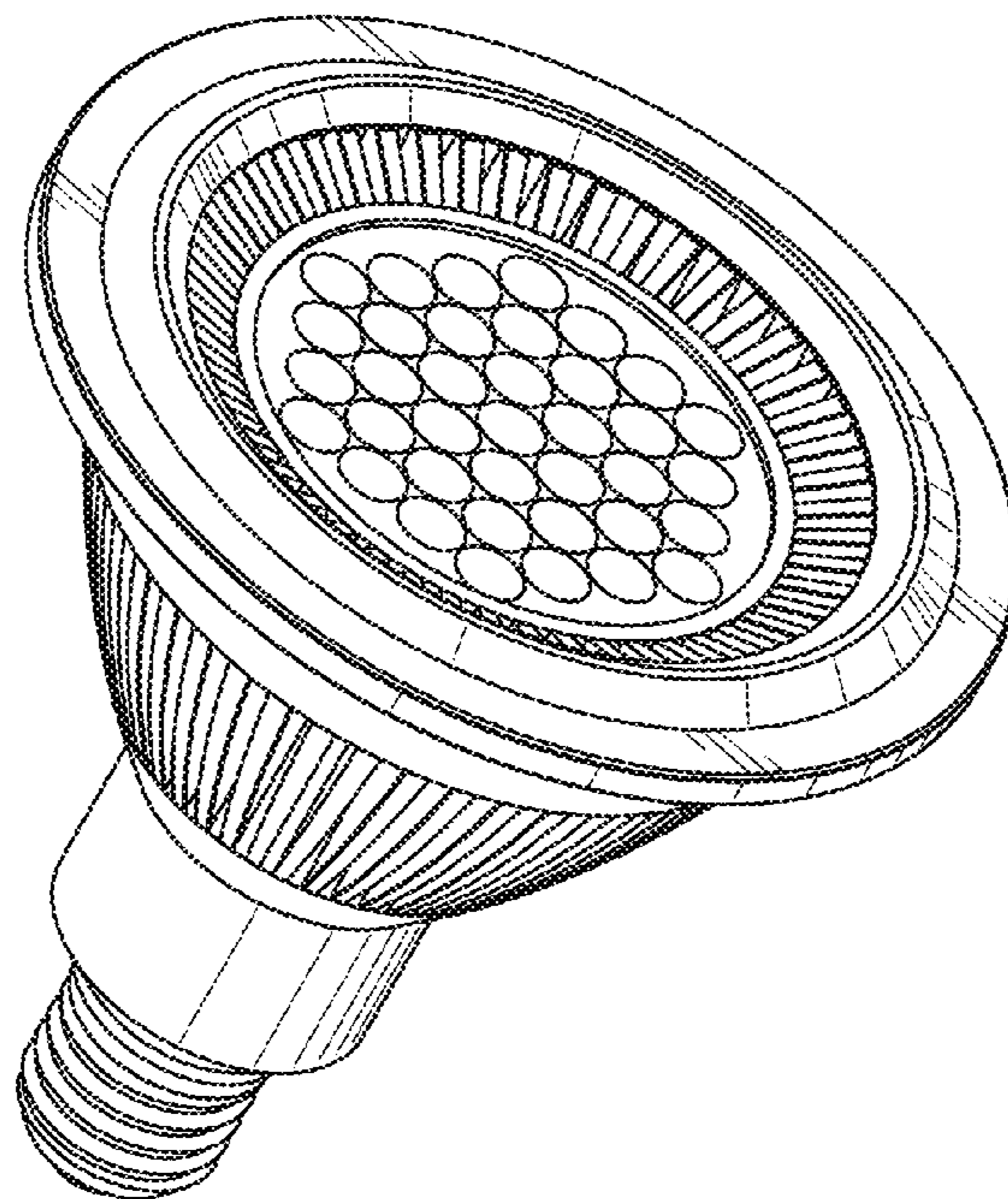
(57) **CLAIM**

The ornamental design for an LED lamp, as shown and described.

DESCRIPTION

FIG. 1 is a front elevational view of an LED lamp showing the embodiment of our new design;
 FIG. 2 is a rear elevational view of the LED lamp of FIG. 1;
 FIG. 3 is a left side elevational view of the LED lamp of FIG. 1;
 FIG. 4 is a right side elevational view of the LED lamp of FIG. 1;
 FIG. 5 is a top plan view of the LED lamp of FIG. 1;
 FIG. 6 is a bottom plan view of the LED lamp of FIG. 1; and,
 FIG. 7 is a perspective view of the LED lamp of FIG. 1.

1 Claim, 7 Drawing Sheets



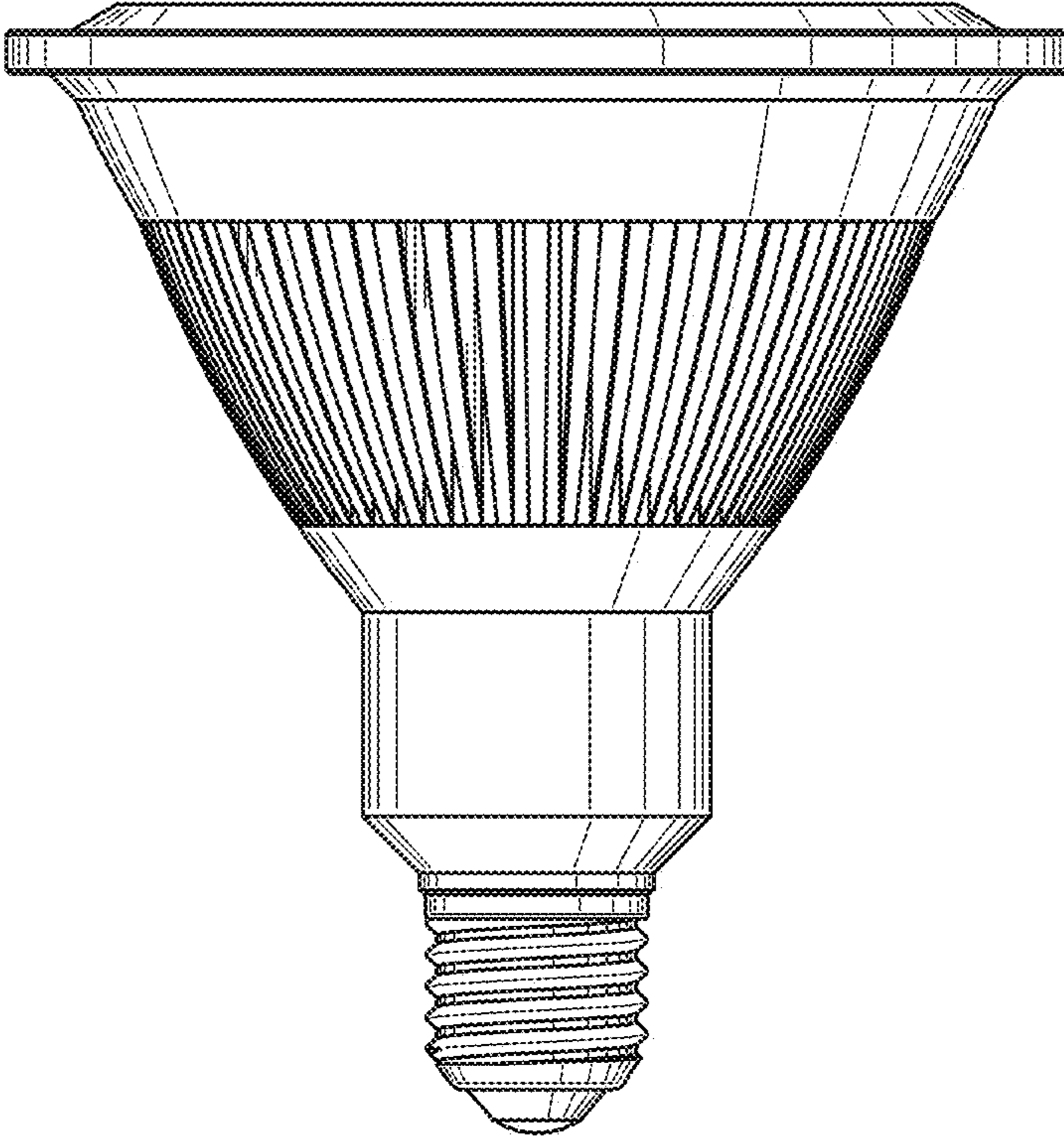


FIG. 1

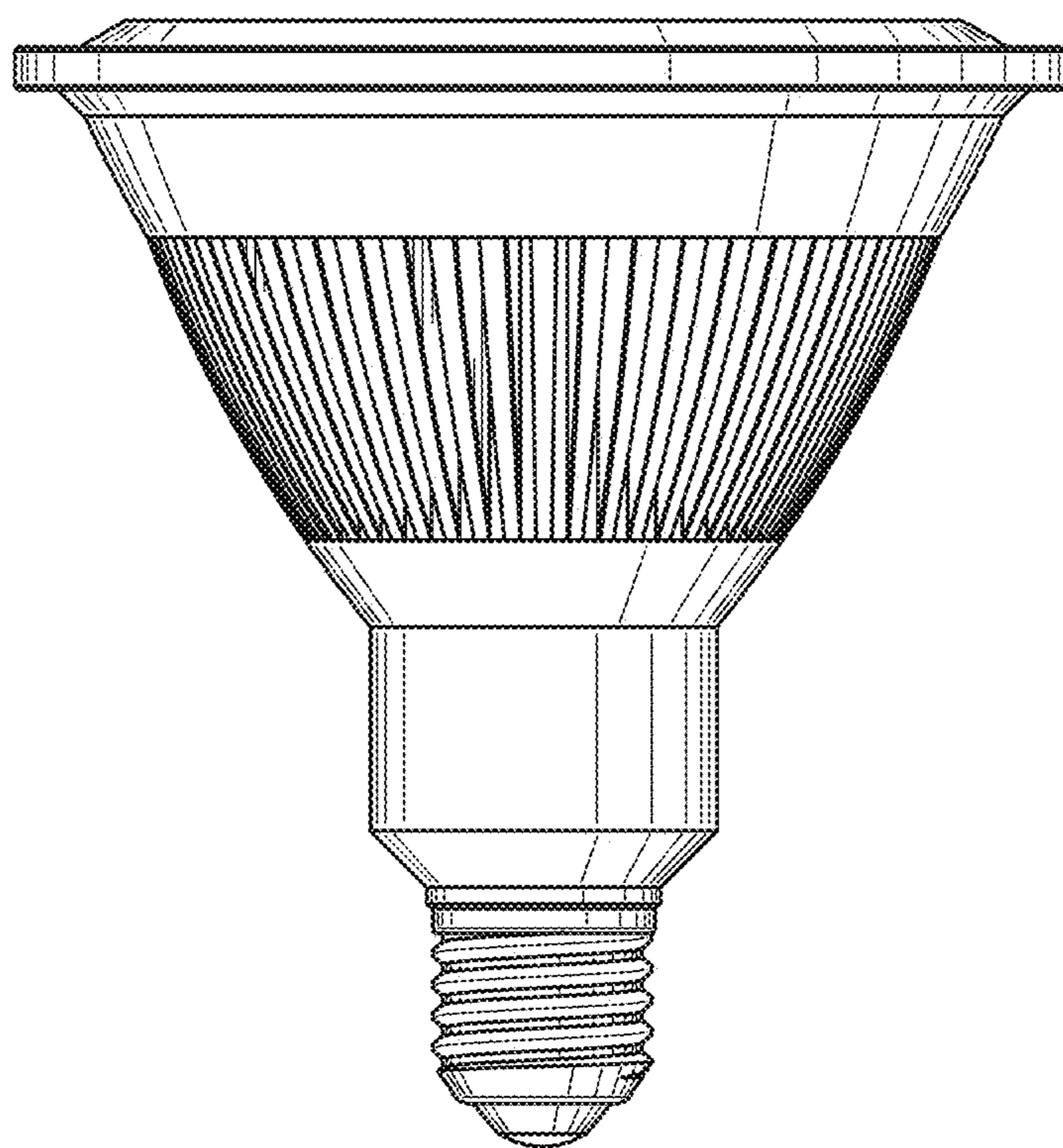


FIG. 2

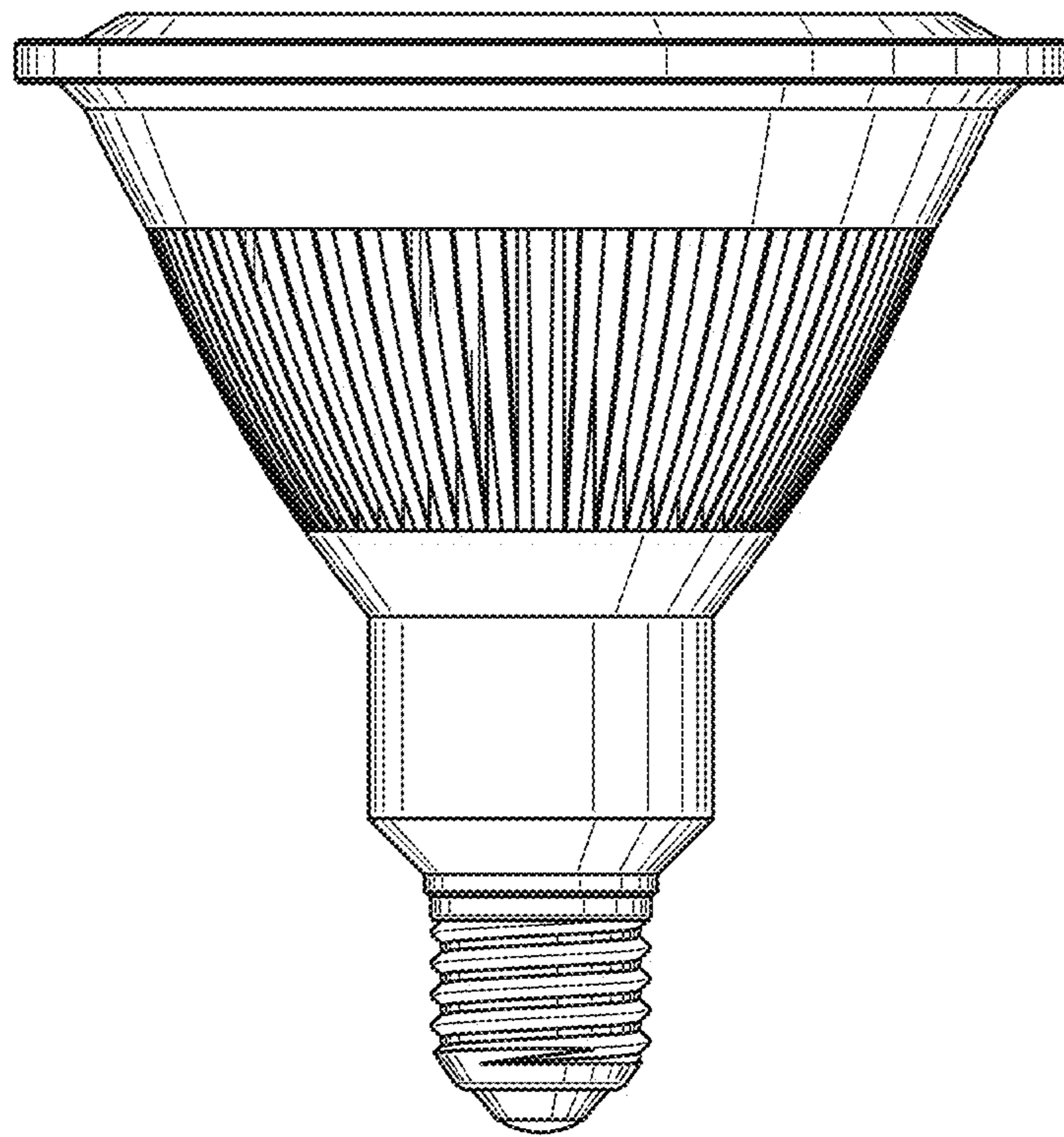


FIG. 3

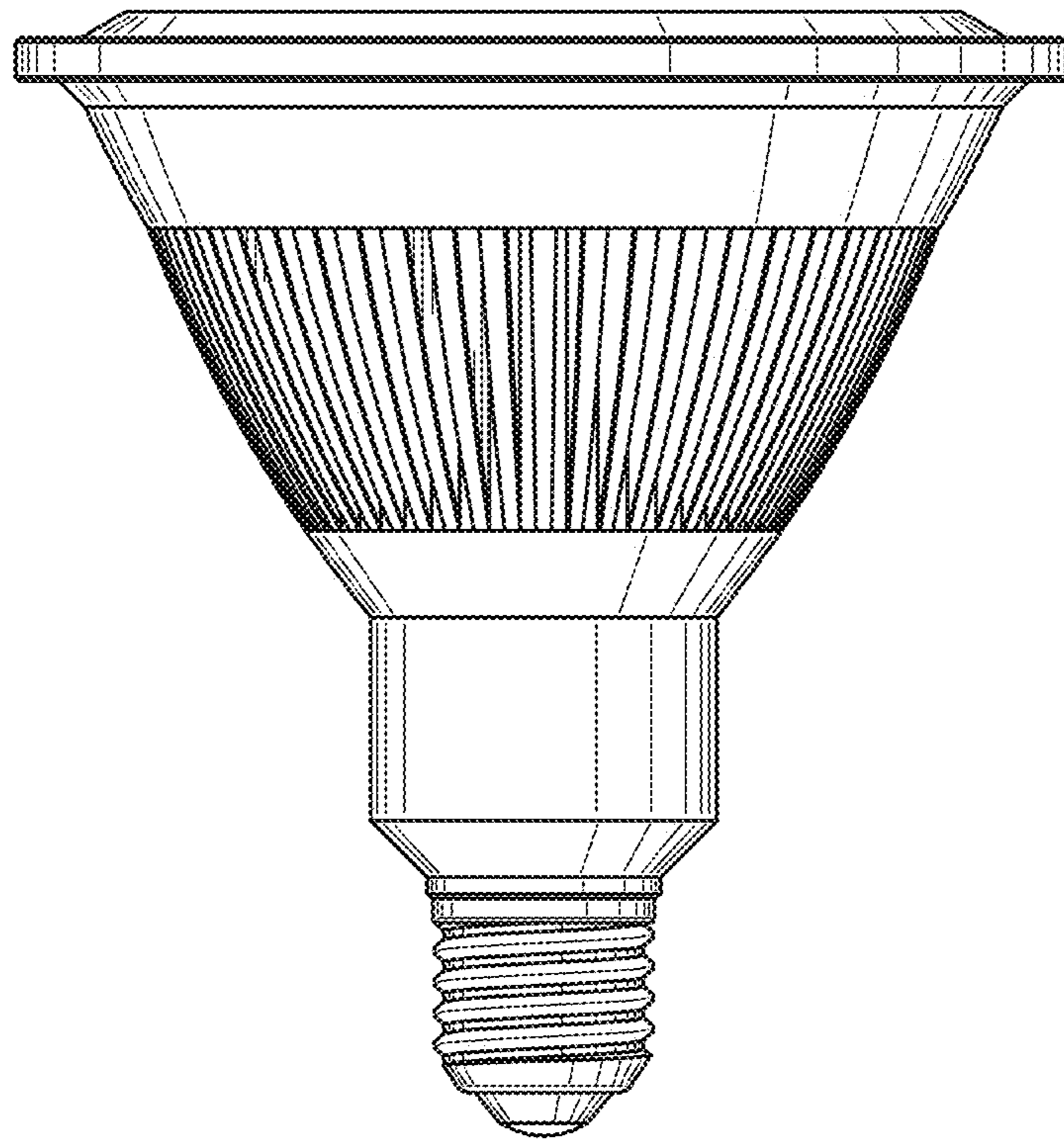


FIG. 4

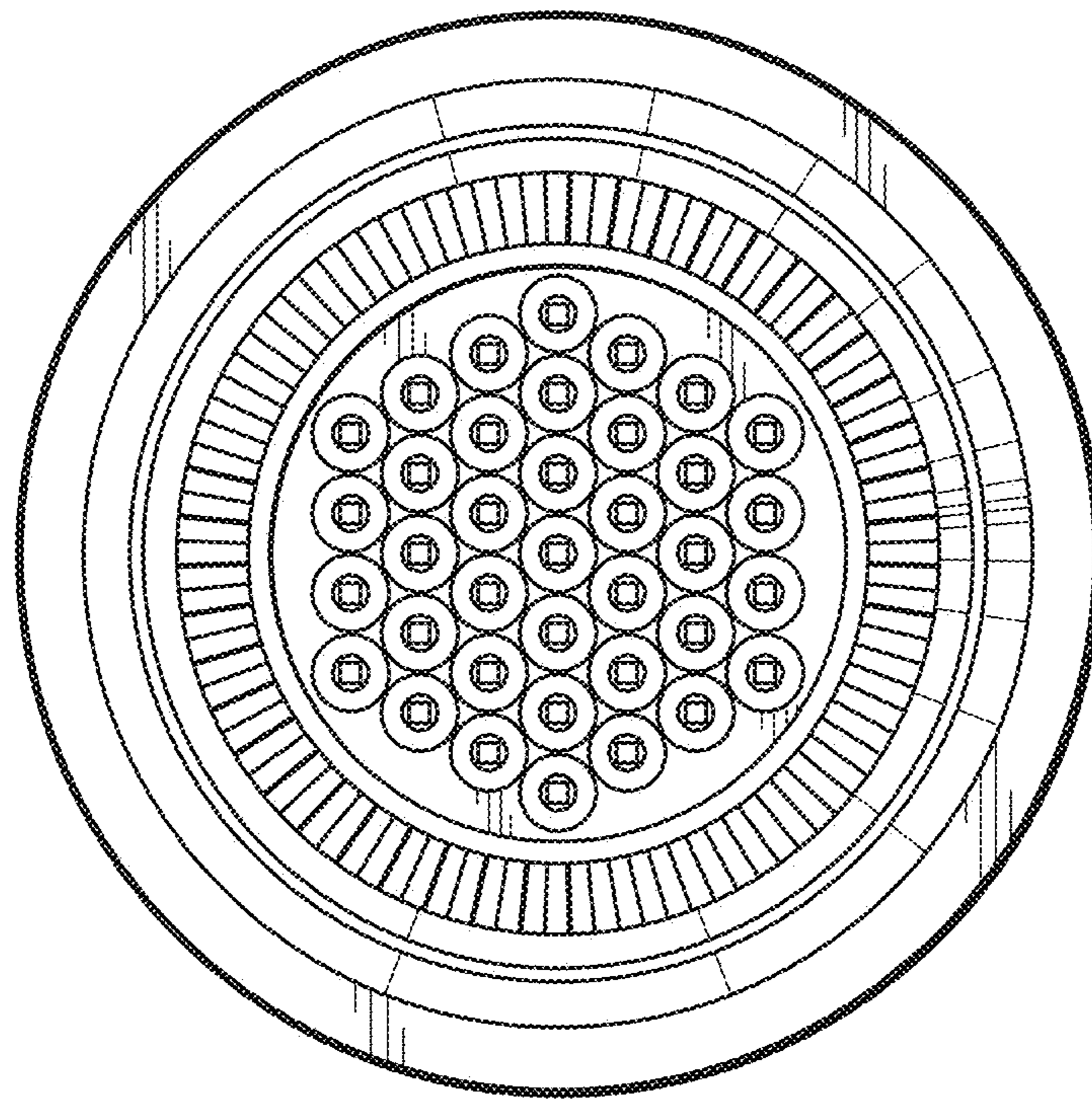


FIG. 5

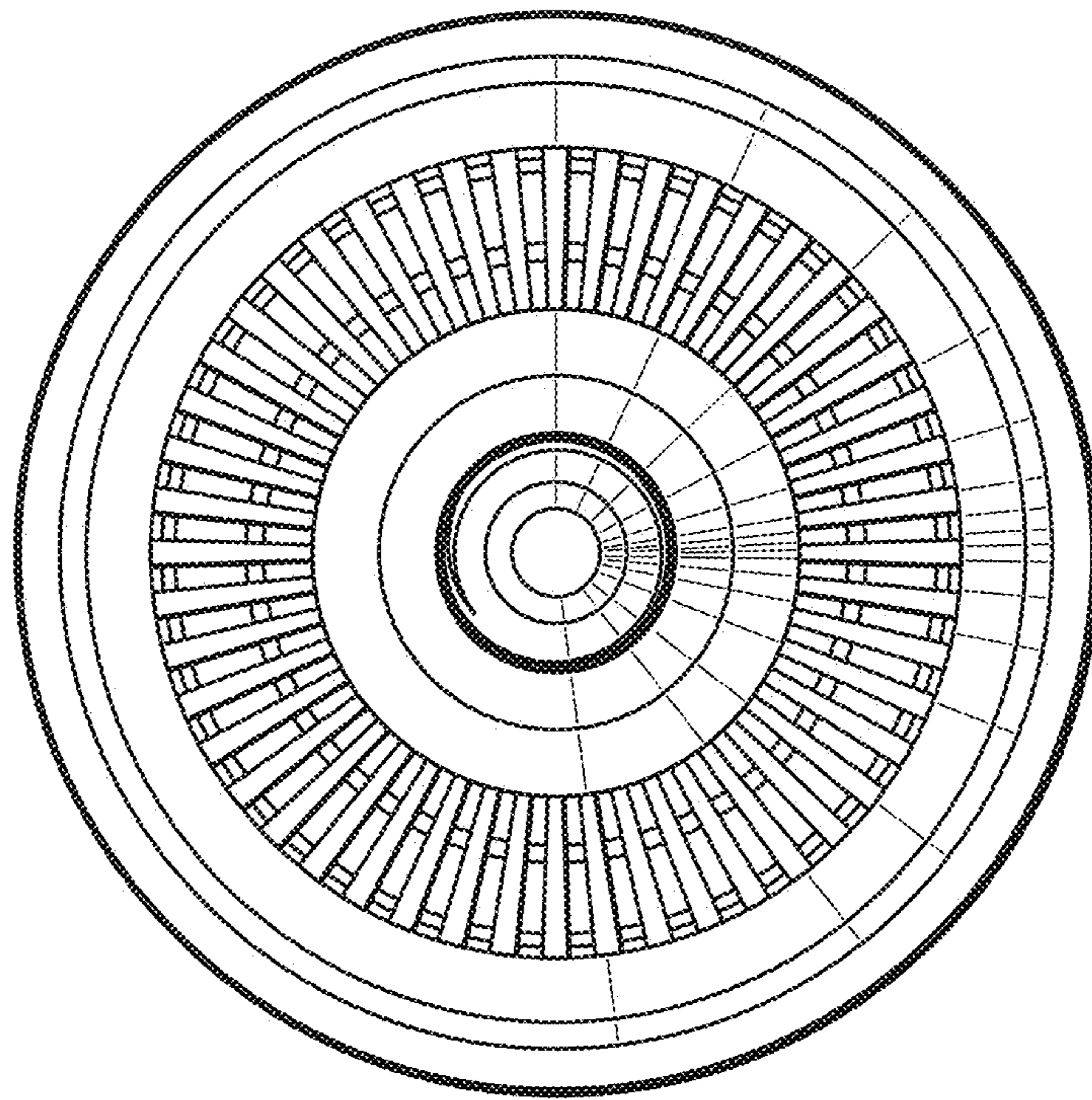


FIG. 6

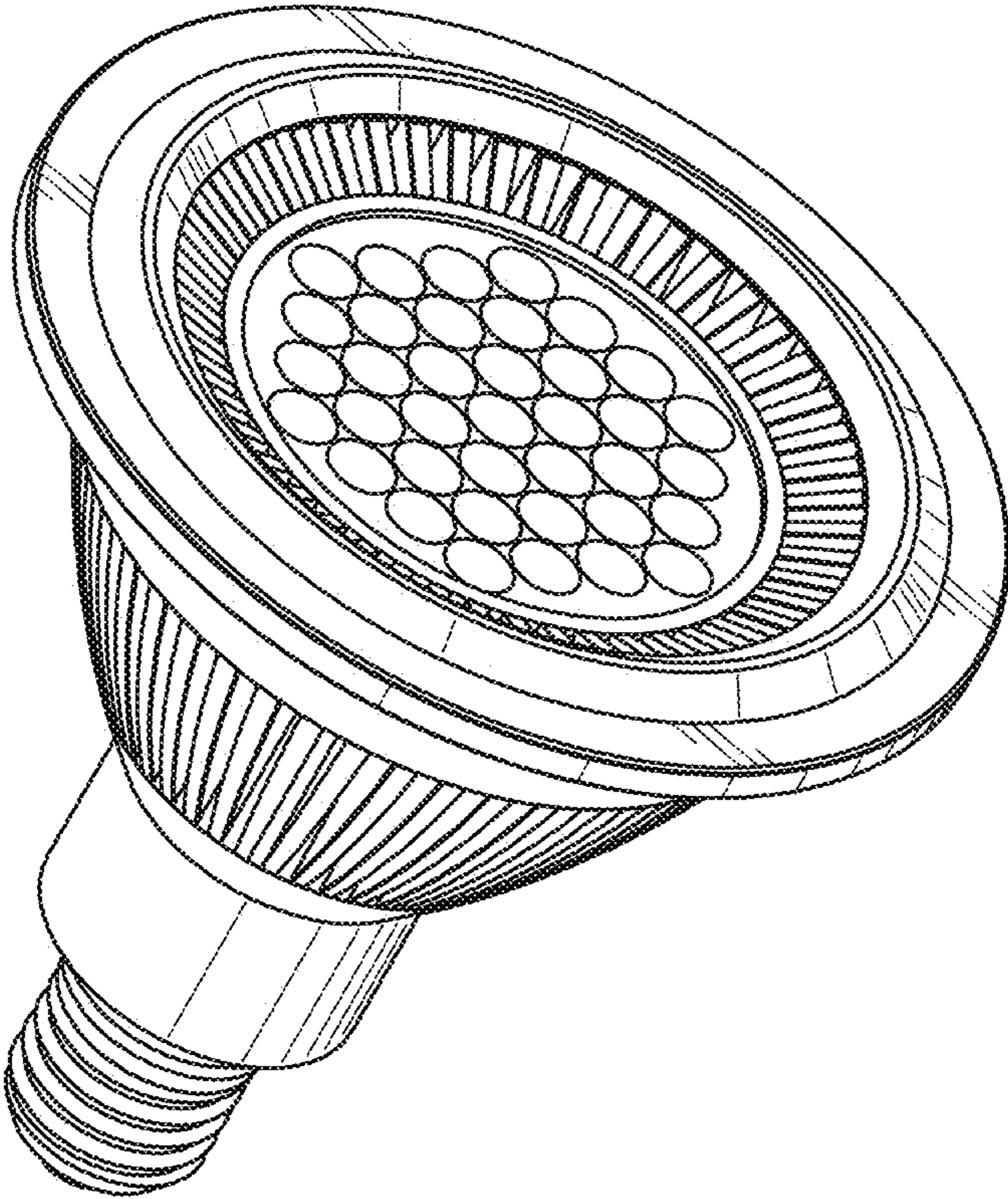


FIG. 7