



US00D732711S

(12) **United States Design Patent**
Bukkems et al.

(10) **Patent No.:** **US D732,711 S**
(45) **Date of Patent:** **** Jun. 23, 2015**

(54) **LED BULB**

(71) Applicant: **KONINKLIJKE PHILIPS N.V.**,
Eindhoven (NL)

(72) Inventors: **Peter Johannes Martinus Bukkems**,
Deurne (NL); **Johannes Petrus Maria**
Ansems, Hulsel (NL); **Simon Eme**
Kadijk, Veldhoven (NL); **Peter**
Rijskamp, Venray (NL)

(73) Assignee: **KONINKLIJKE PHILIPS N.V.**,
Eindhoven (NL)

(**) Term: **14 Years**

(21) Appl. No.: **29/480,260**

(22) Filed: **Jan. 24, 2014**

(30) **Foreign Application Priority Data**

Jul. 26, 2013 (EM) 002282392-0003

(51) **LOC (10) Cl.** **26-04**

(52) **U.S. Cl.**
USPC **D26/2**

(58) **Field of Classification Search**
USPC D26/1-4; 313/313, 315, 316, 317, 318,
313/493; 315/52, 53, 56, 57, 58
See application file for complete search history.

(56) **References Cited**

U.S. PATENT DOCUMENTS

D499,820	S	*	12/2004	Foo	D26/2
D508,575	S	*	8/2005	Buschmann et al.	D26/2
D528,673	S	*	9/2006	Maxik et al.	D26/2
D534,665	S	*	1/2007	Egawa et al.	D26/2
D549,854	S	*	8/2007	Takahashi et al.	D26/2
D574,091	S	*	7/2008	Sun	D26/2
D589,175	S	*	3/2009	Xue	D26/2

* cited by examiner

Primary Examiner — Marcus Jackson

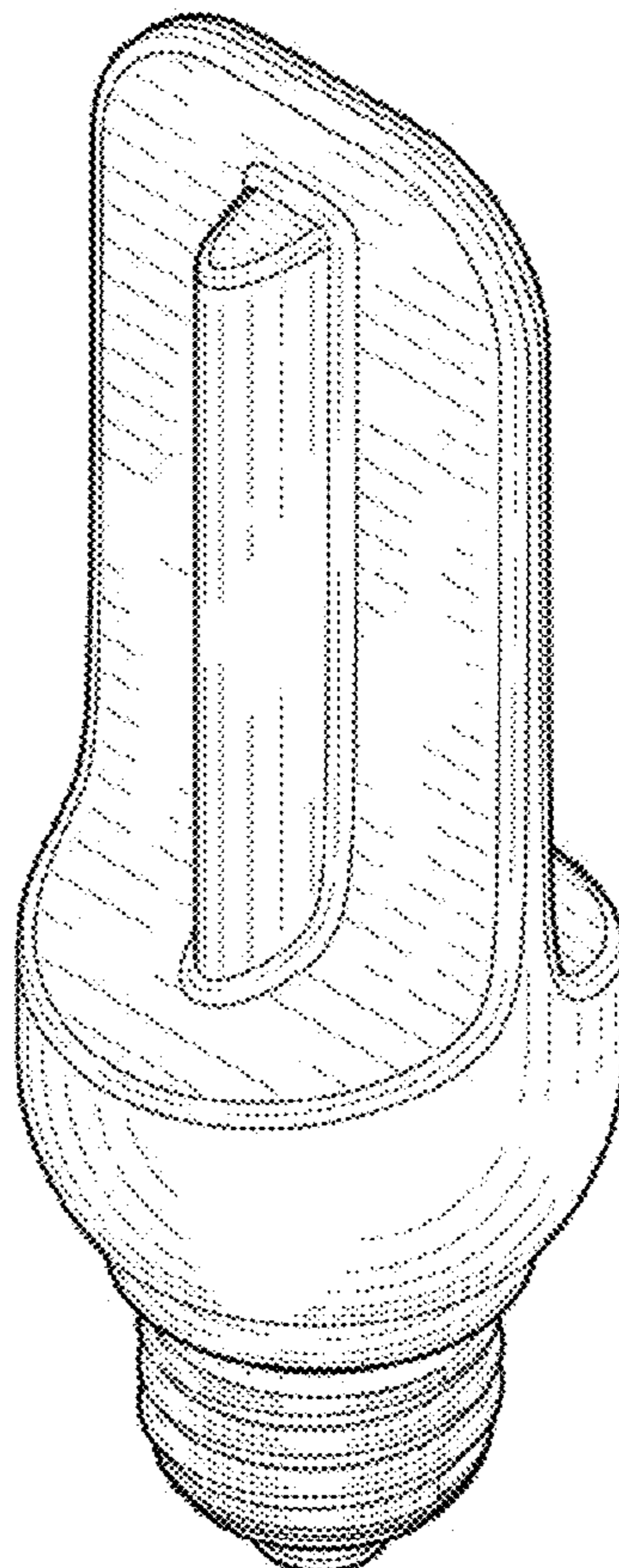
(57) **CLAIM**

The ornamental design for a LED bulb, as shown.

DESCRIPTION

FIG. 1 is a perspective view showing my design;
FIG. 2 is a front elevational view thereof;
FIG. 3 is a rear elevational view thereof;
FIG. 4 is a right side elevational view thereof;
FIG. 5 is a left side elevational view thereof;
FIG. 6 is a top plan view thereof; and,
FIG. 7 is a bottom plan view thereof.

1 Claim, 3 Drawing Sheets



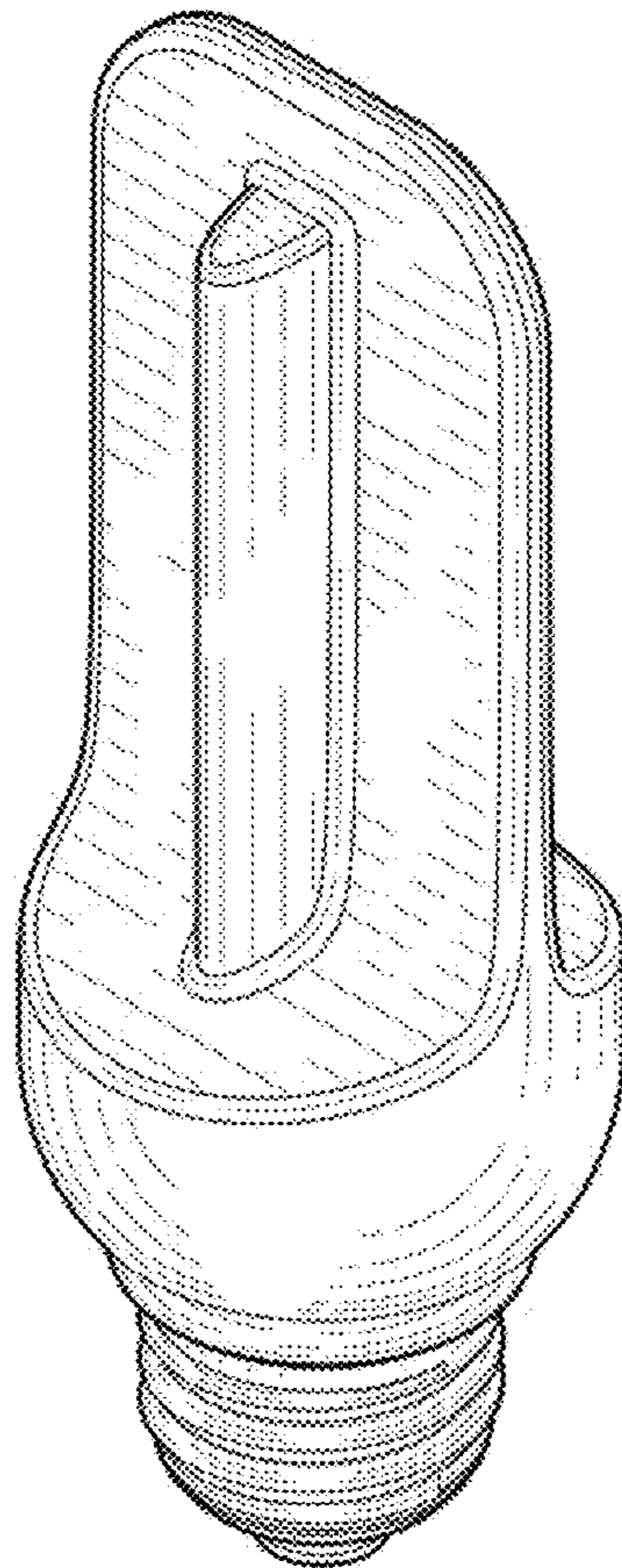


FIG. 1

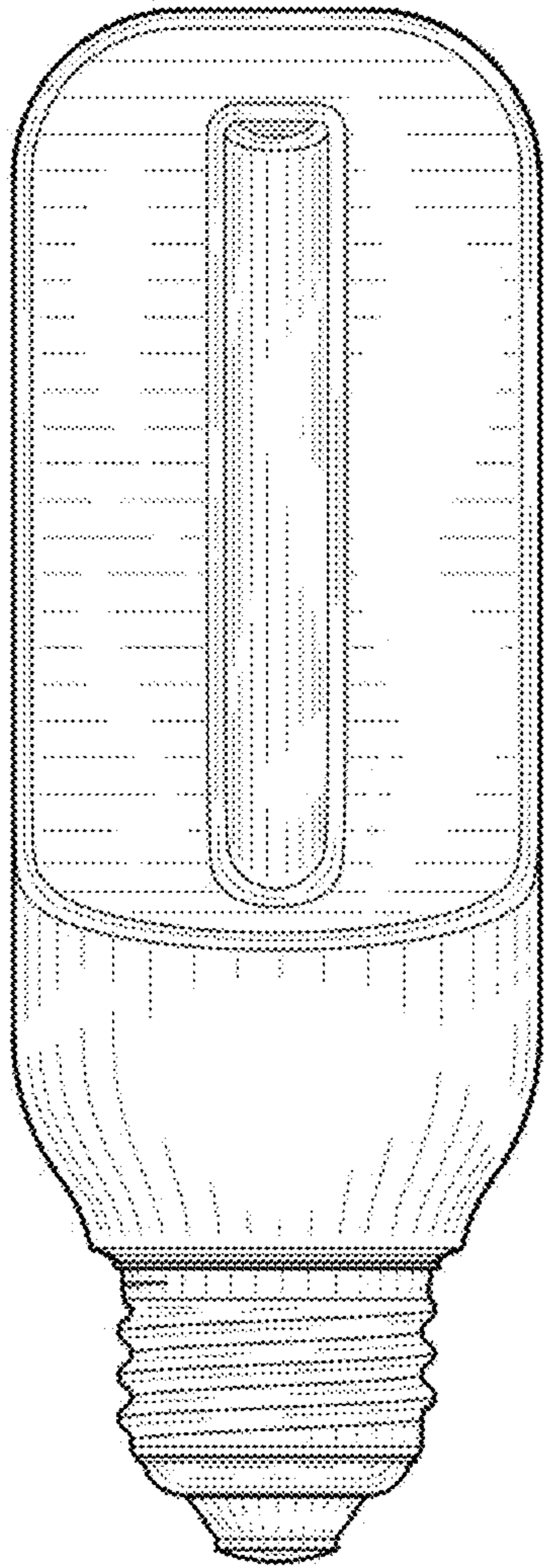


FIG. 2

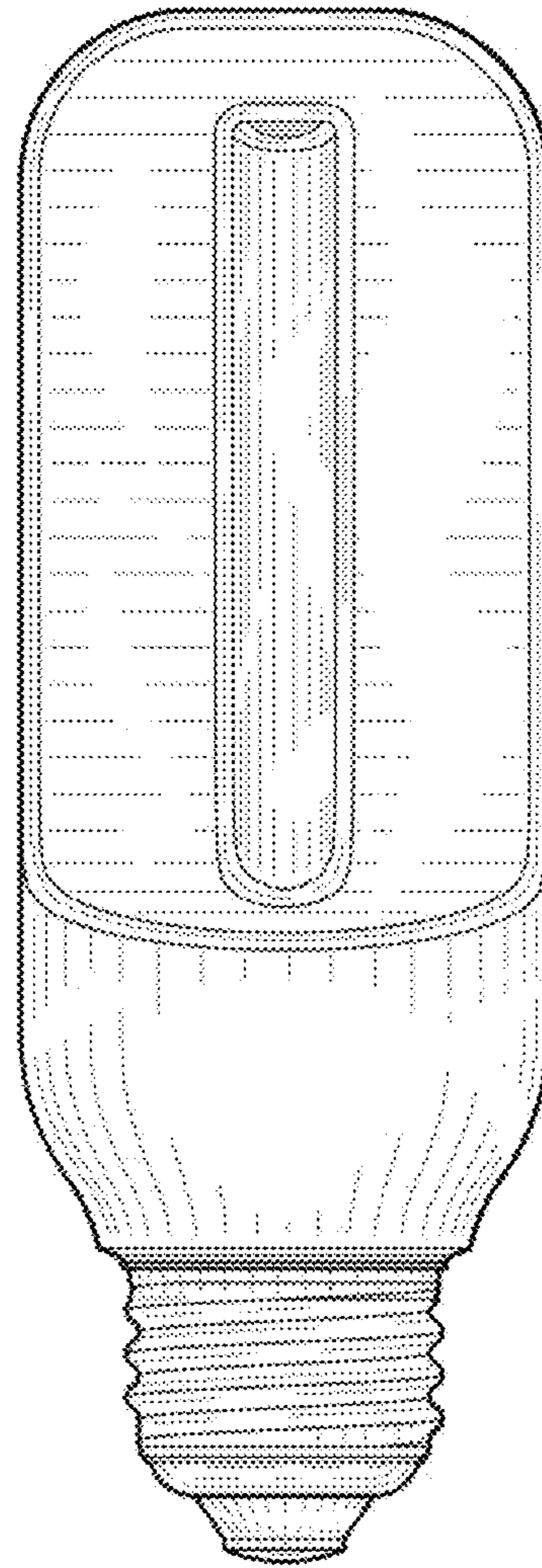


FIG. 3

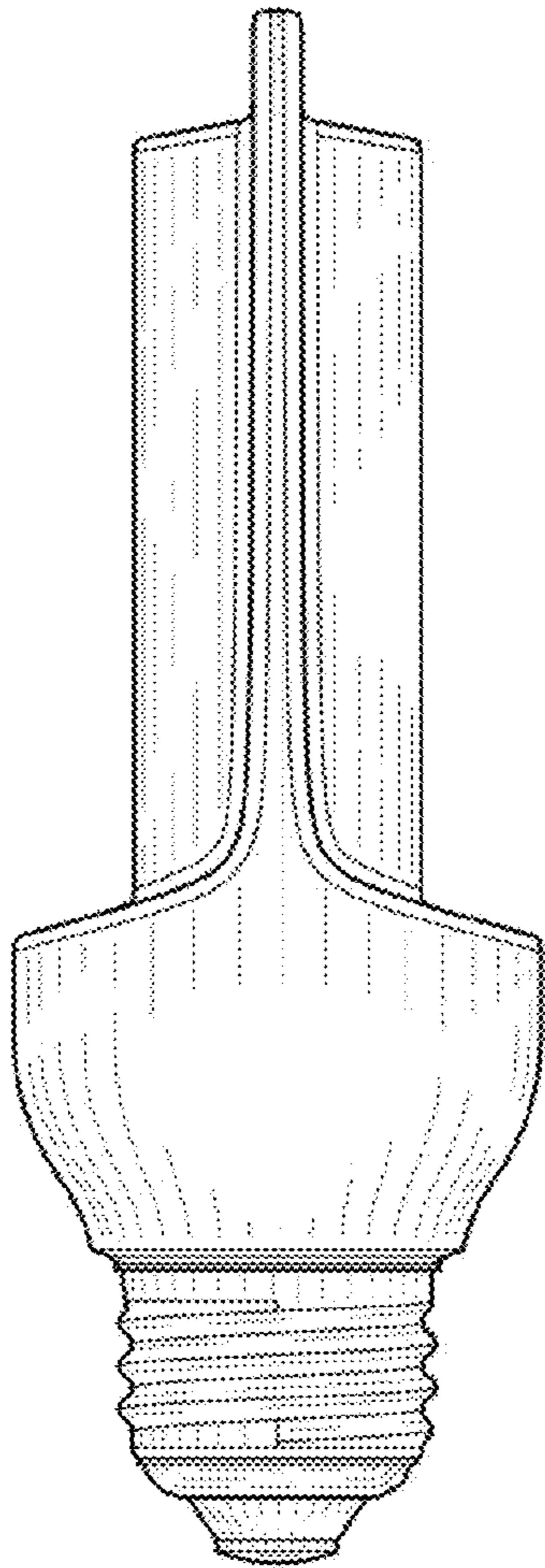


FIG. 4

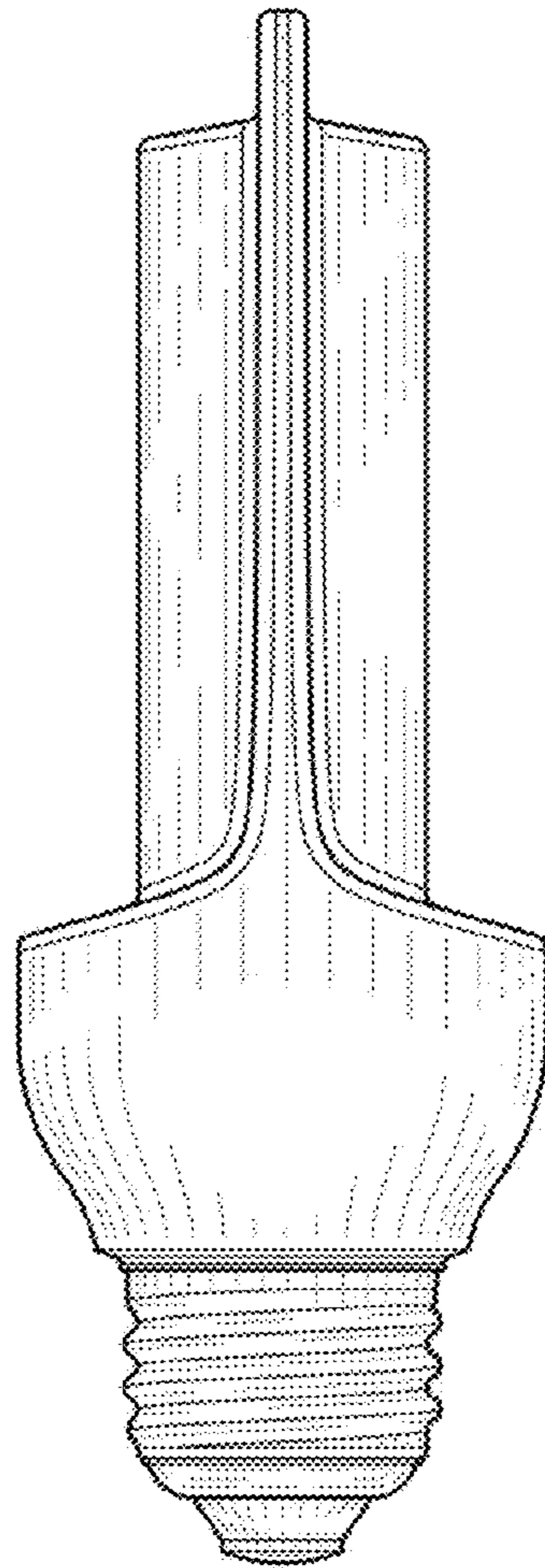


FIG. 5

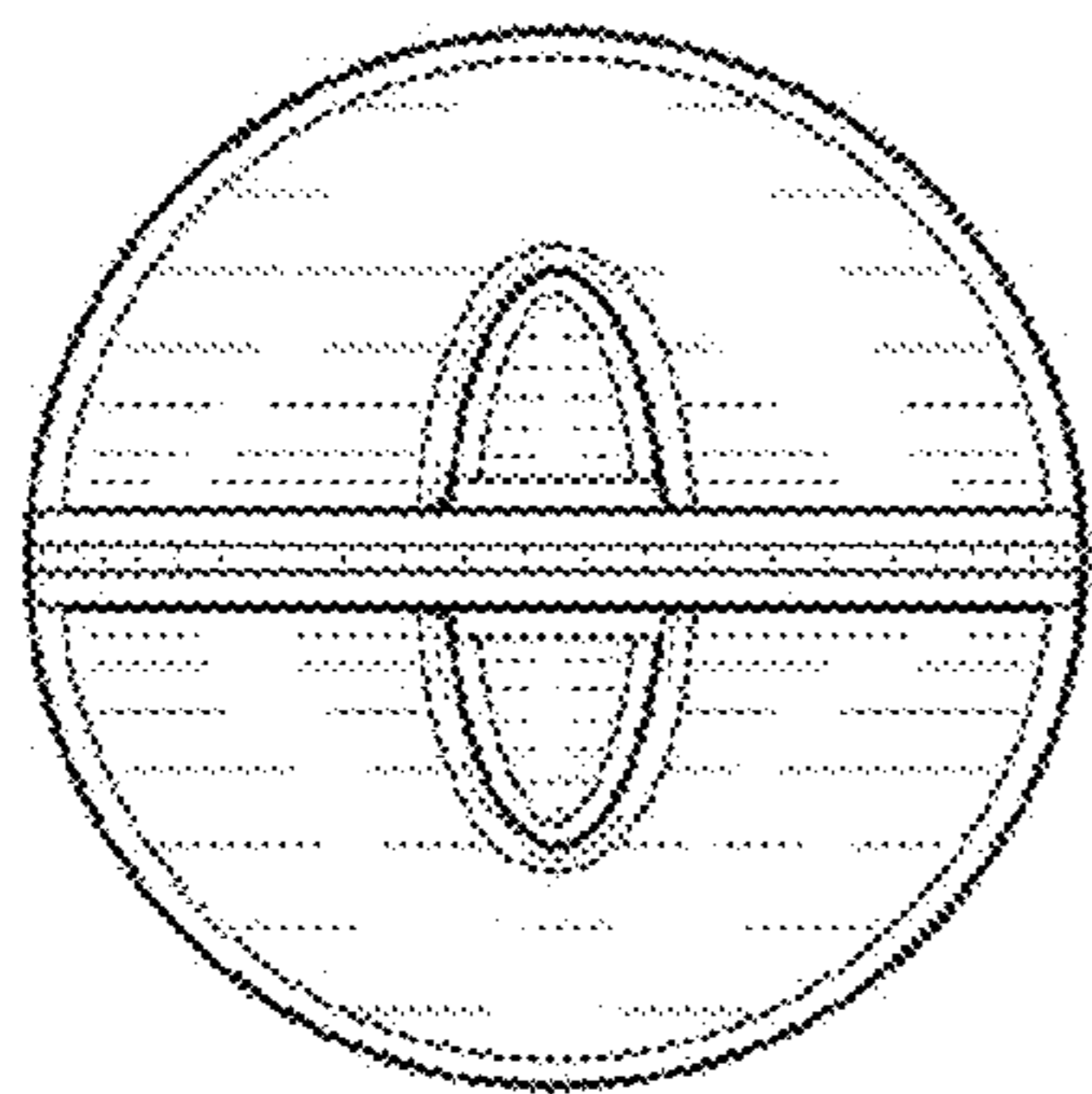


FIG. 6

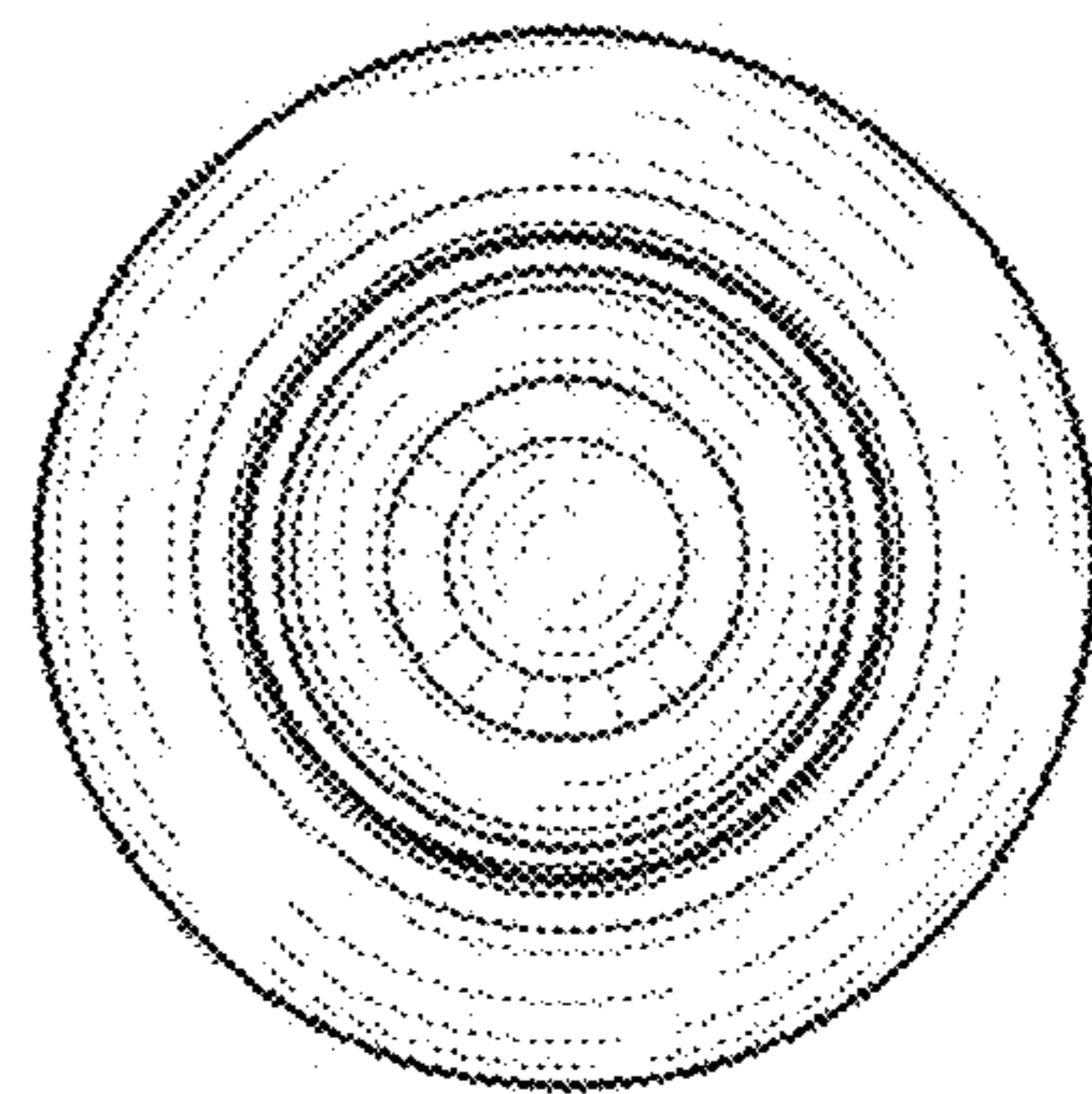


FIG. 7