



US00D732709S

(12) **United States Design Patent**  
**Allen et al.**

(10) **Patent No.:** **US D732,709 S**  
(45) **Date of Patent:** **\*\* Jun. 23, 2015**

(54) **LED LAMP WITH AN ELEVATED LIGHT UNIT**

(71) Applicant: **GE Lighting Solutions, LLC**, East Cleveland, OH (US)

(72) Inventors: **Gary Robert Allen**, Chesterland, OH (US); **Zhiyong Wang**, ShangHai (CN); **Jian Li**, ShangHai (CN); **Jinlin Cao**, ShaanXi (CN); **Michael MacDonald**, Ann Arbor, MI (US)

(73) Assignee: **GE LIGHTING SOLUTIONS, LLC**, East Cleveland, OH (US)

(\*\*) Term: **14 Years**

(21) Appl. No.: **29/448,755**

(22) Filed: **Mar. 13, 2013**

(51) **LOC (10) Cl.** ..... **26-04**

(52) **U.S. Cl.**  
USPC ..... **D26/2**

(58) **Field of Classification Search**  
USPC ..... D26/1-4; 313/313, 315, 316, 317, 318, 313/493; 315/52, 53, 56, 57, 58  
See application file for complete search history.

(56) **References Cited**

**U.S. PATENT DOCUMENTS**

D536,107 S	1/2007	Egawa et al.	
D537,174 S	2/2007	Osawa et al.	
D543,288 S *	5/2007	Bembridge	D26/2
D544,109 S *	6/2007	Tsuruha et al.	D26/2
D558,904 S *	1/2008	Tsuruha et al.	D26/2
D579,130 S *	10/2008	Hernandez et al.	D26/2
D600,368 S *	9/2009	Bertram et al.	D26/2
D610,272 S *	2/2010	Guo et al.	D26/2
D614,320 S	4/2010	Yoo	
D628,322 S	11/2010	Sakai et al.	
D634,032 S	3/2011	de Visser	
D644,766 S	9/2011	Su	
D646,808 S	10/2011	Shi	

D653,364 S	1/2012	Howard et al.	
D655,829 S	3/2012	Lee	
D659,859 S	5/2012	Yoshinobu et al.	
D675,350 S *	1/2013	Zhang	D26/2
2004/0150787 A1	8/2004	Niculas et al.	
2007/0104963 A1	5/2007	Hsieh et al.	
2010/0208488 A1	8/2010	Luo	
2010/0290234 A1	11/2010	Bierhuizen et al.	
2011/0249467 A1	10/2011	Boonekamp	
2011/0267836 A1	11/2011	Boonekamp et al.	
2011/0273900 A1	11/2011	Li et al.	

**FOREIGN PATENT DOCUMENTS**

CA	131101 S	1/2010
CA	139836 S	11/2011

\* cited by examiner

*Primary Examiner* — Marcus Jackson

(74) *Attorney, Agent, or Firm* — GE Global Patent Operation; Peter T. DiMauro

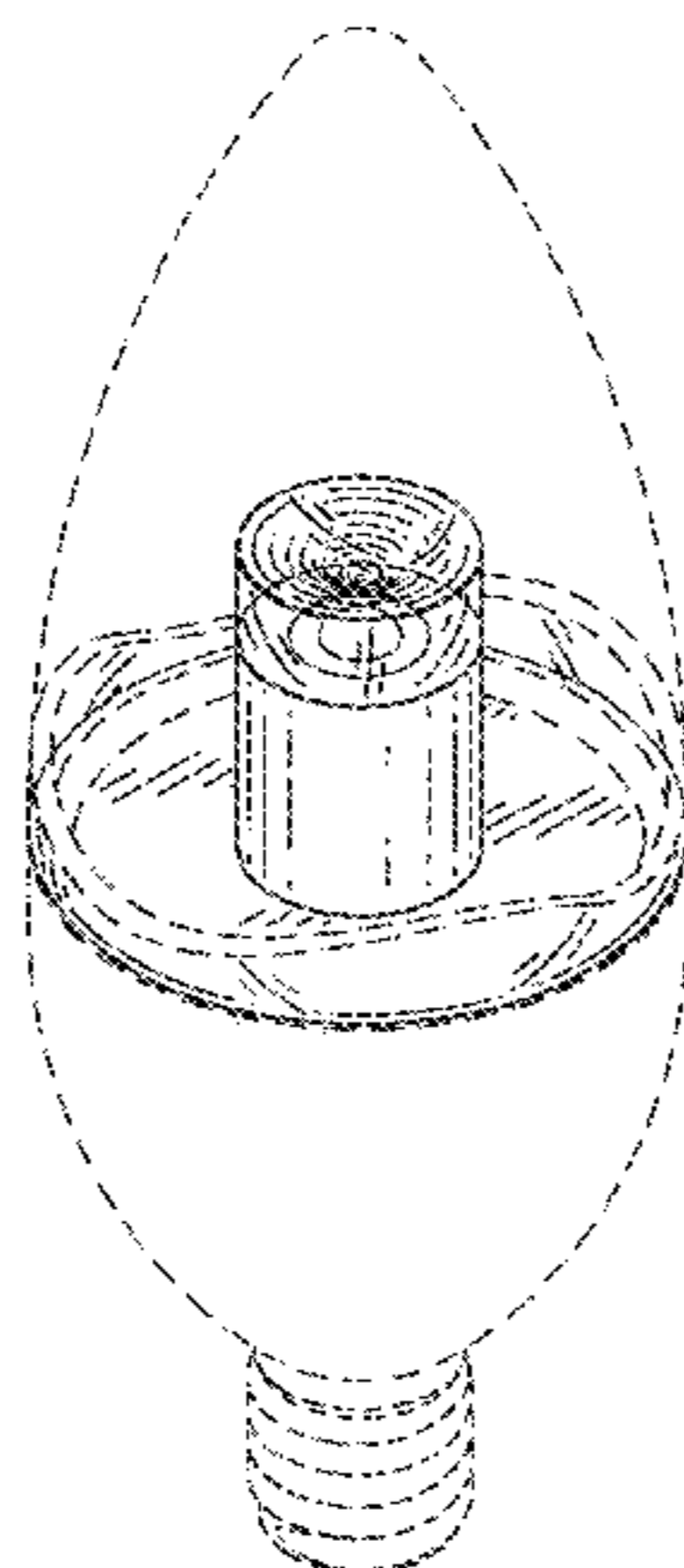
(57) **CLAIM**

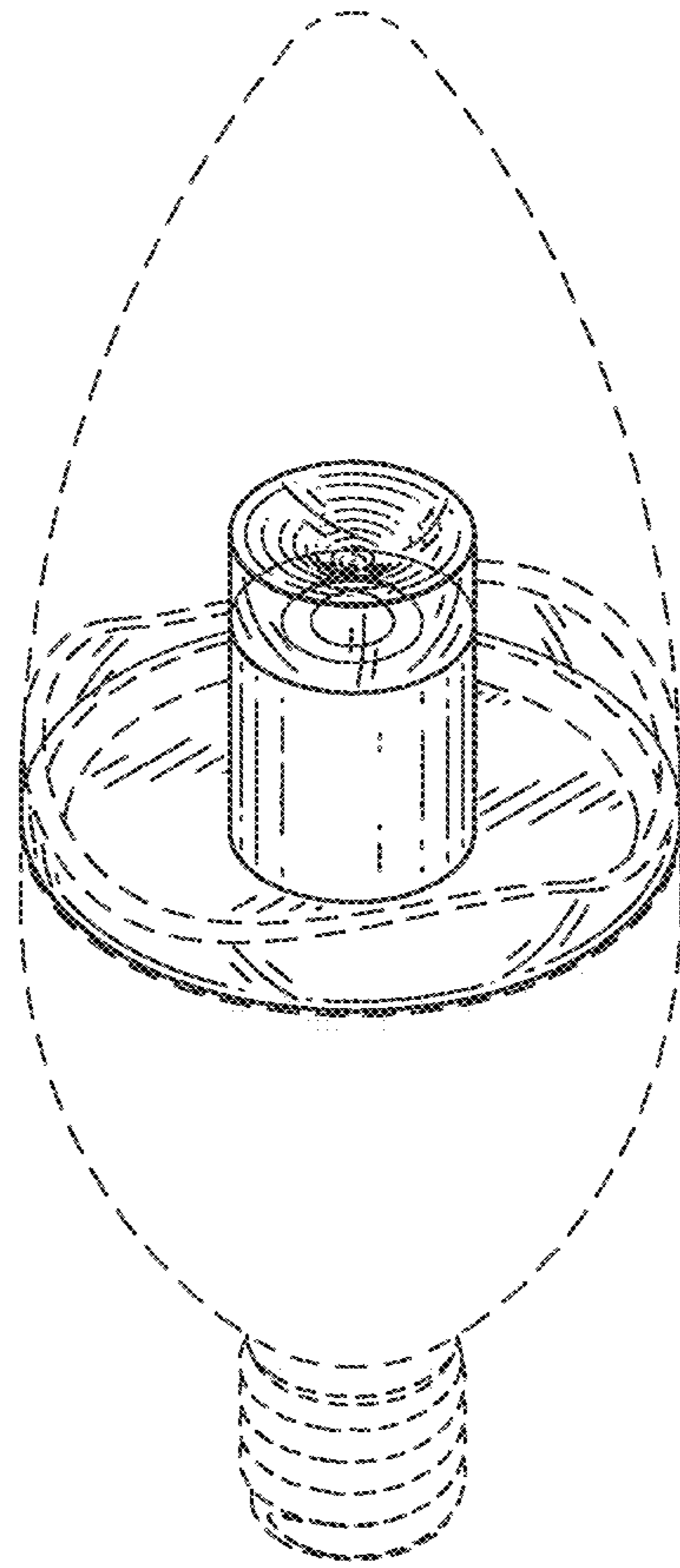
The ornamental design for a LED lamp with an elevated light unit, as shown and described.

**DESCRIPTION**

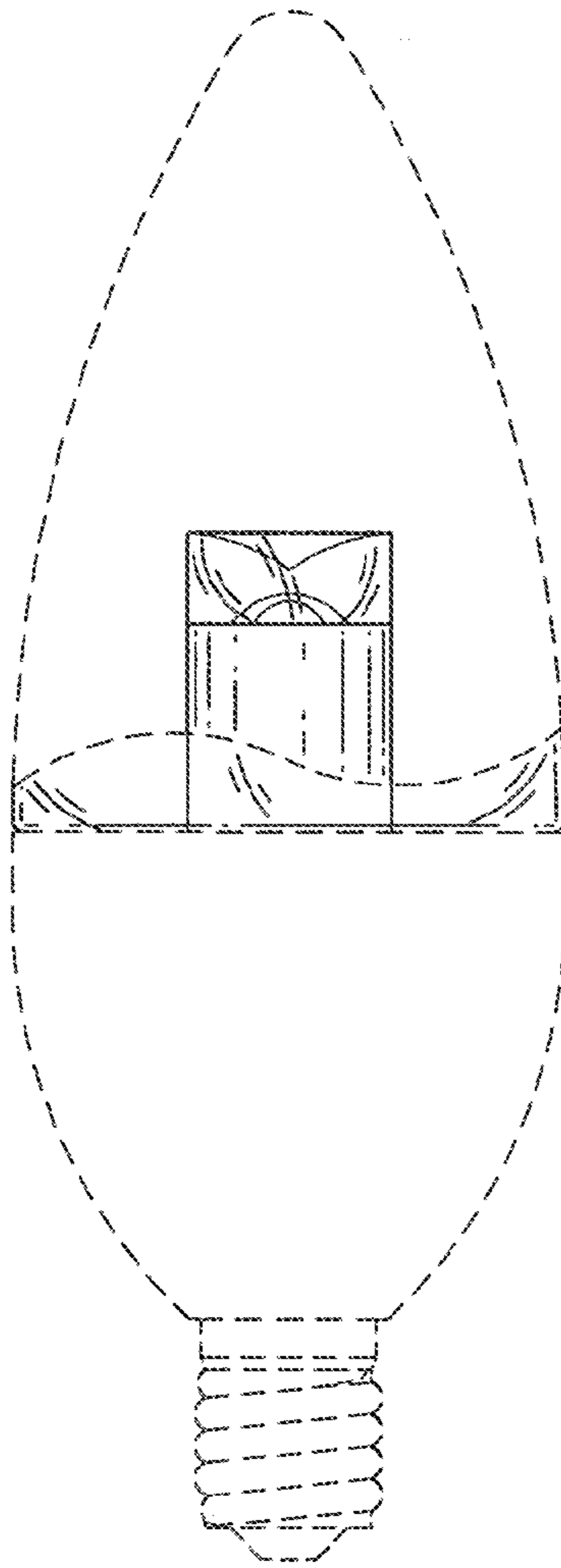
FIG. 1 is a perspective view of a LED lamp with an elevated light unit; FIG. 2 is a front elevation view of the lamp of FIG. 1; FIG. 3 is a rear elevation view of the lamp of FIG. 1; FIG. 4 is a left elevation view of the lamp of FIG. 1; FIG. 5 is a right elevation view of the lamp of FIG. 1; FIG. 6 is a top plan view of the lamp of FIG. 1; and, FIG. 7 is a bottom plan view of the lamp of FIG. 1. The phantom lines showing capper, bulb tip, and lamp base, as well as the shape, position, and size of these are for illustrative purposes only and form no part of the claimed design. Any shading forms no part of the claimed design and is provided to illustrate contour only and is not an indication of texture, gloss, etc.

**1 Claim, 4 Drawing Sheets**

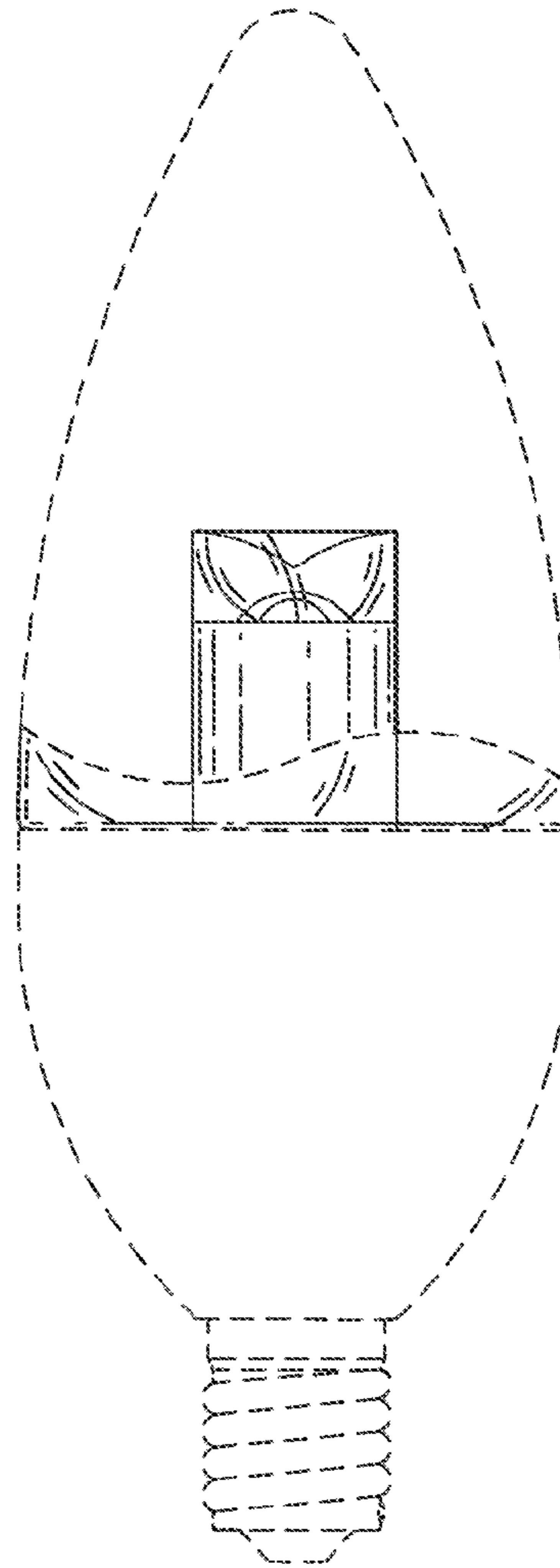




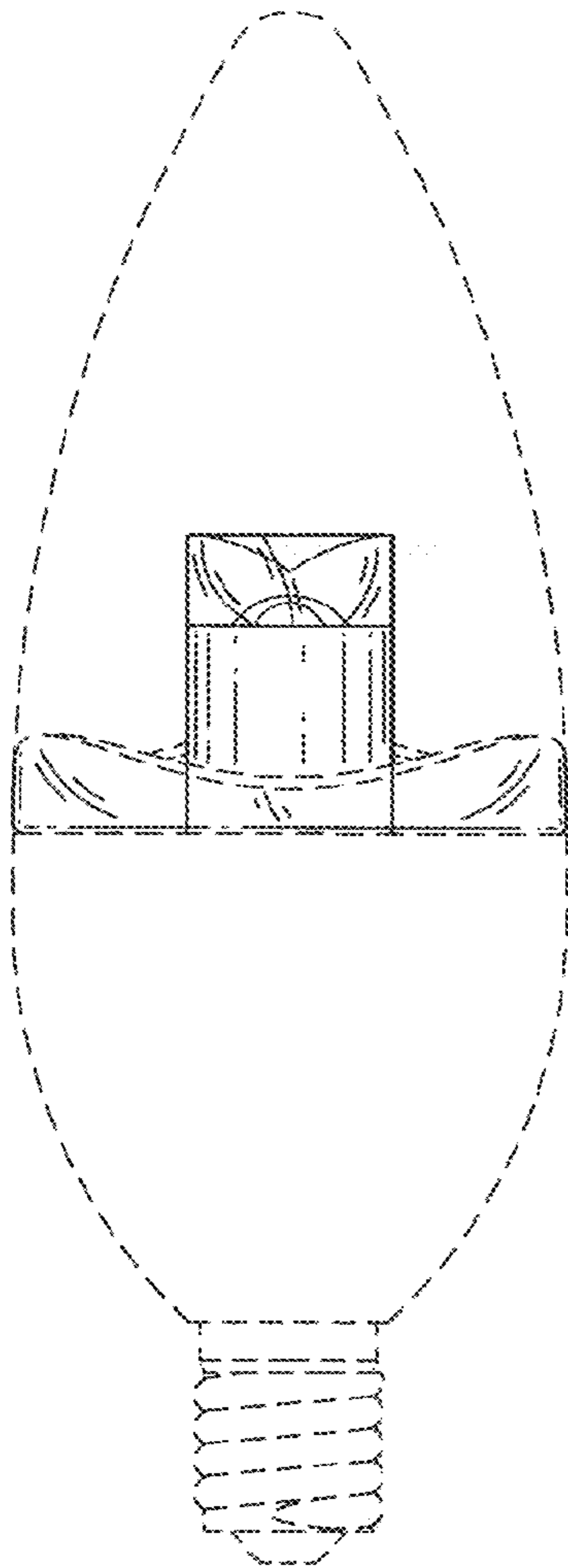
**FIG. 1**



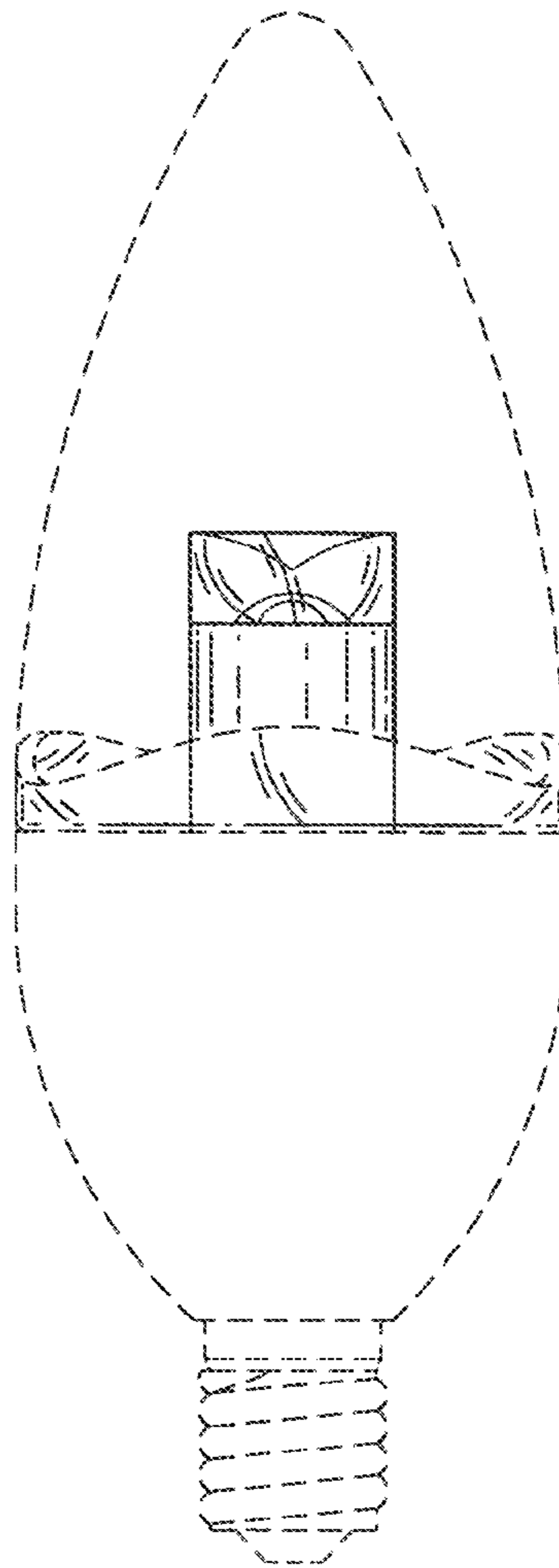
**FIG. 2**  
FRONT



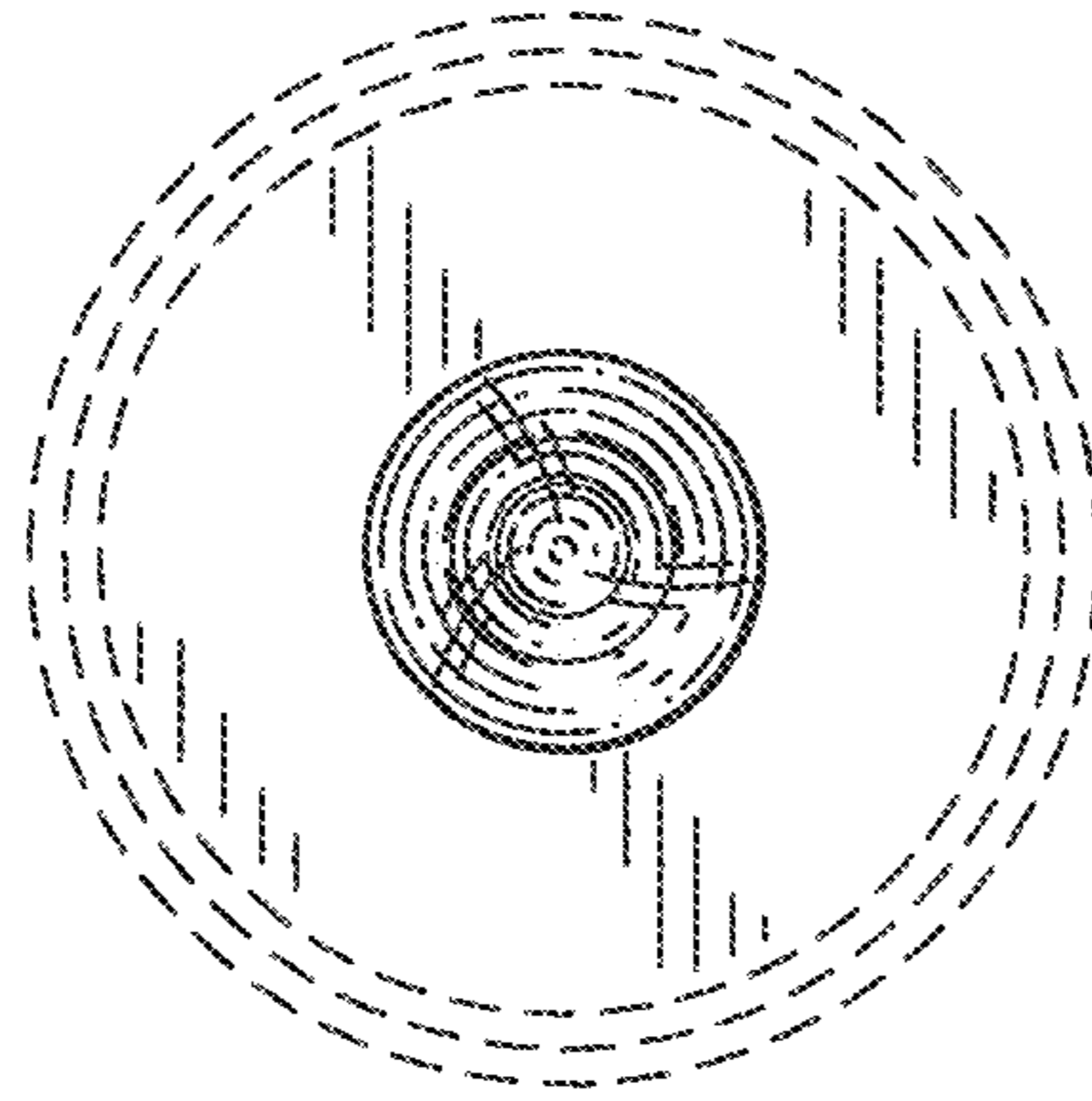
**FIG. 3**  
REAR



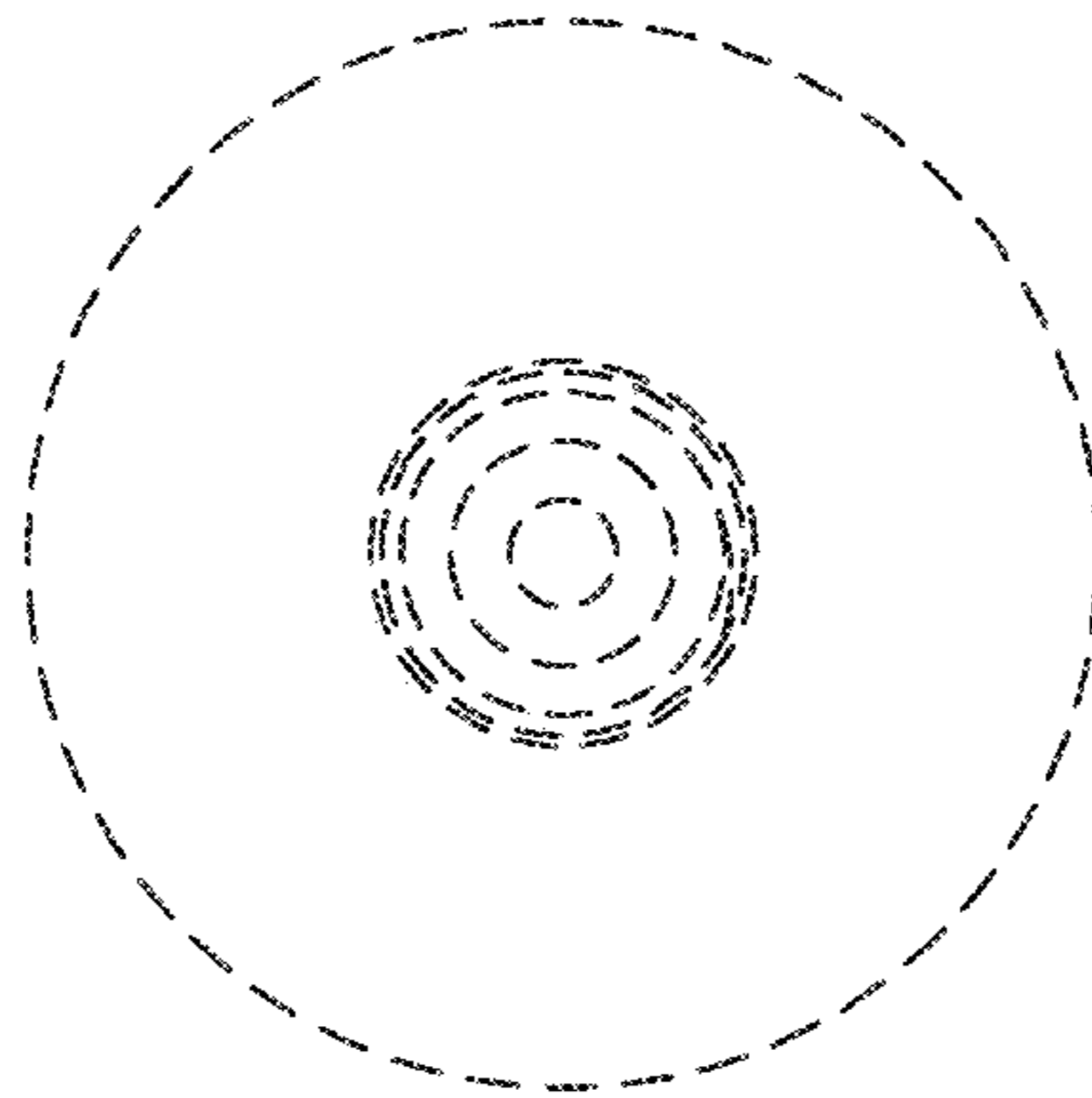
**FIG. 4**  
LEFT



**FIG. 5**  
RIGHT



**FIG. 6**  
TOP



**FIG. 7**  
BOTTOM