



US00D732708S

(12) **United States Design Patent**  
**Stauffer et al.**

(10) **Patent No.:** **US D732,708 S**  
(45) **Date of Patent:** **\*\* Jun. 23, 2015**

(54) **FLARED JOIST AND RAFTER CONNECTOR**

(71) Applicant: **Simpson Strong-Tie Company, Inc.**,  
Pleasanton, CA (US)

(72) Inventors: **Timothy M. Stauffer**, Pleasant Hill, CA  
(US); **Larry Randall Daudet**,  
Brentwood, CA (US); **Jin-Jie Lin**,  
Livermore, CA (US)

(73) Assignee: **Simpson Strong-Tie Company**,  
Pleasanton, CA (US)

2/7457; E04B 2/7412; E04B 2/7854; E04B  
2/7409; E04B 2/7411; E04B 2001/2684;  
E04B 2001/2439; E04B 2001/2415; E04B  
2001/2466; E04B 2011/2448; E04B  
2001/2484; E04B 2001/1927; E04B 2001/405;  
E04B 2001/2481; E04B 2002/8682; E04B  
5/12; E04B 5/10; E04B 2003/3615; E04B  
2003/0452; E04B 2003/0434; E04B 9/008;  
E04B 9/00; E04C 3/02; E04C 3/292; E04C  
3/07; E04C 2003/026; E04D 5/147; E04D  
12/006; F16B 12/46; A47G 1/10

See application file for complete search history.

(\*\*) Term: **14 Years**

(21) Appl. No.: **29/478,004**

(22) Filed: **Dec. 30, 2013**

(51) **LOC (10) Cl.** ..... **25-01**

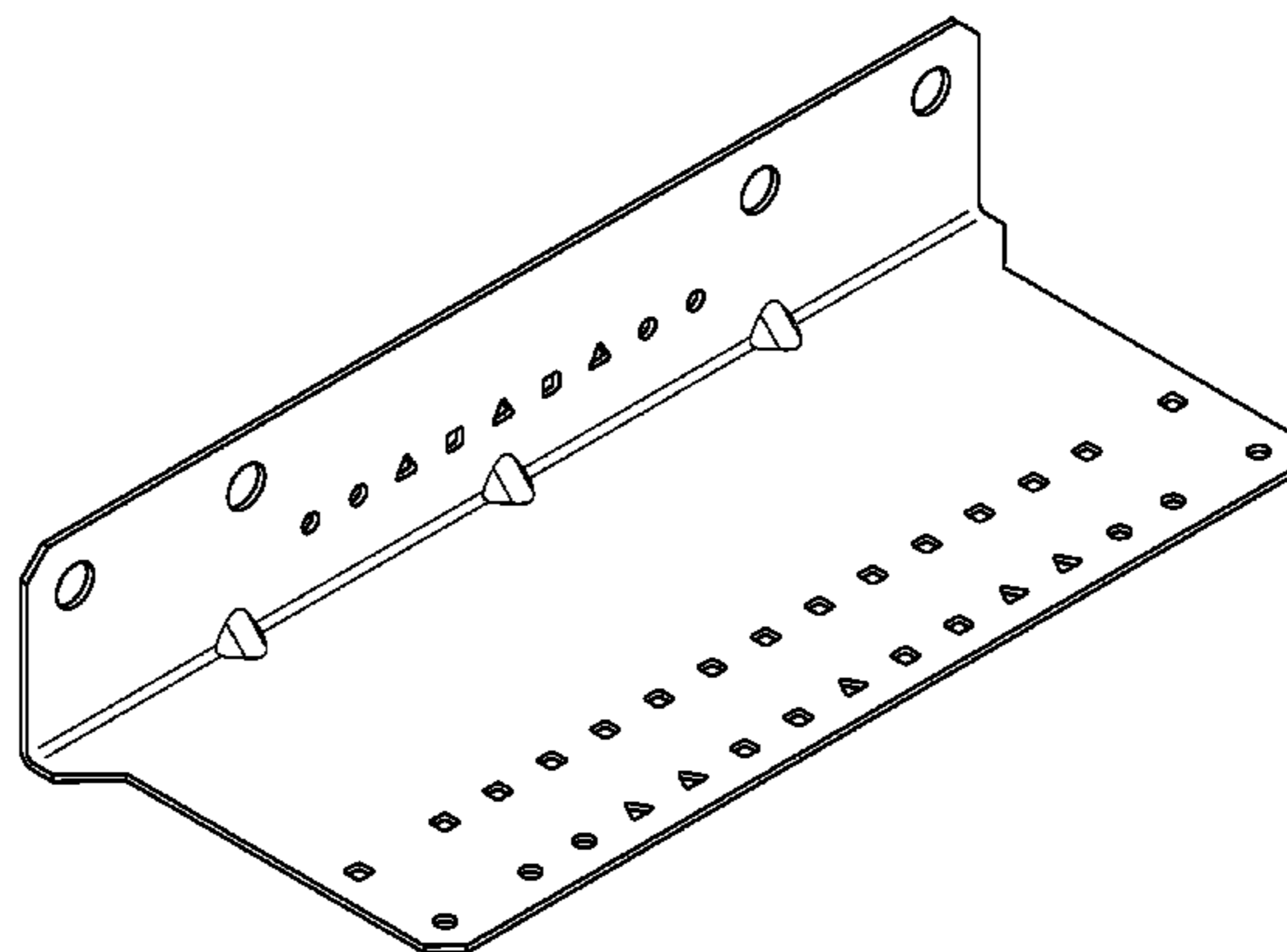
(52) **U.S. Cl.**  
USPC ..... **D25/133; D25/61; D8/354**

(58) **Field of Classification Search**  
USPC ..... D25/133, 61, 134, 141-144, 147, 148,  
D25/163, 164, 199, 114, 118, 60; D8/354,  
D8/366, 394, 380-382, 349, 353, 385,  
D8/499; D23/386, 393; D15/28, 148;  
D6/712, 512, 513, 514, 567, 572;  
D14/238; 52/655.1, 696, 712-715,  
52/702, 481.1, 241, 489.1, 289, 92.2,  
52/285.2, 93.1, 105, 235, 719, 831, 838,  
52/842, 844, 845, 846, 640, 641, 688,  
52/582.1, 582.6, 745.15, 745.21, 645,  
52/653.2, 649.1, 649.2, 650.1-651.08,  
52/654.1, 693, 701, 703, 709, 710, 293.3,  
52/295, 296; 248/351, 300, 354.3-354.7,  
248/694, 903, 220.41, 228.1, 56, 57,  
248/499-500, 507, 346.01; 403/403, 231,  
403/199, 167, 168, 187-191; 211/70.6;  
29/897.34, 897.35, 897.3, 897.31,  
29/897.312, 897.32, 897.33; 264/31  
CPC ... E04B 1/2608; E04B 1/2612; E04B 1/2604;  
E04B 1/2403; E04B 1/1903; E04B 1/24;  
E04B 1/41; E04B 1/4185; E04B 2/8617;  
E04B 2/767; E04B 2/825; E04B 2/96; E04B

(56) **References Cited**

U.S. PATENT DOCUMENTS

529,154 A	11/1894	Banks	
719,191 A	1/1903	Collins	
992,941 A	5/1911	Danielson	
1,101,745 A	6/1914	Jones	
1,346,426 A	7/1920	Sherbner	
1,568,944 A	1/1926	Beebe	
1,729,935 A	10/1929	Froehlich	
1,791,197 A	2/1931	Dickson	
1,945,925 A	2/1934	Stiefel	
2,065,529 A	12/1936	Kehr et al.	
2,218,426 A	10/1940	Hurlbert, Jr.	
2,361,828 A *	10/1944	Drayer	52/204.2
2,365,478 A	12/1944	Grotta	
2,610,710 A	9/1952	Shannon	
2,751,644 A *	6/1956	Pedersen	403/384
2,815,863 A *	12/1957	Larson	211/70.1
2,873,828 A	2/1959	Zitomer	
2,900,677 A	8/1959	Yetter	
2,905,426 A	9/1959	Ross	
2,918,995 A	12/1959	Kruger	
3,003,600 A	10/1961	MacKenzie	
3,038,568 A	6/1962	Morgan	
3,083,794 A	4/1963	Stovail	
3,126,928 A	3/1964	McMillan	
3,299,839 A	1/1967	Nordbak	
3,321,880 A	5/1967	Ferrell et al.	
3,322,447 A	5/1967	Biggs	
3,482,369 A	12/1969	Burke	
3,490,604 A	1/1970	Klein	
3,490,797 A	1/1970	Platte	
3,537,219 A	11/1970	Navarre	
D220,877 S *	6/1971	Tigerman	D25/199
3,606,227 A	9/1971	Klein	



US D732,708 S

3,653,172 A	4/1972	Schwartz		5,274,981 A	1/1994	Commins	
3,715,850 A	2/1973	Chambers		5,287,664 A	2/1994	Schiller	
3,737,131 A *	6/1973	Larson	248/220.41	5,313,752 A	5/1994	Hatzinikolas	
3,778,952 A	12/1973	Soucy		5,323,577 A	6/1994	Whitmyer	
3,798,865 A	3/1974	Curtis		5,325,651 A	7/1994	Meyer et al.	
3,805,465 A	4/1974	Dietrich		5,335,469 A	8/1994	Stuart	
3,858,988 A	1/1975	Cohen		5,363,622 A	11/1994	Sauer	
3,897,163 A	7/1975	Holmes		2,365,501 A	12/1994	Walstrom	
3,907,445 A *	9/1975	Wendt	403/191	5,402,612 A	4/1995	diGirolamo	
3,945,741 A	3/1976	Wendt		5,403,110 A	4/1995	Sammann	
3,972,168 A	8/1976	Allen		5,446,969 A	9/1995	Terenzoni	
3,972,169 A	8/1976	Sheppard, Jr.		5,467,566 A	11/1995	Swartz et al.	
4,018,020 A	4/1977	Sauer et al.		5,471,805 A	12/1995	Becker	
4,027,453 A	6/1977	Bridge		D371,506 S *	7/1996	Nofziger	D8/354
4,043,689 A	8/1977	Spencer		5,555,694 A	9/1996	Commins	
4,067,168 A	1/1978	Thurner		5,572,844 A	11/1996	Stackenwalt et al.	
4,075,810 A	2/1978	Zakrzewski et al.		5,577,860 A	11/1996	Plank	
D248,274 S *	6/1978	Kingston et al.	D8/354	5,600,926 A	2/1997	Ehrlich	
D248,275 S *	6/1978	Gilb	D8/380	5,603,580 A	2/1997	Leek et al.	
4,095,912 A *	6/1978	Hagberg	403/187	5,605,024 A	2/1997	Sucato et al.	
D249,164 S *	8/1978	Grant	D25/199	5,625,995 A	5/1997	Martin	
4,121,391 A	10/1978	Schroeder		5,632,128 A	5/1997	Agar	
4,128,979 A	12/1978	Price		5,640,823 A	6/1997	Bergeron et al.	
4,140,294 A	2/1979	Zwarts		5,642,597 A *	7/1997	Hendrickson	52/715
4,140,417 A	2/1979	Danielsen et al.		5,664,392 A	9/1997	Mucha	
4,174,911 A	11/1979	Maccario et al.		5,669,198 A	9/1997	Ruff	
4,199,907 A *	4/1980	Bains et al.	52/122.1	5,671,580 A	9/1997	Chou	
D255,323 S *	6/1980	Palmroth	D8/373	5,682,935 A	11/1997	Bustamante	
4,208,851 A	6/1980	Sauer		5,689,922 A	11/1997	Daudet	
4,235,054 A	11/1980	Cable et al.		D388,313 S *	12/1997	Benner et al.	D8/354
4,246,736 A	1/1981	Kovar et al.		5,697,725 A	12/1997	Ballash et al.	
4,280,308 A *	7/1981	Svensson	52/98	5,720,138 A	2/1998	Johnson	
4,330,971 A *	5/1982	Auberger	52/210	5,720,571 A	2/1998	Frobosilo et al.	
4,406,374 A	9/1983	Yedor		5,729,939 A *	3/1998	Di Benedetto	52/293.3
4,422,792 A *	12/1983	Gilb	403/232.1	5,732,519 A *	3/1998	Leek	52/293.3
4,426,822 A	1/1984	Gailey		5,755,066 A	5/1998	Becker	
4,428,172 A	1/1984	Larsson		5,784,850 A	7/1998	Elderson	
4,433,524 A	2/1984	Matson		5,797,694 A *	8/1998	Breivik	403/231
4,448,004 A	5/1984	Thorsell		D397,809 S *	9/1998	Nelson et al.	D25/199
4,464,074 A	8/1984	Green		D398,283 S *	9/1998	Miller	D12/223
4,480,941 A	11/1984	Gilb et al.		D400,986 S *	11/1998	Kanta	D25/199
4,516,874 A	5/1985	Yang et al.		D401,496 S *	11/1998	Lambert et al.	D8/354
4,522,009 A	6/1985	Fingerson		5,846,018 A	12/1998	Frobosilo	
4,560,301 A	12/1985	Gilb		5,857,295 A *	1/1999	Mikawa	52/92.2
4,570,400 A	2/1986	Slager et al.		5,876,006 A	3/1999	Sharp	
4,586,841 A	5/1986	Hunter		5,899,041 A	5/1999	Durin	
4,625,415 A	12/1986	Diamontis		5,904,023 A	5/1999	diGirolamo	
D288,171 S *	2/1987	Dey	D8/73	5,906,080 A *	5/1999	diGirolamo et al.	52/243.1
4,641,474 A *	2/1987	Cannarsa	52/514	5,913,788 A	6/1999	Herren	
4,693,047 A	9/1987	Menchetti		5,921,411 A	7/1999	Merl	
D296,186 S *	6/1988	Korn	D8/346	5,937,605 A	8/1999	Wendt	
4,791,766 A	12/1988	Egri, II		5,943,838 A	8/1999	Madsen	
4,796,403 A	1/1989	Fulton et al.		5,964,071 A	10/1999	Sato	
4,809,476 A	3/1989	Satchell		5,983,589 A	11/1999	Daudet	
4,819,401 A	4/1989	Whitney, Jr.		6,021,618 A	2/2000	Elderson	
4,840,005 A	6/1989	Cochrane		6,058,668 A	5/2000	Herren	
4,843,776 A	7/1989	Guignard		6,088,982 A	7/2000	Hiesberger	
4,850,169 A	7/1989	Burkstrand et al.		6,101,780 A	8/2000	Kreidt	
4,858,407 A	8/1989	Smolik		6,112,495 A	9/2000	Gregg et al.	
4,864,791 A	9/1989	Platt		6,120,206 A *	9/2000	Benner et al.	403/231
4,912,894 A	4/1990	Platt		D432,000 S *	10/2000	Hays	D8/354
4,914,878 A	4/1990	Tamaki et al.		D432,394 S *	10/2000	Hays	D8/354
4,916,877 A	4/1990	Platt		6,131,358 A *	10/2000	Wise	52/702
4,932,173 A *	6/1990	Commins	52/92.2	D434,639 S *	12/2000	Willett	D8/354
4,949,929 A	8/1990	Kesselman et al.		6,158,188 A	12/2000	Shahnazarian	
4,951,436 A	8/1990	Burkstrand et al.		6,164,028 A	12/2000	Hughes	
4,964,253 A	10/1990	Loeffler		D436,017 S *	1/2001	Hays	D8/354
5,027,494 A	7/1991	Martin		D438,650 S *	3/2001	Neuhofer, Jr.	D25/199
5,092,100 A	3/1992	Lambert et al.		D438,778 S *	3/2001	Ribe	D8/354
5,104,252 A	4/1992	Colonias et al.		6,199,336 B1	3/2001	Poliquin	
5,113,631 A	5/1992	diGirolamo		6,199,929 B1	3/2001	Hansch	
5,127,760 A	7/1992	Brady		6,213,679 B1	4/2001	Frobosilo et al.	
5,155,962 A	10/1992	Burkstrand et al.		6,242,698 B1	6/2001	Baker, III et al.	
5,189,857 A	3/1993	Herren		6,254,306 B1 *	7/2001	Williams	403/403
5,216,858 A	6/1993	Gilmour		6,260,318 B1	7/2001	Herren	
5,218,803 A	6/1993	Wright		6,290,214 B1	9/2001	DeSouza	
5,253,465 A	10/1993	Gilb		6,295,781 B1	10/2001	Thompson	
5,265,396 A	11/1993	Amimoto		6,301,854 B1	10/2001	Daudet et al.	
5,274,973 A	1/1994	Liang		6,315,137 B1	11/2001	Mulford	



2014/0270923 A1 9/2014 Daudet et al.  
 2014/0290163 A1\* 10/2014 Rice ..... 52/289  
 2015/0033662 A1 2/2015 Daudet et al.

FOREIGN PATENT DOCUMENTS

WO WO-96/31667 A1 10/1996

OTHER PUBLICATIONS

“Wall Bridging Detail”. NuconSteel Product Catalog, 2003, front cover, table of contents, p. 34. NuconSteel., USA.  
 “Double Deep-Leg Track”, “Bridge Clip Installation”, “BC600 & BC800 Installation”, “BridgeBar”, “BridgeClip”, “BC600 or BC800”. The Steel Network, Inc. Product Catalog, Jan. 2004, front cover, p. 11, 27, 49. Steel Network, Inc., USA.  
 “Bridging, Bracing & Backing: Spazzer 5400 Spacer Bar (SPZS), Bar Guard (SPBG) & Grommet (SPGR)”. Clip Express Product Catalog: Clips, Connectors & Framing Hardware, Apr. 2012, p. 77. Clark Dietrich Building Systems, USA.  
 “Metal-Lite Products”. Metal Lite website, metal-lite.net. Accessed Sep. 20, 2013, one page. Metal Lite 2012, USA.  
 “Mantisgrip Product Catalog 2012”. Catalog, 2012, 10 pages and cover. Mantisgrip 2012, USA.  
 U.S. Appl. No. 13/845,057, “Inverted Bridging Connector”. Unpublished (filed Mar. 7, 2013), (Daudet, Larry R. and Oellerich, Paul H., Applicants), application p. 1-38; drawings p. 1-10.  
 “Multiple Truss Hangers; Twist Straps; Girder Tiedowns”. Simpson Strong-Tie Product Catalog: Plated Truss Connectors and Masonry Connectors, C-2011, p. 141 and 163, USA.  
 “HD/HDN Holdowns”, Simpson Strong-Tie Product Catalog: Strong-Tie Connectors. 1986, p. 6, USA.  
 “Hold Downs: KHDA/KH/KHDN”, Lumberlok: Engineered Metal Fasteners Product Catalog. MiTek Group Company, 1988, p. 6 and back cover, USA.  
 “Wood to Wood Uplift Connector Assembly; Masonry Uplift Connectors”, Hughs Manufacturing, Inc. Product Catalog, 1997/1998. pp. 24, 37 and front cover. Largo, FL.  
 “Angles and Hold Downs”, KC Metals Superspeed Connectors Product Catalog, 1980. p. 26, USA.  
 “StiffClip CL Floor Tie”, Steel Network Product Catalog, Aug. 2011. p. 49, USA.  
 “Wood Construction Connectors”, Simpson Strong-Tie Company Catalog, C-2009, pp. front cover, 25, 40128,136,152,158, 162-164, 166-167, 171, 179, 180, back cover. 2009-2010, Simpson Strong-Tie Company, Inc., USA.  
 “Handverkerkatalog”, BMF Catalog, 1989, pp. front cover, 1.10.2, 1.15.2, 1.20.2, 1.25.2, 1.30.2, 1.35.2, 1.40.2, 1.45.2,1.50-51.2, 1.55.2, 1.65.2, 3.20.2, 5.10.2, 6.10.2, 7.25.2, 9.00.2, 13.00. Printed in the Netherlands.  
 “Re-Defining the Standard” USP Lumber Connectors, A Gibraltar Company, Full Line Catalog 2000. pp. front cover, 14, 18, 27, 7275, 78, 81, 101, 149. United Steel Products Company, 2000, Montgomery, MN.  
 “Wood to Wood: Heavy Angles” Hughes Manufacturing, Inc. Product Catalog, 1997-1998. pp. front cover and p. 25. Hughes Manufacturing, Inc., 1998, Largo, Florida, USA.  
 “Advanced Connector Systems: Connectors for Wood Construction” Product Catalog 1997, pp. front cover, 29, 30, 33. Advanced Connector Systems, USA.  
 “Metal Connectors” SEMCO Product Catalog 1997-1998, pp. cover, 16, 21, 24, 34, 35, 53, 59, back cover. Southeastern Metals Manufacturing Company, Inc., 1998, Jacksonville, FL.  
 “Superspeed Connectors: Structural Wood Fasteners”, Golden Gate Equipment Product Catalog, Jan. 1974. pp. cover page, 9, 12, 23. KC Metal Products, Jan. 1974, USA.  
 “Structural Wood Fasteners”, TECO Product Catalog, Jun. 1972. pp. cover, 5, 7, 11, back cover. TECO Publication No. 101, Washington D.C., 1972, USA.  
 “Structural Timber Connectors”, HMP Product Catalog No. 390. pp. cover, 4, 7, 8, 15, 18, 20, 24-26, back cover. Harlen Metal Products, Inc., 1990, Compton, CA, USA.

“Connectors”, KANT-SAG Product Catalog No. 100-7/84. pp. cover, 12, 30, 32, 38, 40-42, 50. United Steel Products Company, 1984, Minnesota, USA.  
 “Silver Catalog S81 Sweet’s 1981 Architectural File”, Silver Metal Products Catalog, 1981. pp. cover, 19-22, 25. Silver Metal Products, Inc., 1981, USA.  
 “Framing Accessories: Building and Concrete Construction Devices” Bowman Product Catalog 1978-1979. pp. cover, 3, 5, 6, 20. P.H. Bowman Co., Inc., Jun. 1978, USA.  
 “Engineered Metal Fasteners” Lumberlok Product Catalog, 1988. pp. cover, 32-33, 38-39, 47. A MiTek Group Company, LumberLok, May 1988, USA.  
 “Superspeed Connectors: Structural Wood Fasteners” KC Metals Product Catalog, 1978. pp. front cover, 5, 36, 41, back cover. KC Metals Products, Inc., 1978, San Jose, CA, USA.  
 “Superspeed Connectors: Connectors for Wood Construction”, KC Metals Product Catalog, 1992. pp. front cover, 16, 19, 24, 34, 36, 38, back cover. KC Metals Products, Inc., 1992, San Jose, CA, USA.  
 Tanaka Steel Product Catalog, pp. front cover, 40, 72. Tanaka Steel, Inc., Jul. 1996, Japan.  
 “Curtain Wall Systems; DriftClip and DriftTrak”, The Steel Network Product Catalog, May 2009. pp. front cover, 32 and 36. The Steel Network Inc., Durham, NC, USA, 2009.  
 “Deflection Clips: Bypass Slab Slide Clip PLC2”, Priceless Steel Products Catalog, 2004. pp. 12 and 13. SCAFCO Steel Stud Manufacturing, Co., www.pricelesssteel.com, USA.  
 “Clip Central”, Priceless Steel Products Clip Central website, http://www.pricelesssteel.com, printed on Aug. 30, 2010, 2 pgs.  
 “VertiClip SLB”, Steel Network Products website, http://www.steelnetwork.com/Product/VertiClipSLB, printed on Dec. 26, 2012, 2 pgs.  
 “Curtainwall Deflection Solutions”, Super Stud Building Products Catalog, 2001. pp. front cover, inside cover, 8-13, 16-17, specifications page, company overview page, back cover. Super Stud Building Products, Inc., 2000, NY, USA.  
 “Light Steel Framing Connections: Interior, Exterior, Vertical Deflection, Drift”, The Steel Network Product Catalog, Nov. 2013. pp. front cover, 6,9,11,13,15-21,27-32,35-37,42,47,50-53, 55,65,69,75,76. The Steel Network, Inc., 2013, USA.  
 “CD-Clip Express” Clark Dietrich Product Catalog, Apr. 2012. pp. front cover, 15-19,22-23,30-49,94, back cover. Clark Dietrich Building Systems, 2012, OH, USA.  
 “CD-Clip Express: Rigid Connections: Moment Clip (MC Series)”, Clark Dietrich Product Catalog, Nov. 2014. pp. 1 and 2, Clark Dietrich Building Systems, 2014, OH, USA.  
 “FA—Secure Floor Anchor Clip”, SCAFCO Product Catalog, Apr. 2013. p. 23. Steel Stud Company, Inc., 2013, USA.  
 “FrameRite Connectors: Rigid Clip Connector (RCC)”, MarinotWare Product Catalog, Jul. 2008. 2 pages. Marino Ware and www.marinoware.com, USA.  
 Schafer, B.W., et al., “Accommodating Building Deflections: What every EOR should know about accommodating deflections in secondary cold-formed steel systems.” NCSEA/CASE/SEI, Structure Magazine, Apr. 2003, Chicago.  
 “International Search Report and The Written Opinion of the International Searching Authority,” PCT/US2012/030963, Jul. 30, 2012, 6 pages.  
 “Redi Klip Submittal: Head-of-Wall Positive Attachment Deflection Clip,” Total Steel Solution, as early as May 22, 2013, 2 pages, USA.  
 “Posi Klip Product Information: Head-of-Wall Positive Attachment Deflection Clip,” FireTrak Corporation, as early as May 22, 2013, 1 page, USA.  
 “Sliptrack Systems: Slotted Deflections Track Systems for Interior and Exterior Walls,” SlipTrack Systems, 2003, 6 pages. Dietrich Metal Framing: A Worthington Industries Company, USA.  
 “TSN Products: Steel framing products,” The Steel Network TSN website, 2010, 2 pages. The Steel Network, Inc., USA.  
 “TSN Product: VertiClip® SLB,” The Steel Network TSN website, Dec. 26, 2012, 2 pages, The Steel Network, Inc., USA.  
 “Priceless Steel Products Clip Central,” Priceless Steel Products Website, Aug. 30, 2010, 2 pages. Scafco Steel Stud Manufacturing Co., WA.

“Bypass Slab Slip Clip: PLC2,” Priceless Steel Product Catalog, as early as May 22, 2013, p. 12-13. Scafco Steel Stud Manufacturing Co., WA.

“SLP-TRK® Slotted Track (BDTK),” “Head of Wall,” SlipTrack Systems, as early as Jul. 2010, p. 26-29. Dietrich Metal Framing: A Worthington Industries Company, USA.

“Curtainwall Deflection Solutions,” Buy Super Stud Website, Aug. 2010, 2 pages. Super Stud Building Products, Inc., Edison.

“Curtain Wall Systems,” “Jam Stud Introduction,” “Design Considerations,” “Header/Sill Solutions,” “Connections,” “VertiClip: Vertical Deflection Connectors,” “DriftClip and DriftTrk: Vertical Deflection and Lateral Drift,” “Bridging,” “Design Software,” TSN The Steel Network Product Catalog, May 2009, cover page, p. 1, 4, 18, 30-33, 35, 36, back cover. The Steel Network, Inc., USA.

\* cited by examiner

*Primary Examiner* — Susan Moon Lee

(74) *Attorney, Agent, or Firm* — Charles R. Cypher; James R. Cypher

(57) **CLAIM**

We claim the ornamental design for a flared joist and rafter connector, as shown and described.

**DESCRIPTION**

FIG. 1 is an upper perspective view of the flared joist and rafter connector showing my design.

FIG. 2 is a lower perspective view of the flared joist and rafter connector of FIG. 1.

FIG. 3 is a front elevation view of the flared joist and rafter connector of FIG. 1.

FIG. 4 is a rear elevation view of the flared joist and rafter connector of FIG. 1.

FIG. 5 is a top plan view of the flared joist and rafter connector of FIG. 1.

FIG. 6 is a bottom plan view of the flared joist and rafter connector of FIG. 1.

FIG. 7 is a right side elevation view of the flared joist and rafter connector of FIG. 1; and,

FIG. 8 is a left side elevation view of the flared joist and rafter connector of FIG. 1.

**1 Claim, 5 Drawing Sheets**

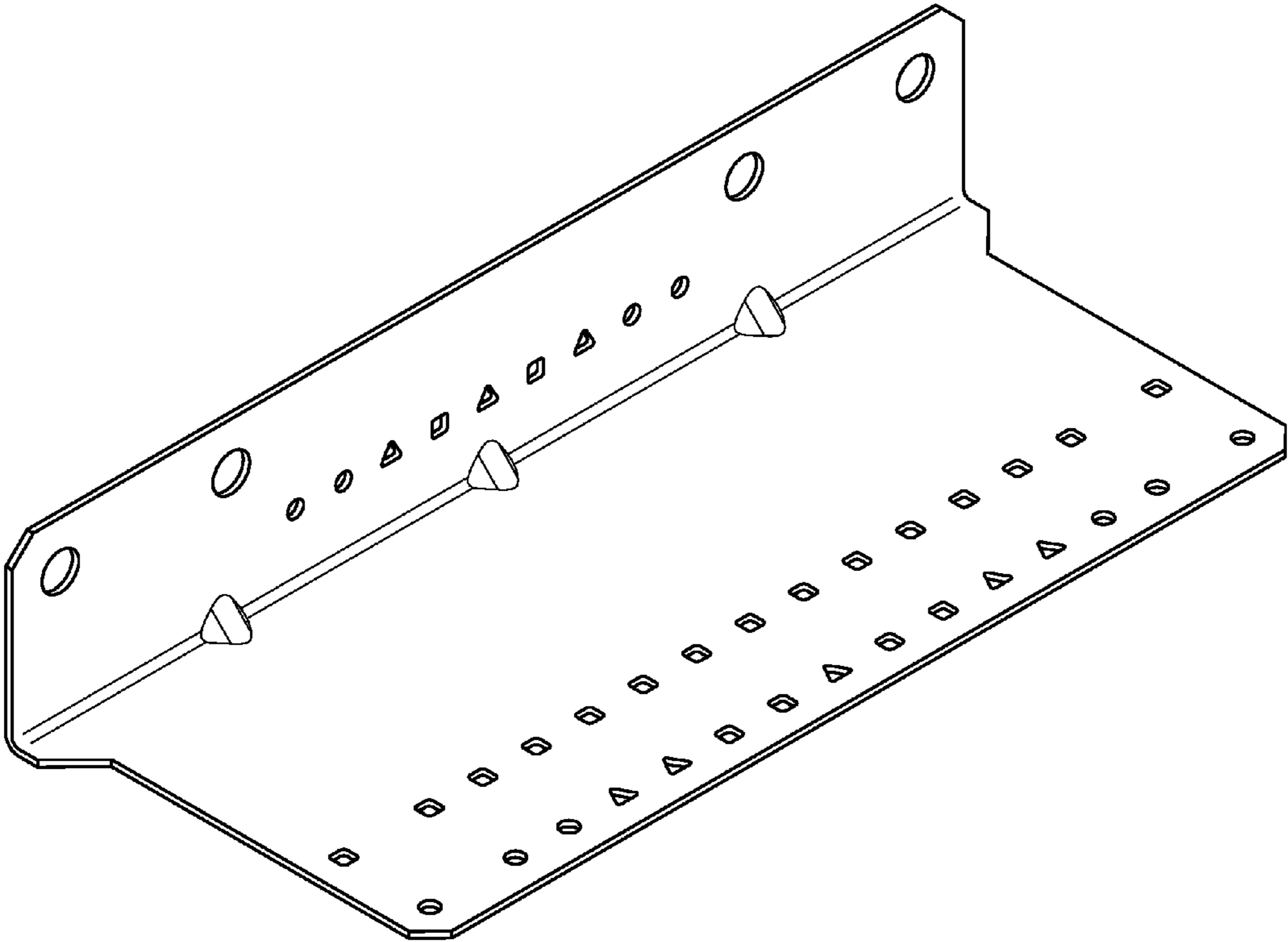


Fig. 1

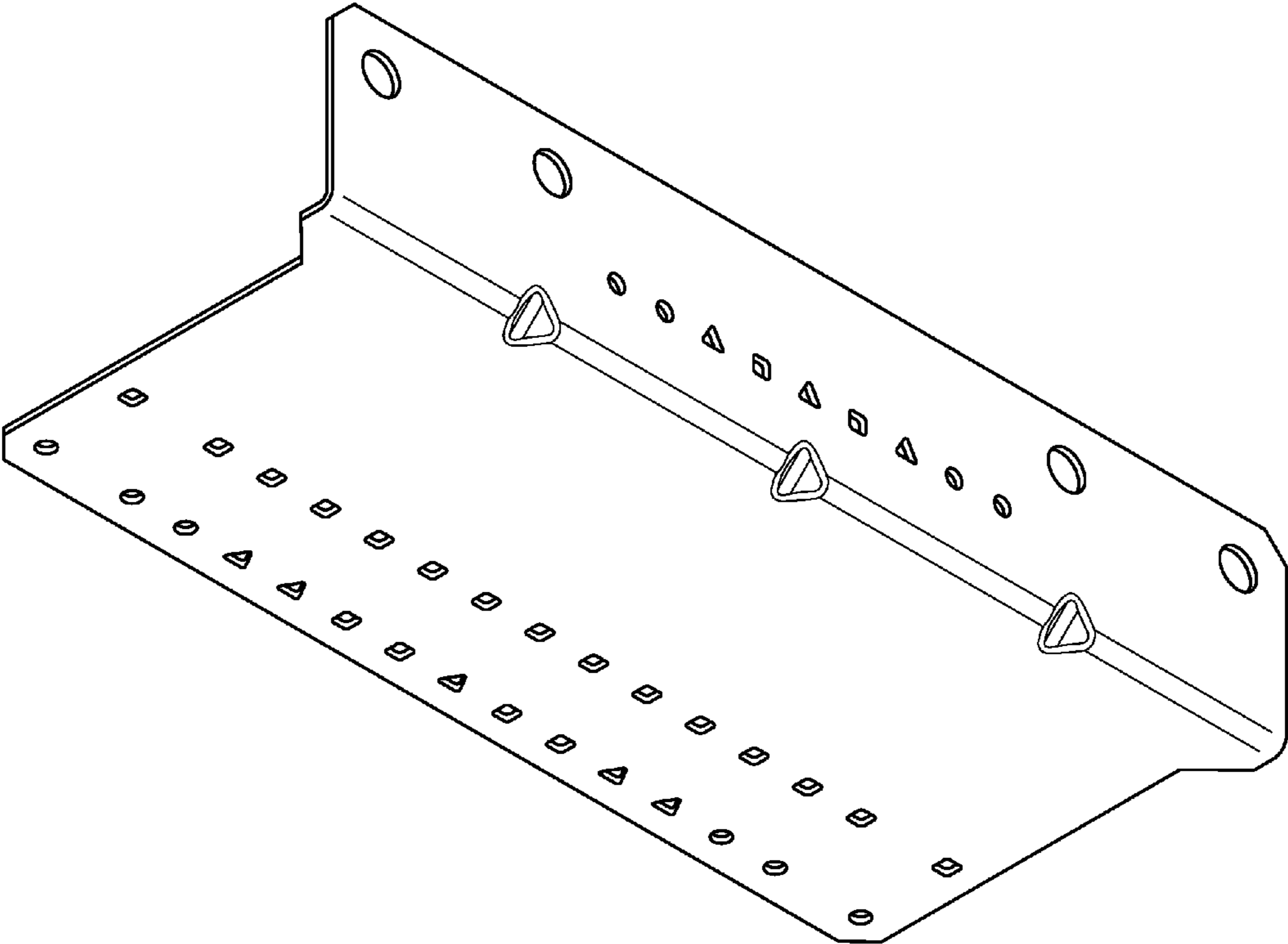


Fig. 2

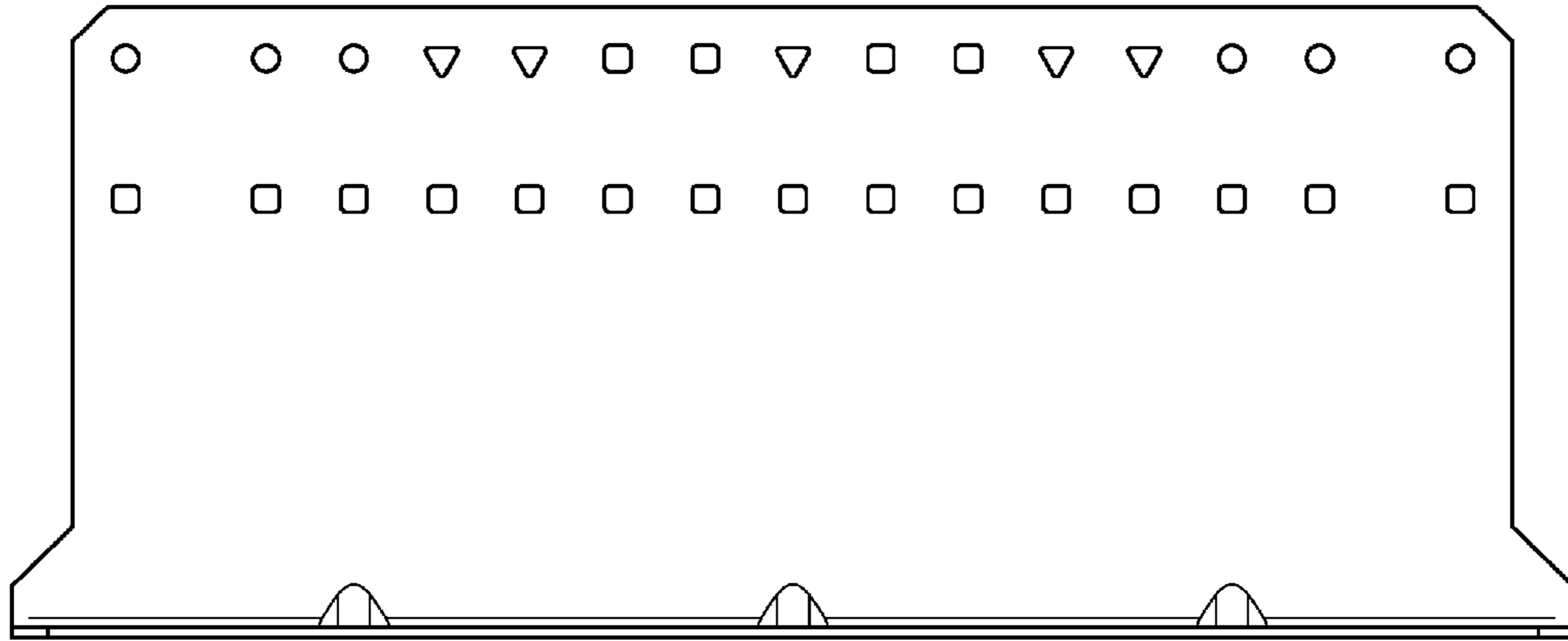


Fig. 3

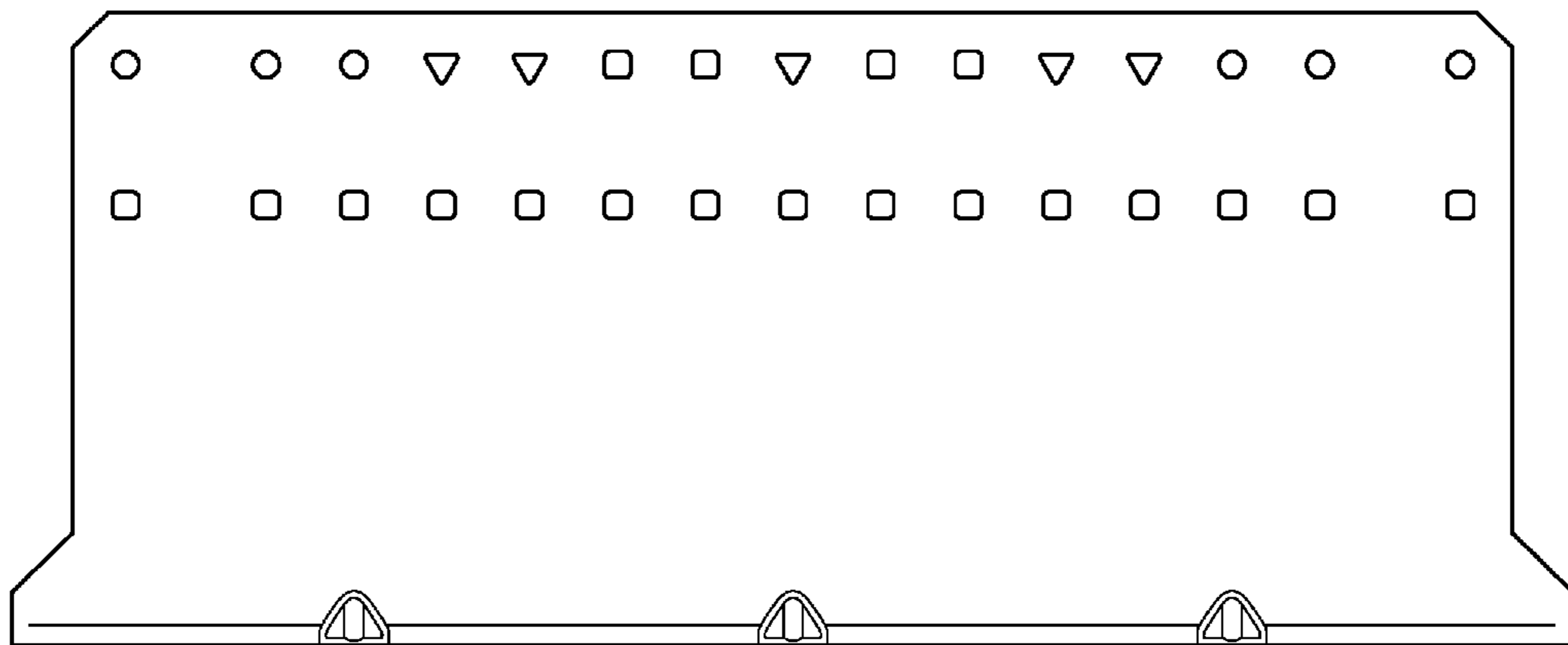


Fig. 4



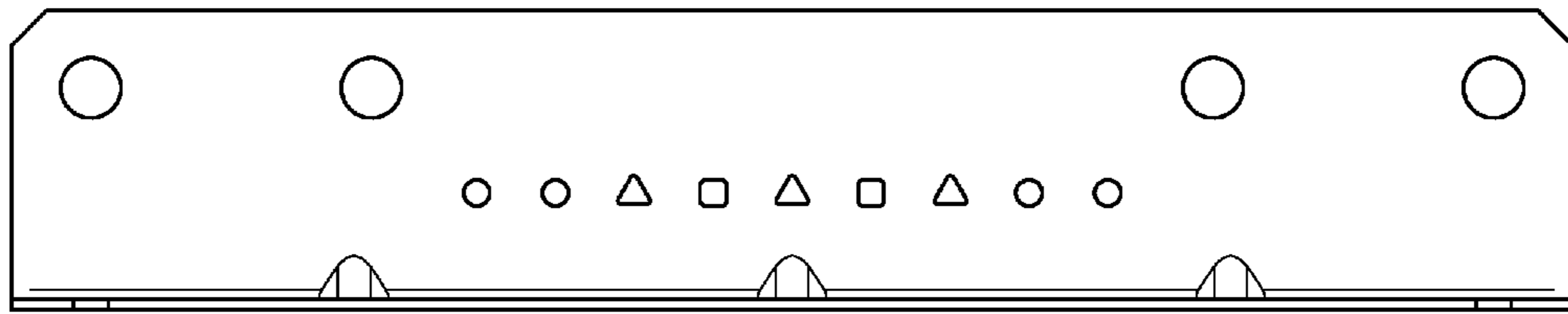


Fig. 5

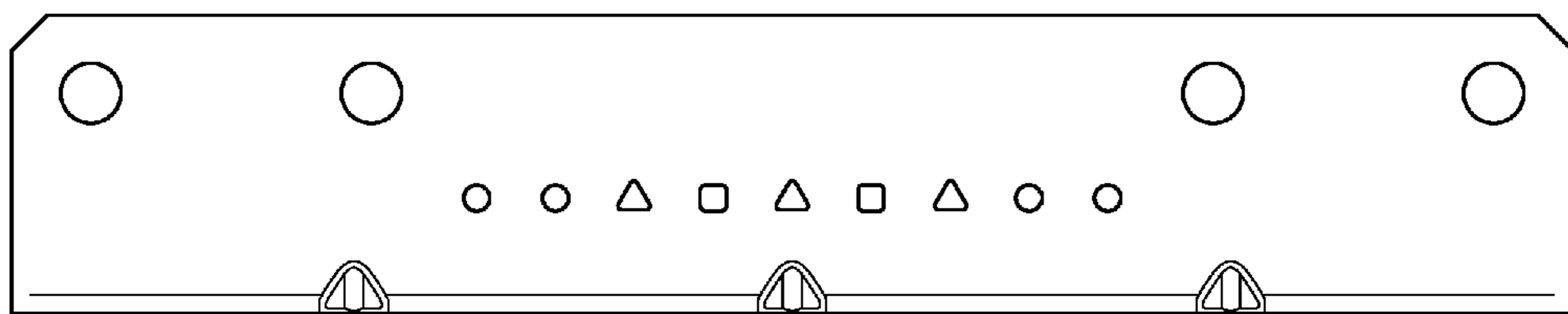


Fig. 6

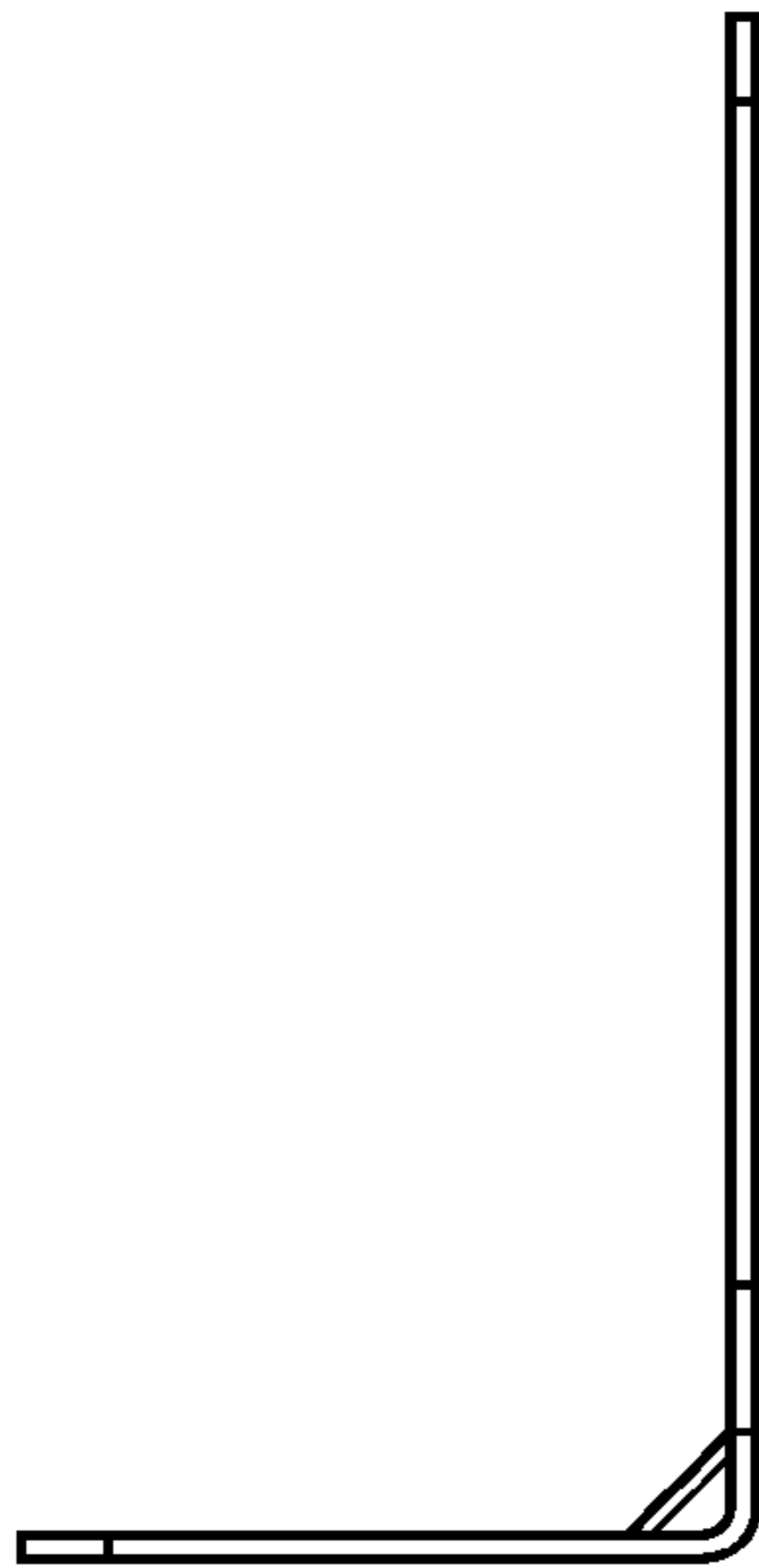


Fig. 7



Fig. 8