



US00D732703S

(12) **United States Design Patent**
Kreutzman

(10) **Patent No.:** **US D732,703 S**
(45) **Date of Patent:** **** Jun. 23, 2015**

(54) **QUAD FACED INTERLOCKING SUPPORT MEMBER**

(71) Applicant: **David Kreutzman**, Louisville, CO (US)

(72) Inventor: **David Kreutzman**, Louisville, CO (US)

(**) Term: **14 Years**

(21) Appl. No.: **29/438,394**

(22) Filed: **Nov. 29, 2012**

(51) **LOC (10) Cl.** **25-01**

(52) **U.S. Cl.**
USPC **D25/122; D8/354**

(58) **Field of Classification Search**
USPC D25/122, 126; D8/354, 381; 403/217,
403/173; 312/108, 265.2, 265.1, 265.5;
52/655.1, 239, 653.2

See application file for complete search history.

(56) **References Cited**

U.S. PATENT DOCUMENTS

D285,006	S	*	8/1986	Moulinie et al.	D25/199
D316,444	S	*	4/1991	Abbestam et al.	D25/122
5,379,566	A	*	1/1995	Schworer	52/632
D370,423	S	*	6/1996	Nagai et al.	D10/94
D373,832	S	*	9/1996	Nomura	D25/122
5,647,650	A	*	7/1997	Daugherty et al.	312/265.1
D395,525	S	*	6/1998	Rinot et al.	D25/122
6,185,887	B1	*	2/2001	Strassle	52/282.2
D550,484	S	*	9/2007	Bonatti et al.	D8/349

D554,911	S	*	11/2007	Chang	D25/122
D570,500	S	*	6/2008	Siemens	D25/122
D595,984	S	*	7/2009	Kollman et al.	D6/580
D617,174	S		6/2010	Schaefer et al.		
D631,324	S	*	1/2011	Azuma et al.	D8/354
D636,656	S		4/2011	Schaefer et al.		
D639,143	S		6/2011	Schaefer et al.		
D639,144	S		6/2011	Schaefer et al.		
8,661,765	B2	*	3/2014	Schaefer et al.	52/655.1

* cited by examiner

Primary Examiner — Mark Goodwin

(74) *Attorney, Agent, or Firm* — Russell T. Manning; Marsh Fischmann & Breyfogle LLP

(57) **CLAIM**

The ornamental design for quad faced interlocking support member, as shown and described.

DESCRIPTION

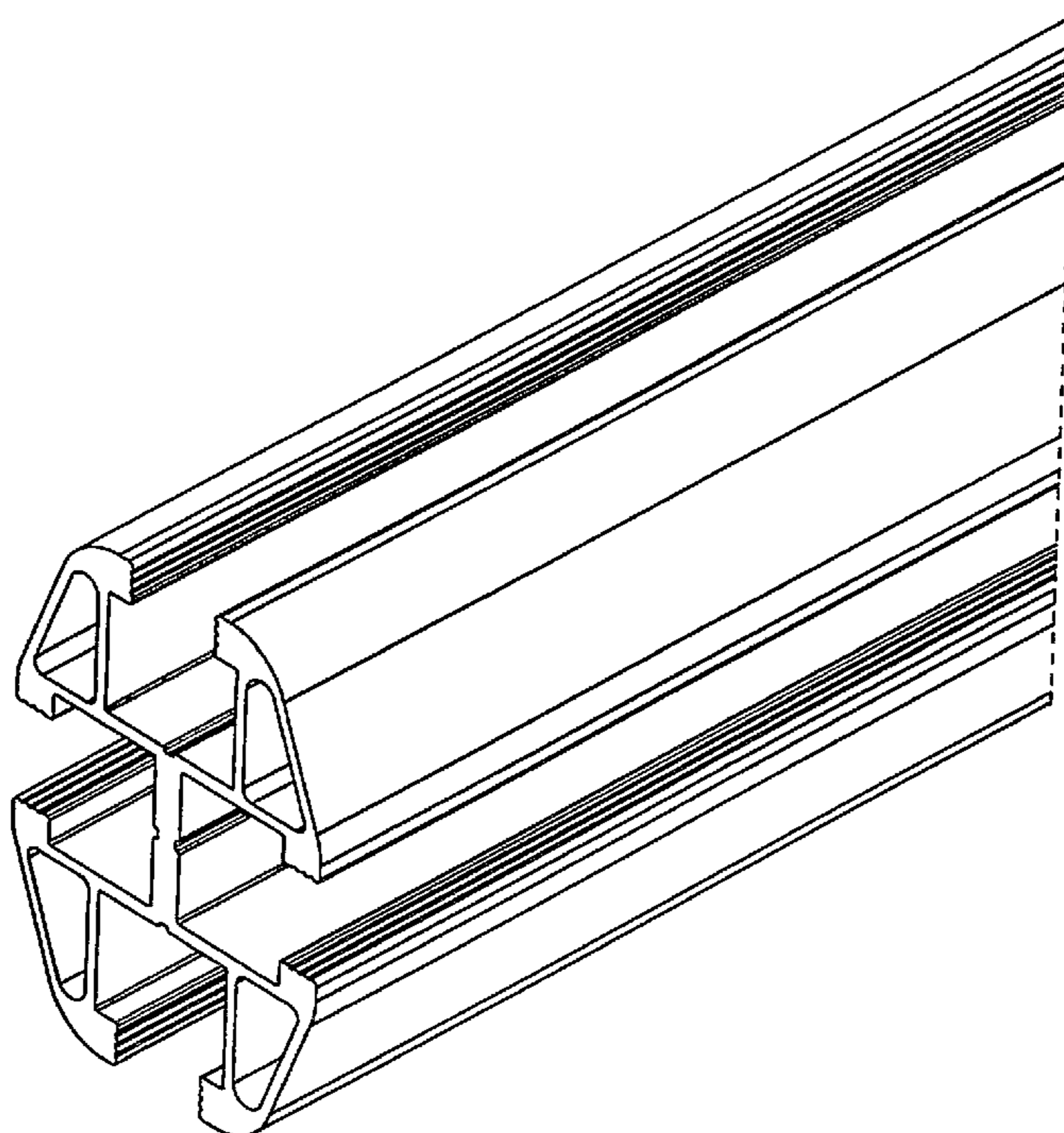
FIG. 1 is a front elevation view of a quad faced interlocking support member showing my new design, the rear elevation view being identical thereof.

FIG. 2 is a top plan view thereof, the bottom plan view being a mirror image thereof, the broken line shown being indicative of indeterminate length.

FIG. 3 is a right side elevation view thereof, the left side elevation view being a mirror image thereof, the broken line shown being indicative of indeterminate length; and,

FIG. 4 is a front perspective view of FIG. 1 thereof, the broken line shown being indicative of indeterminate length.

1 Claim, 4 Drawing Sheets



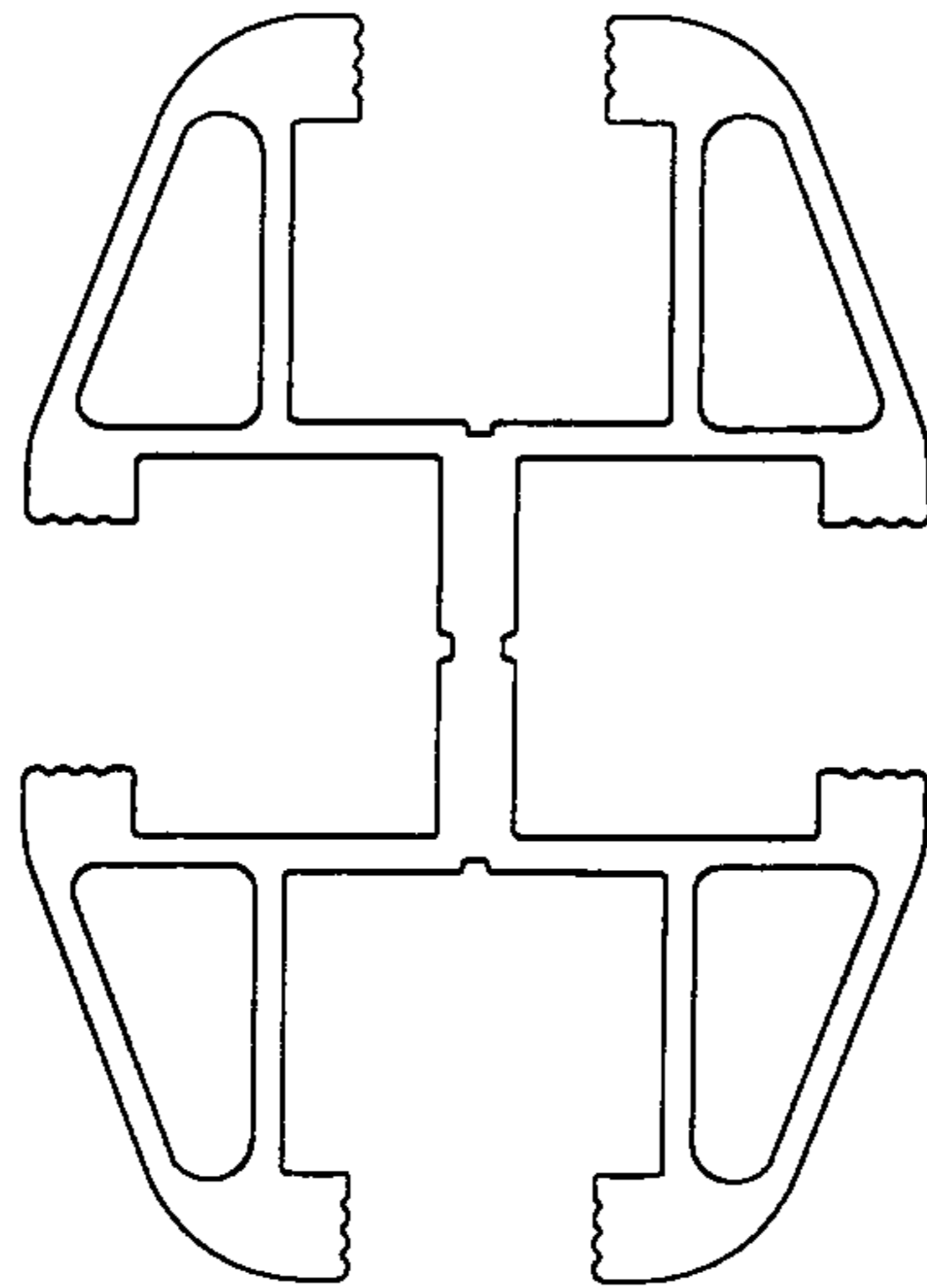


Figure 1

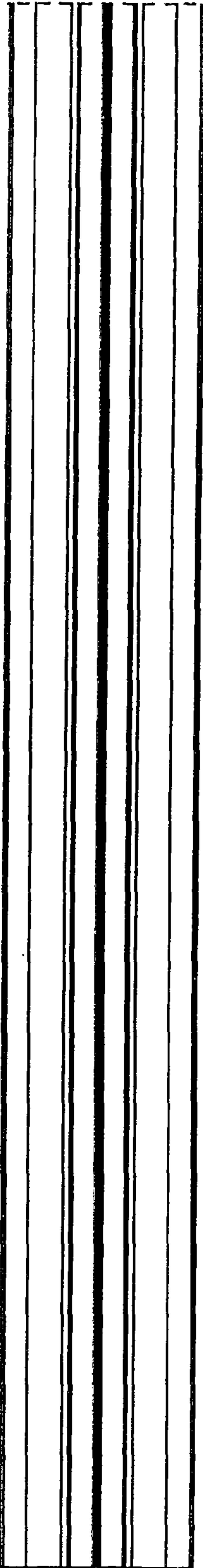


Figure 2

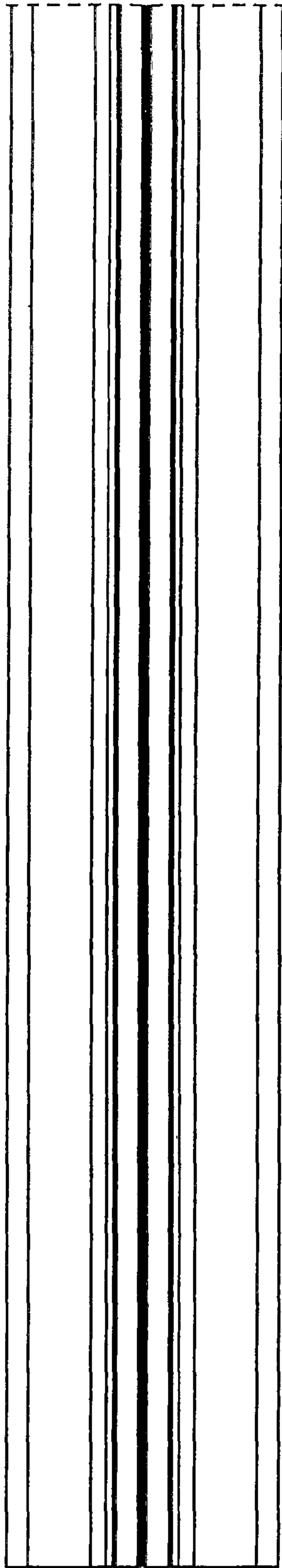


Figure 3

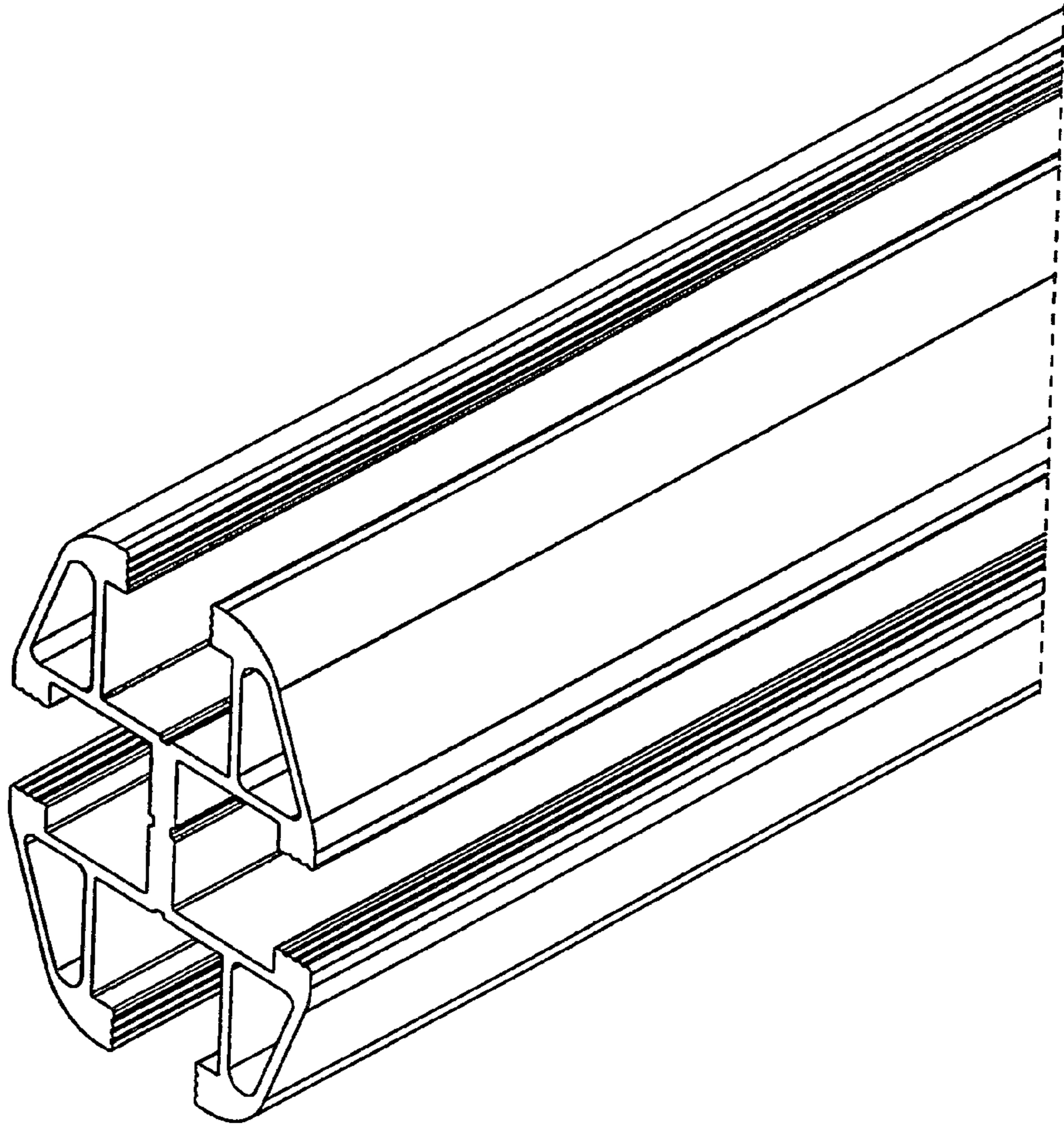


Figure 4