



US00D732702S

(12) **United States Design Patent**
Gallien

(10) **Patent No.:** **US D732,702 S**
(45) **Date of Patent:** **** Jun. 23, 2015**

(54) **SLATWALL EXTRUSION**
(71) Applicant: **James Milton Gallien**, Hidden Hills,
CA (US)
(72) Inventor: **James Milton Gallien**, Hidden Hills,
CA (US)
(**) Term: **14 Years**

D403,085 S * 12/1998 Current D25/123
5,899,344 A * 5/1999 Current et al. 211/94.01
D414,567 S * 9/1999 Burt et al. D25/123
6,134,846 A * 10/2000 Lamb 52/36.5
6,837,384 B2 * 1/2005 Secondino 211/87.01
6,871,614 B2 * 3/2005 Goldwitz et al. 119/436
D507,060 S * 7/2005 Fischer D25/122
D507,355 S * 7/2005 Fischer D25/122
7,198,159 B2 * 4/2007 Fischer 211/94.01
D652,532 S * 1/2012 Letham D25/123

* cited by examiner

(21) Appl. No.: **29/482,243**

Primary Examiner — Prabhakar Deshmukh

(22) Filed: **Feb. 17, 2014**

(51) **LOC (10) Cl.** **25-01**

(57) **CLAIM**

(52) **U.S. Cl.**
USPC **D25/119; D25/123**

The ornamental design for a slatwall extrusion, as shown and described.

(58) **Field of Classification Search**
USPC D25/119, 125, 138, 58, 123; 52/783.14,
52/783.17, 782.1, 783.1; 211/94.01,
211/87.01, 162, 186, 189; 108/59; D6/332,
D6/512, 513
CPC E04B 2/74; E04C 1/10; E04C 2/30;
A47B 43/00; A47F 5/00
See application file for complete search history.

DESCRIPTION

(56) **References Cited**

FIG. 1 is a front perspective view of a slatwall extrusion showing my new design;
FIG. 2 is a front elevation view thereof;
FIG. 3 is a rear elevation view thereof;
FIG. 4 is a right side view thereof, which is a mirror image of the left side view;
FIG. 5 is a top plan view thereof; and,
FIG. 6 is a bottom plan view thereof.
The claimed design is cut on one side to indicate indefinite length.

U.S. PATENT DOCUMENTS

5,791,093 A * 8/1998 Diamond 52/36.5
D400,270 S * 10/1998 Current D25/123

1 Claim, 2 Drawing Sheets

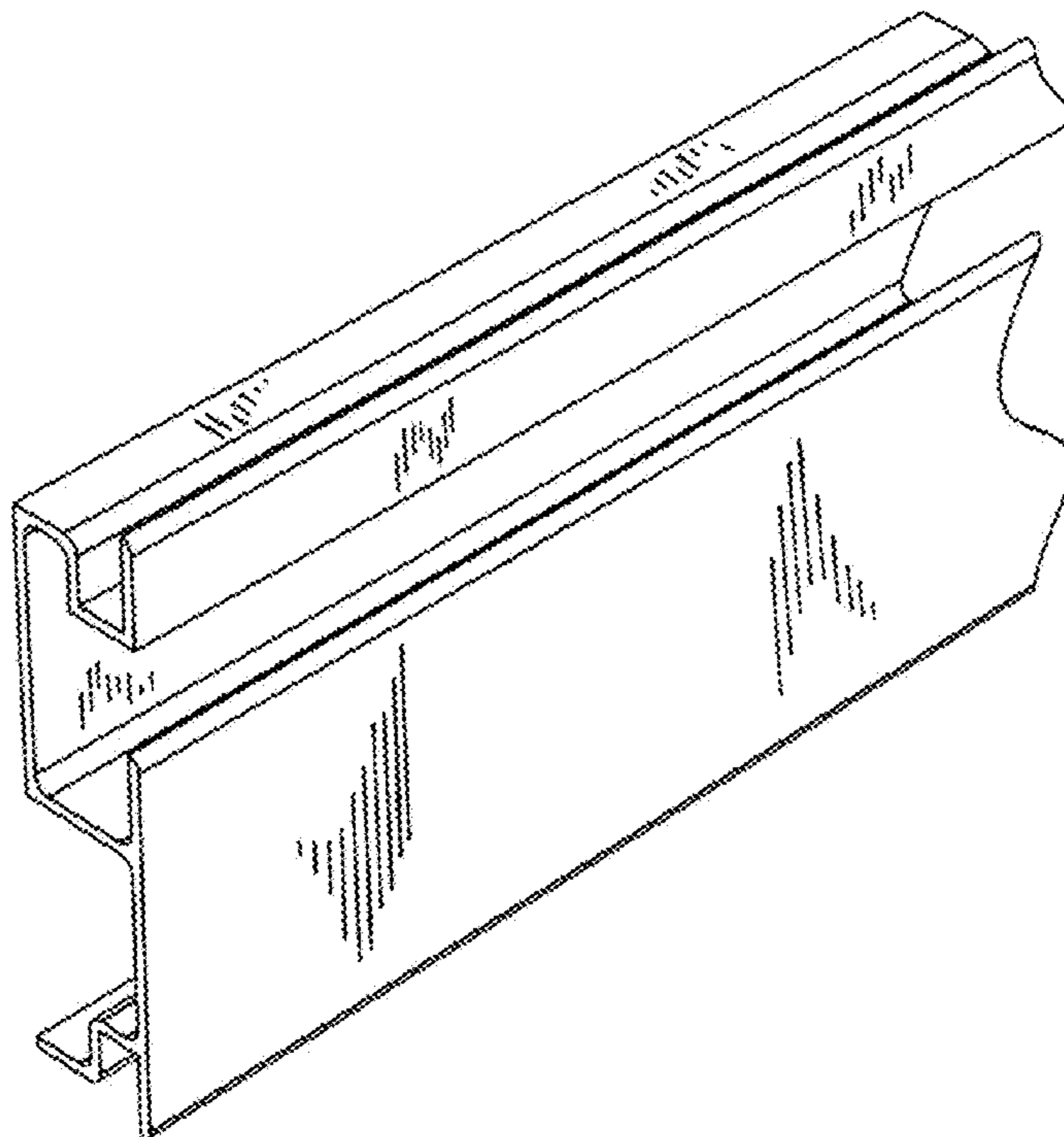


Fig. 1

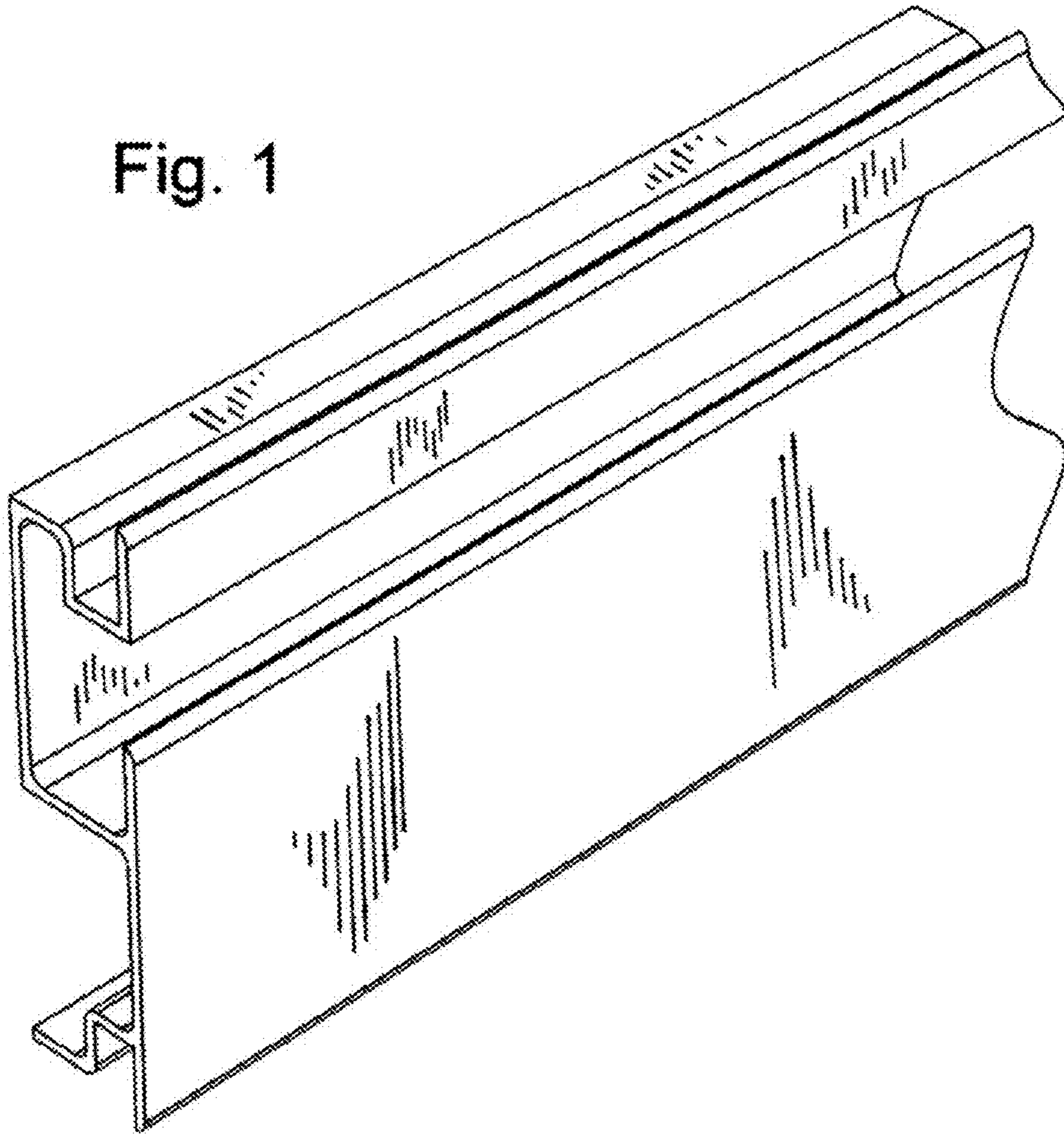


Fig. 5

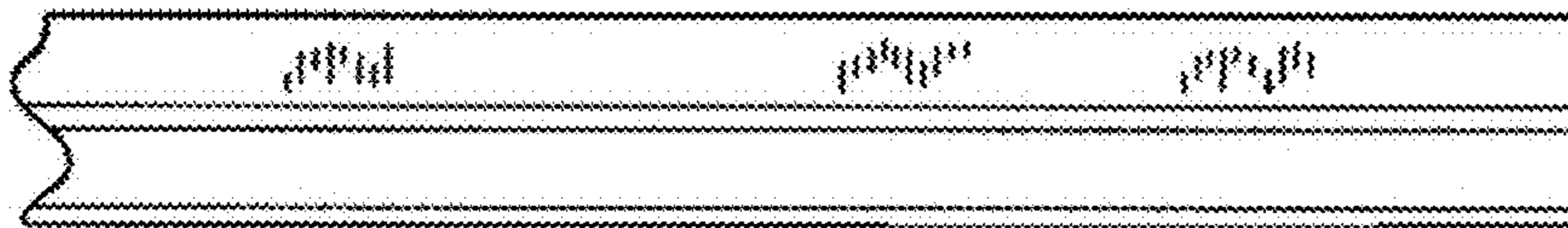


Fig. 6

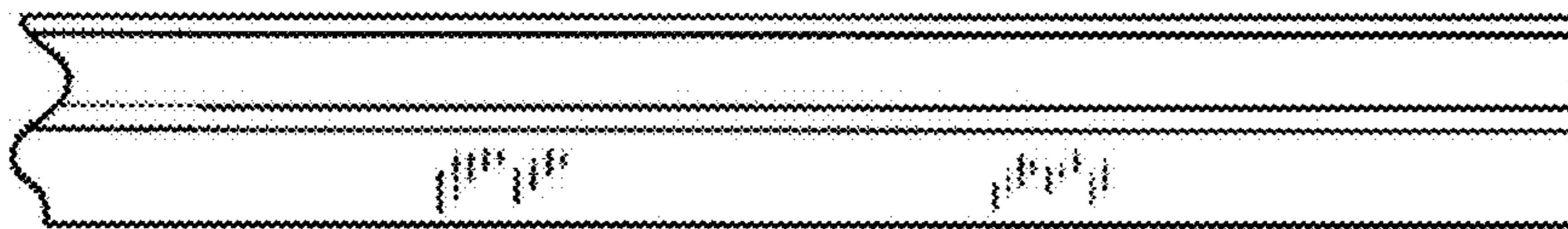


Fig. 2

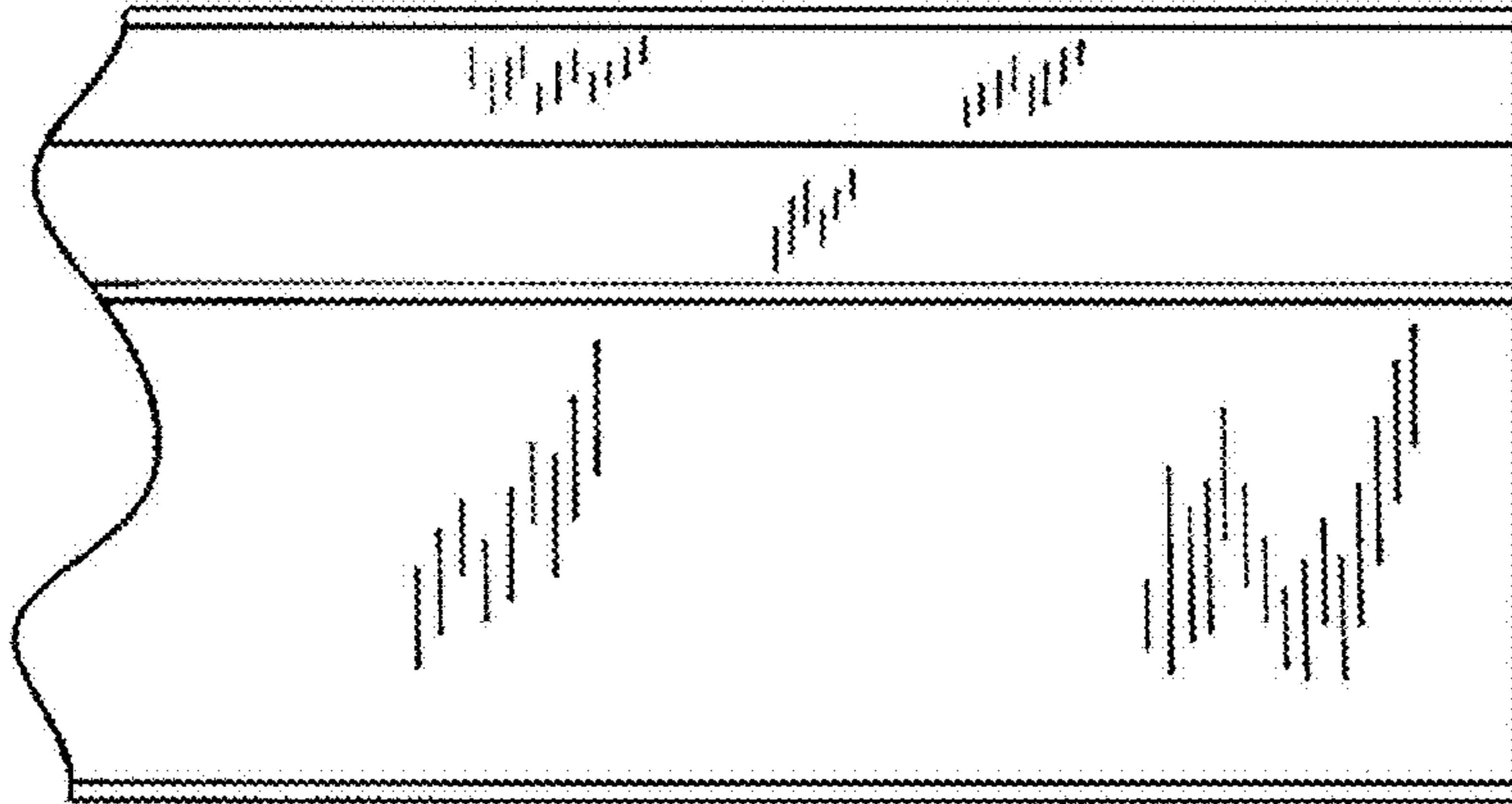


Fig. 4

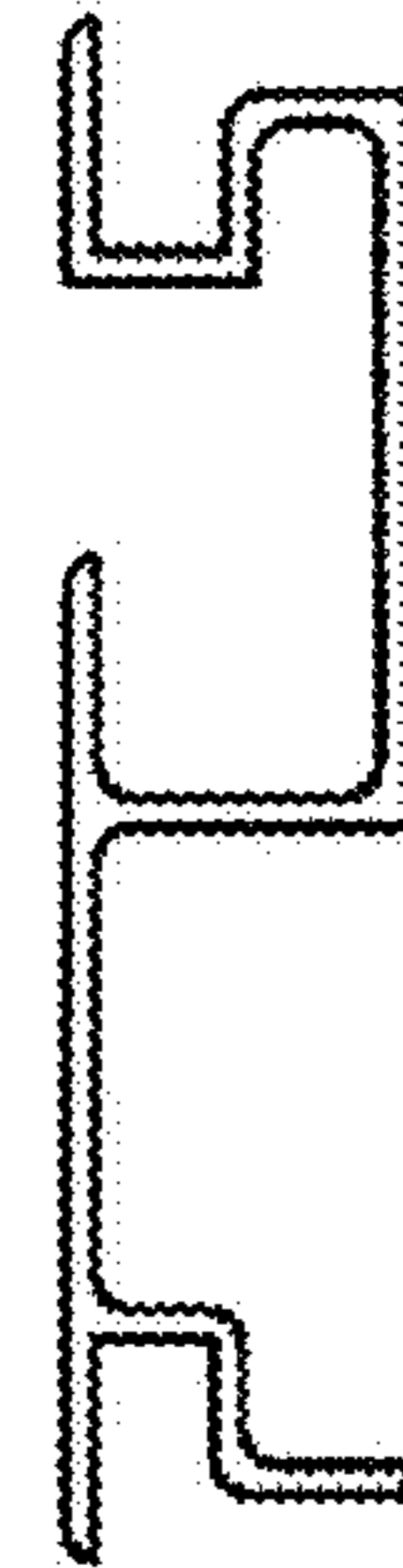


Fig. 3

