



US00D732699S

(12) **United States Design Patent**
Von Handorf

(10) **Patent No.:** **US D732,699 S**

(45) **Date of Patent:** **** Jun. 23, 2015**

(54) **MODULAR PRECAST CONCRETE UNIT FOR
A STORM WATER DETENTION OR
RETENTION SYSTEM**

(71) Applicant: **Structure Sight LLC**, Waynesville, OH
(US)

(72) Inventor: **Jeffrey J. Von Handorf**, Bellbrook, OH
(US)

(73) Assignee: **Structure Sight LLC**, Waynesville, OH
(US)

(**) Term: **14 Years**

(21) Appl. No.: **29/455,308**

(22) Filed: **May 20, 2013**

(51) **LOC (10) Cl.** **25-01**

(52) **U.S. Cl.**
USPC **D25/113**

(58) **Field of Classification Search**
USPC D25/113-118, 164, 102, 138, 152-162,
D25/199; D21/484-491, 499-504; 405/16,
405/284, 286, 17, 262; 52/503-505, 574,
52/575, 596-612, 592.6, 567, 587.1, 431;
404/27-42; D8/1

See application file for complete search history.

(56) **References Cited**

U.S. PATENT DOCUMENTS

3,282,054 A * 11/1966 Saginor 405/262

3,464,211 A *	9/1969	Andresen	405/262
5,221,157 A *	6/1993	Prestedge	405/16
5,820,305 A *	10/1998	Taylor et al.	405/286
5,860,262 A *	1/1999	Johnson	52/426
6,427,417 B1 *	8/2002	Sagy	52/741.13
D617,867 S *	6/2010	May	D23/206
D636,897 S *	4/2011	Bott	D25/113
D667,141 S *	9/2012	Bott	D25/113
2002/0001509 A1 *	1/2002	Hong	405/286
2008/0148659 A1 *	6/2008	Schiffmann et al.	52/272

* cited by examiner

Primary Examiner — Anhdao Doan

(74) *Attorney, Agent, or Firm* — Jacox, Meckstroth &
Jenkins

(57) **CLAIM**

The ornamental design for a modular precast concrete unit for a storm water detention or retention system, as shown and described.

DESCRIPTION

FIG. 1 is a perspective view of a modular precast concrete unit for a storm water detention or retention system showing my new design;
FIG. 2 is a side view thereof, the opposite and each side view being the same;
FIG. 3 is a top view thereof; and,
FIG. 4 is a bottom view thereof.

1 Claim, 1 Drawing Sheet

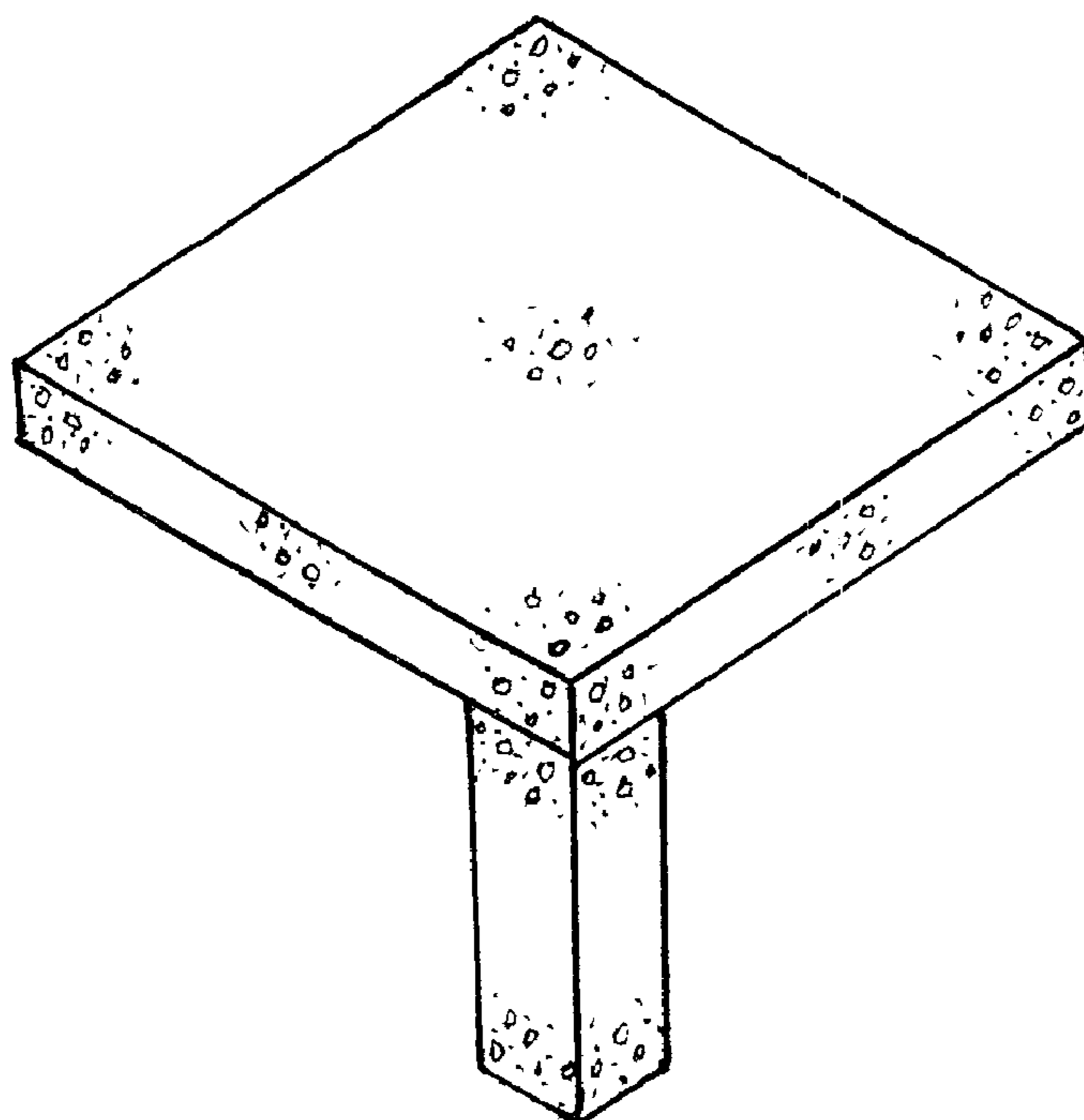


FIG. 1

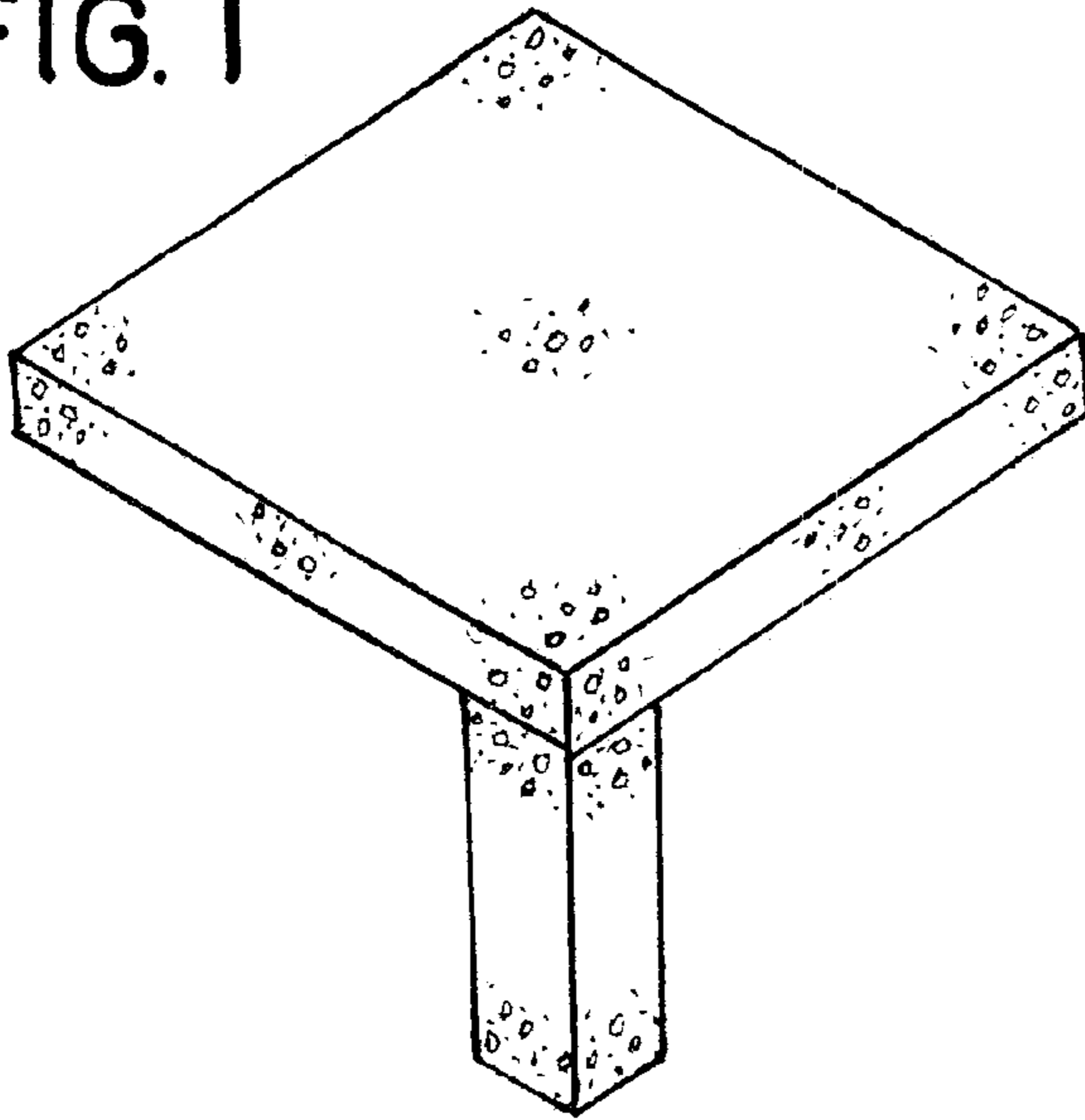


FIG. 2

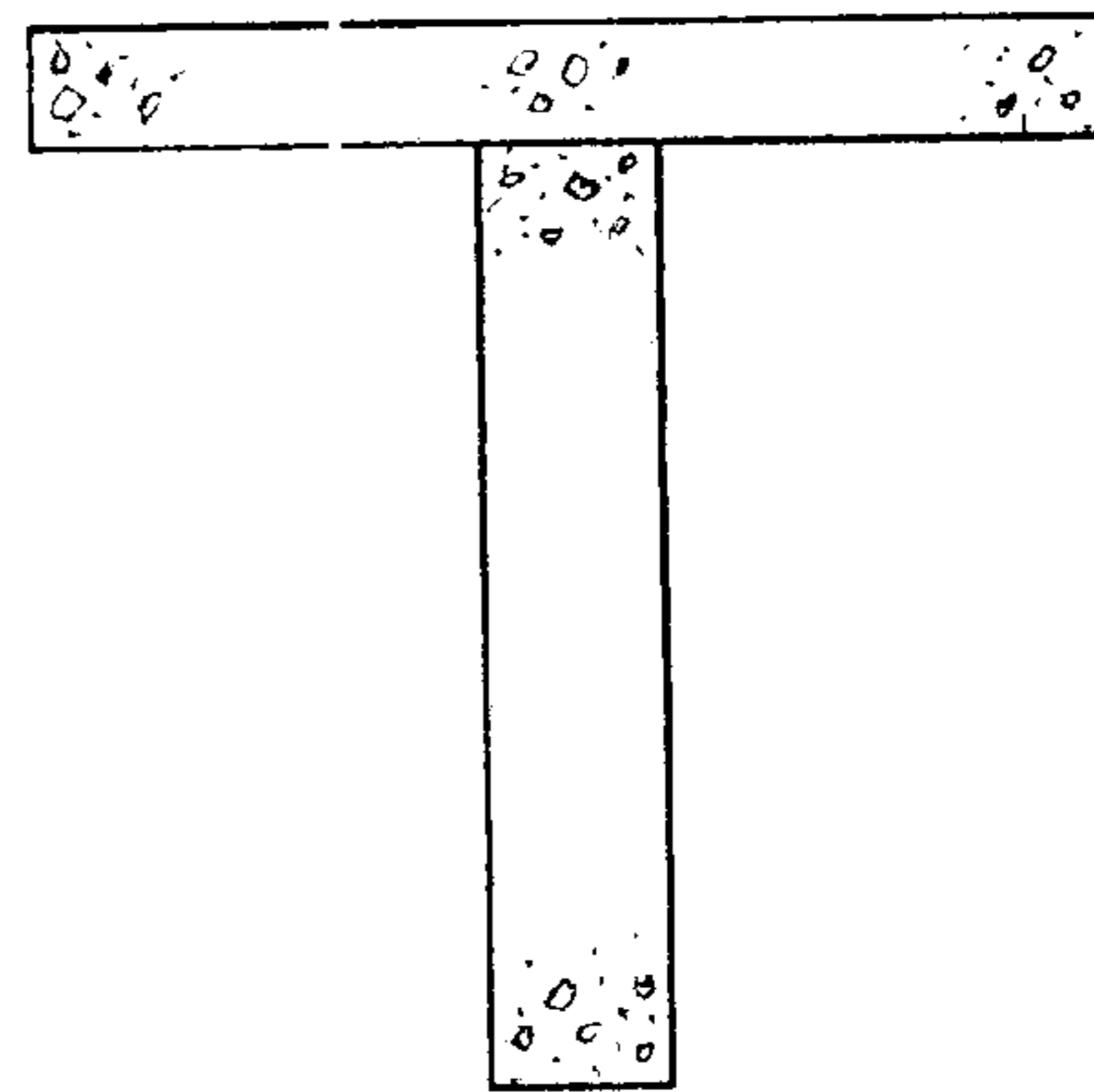


FIG. 3

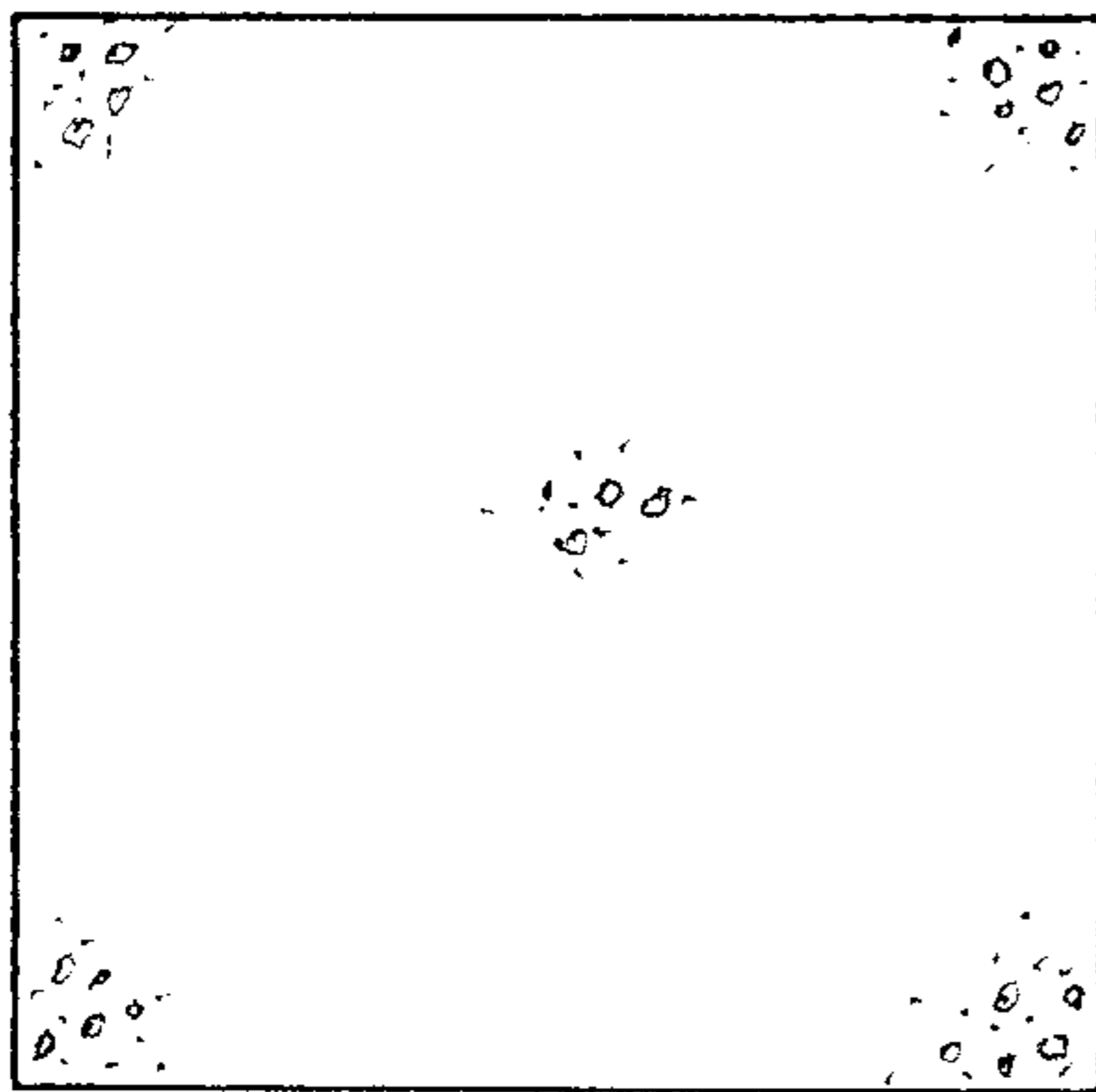


FIG. 4

