



US00D732691S

(12) **United States Design Patent**
Hallfors

(10) **Patent No.:** **US D732,691 S**
(45) **Date of Patent:** **** Jun. 23, 2015**

(54) **TELEPHONE BOOTH**

(71) Applicant: **Framery Oy**, Tampere (FI)
(72) Inventor: **Samu Hallfors**, Tampere (FI)
(73) Assignee: **FRAMERY OY**, Tampere (FI)
(**) Term: **14 Years**

(21) Appl. No.: **29/480,580**

(22) Filed: **Jan. 28, 2014**

(51) **LOC (10) Cl.** **25-03**

(52) **U.S. Cl.**
USPC **D25/16; D6/640**

(58) **Field of Classification Search**
USPC D25/1, 3-4, 16, 33; D6/640; D16/215
CPC ... E04B 1/34321; E04B 1/12; E04B 1/34336;
E04H 1/125

See application file for complete search history.

(56) **References Cited**

U.S. PATENT DOCUMENTS

D638,551 S * 5/2011 Gann D25/16
D664,667 S * 7/2012 Krymov et al. D25/16

* cited by examiner

Primary Examiner — Robert Delehanty
(74) *Attorney, Agent, or Firm* — Jacobson Holman, PLLC.

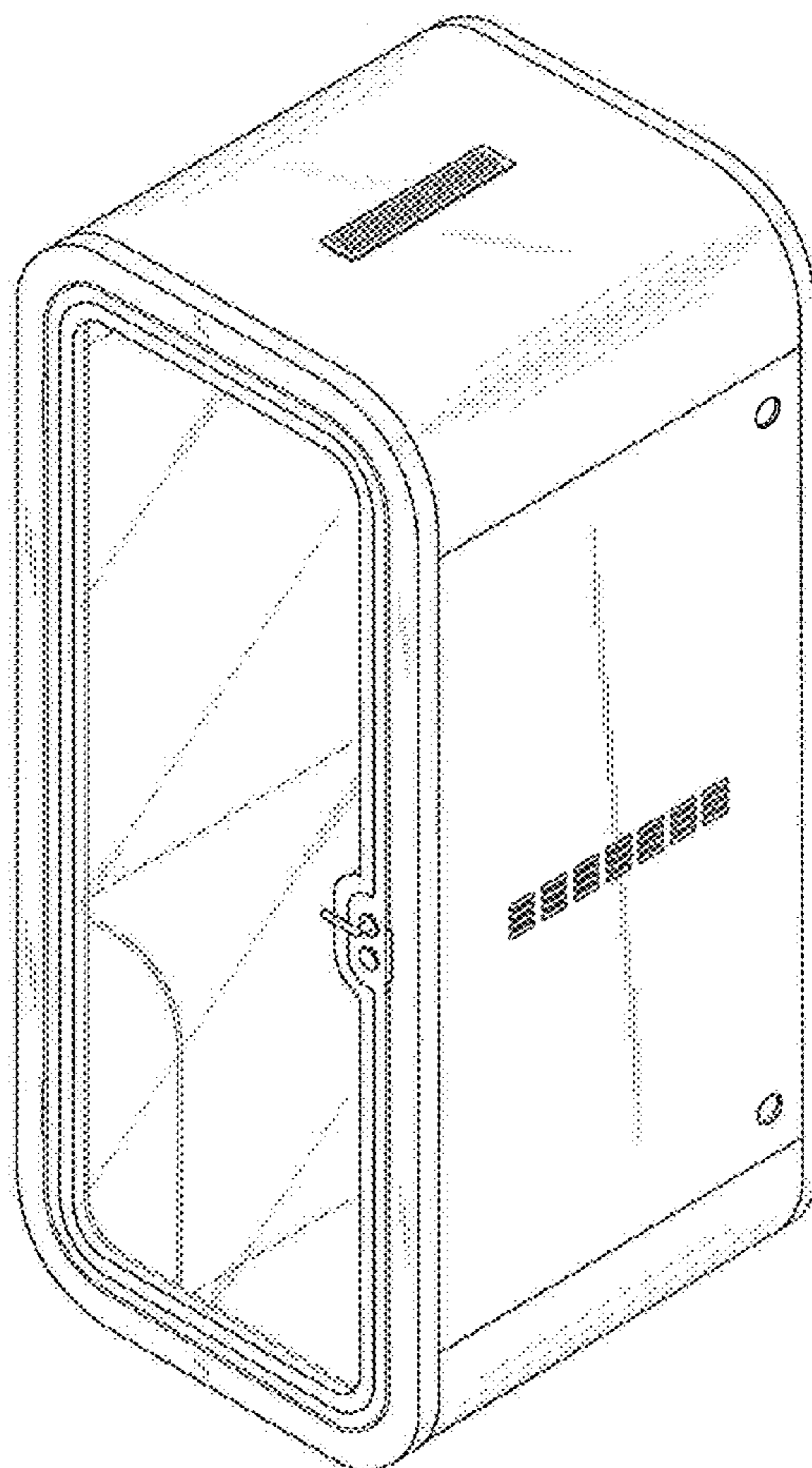
(57) **CLAIM**

I claim the ornamental design for the telephone booth, as shown and described.

DESCRIPTION

FIG. 1 is a front perspective view of the telephone booth embodying my design;
FIG. 2 is a front elevational view of FIG. 1;
FIG. 3 is a back elevational view of FIG. 1;
FIG. 4 is a top plan view of FIG. 1;
FIG. 5 is a bottom view of FIG. 1;
FIG. 6 is a left side elevational view of FIG. 1; and,
FIG. 7 is a right side elevational view of FIG. 1.

1 Claim, 6 Drawing Sheets



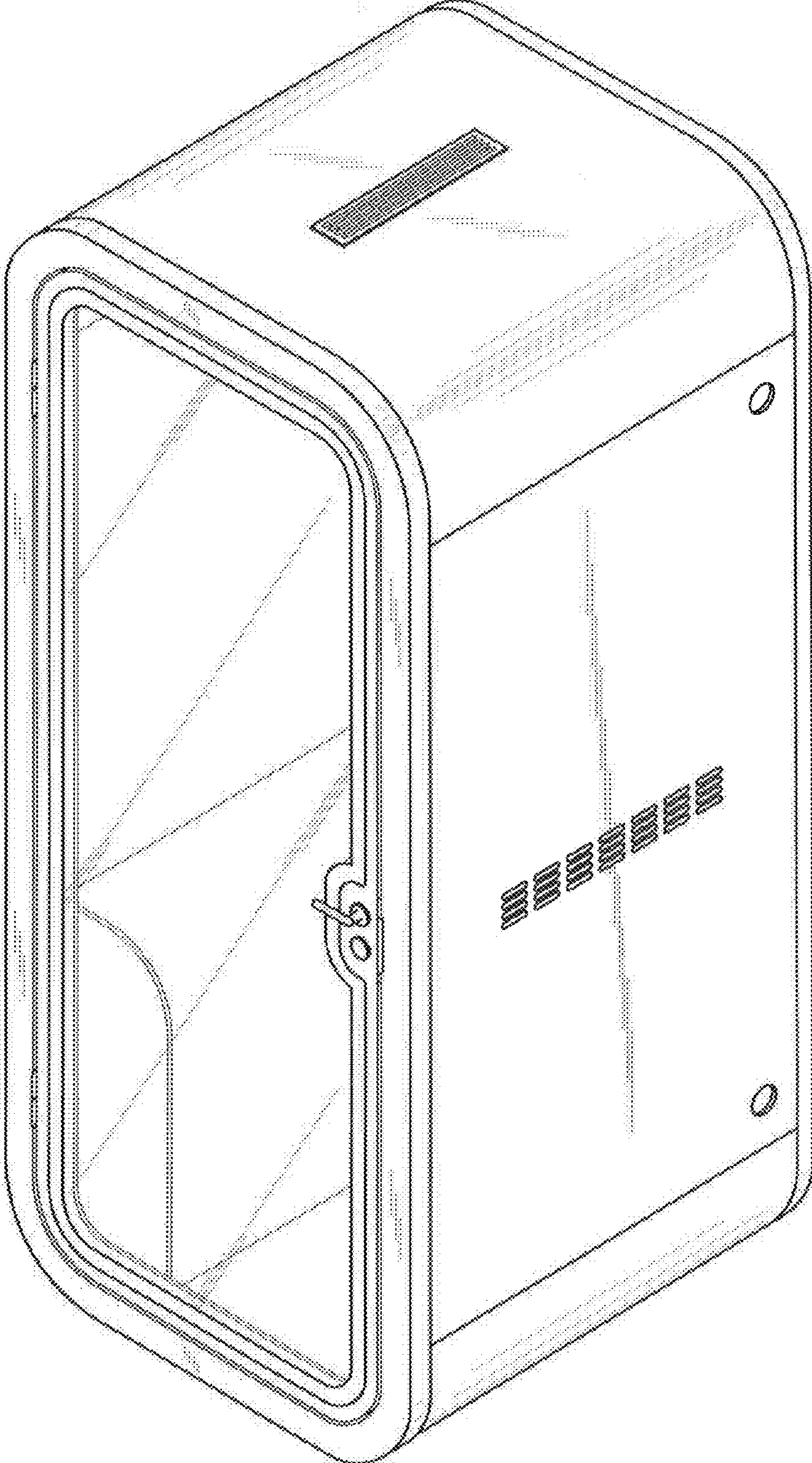


FIG. 1

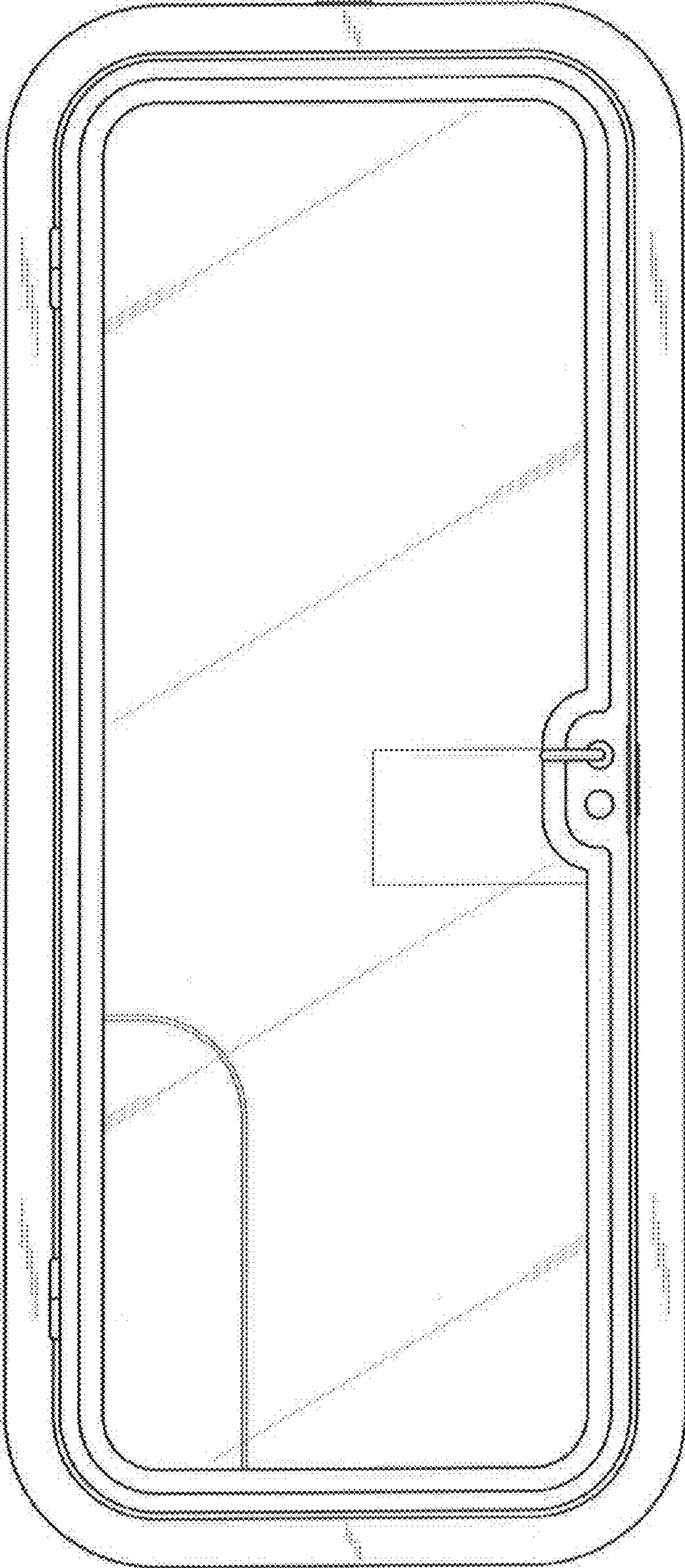


FIG. 2

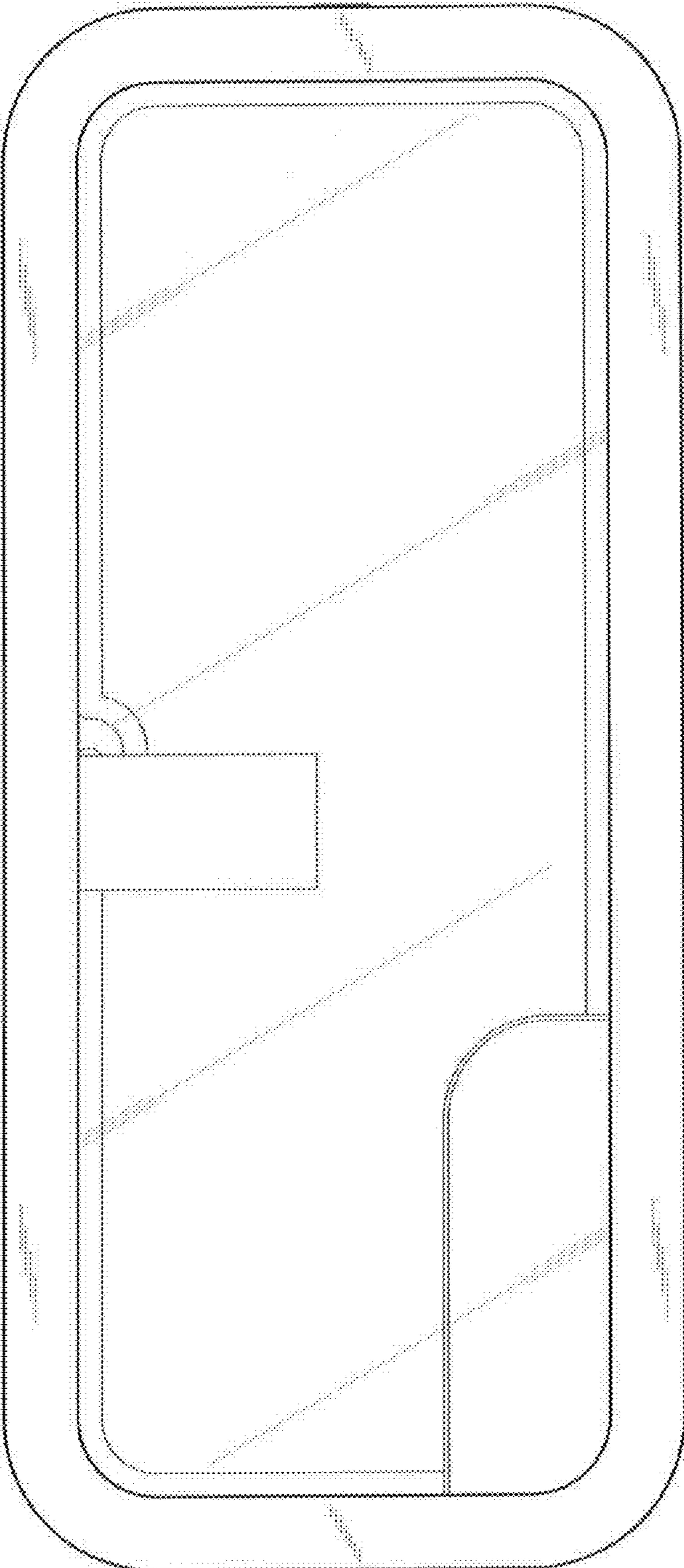


FIG. 3

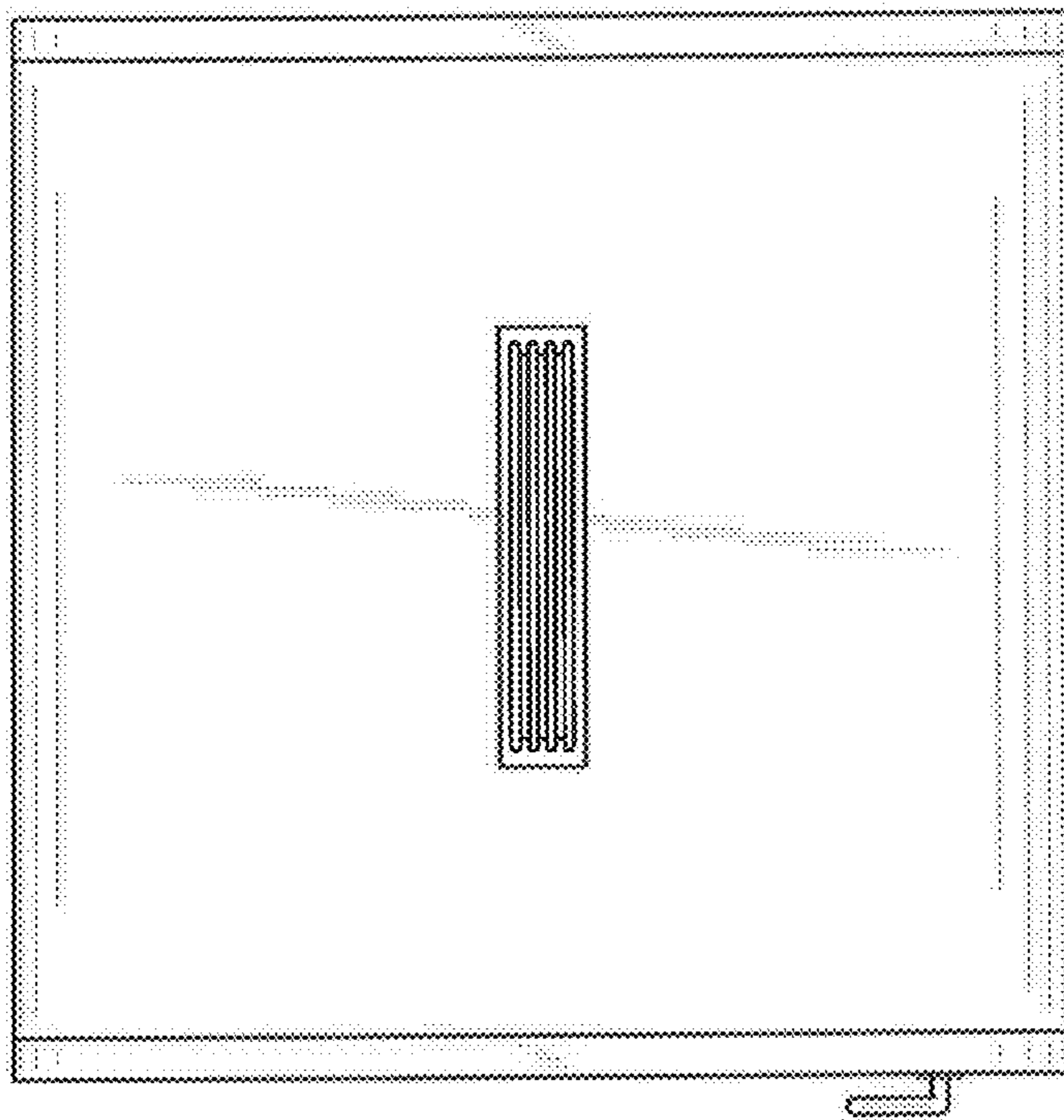


FIG. 4

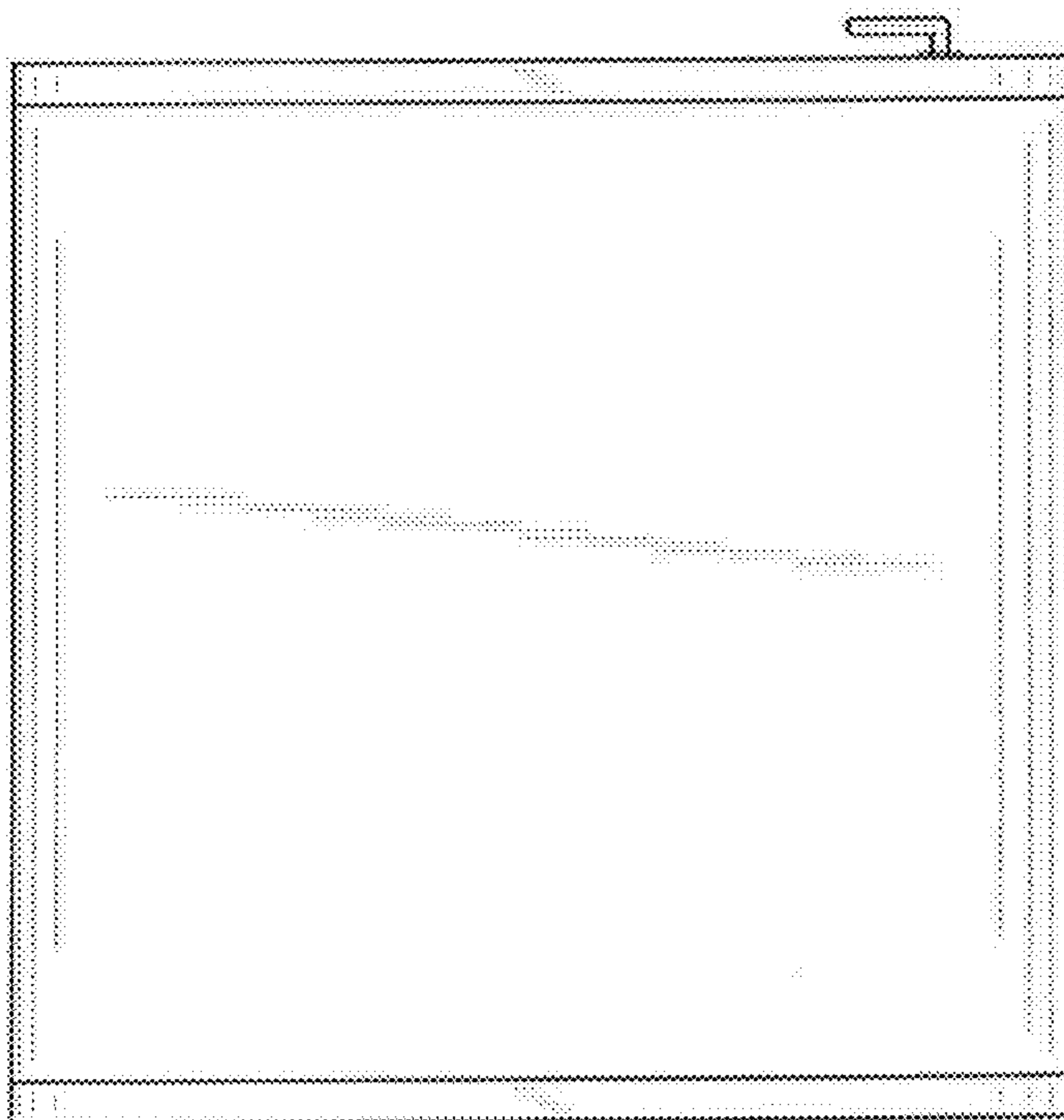


FIG. 5

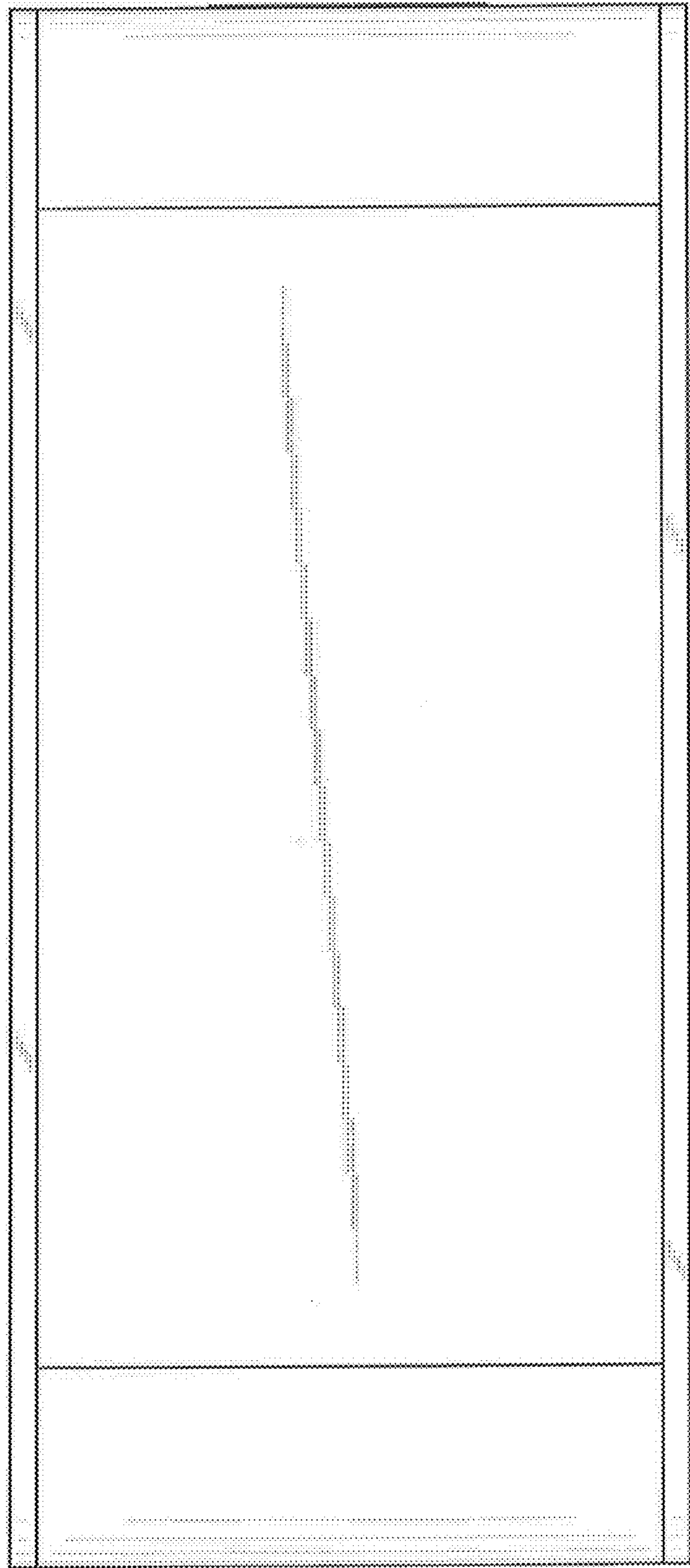


FIG. 6

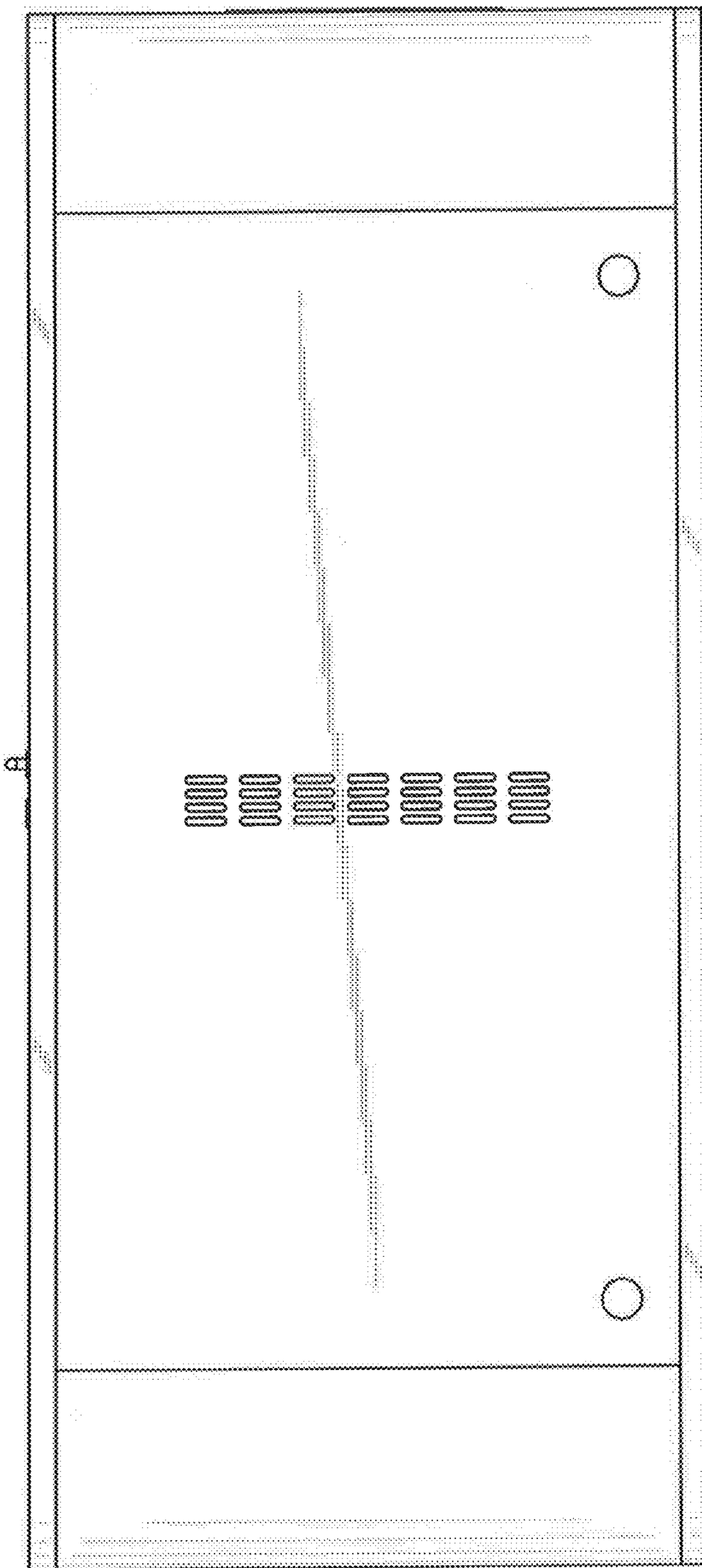


FIG. 7