



US00D732689S

(12) **United States Design Patent**
Carter

(10) **Patent No.:** **US D732,689 S**

(45) **Date of Patent:** **** Jun. 23, 2015**

(54) **SURGE BIN**

(71) Applicant: **Schenck Process Australia Pty Limited**, Thornton, New South Wales (AU)

(72) Inventor: **Karl Carter**, Thornton (AU)

(73) Assignee: **SCHENCK PROCESS AUSTRALIA PTY LIMITED**, Thornton (AU)

(**) Term: **14 Years**

(21) Appl. No.: **29/489,558**

(22) Filed: **Apr. 30, 2014**

(30) **Foreign Application Priority Data**

Oct. 31, 2013 (AU) 15618/2013

(51) **LOC (10) Cl.** **25-03**

(52) **U.S. Cl.**
USPC **D25/14**

(58) **Field of Classification Search**
USPC D25/1-35; 52/79.1, 79.4; 414/293;
222/503
See application file for complete search history.

(56) **References Cited**

U.S. PATENT DOCUMENTS

778,301	A *	12/1904	Burdick	366/184
2,075,931	A *	4/1937	Eades	141/232
2,146,409	A *	2/1939	Straub	414/293
3,146,924	A *	9/1964	Cozadd et al.	222/503

3,438,520	A *	4/1969	Williams	414/808
3,664,702	A *	5/1972	Hyde	294/68.21
3,712,002	A *	1/1973	Hillinger et al.	52/63
3,777,909	A *	12/1973	Rheinfrank, Jr.	414/293
3,945,511	A *	3/1976	Delorme	414/293
4,499,669	A *	2/1985	Haeck	34/102
4,548,342	A *	10/1985	Fisher	222/145.8
4,958,741	A *	9/1990	Johanson	222/460
6,051,070	A *	4/2000	Sunter	118/678
6,102,562	A *	8/2000	Bengtson	366/341
6,688,496	B1 *	2/2004	Ahlmer et al.	222/153.09
6,705,171	B1 *	3/2004	Toerner	73/861.354
2008/0193889	A1 *	8/2008	Berquet	432/3
2014/0166438	A1 *	6/2014	Mikulec et al.	198/524

* cited by examiner

Primary Examiner — Garth Rademaker

Assistant Examiner — Samantha Q Lawrence

(74) *Attorney, Agent, or Firm* — Maschoff Brennan

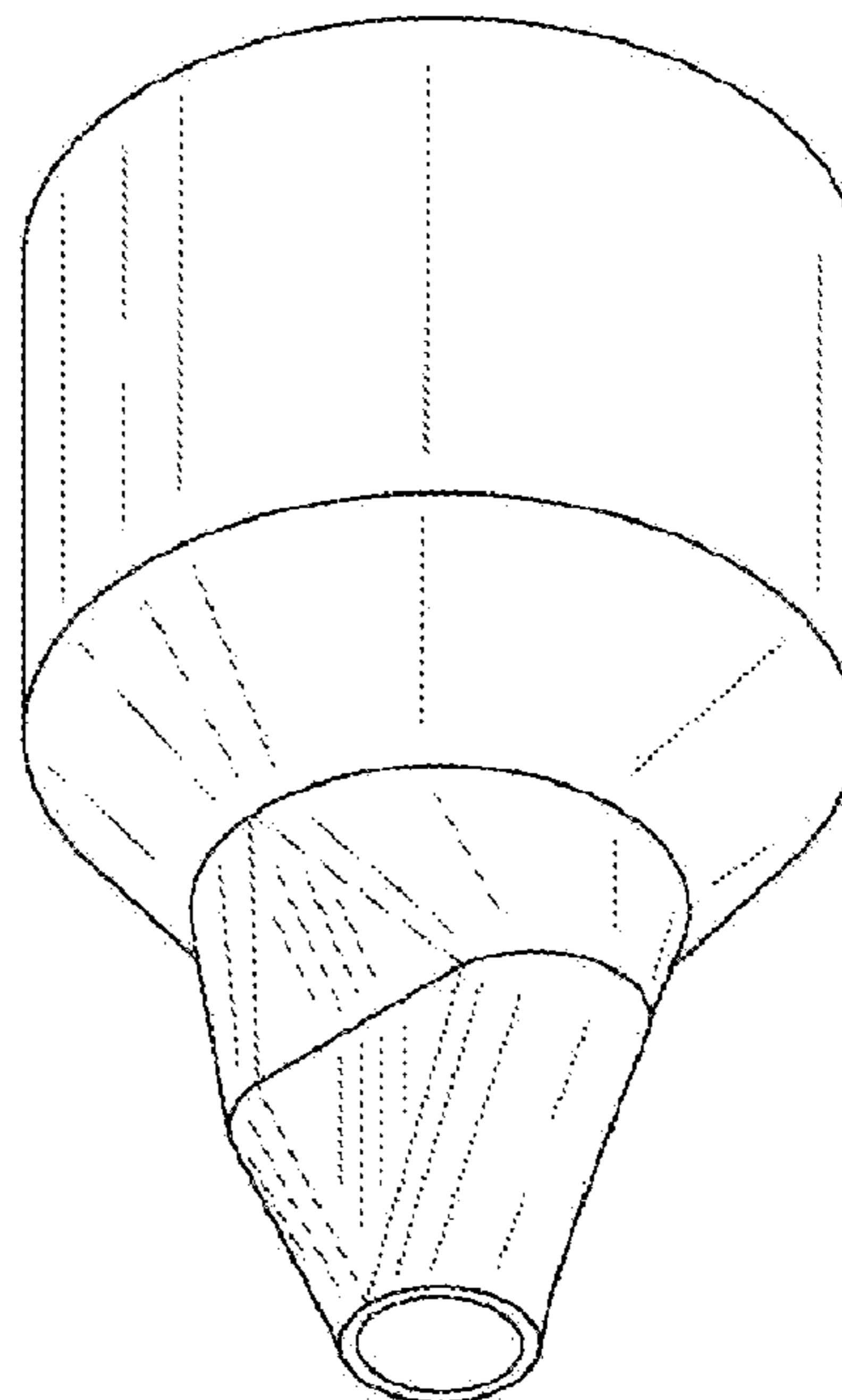
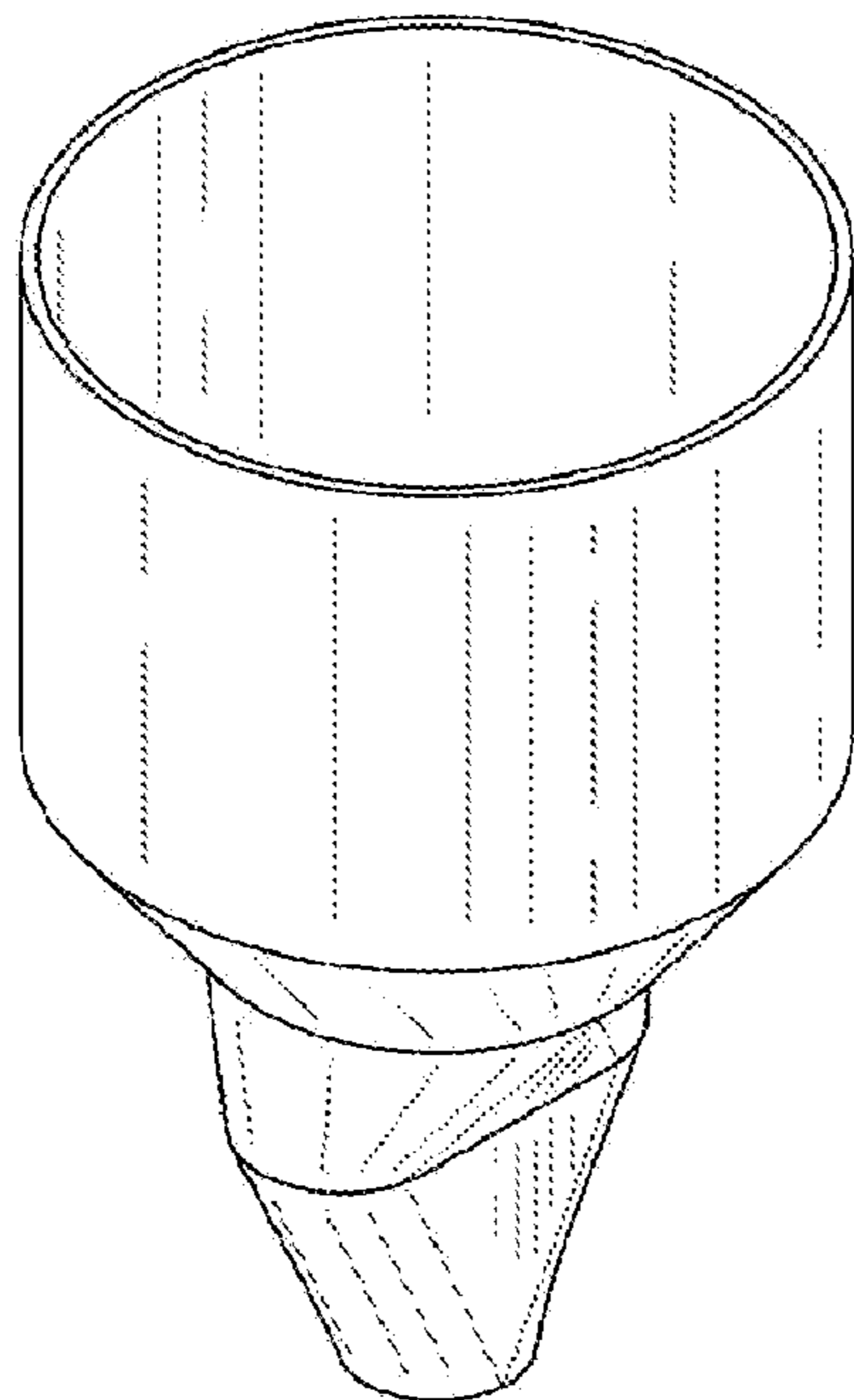
(57) **CLAIM**

The ornamental design for a surge bin, as shown and described.

DESCRIPTION

FIG. 1 is a bottom view of a surge bin;
FIG. 2 is a left view thereof;
FIG. 3 is a front view thereof;
FIG. 4 is a right view thereof;
FIG. 5 is a top view thereof;
FIG. 6 is a isometric front view thereof;
FIG. 7 is a isometric top view thereof; and,
FIG. 8 is an isometric rear view thereof.

1 Claim, 2 Drawing Sheets



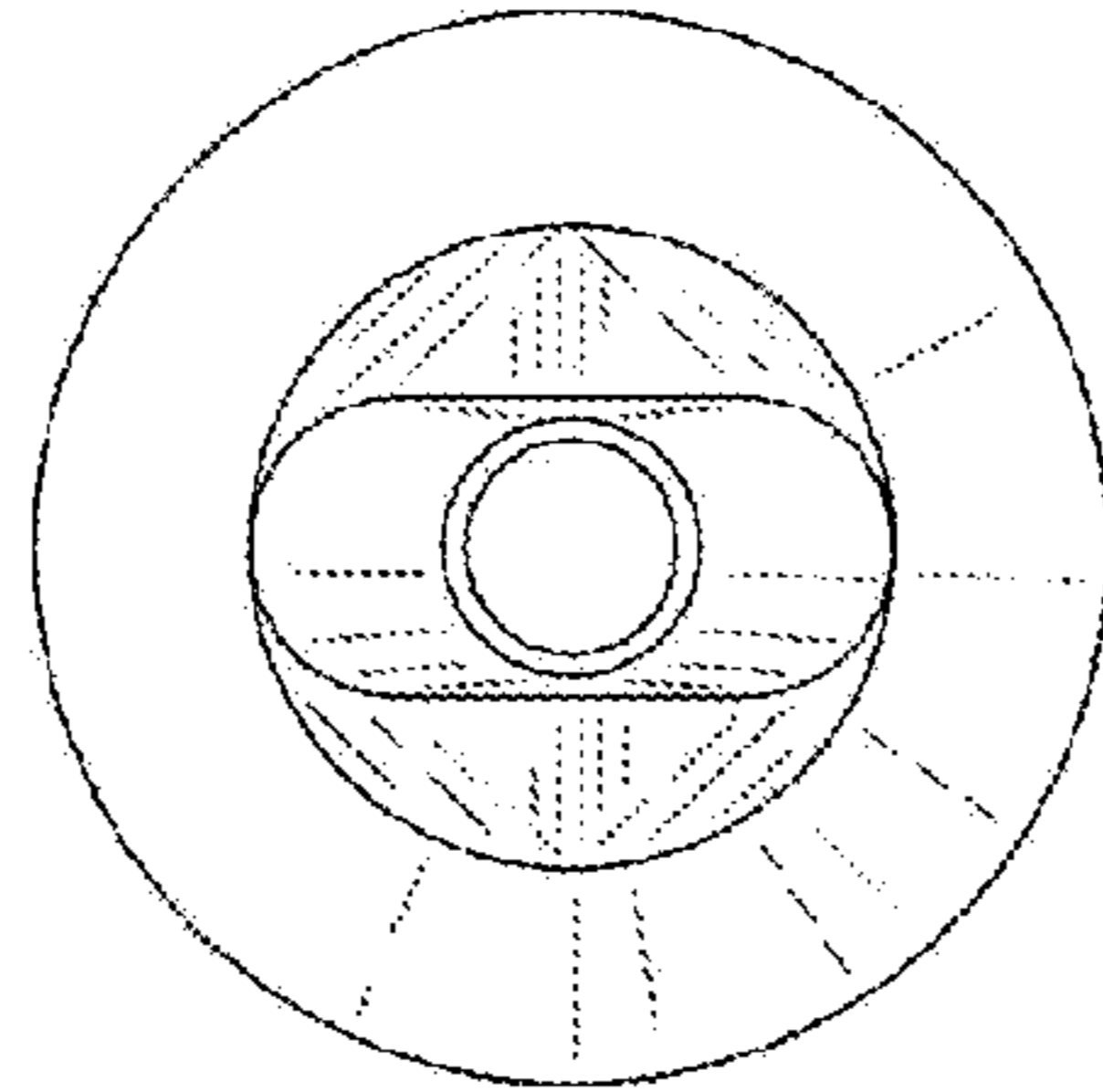


FIG. 1

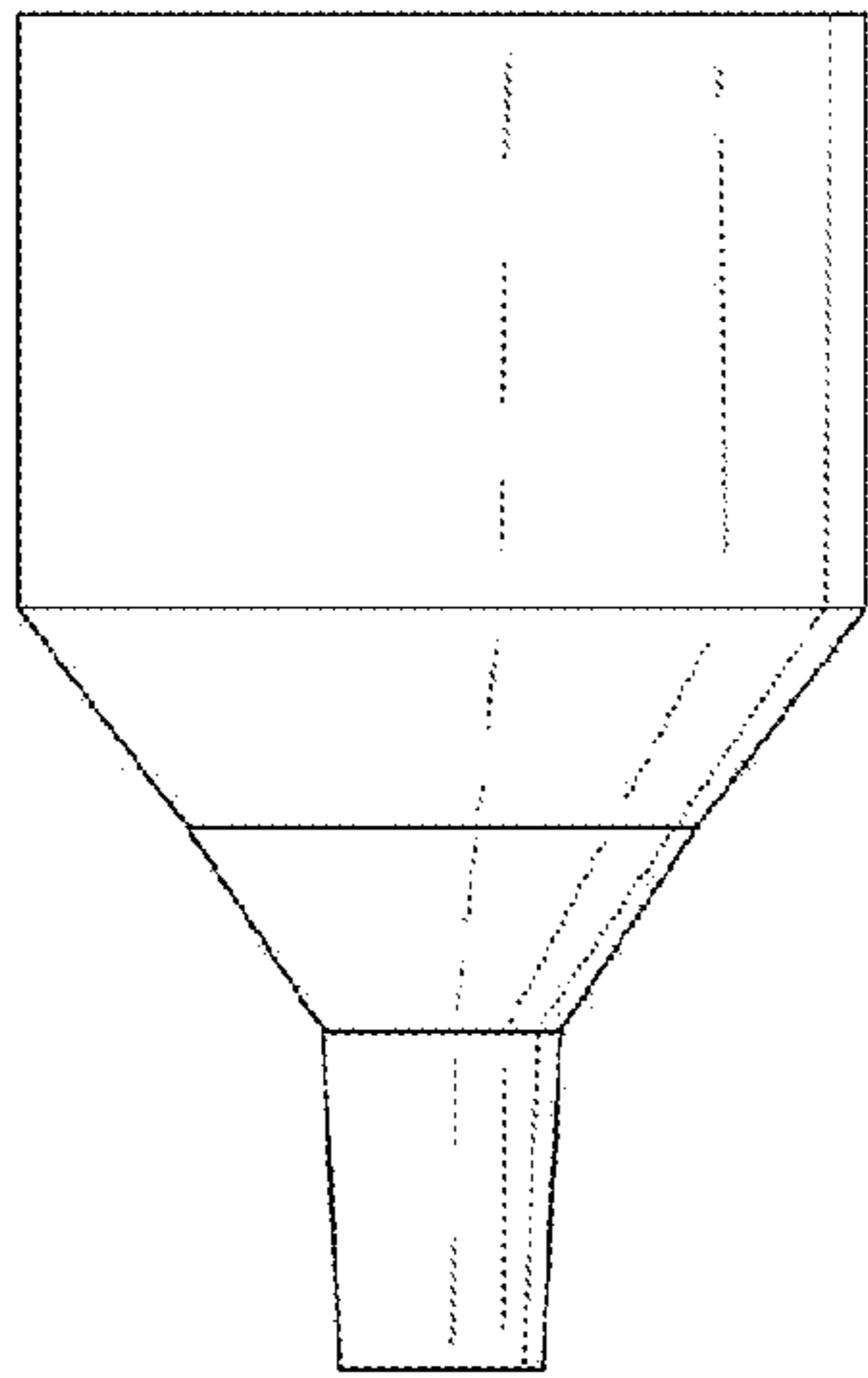


Fig. 2

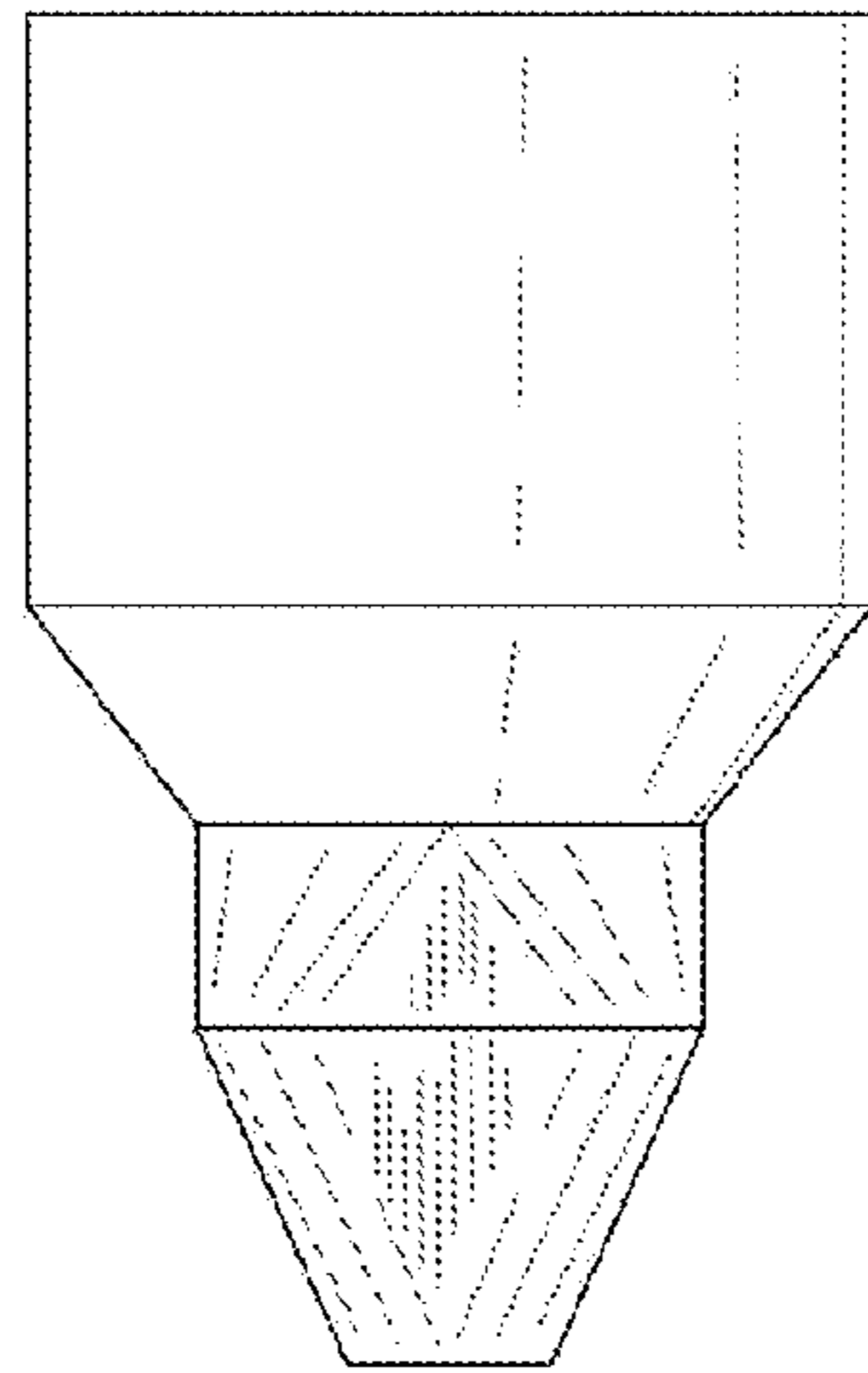


Fig. 3

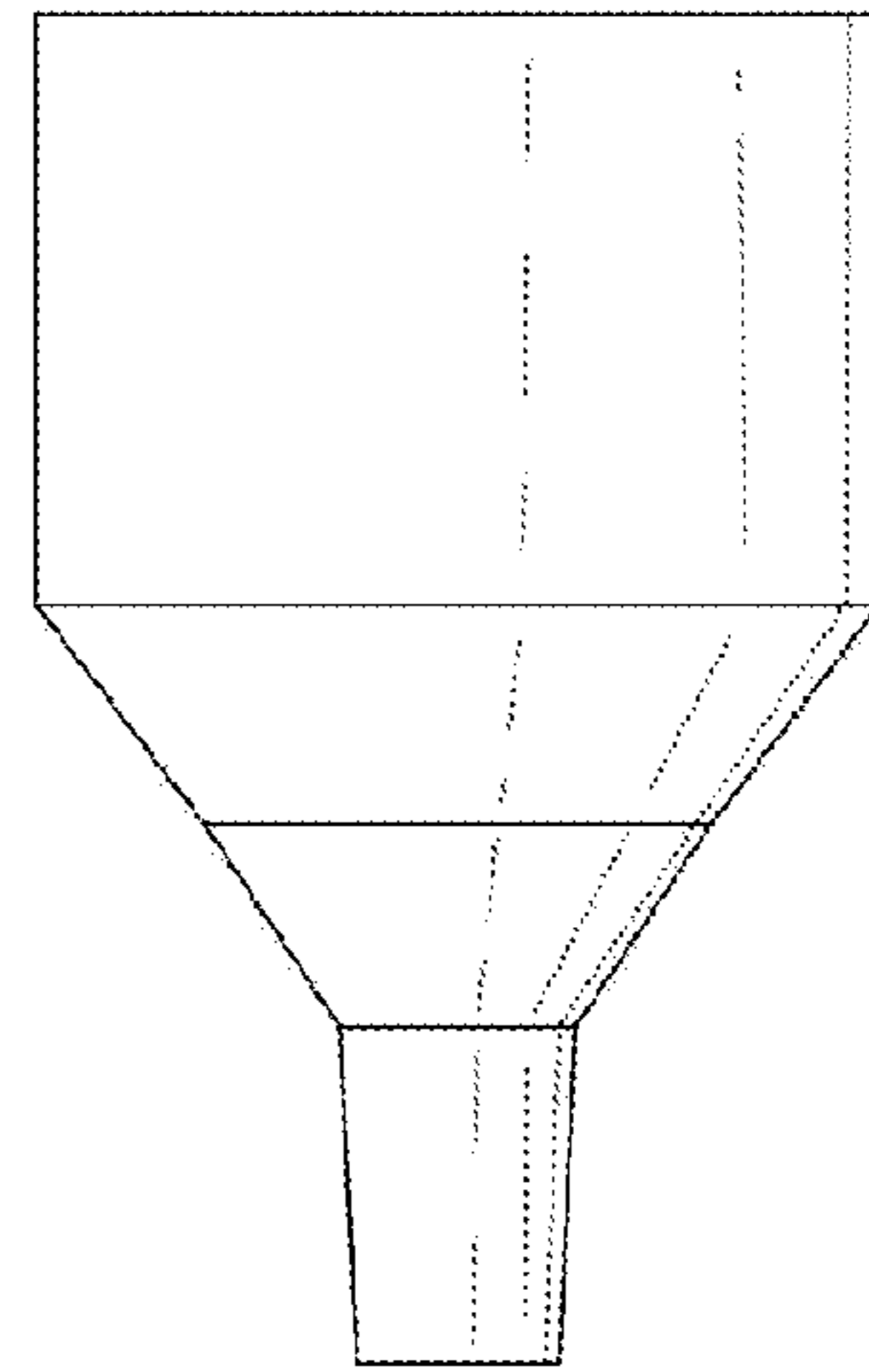


Fig. 4

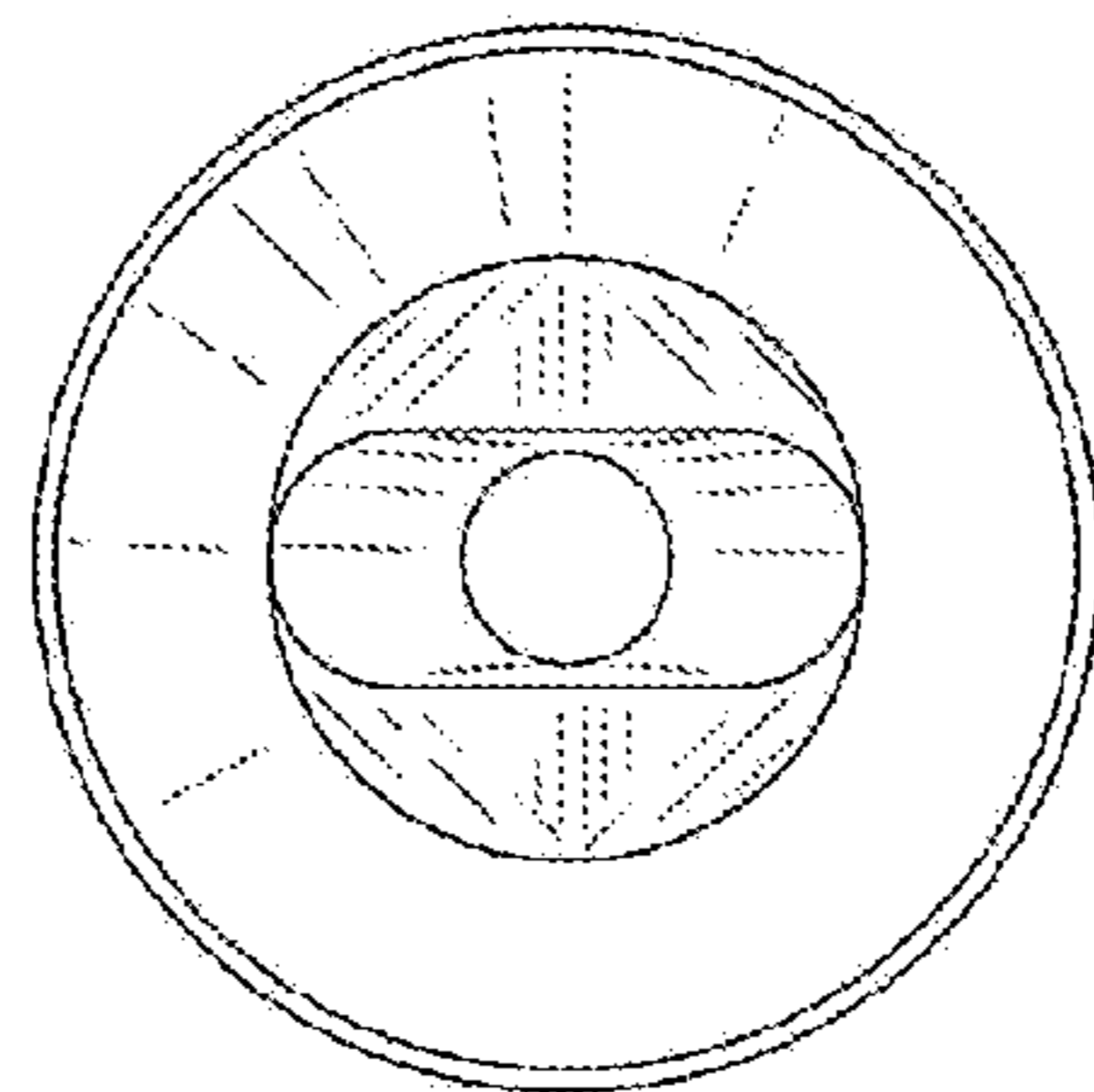


Fig. 5

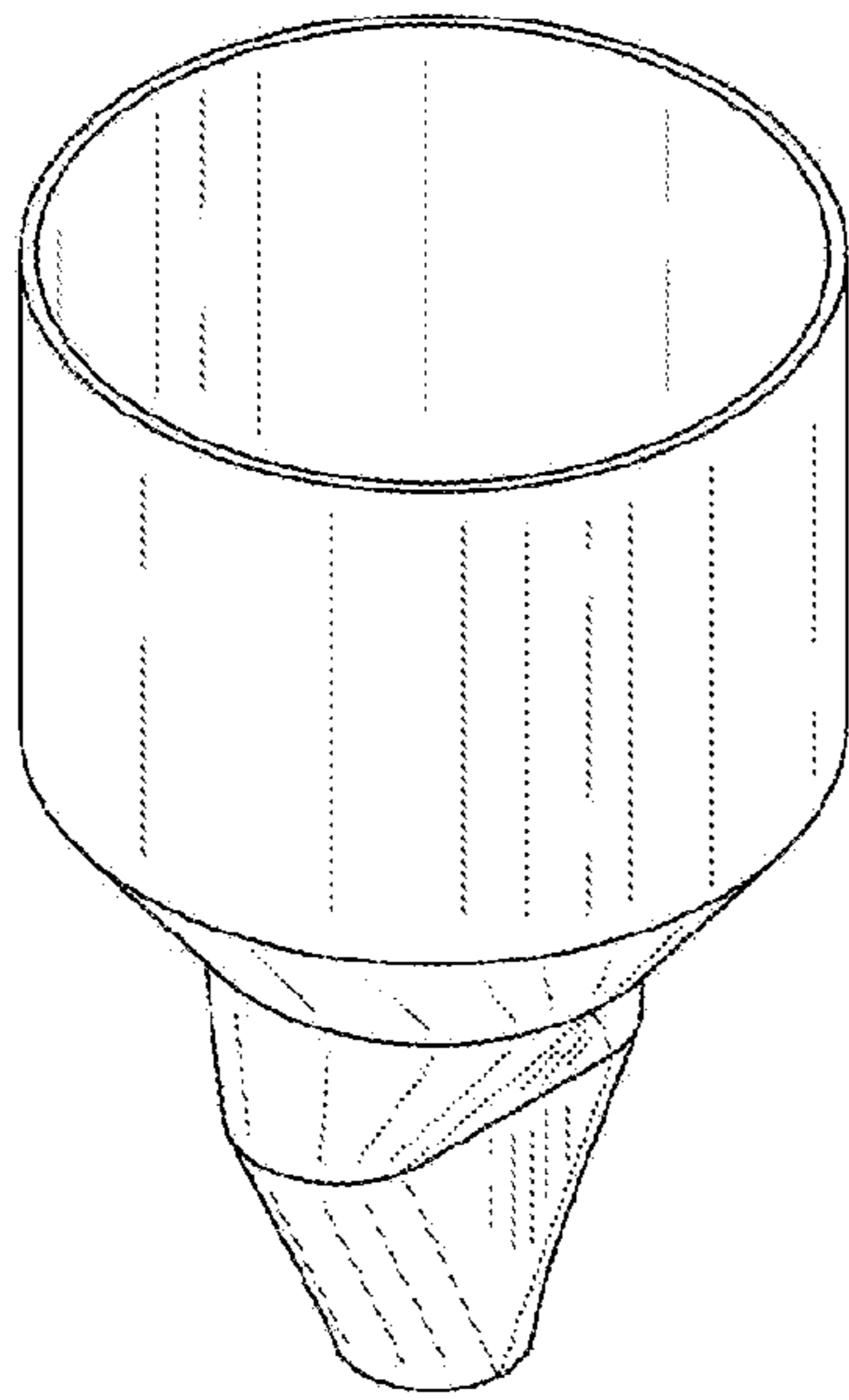


Fig. 6

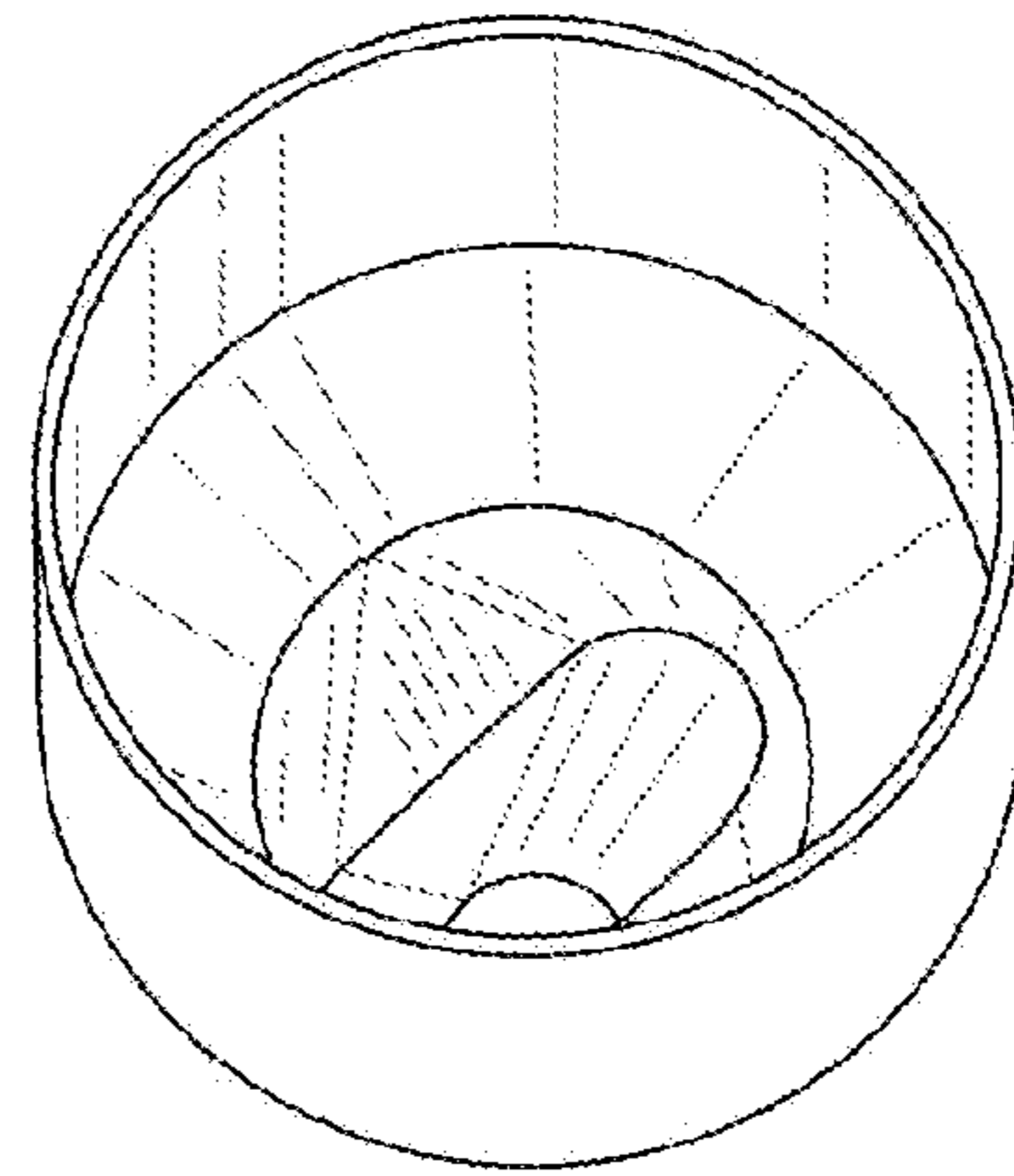


Fig. 7

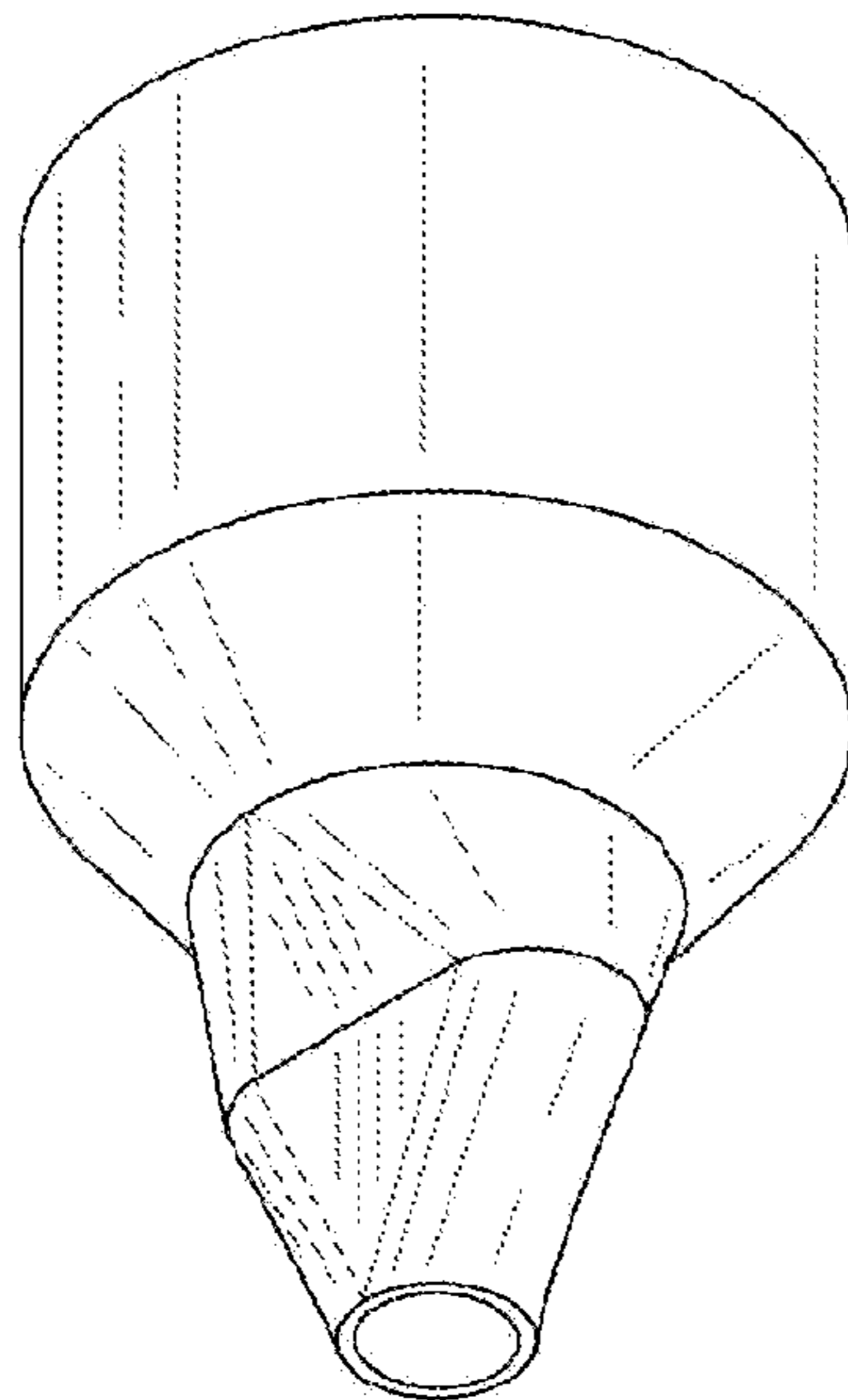


Fig. 8