



US00D732688S

(12) **United States Design Patent**
Valente et al.

(10) **Patent No.:** **US D732,688 S**
(45) **Date of Patent:** **** Jun. 23, 2015**

- (54) **MOBILE ARCHED TELESCOPIC DEPLOYABLE STAGE SYSTEM**
- (71) Applicant: **META STAGES, LLC**, Los Angeles, CA (US)
- (72) Inventors: **Edison Valente**, Santa Monica, CA (US); **Rouben Grigorian Aghan**, Glendale, CA (US)
- (73) Assignee: **Edison Valente**, Los Angeles, CA (US)
- (**) Term: **14 Years**
- (21) Appl. No.: **29/456,740**
- (22) Filed: **Jun. 3, 2013**
- (51) **LOC (10) Cl.** **25-03**
- (52) **U.S. Cl.**
USPC **D25/12; D12/101**
- (58) **Field of Classification Search**
USPC D25/1-4, 12-34, 56-58, 62;
D12/101-106; 52/6, 7, 66; 296/26.12,
296/26.15
See application file for complete search history.

6,393,769	B1 *	5/2002	Mertik et al.	52/7
D672,054	S *	12/2012	Mertik et al.	D25/18
D707,365	S *	6/2014	Johnstone	D25/3
D710,262	S *	8/2014	Faye	D12/101
2012/0096775	A1 *	4/2012	Allison	52/7
2012/0272584	A1 *	11/2012	Bilsen et al.	52/7
2013/0333302	A1 *	12/2013	Valente et al.	52/7
2014/0230340	A1 *	8/2014	Fox	52/1
2014/0235362	A1 *	8/2014	Fox et al.	472/75

* cited by examiner

Primary Examiner — Garth Rademaker
Assistant Examiner — Samantha Q Lawrence

(57) **CLAIM**

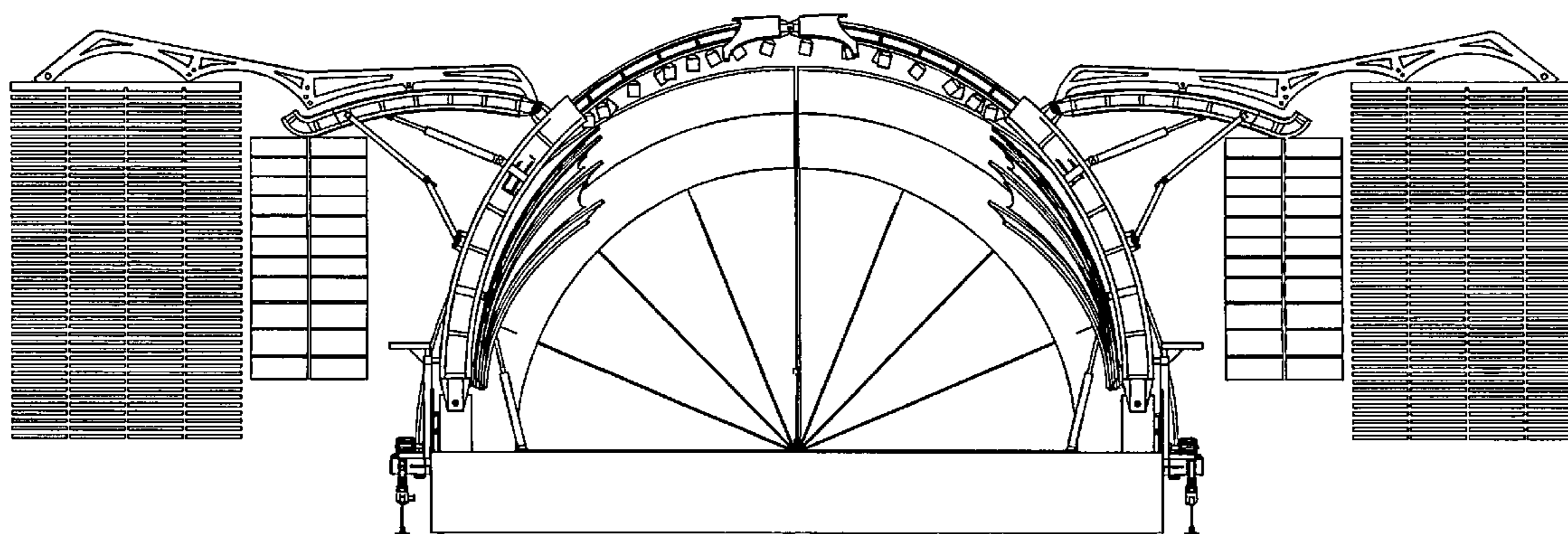
The ornamental design for a mobile arched telescopic deployable stage system, as shown and described.

DESCRIPTION

FIG. 1 is a front view of a mobile arched telescopic deployable stage system of the invention.
 FIG. 2 is a top, front perspective view thereof.
 FIG. 3 is a rear view thereof.
 FIG. 4 is a left side view thereof, the right side being a mirror image thereof.
 FIG. 5 is a top view thereof.
 FIG. 6 is a top, front right perspective view thereof.
 FIG. 7 is a top, rear right perspective view thereof.
 FIG. 8 is a top rear perspective view thereof; and,
 FIG. 9 is a top right perspective view thereof, shown in an alternate configuration of use.
 The vertical dashed lines in FIG. 4 illustrate the side edges of the outermost panels and form part of the claimed design.

1 Claim, 9 Drawing Sheets

- (56) **References Cited**
U.S. PATENT DOCUMENTS
4,471,586 A * 9/1984 Shuch et al. 52/36.2
5,152,109 A * 10/1992 Boers 52/143
5,327,698 A * 7/1994 Uhl 52/68
D371,330 S * 7/1996 Wright D12/97
6,253,494 B1 * 7/2001 Shaffron 52/7



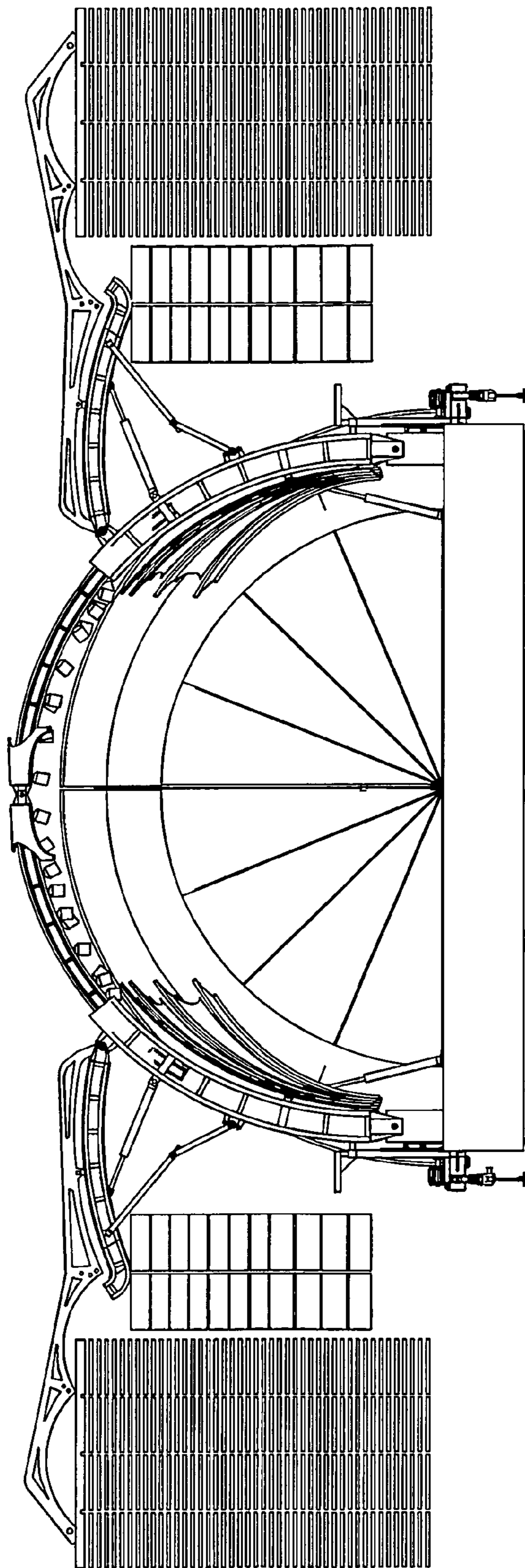


Fig. 1

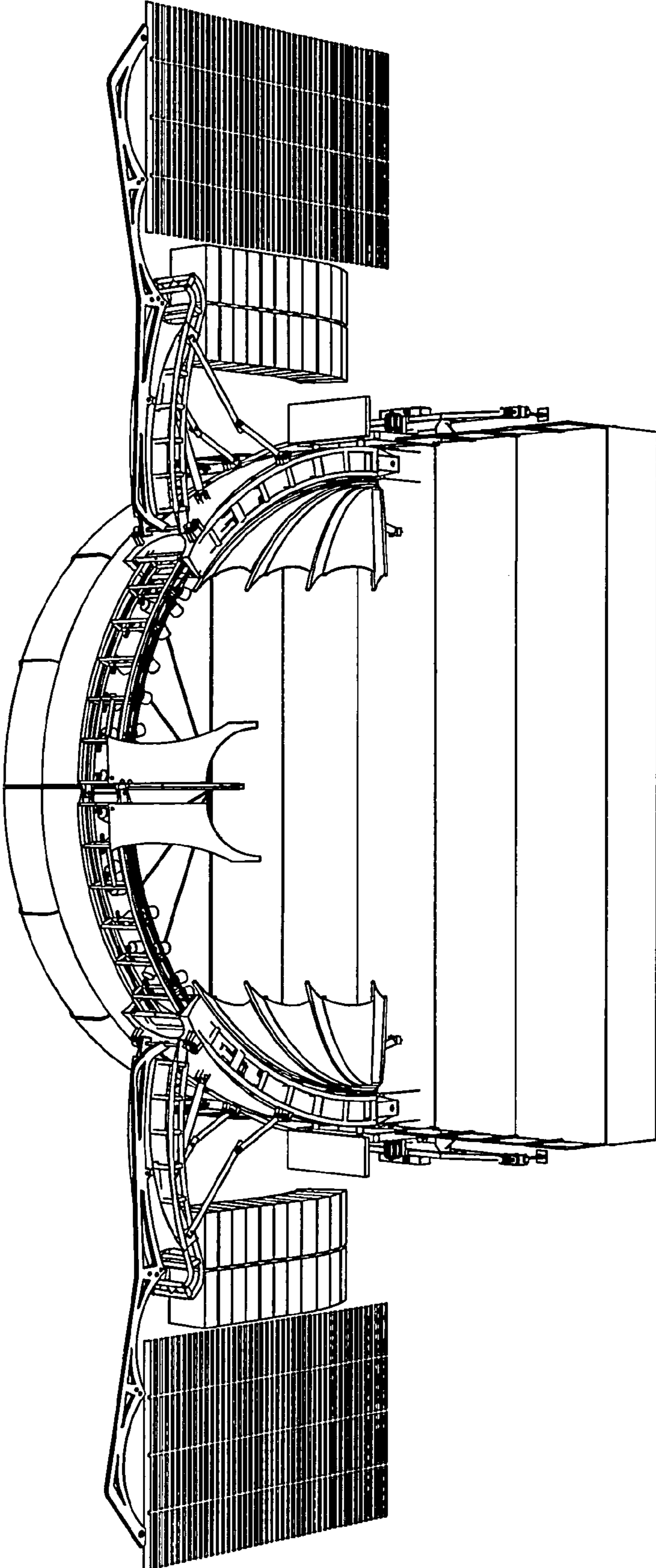


Fig. 2

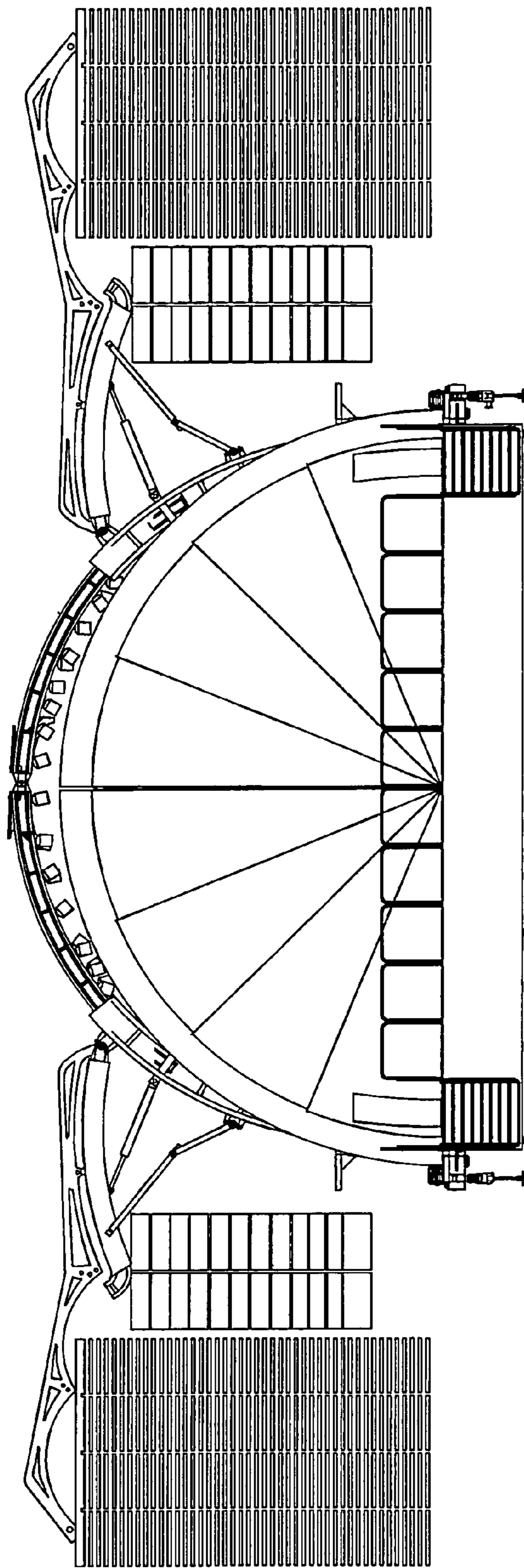


Fig. 3

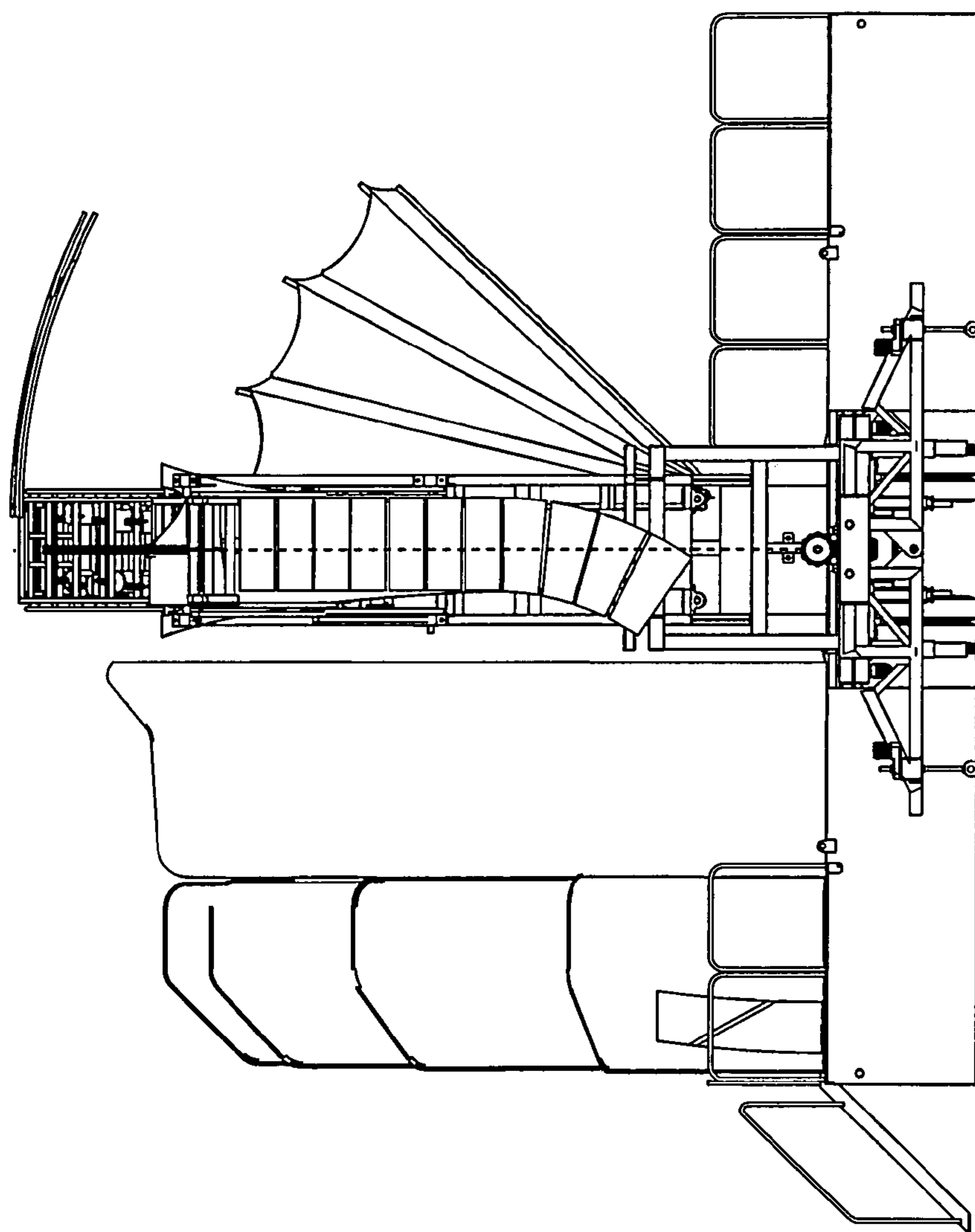


Fig. 4

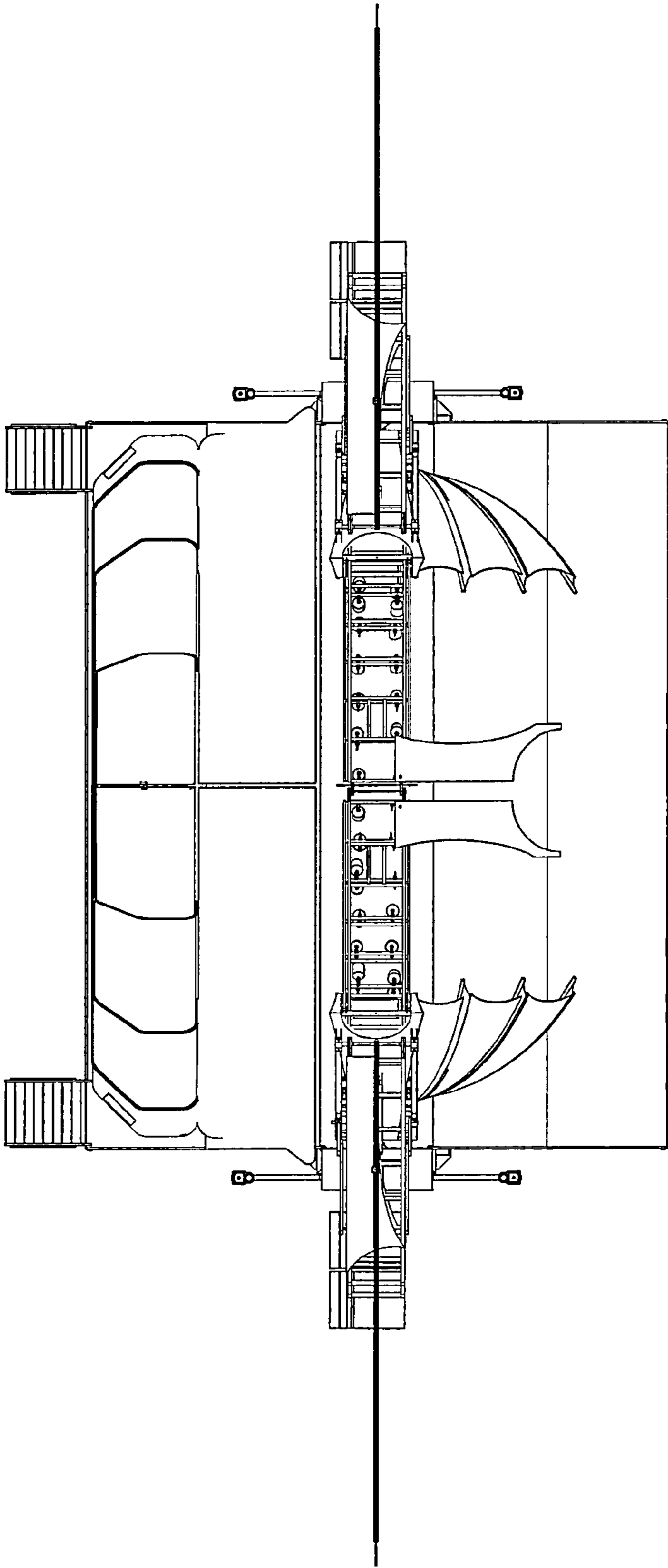


Fig. 5

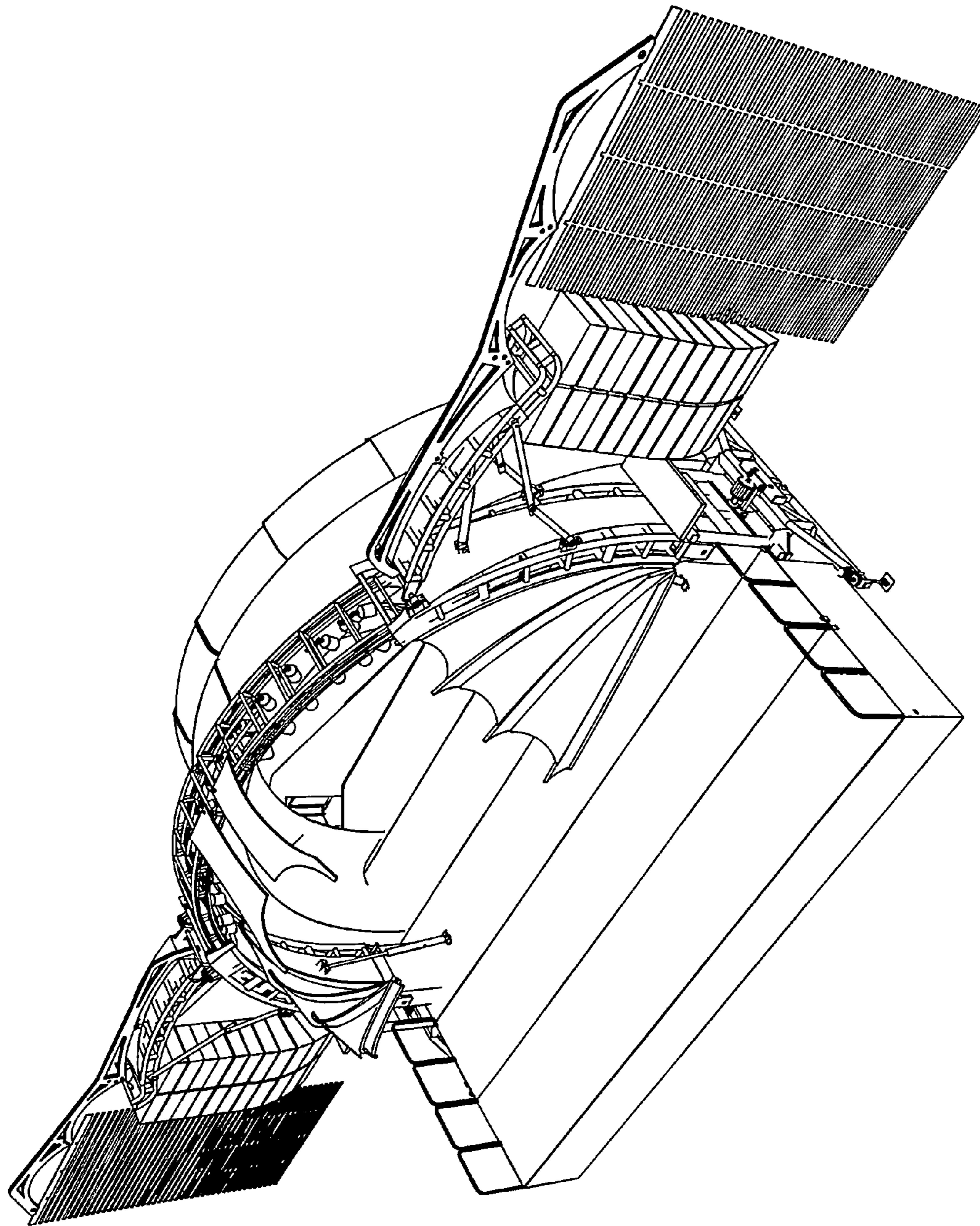


Fig. 6

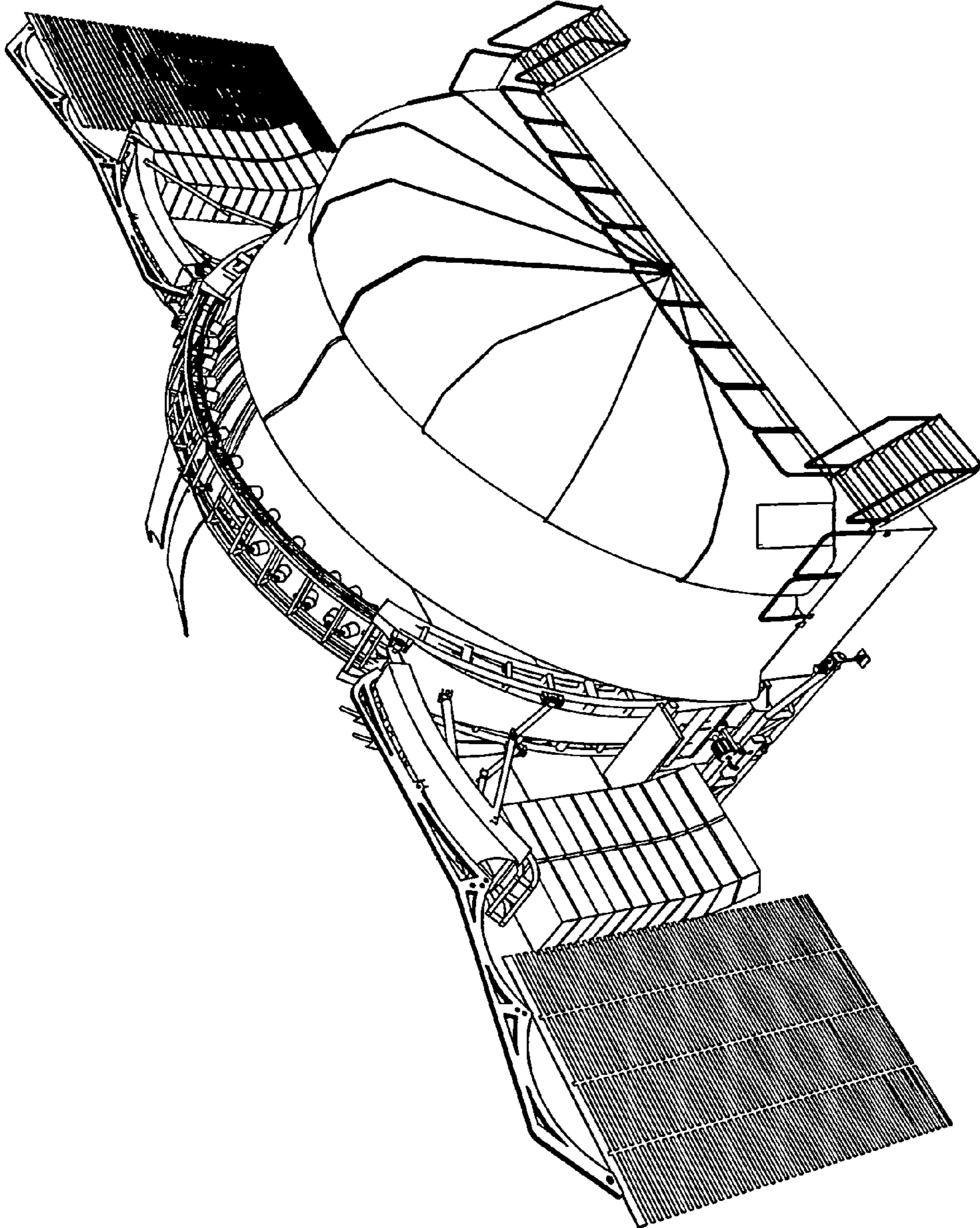


Fig. 7

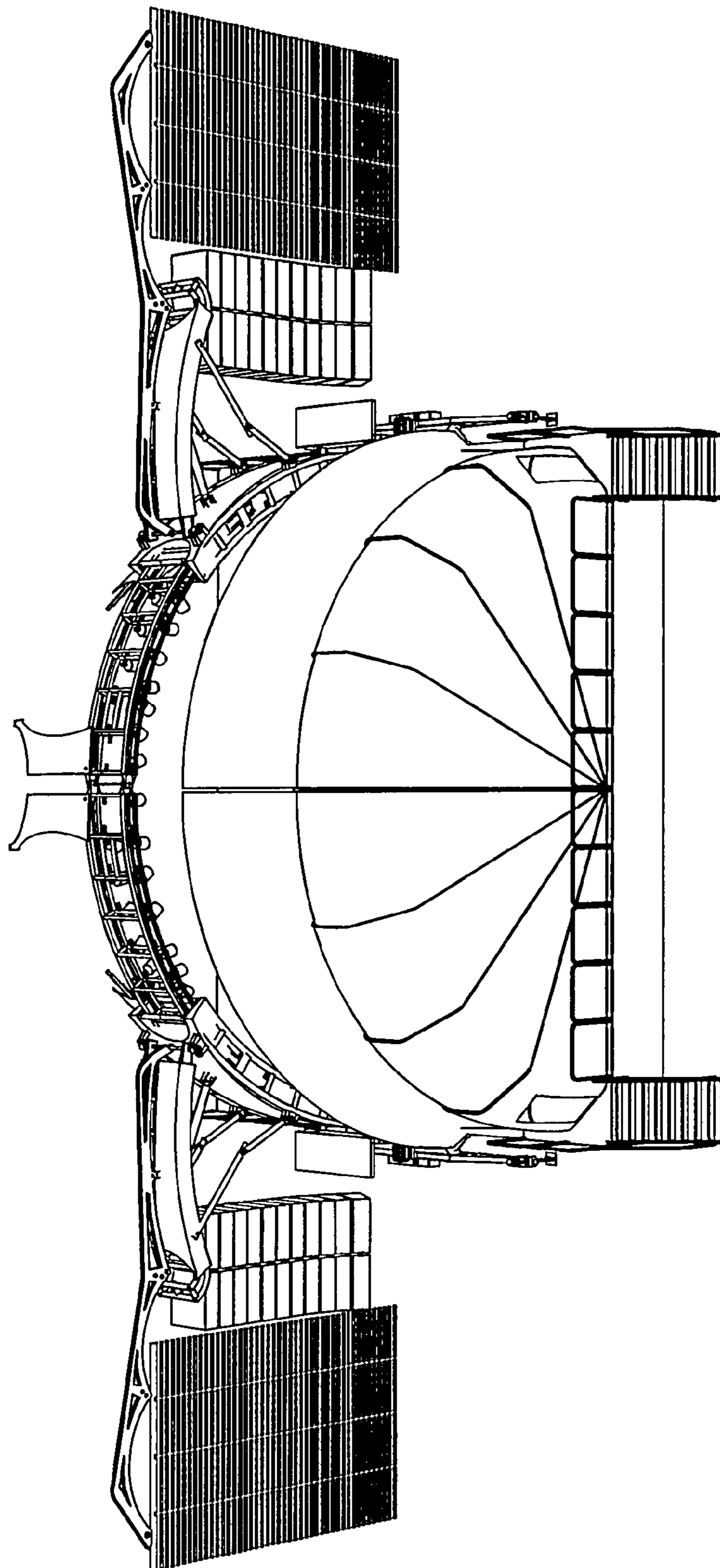


Fig. 8

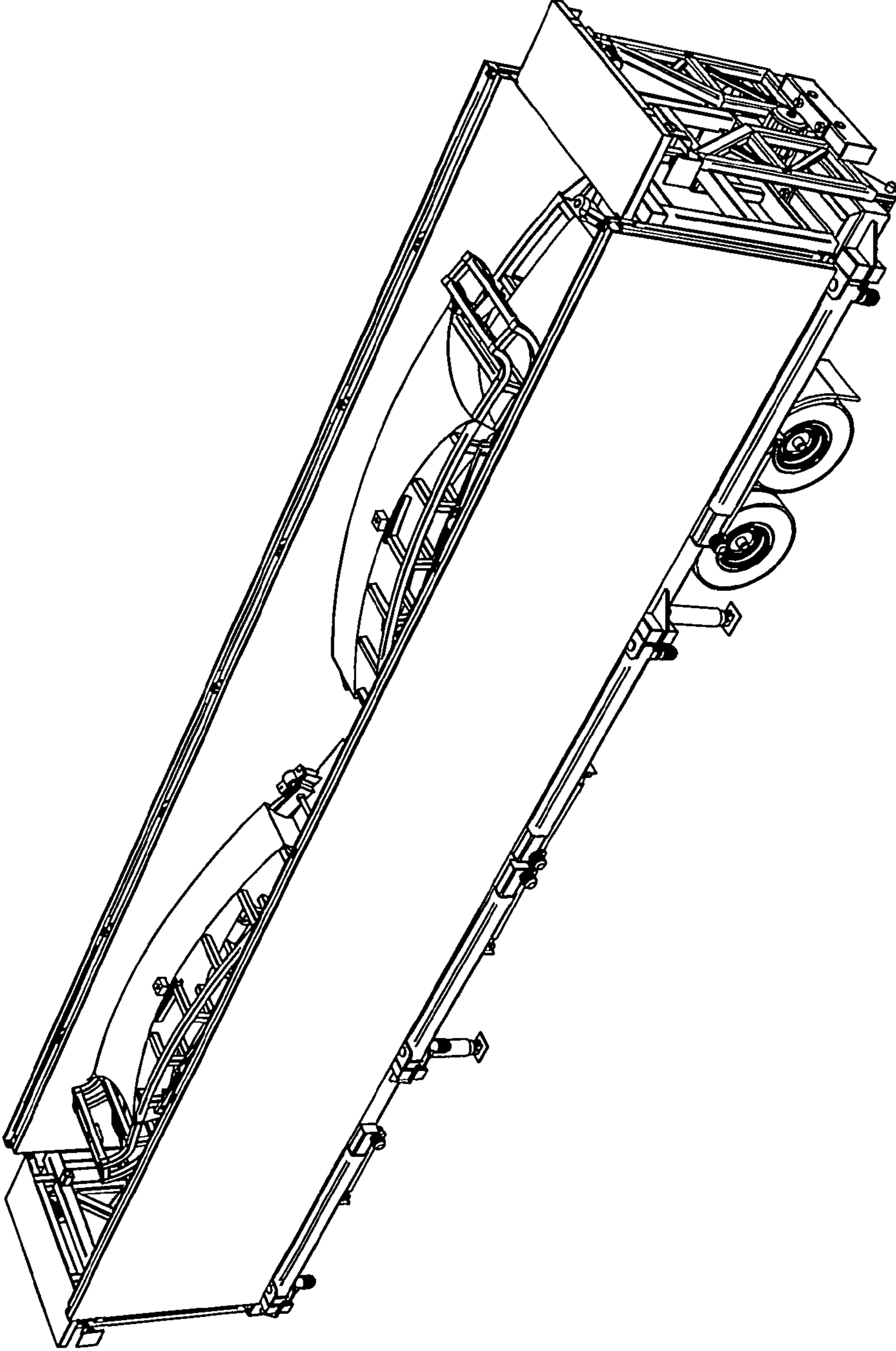


Fig. 9