



US00D732684S

(12) **United States Design Patent**
Ooi et al.

(10) **Patent No.:** **US D732,684 S**
(45) **Date of Patent:** **** Jun. 23, 2015**

- (54) **CONTAINER FOR ANALYZER**
- (71) Applicant: **Sysmex Corporation**, Kobe-shi, Hyogo (JP)
- (72) Inventors: **Yoshinori Ooi**, Kobe (JP); **Keiichiro Shohmi**, Kobe (JP); **Katsuhiko Jindo**, Kobe (JP); **Mika Yoshimura**, Kobe (JP)
- (73) Assignee: **SYSMEX CORPORATION**, Hyogo (JP)
- (**) Term: **14 Years**
- (21) Appl. No.: **29/467,961**
- (22) Filed: **Sep. 25, 2013**
- (30) **Foreign Application Priority Data**

Mar. 25, 2013 (JP) 2013-006530

(51) **LOC (10) Cl.** **24-02**

(52) **U.S. Cl.**
USPC **D24/224**

(58) **Field of Classification Search**
USPC D24/216-232; D3/203.1; D10/81; 229/4.5; D9/503, 516, 519, 520-521, D9/544-446, 549, 500, 556, 558; 422/500, 422/547, 554, 556, 528, 501; 356/246; 215/224, 305, 306, 365, 230, 204; 435/288.1, 288.2, 304.1, 304.2, 287.7; 220/259.2; 206/534; 436/45
See application file for complete search history.

(56) **References Cited**
U.S. PATENT DOCUMENTS

3,288,318	A *	11/1966	Corbin et al.	215/365
D229,748	S *	1/1974	White	D24/224
3,799,426	A *	3/1974	Pates et al.	229/4.5
D232,355	S *	8/1974	Wiedman	D24/224
D246,467	S *	11/1977	Kurata	D24/224
D246,600	S *	12/1977	Kurata	D24/224

D256,053	S *	7/1980	Steigerwald	D24/224
4,674,640	A *	6/1987	Asa et al.	215/230
D302,722	S *	8/1989	Baxter	D24/224
D304,997	S *	12/1989	Baxter	D24/224
D307,052	S *	4/1990	Baxter	D24/224
D319,018	S *	8/1991	West et al.	D9/446
5,225,165	A *	7/1993	Perlman	422/548
5,295,599	A *	3/1994	Smith	215/204
5,513,768	A *	5/1996	Smith	220/259.2
5,730,292	A *	3/1998	Jones	206/534
5,958,778	A *	9/1999	Kidd	436/45
D425,625	S *	5/2000	Niermann	D24/224
D438,982	S *	3/2001	Lodge et al.	D24/224
6,312,648	B1 *	11/2001	Lenardo et al.	422/501
D453,837	S *	2/2002	Lodge	D24/224
D453,838	S *	2/2002	Harrop	D24/224
D454,201	S *	3/2002	Harrop	D24/224
D469,185	S *	1/2003	Lodge	D24/224

(Continued)

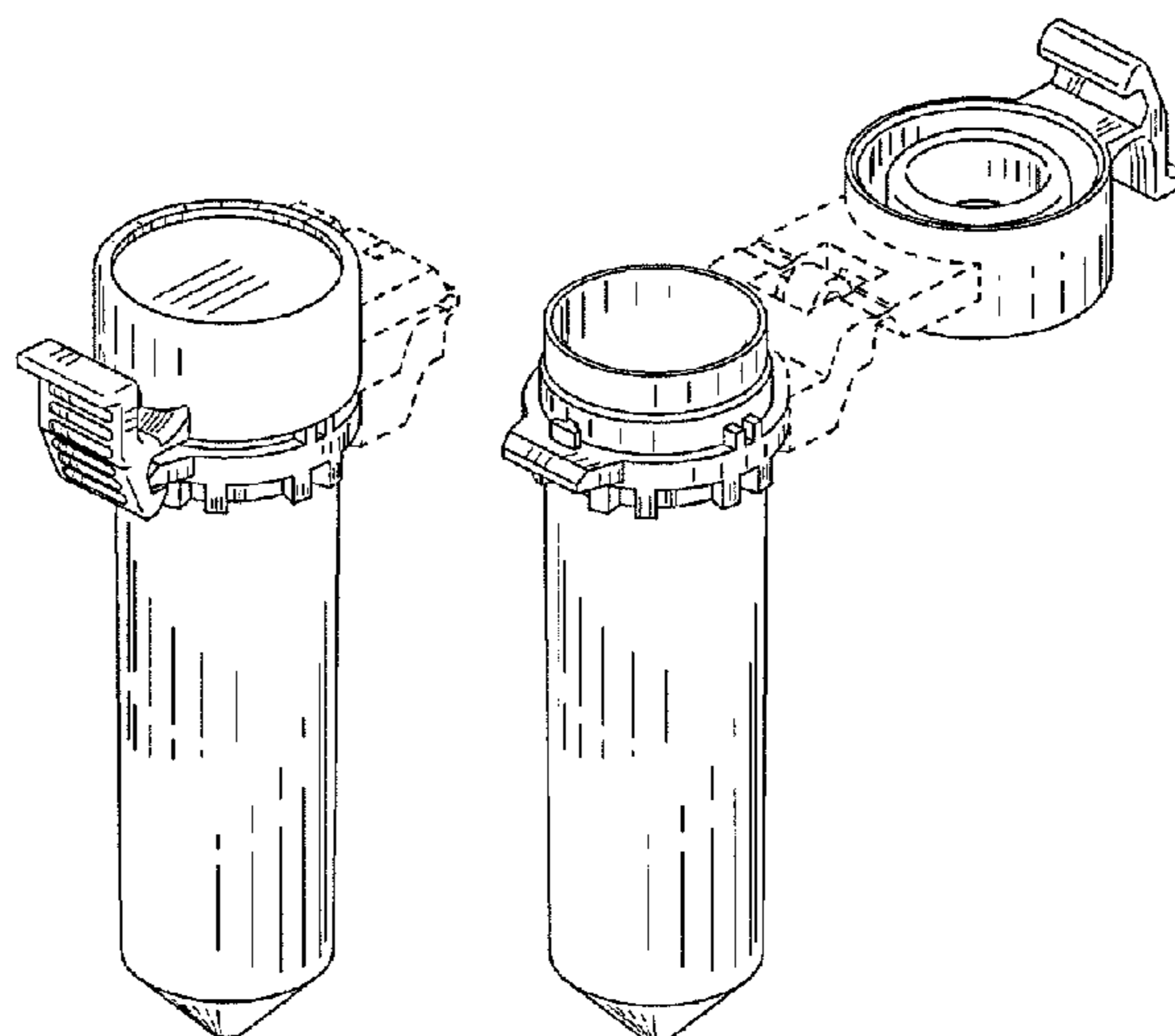
Primary Examiner — T. Chase Nelson
Assistant Examiner — Mark Cavanna
(74) *Attorney, Agent, or Firm* — Brinks Gilson & Lione

(57) **CLAIM**
We claim the ornamental design for a container for analyzer, as shown and described.

DESCRIPTION

FIG. 1 is a perspective view of a container for analyzer of the present invention;
FIG. 2 is a front view thereof;
FIG. 3 is a rear view thereof;
FIG. 4 is a right side view thereof;
FIG. 5 is a left side view thereof;
FIG. 6 is a top view thereof;
FIG. 7 is a bottom view thereof;
FIG. 8 is a cross-sectional view taken along the line 8 of FIG. 4; and,
FIG. 9 is a second perspective view thereof shown with the lid in an open position.
The broken lines shown represent unclaimed subject matter and form no part of the claimed design.

1 Claim, 5 Drawing Sheets



US D732,684 S

Page 2

(56)

References Cited

U.S. PATENT DOCUMENTS

7,915,032 B2 * 3/2011 Ostrowski et al. 435/287.7
D636,678 S * 4/2011 Baird et al. D9/500
D640,795 S * 6/2011 Jackson et al. D24/216

D644,740 S * 9/2011 John et al. D24/224
D647,211 S * 10/2011 Belfance et al. D24/224
D659,848 S * 5/2012 TerMaat et al. D24/224
D707,364 S * 6/2014 Spencer D24/224

* cited by examiner

FIG.1

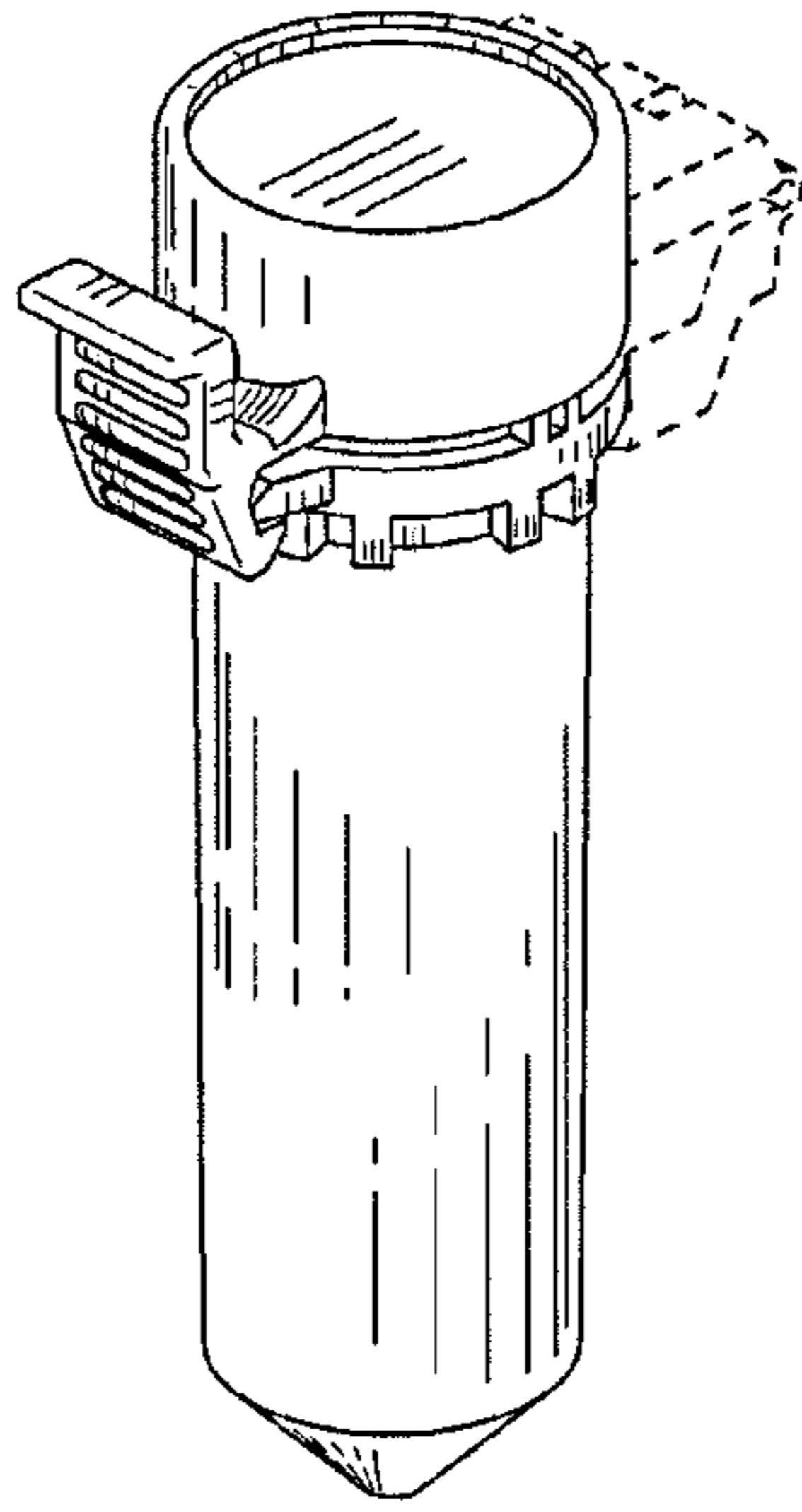


FIG.2

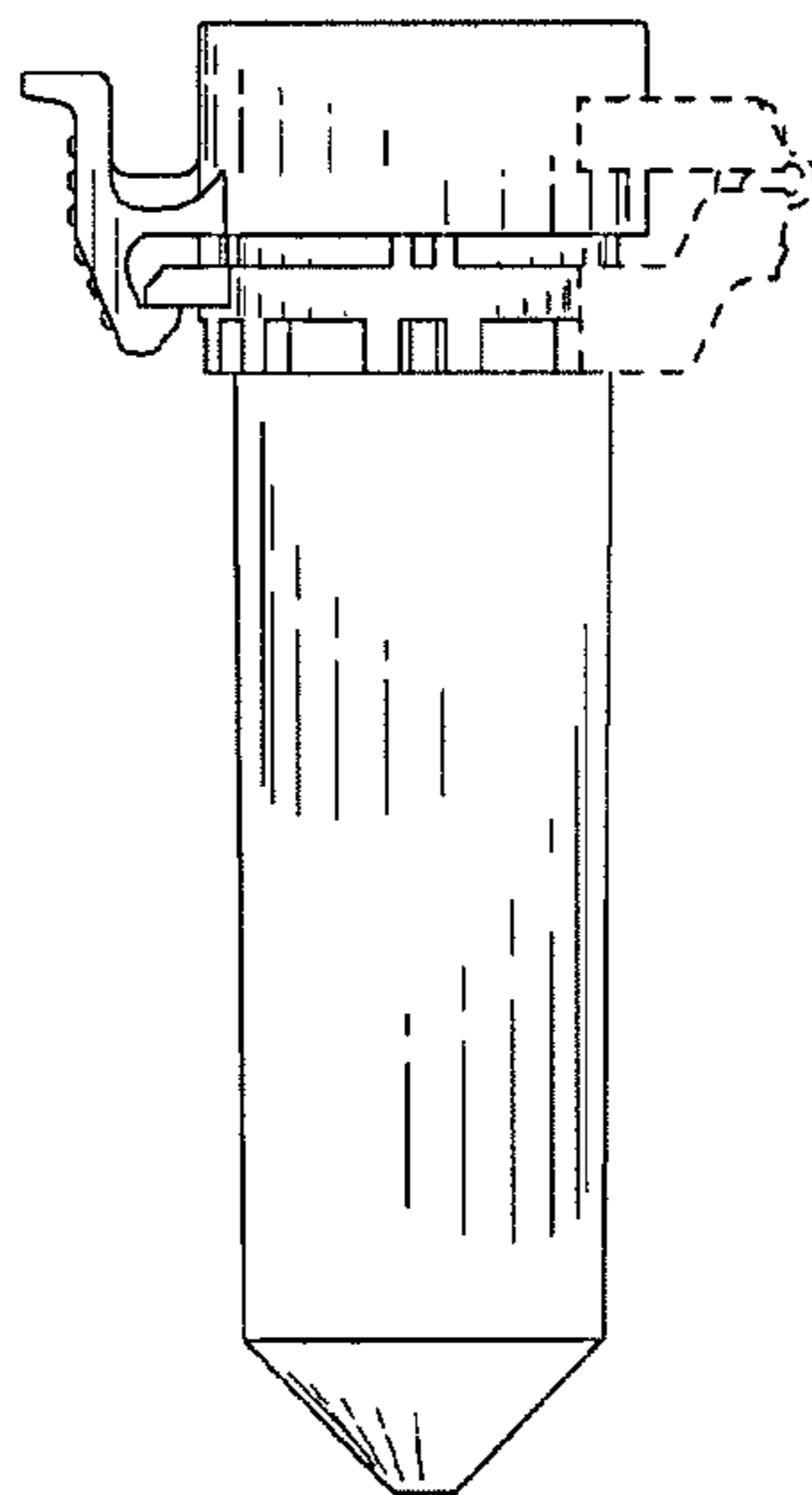


FIG.3

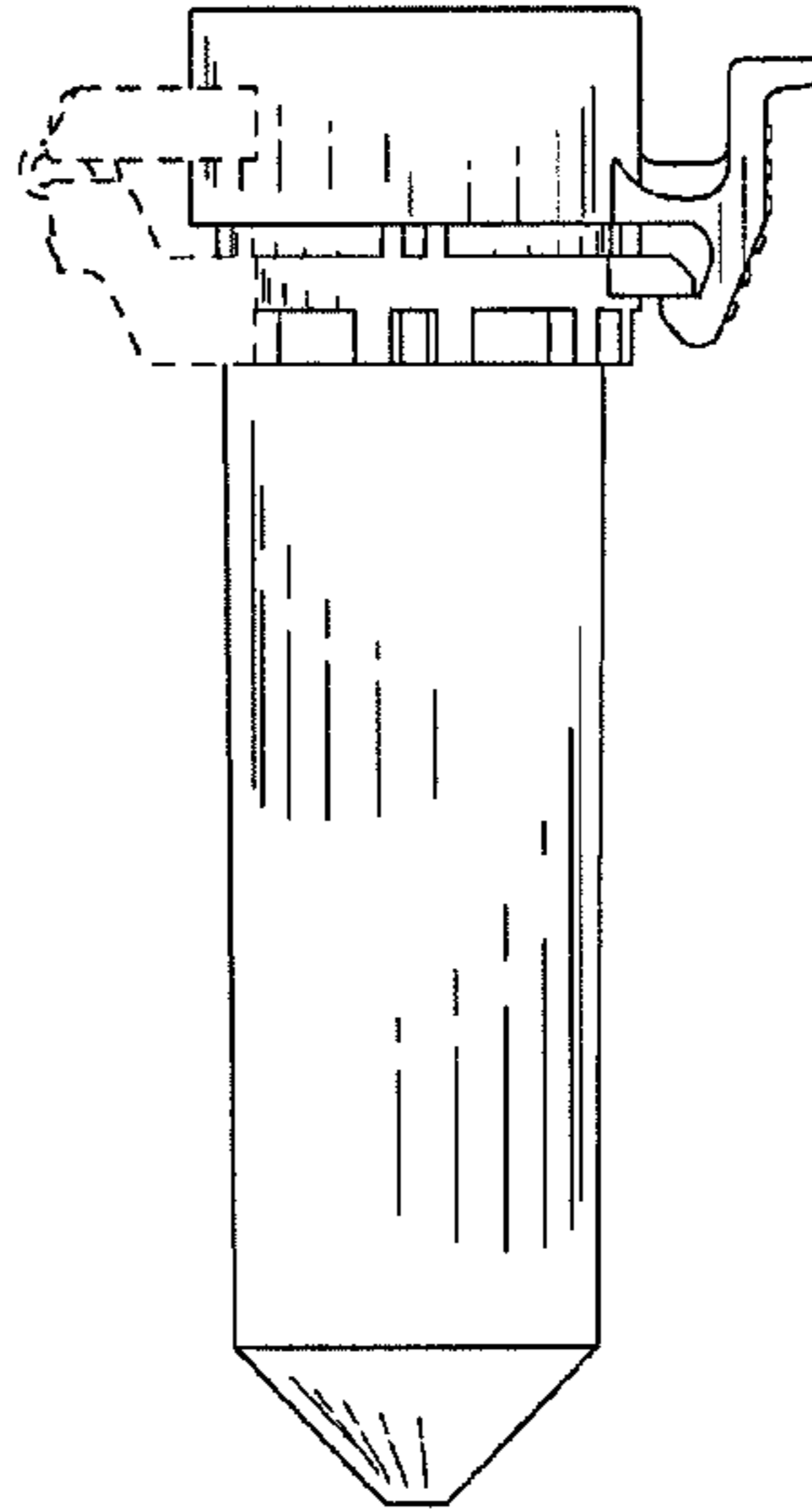


FIG.4



FIG.5

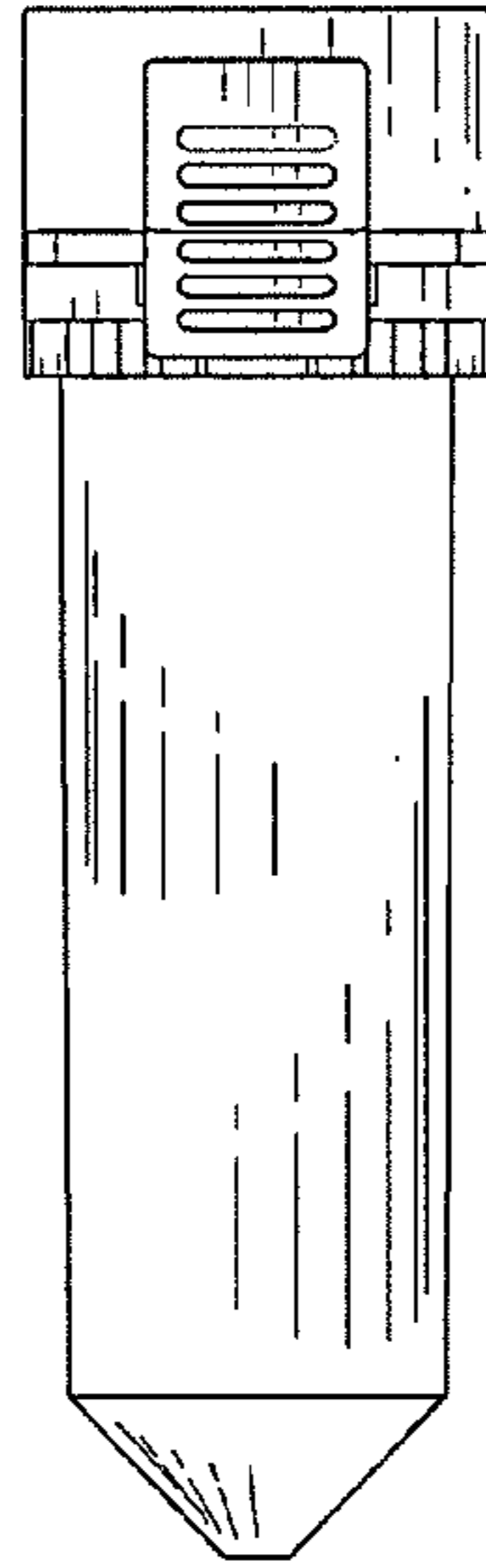


FIG.6

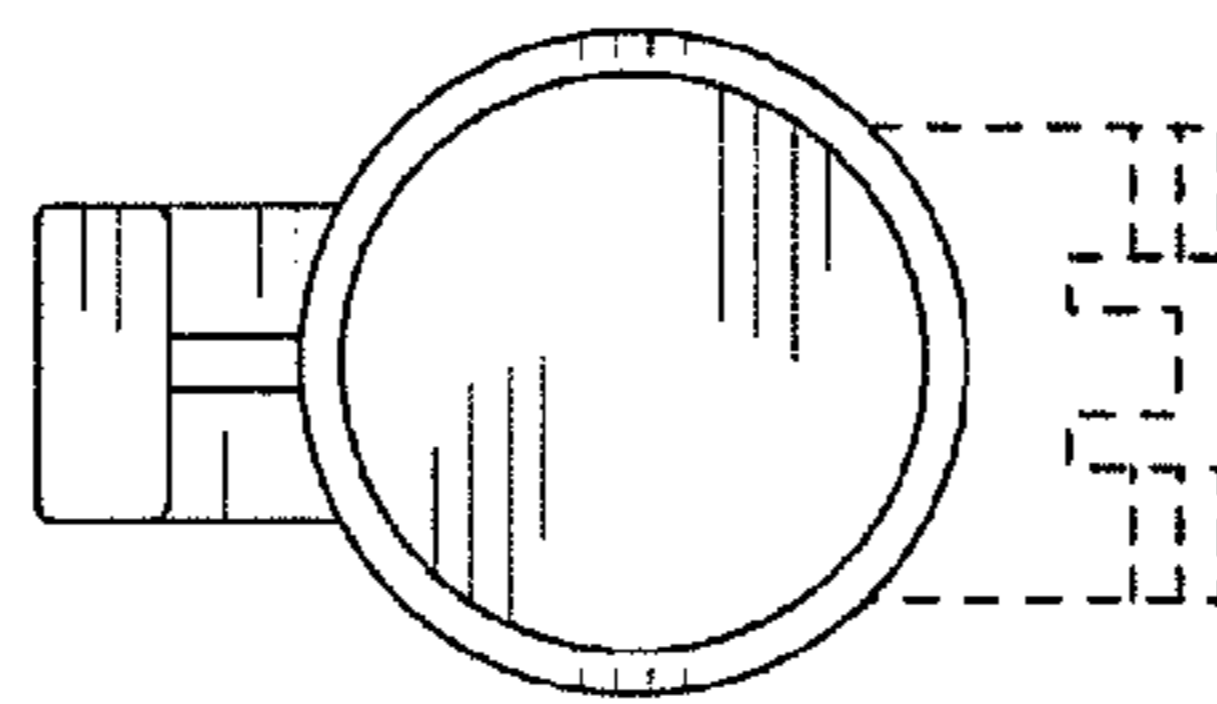


FIG.7

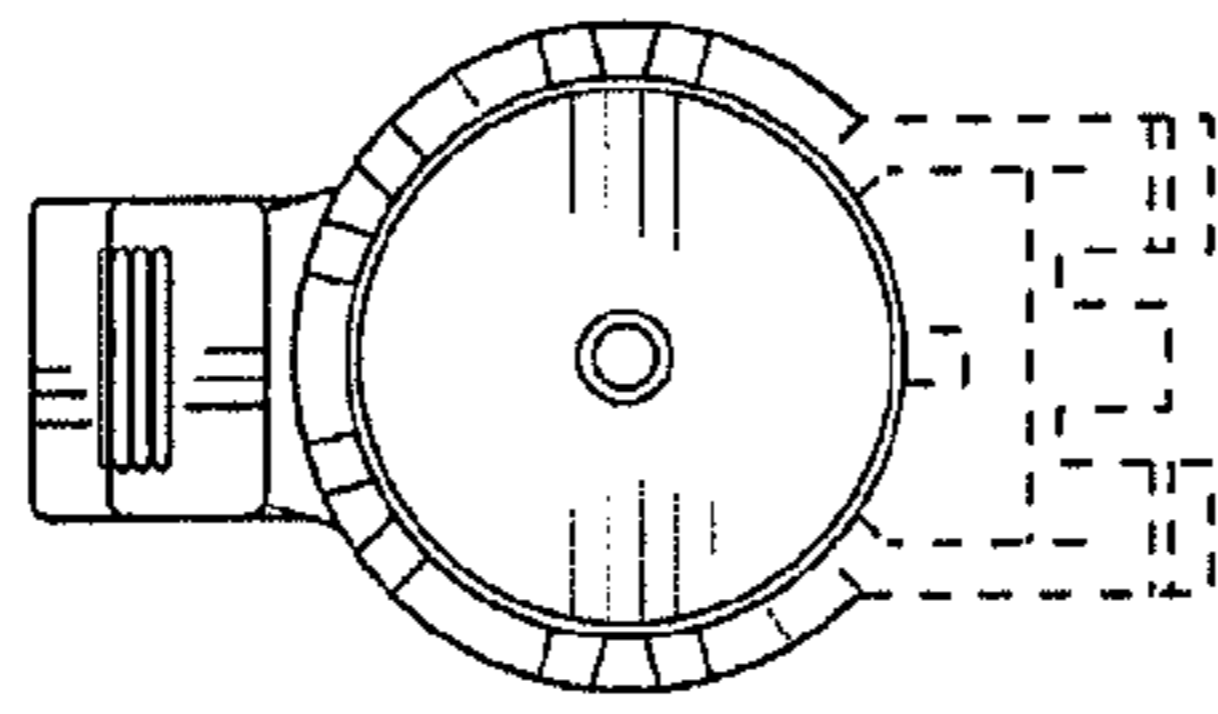


FIG.8

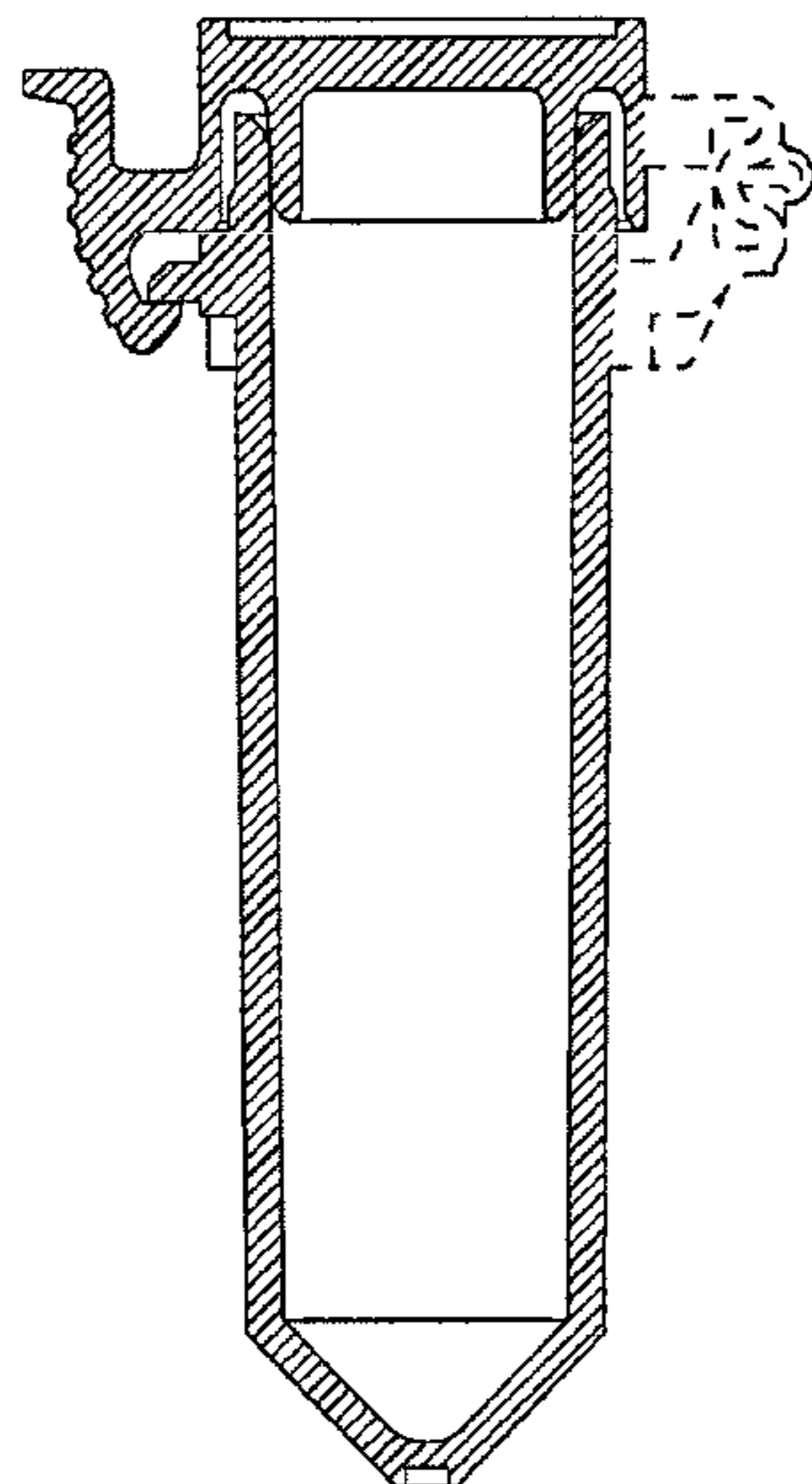


FIG.9

