



US00D732682S

(12) **United States Design Patent**
Porat

(10) **Patent No.:** **US D732,682 S**

(45) **Date of Patent:** **** Jun. 23, 2015**

(54) **MASSAGER**

(71) Applicant: **Amir Porat**, Yehud (IL)

(72) Inventor: **Amir Porat**, Yehud (IL)

(**) Term: **14 Years**

(21) Appl. No.: **29/508,735**

(22) Filed: **Nov. 10, 2014**

(51) **LOC (10) Cl.** **28-03**

(52) **U.S. Cl.**
USPC **D24/215**

(58) **Field of Classification Search**
USPC D24/200, 211, 212, 213, 214, 215;
601/110–114, 120, 121, 124, 125, 129,
601/131, 134, 135, 136, 137
CPC A61H 19/30; A61H 19/32; A61H 19/34;
A61H 19/40; A61H 19/44; A61H 19/50;
A61H 19/00; A61H 2201/1253; A61H
2205/082; A61H 2205/085; A61H 2205/087;
A61H 15/0085
See application file for complete search history.

(56) **References Cited**

U.S. PATENT DOCUMENTS

D319,881 S *	9/1991	Zuppan et al.	D24/214
D400,262 S *	10/1998	Hirakawa et al.	D24/215
D421,128 S *	2/2000	Fields et al.	D24/215
6,389,319 B1 *	5/2002	Lee	607/76
D487,592 S *	3/2004	Chang	D24/215

D629,528 S *	12/2010	Adkisson	D24/215
D675,747 S *	2/2013	Luying	D24/215
D676,142 S *	2/2013	Chen	D24/215
D716,963 S *	11/2014	Yosef et al.	D24/215
D717,458 S *	11/2014	Chen	D24/215
D723,178 S *	2/2015	Chen	D24/215

* cited by examiner

Primary Examiner — Sandra Snapp

(74) *Attorney, Agent, or Firm* — The IP Law Firm of Guy Levi, LLC; Guy Levi

(57) **CLAIM**

I claim, the ornamental design for a massager, as shown and described.

DESCRIPTION

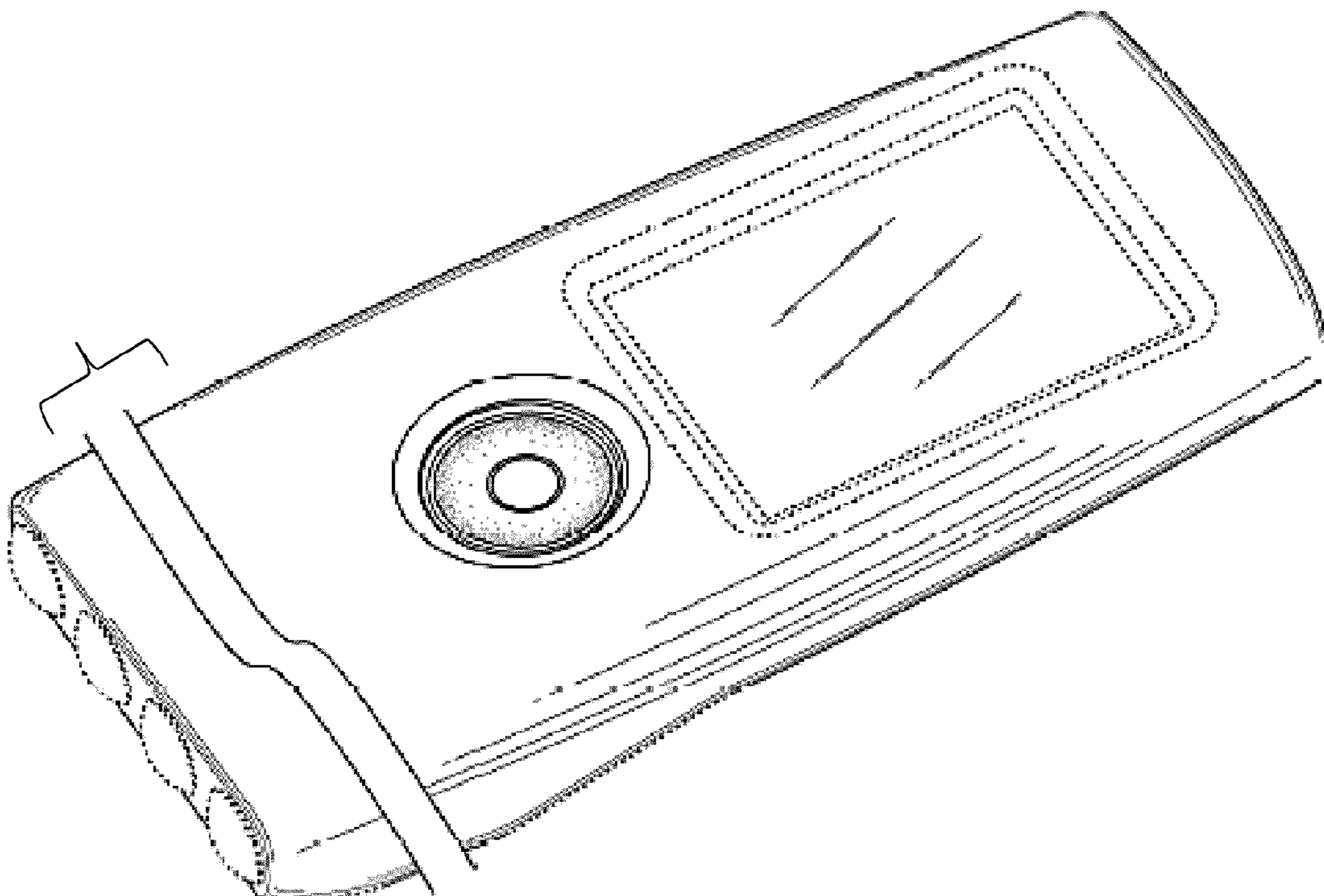
FIG. 1 shows a top front perspective view of an embodiment of the massager I claim.
 FIG. 2 shows a top rear perspective view thereof;
 FIG. 3 shows a top plan view thereof;
 FIG. 4 shows a bottom plan view thereof;
 FIG. 5 shows a side elevation view thereof;
 FIG. 6 shows a rear elevation view thereof; and,
 FIG. 7 shows a front elevation view thereof.

The broken line showing of the contacts (FIGS. 1, 3-5, and 7) plug-in ports (FIGS. 2, and 6), the massager housing back slope (FIGS. 1, 2, and 5), is for illustrative purposes only and forms no part of the claimed design.

The outermost dashed rectangle shows a portion of a display screen and forms no part of the claimed design.

The break lines shown in FIGS. 1-5, form no part of the claimed design except for indicating indeterminate length.

1 Claim, 4 Drawing Sheets



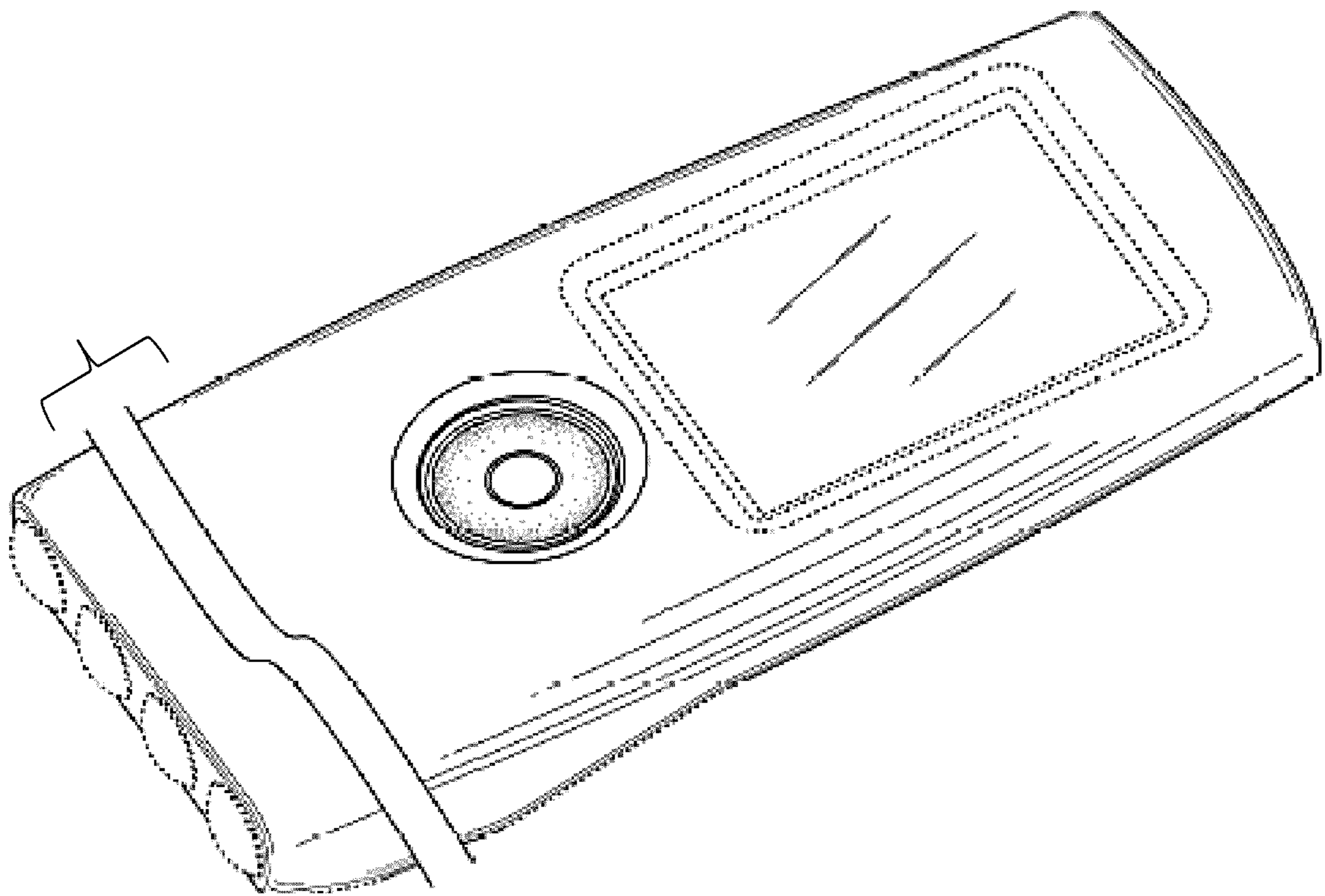


FIG. 1

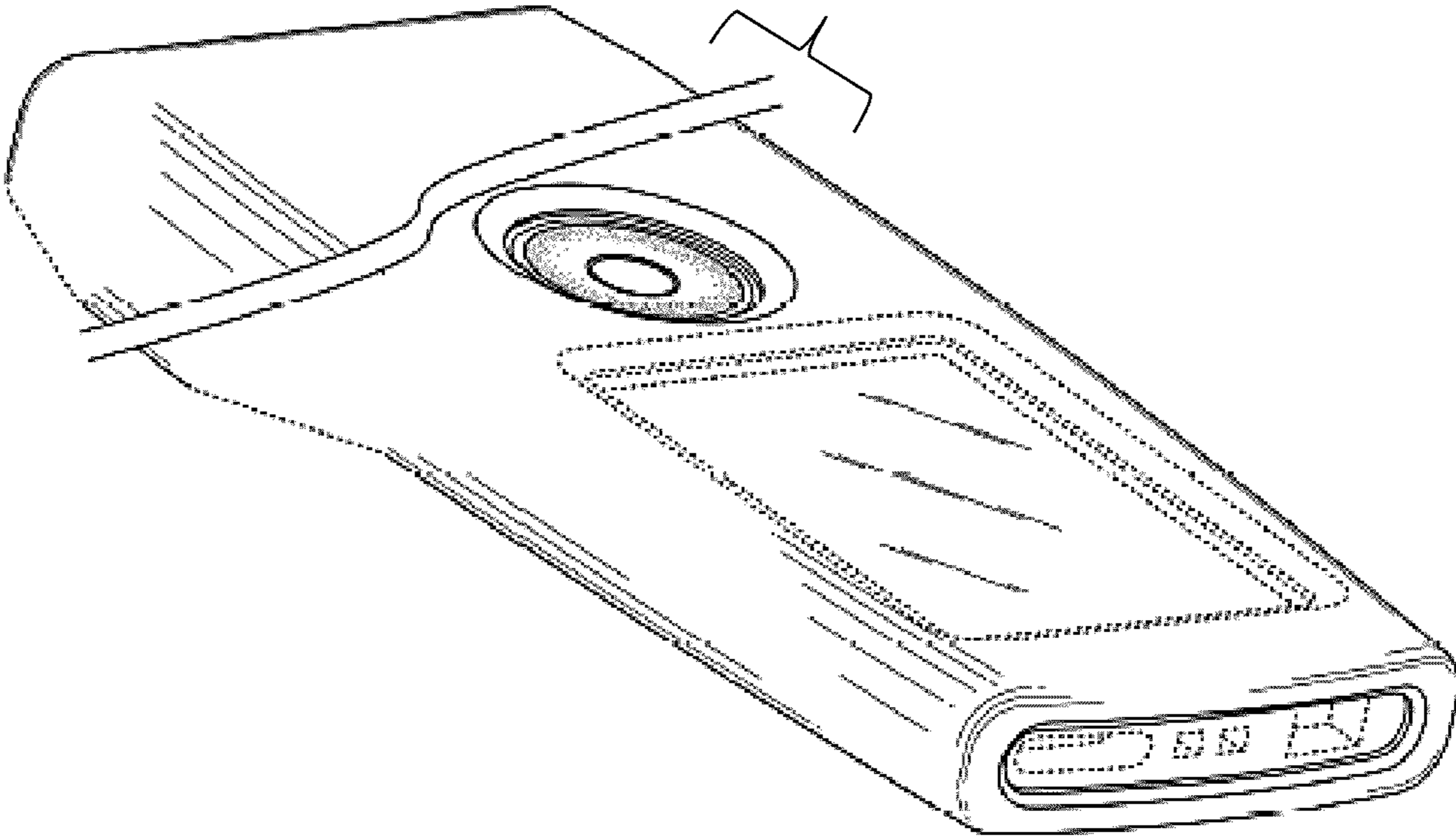


FIG. 2

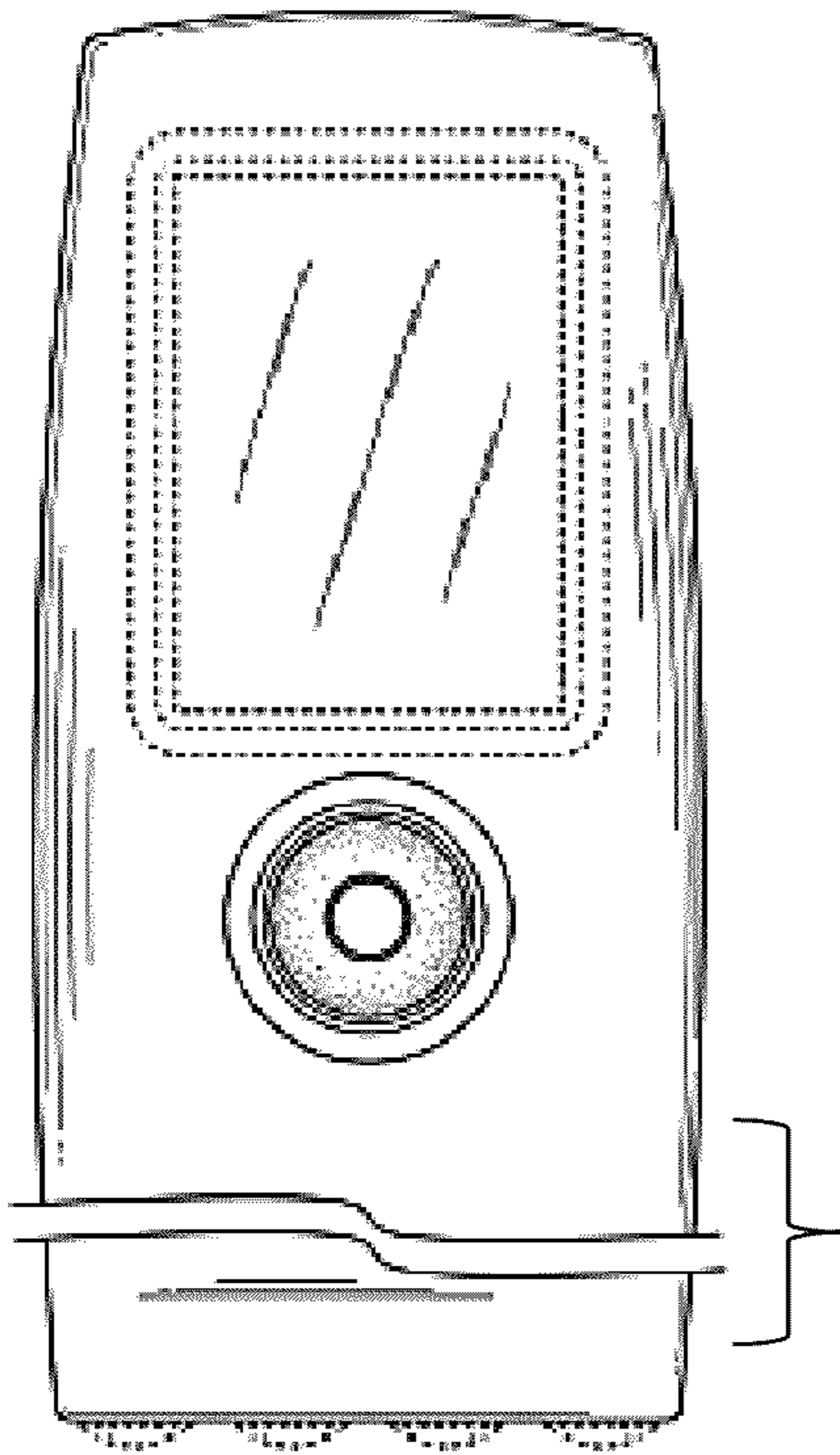


FIG. 3

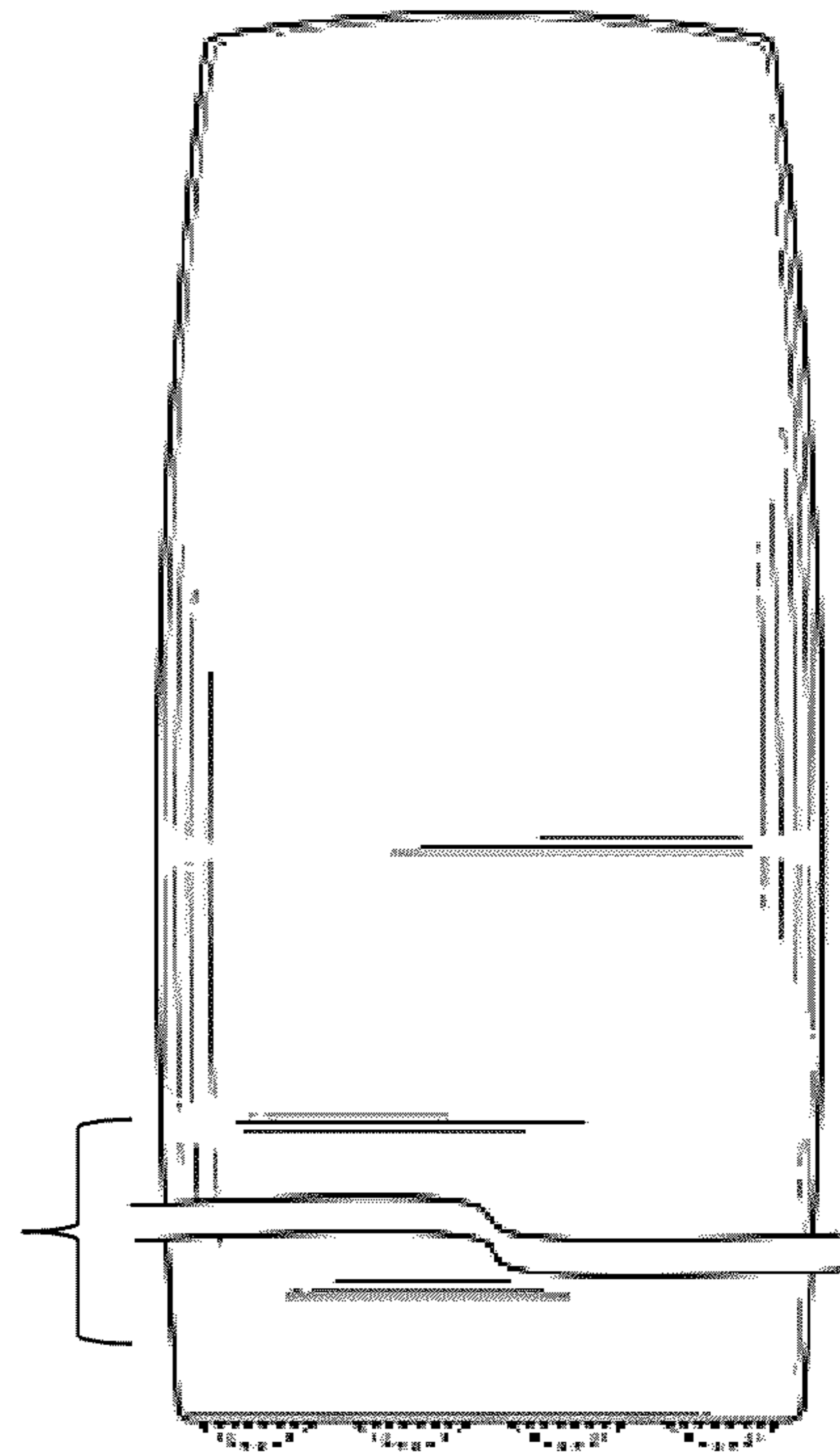


FIG. 4

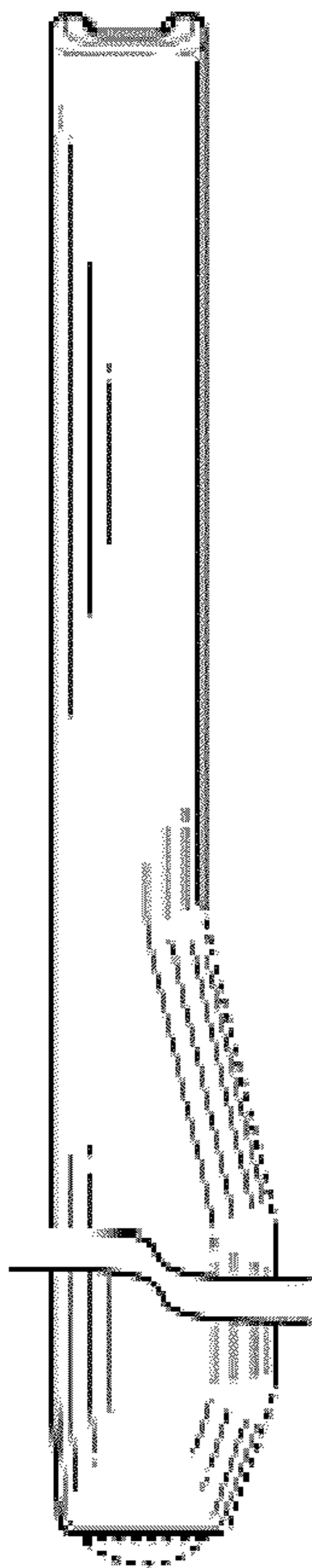


FIG. 5

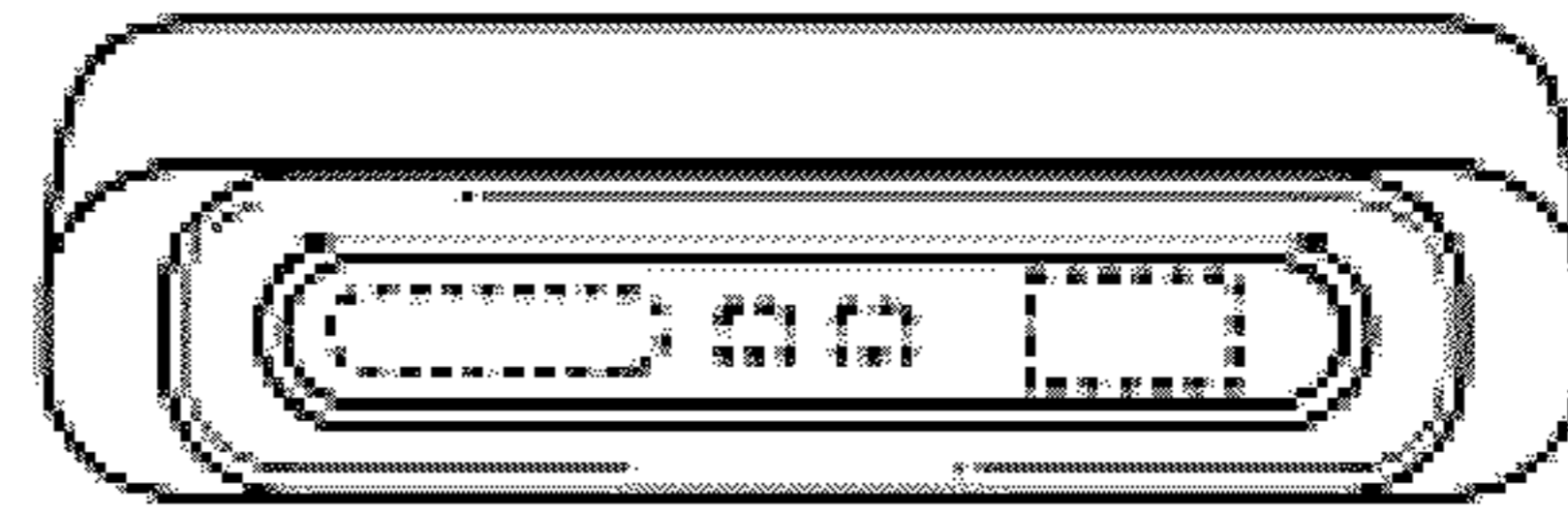


FIG. 6

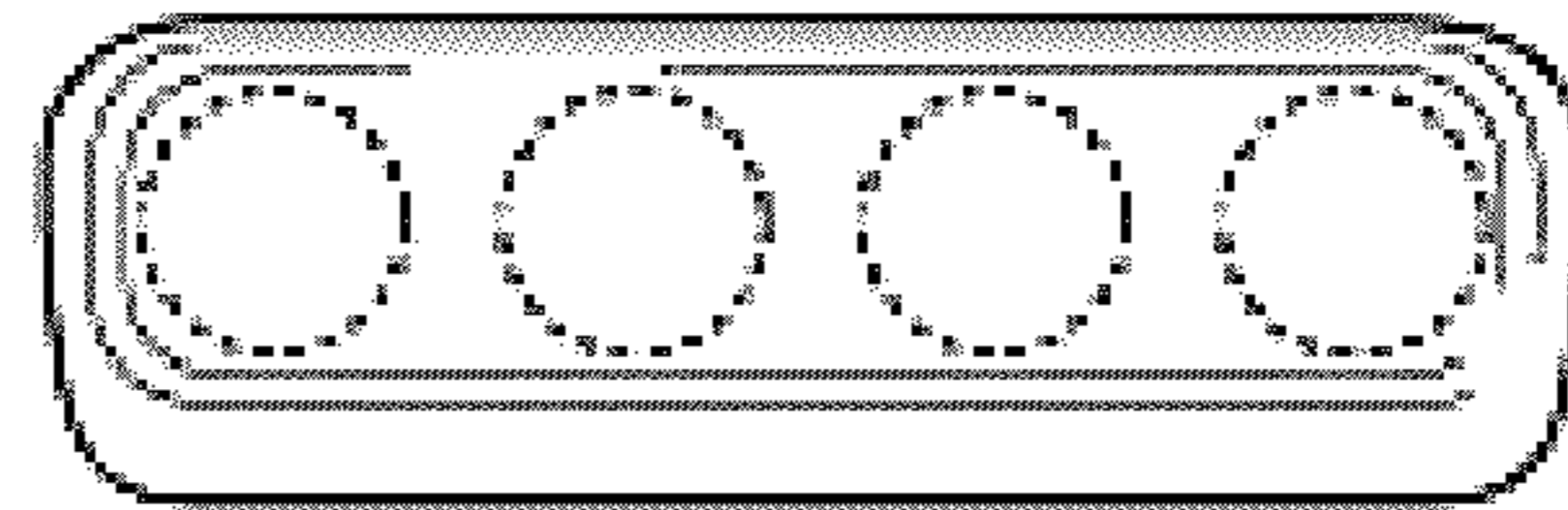


FIG. 7