



US00D732680S

(12) **United States Design Patent**
Taylor

(10) **Patent No.:** **US D732,680 S**
(45) **Date of Patent:** **** Jun. 23, 2015**

(54) **SELF-MASSAGE ROLLER WITH BOTTLE**

(71) Applicant: **Lani Taylor**, Santa Monica, CA (US)

(72) Inventor: **Lani Taylor**, Santa Monica, CA (US)

(**) Term: **14 Years**

(21) Appl. No.: **29/494,216**

(22) Filed: **Jun. 18, 2014**

(51) **LOC (10) Cl.** **28-03**

(52) **U.S. Cl.**
USPC **D24/211**

(58) **Field of Classification Search**
USPC D24/211–215; 601/114, 120, 121, 124,
601/125, 130, 131, 134, 135, 136, 137;
D28/91.2
CPC A61H 19/00; A61H 19/30; A61H 19/32;
A61H 19/34; A61H 19/40; A61H 19/44;
A61H 19/50

See application file for complete search history.

(56) **References Cited**

U.S. PATENT DOCUMENTS

3,548,814	A *	12/1970	Montgomery et al.	601/118
4,109,649	A *	8/1978	Iyomasa	601/121
D256,841	S *	9/1980	Corbett et al.	D24/211
D285,117	S *	8/1986	Snyder	D24/211
5,022,562	A	6/1991	Lurkis et al.		
D361,132	S *	8/1995	Lee	D24/200
5,873,478	A	2/1999	Sullivan et al.		
D417,319	S *	11/1999	Weiss, Jr.	D30/160
6,354,458	B1	3/2002	Policappelli		
D598,562	S *	8/2009	Chen	D24/211
D613,349	S *	4/2010	Meti	D21/662

D637,244	S *	5/2011	Davis et al.	D21/662
D647,980	S *	11/2011	Davis et al.	D21/662
D660,450	S *	5/2012	Johnson	D24/215
D674,107	S *	1/2013	Prudent et al.	D24/211
D682,436	S *	5/2013	Lowsky	D24/194
D693,934	S *	11/2013	Lin	D24/215
D711,547	S *	8/2014	Hardy et al.	D24/213
D713,050	S *	9/2014	Kao	D24/211
2003/0010744	A1	1/2003	Ma et al.		
2003/0225352	A1	12/2003	Eckers et al.		
2004/0243036	A1	12/2004	Ma Ki et al.		
2005/0085749	A1*	4/2005	Baerwalde et al.	601/15

* cited by examiner

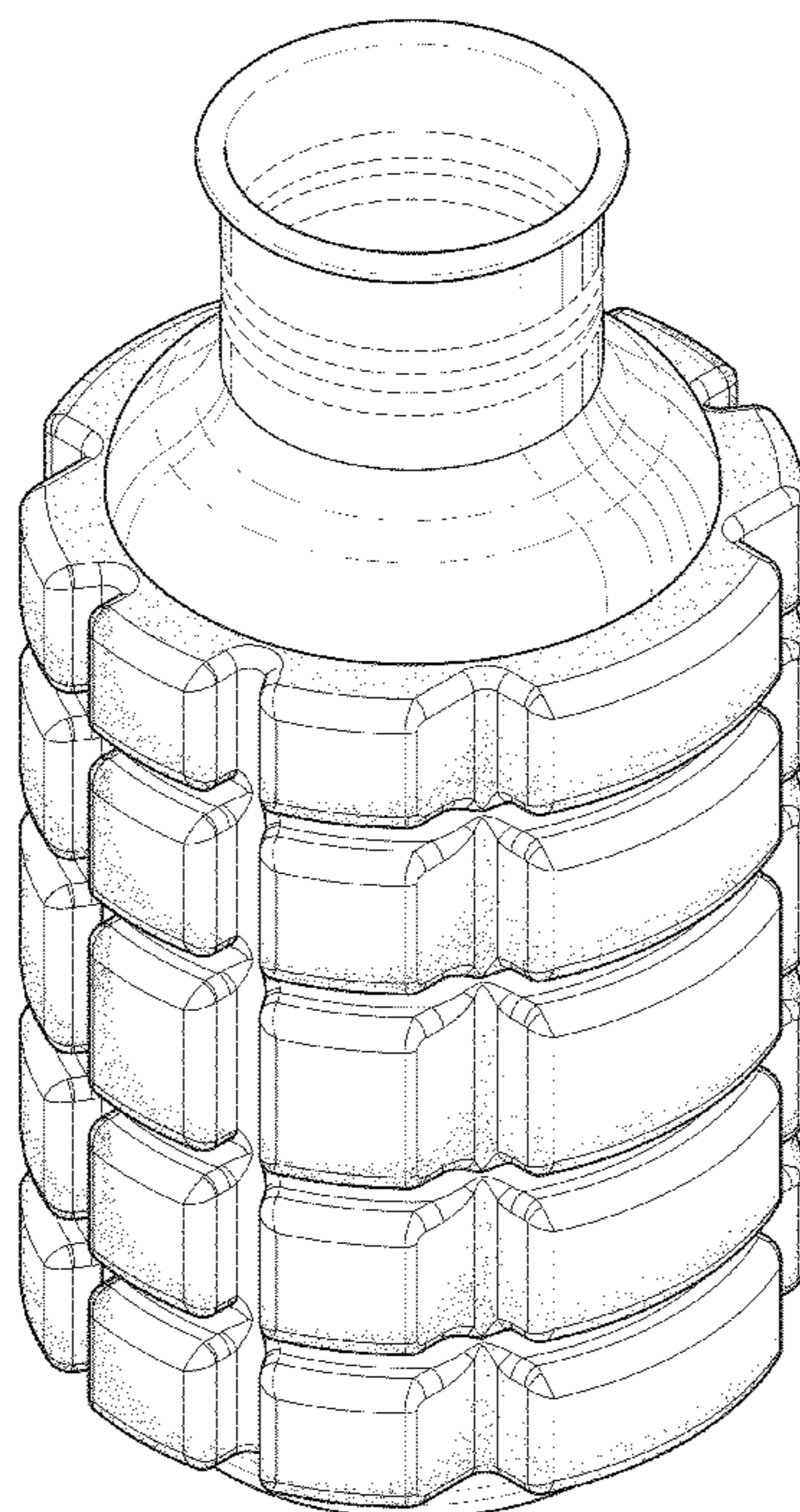
Primary Examiner — Sandra Snapp
(74) *Attorney, Agent, or Firm* — Cislo & Thomas, LLP

(57) **CLAIM**
The ornamental design for a self-massage roller with bottle, as shown and described.

DESCRIPTION

FIG. 1 is a perspective view of a self-massage roller with bottle.
FIG. 2 is a front view of the self-massage roller with bottle of FIG. 1. The rear view is identical to this front view.
FIG. 3 is a right side view of the self-massage roller with bottle of FIG. 1. The left side view is identical to this right side view.
FIG. 4 is a top view of the self-massage roller with bottle of FIG. 1; and,
FIG. 5 is a bottom view of the self-massage roller with bottle of FIG. 1.
The portions of the self-massage roller with bottle shown in broken lines form no part of the claimed design.

1 Claim, 5 Drawing Sheets



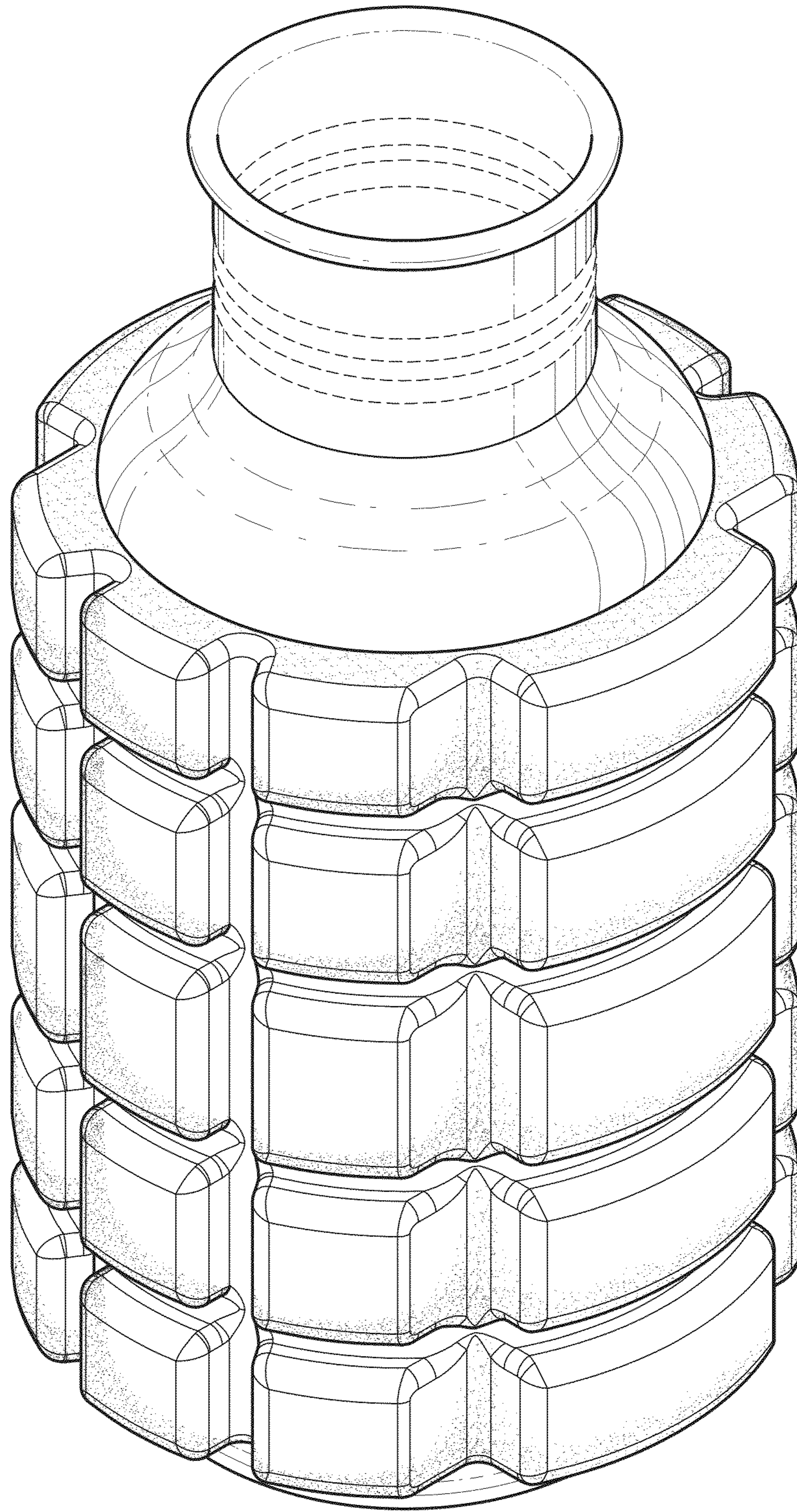


FIG. 1

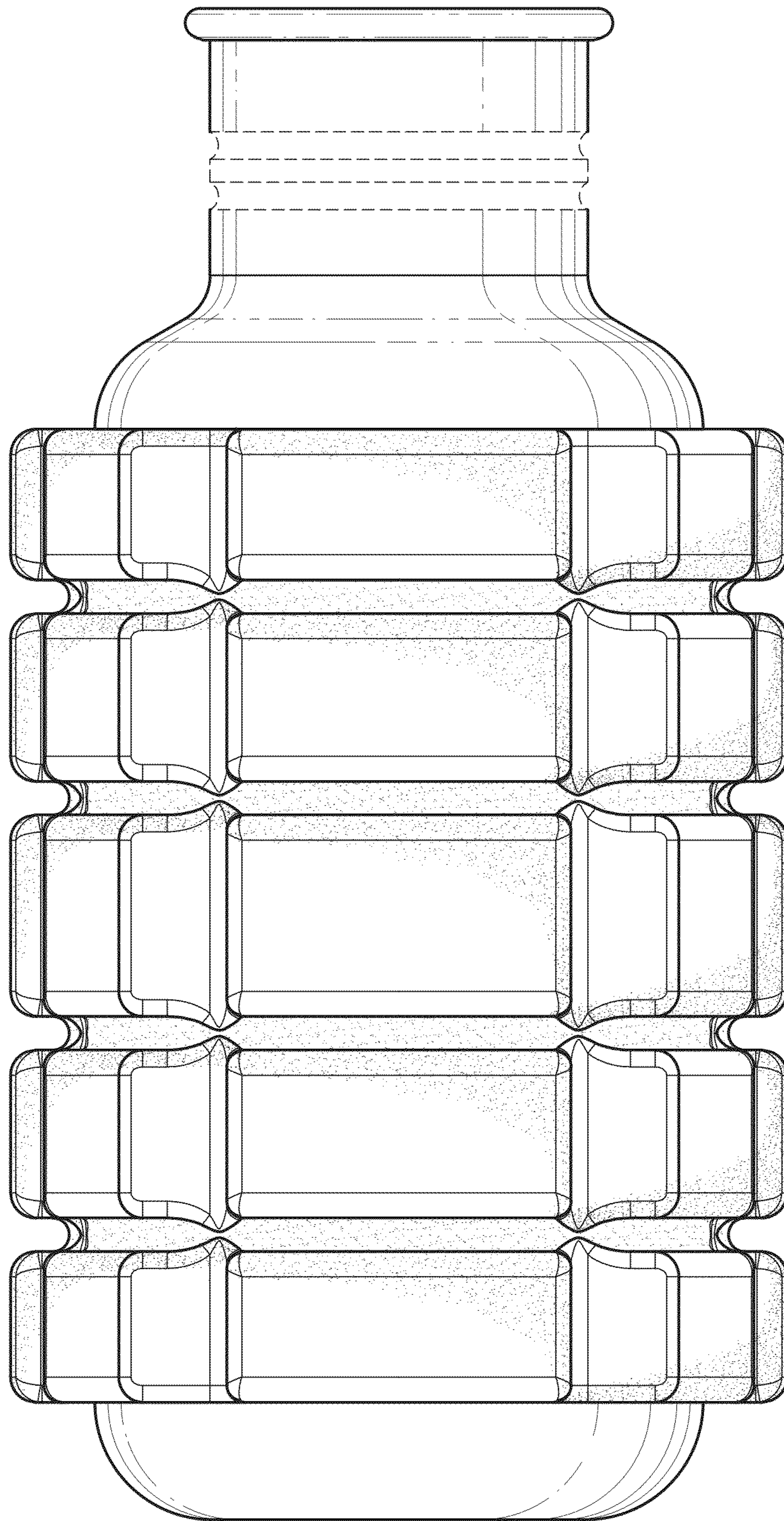


FIG. 2

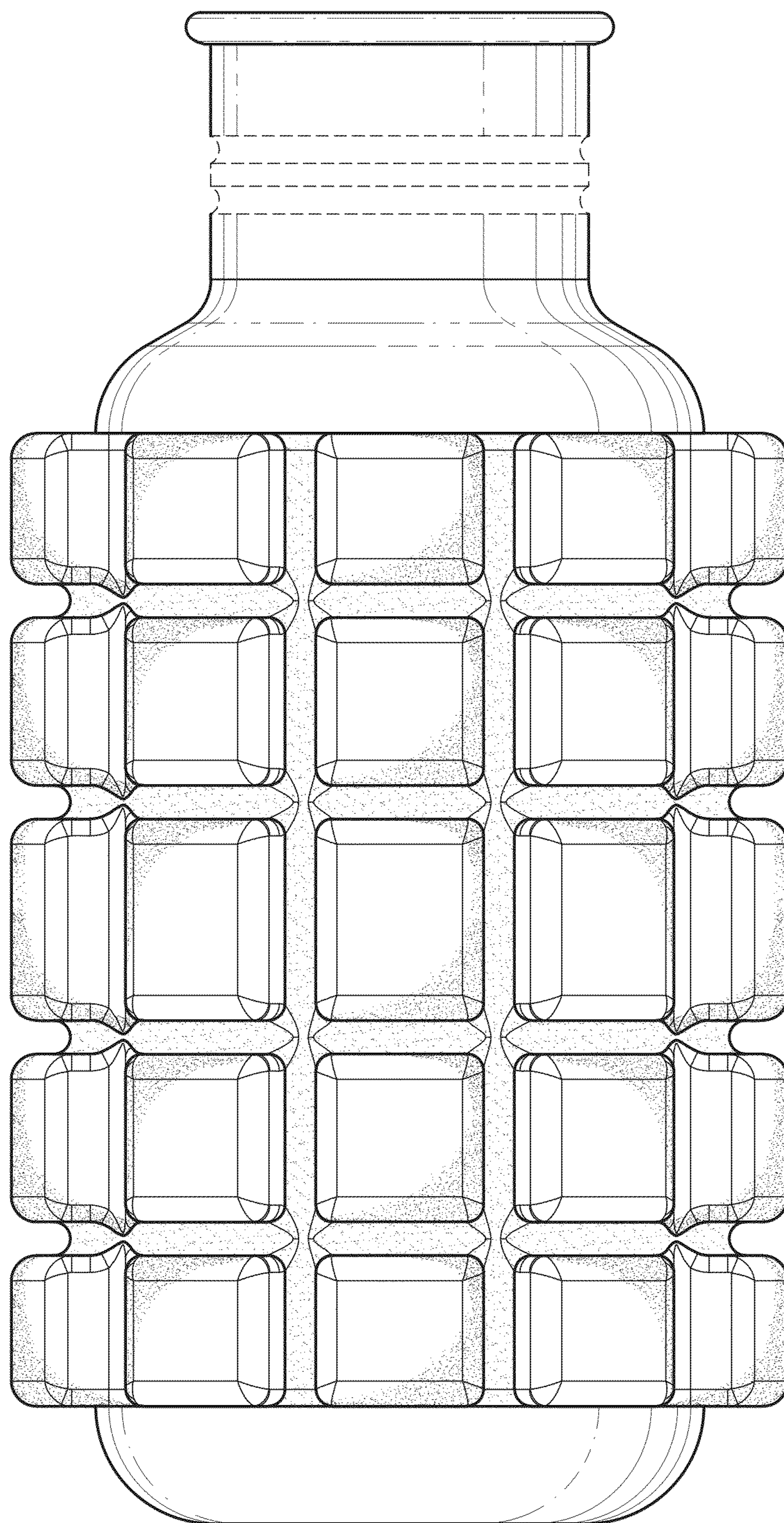


FIG. 3

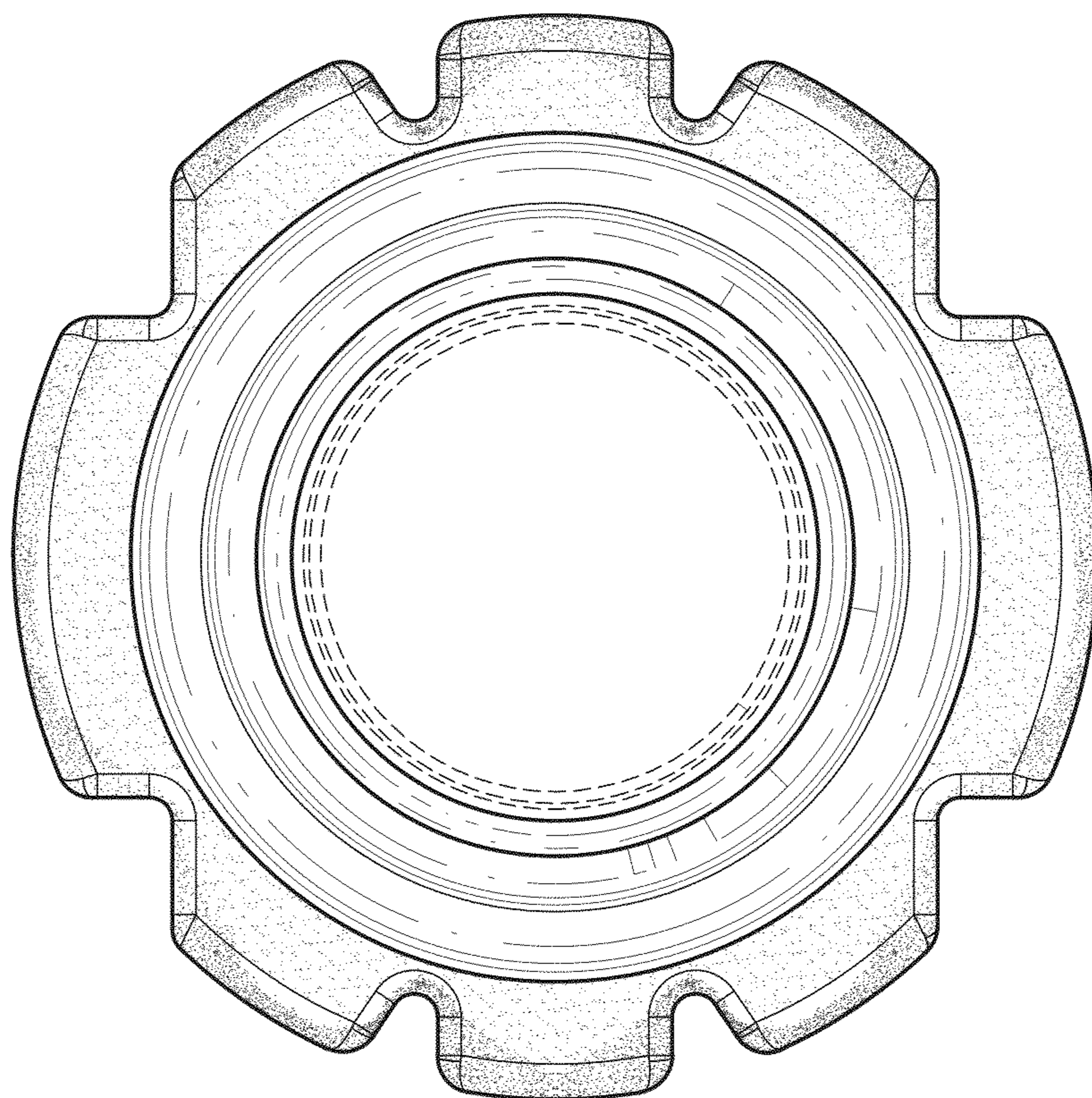


FIG. 4

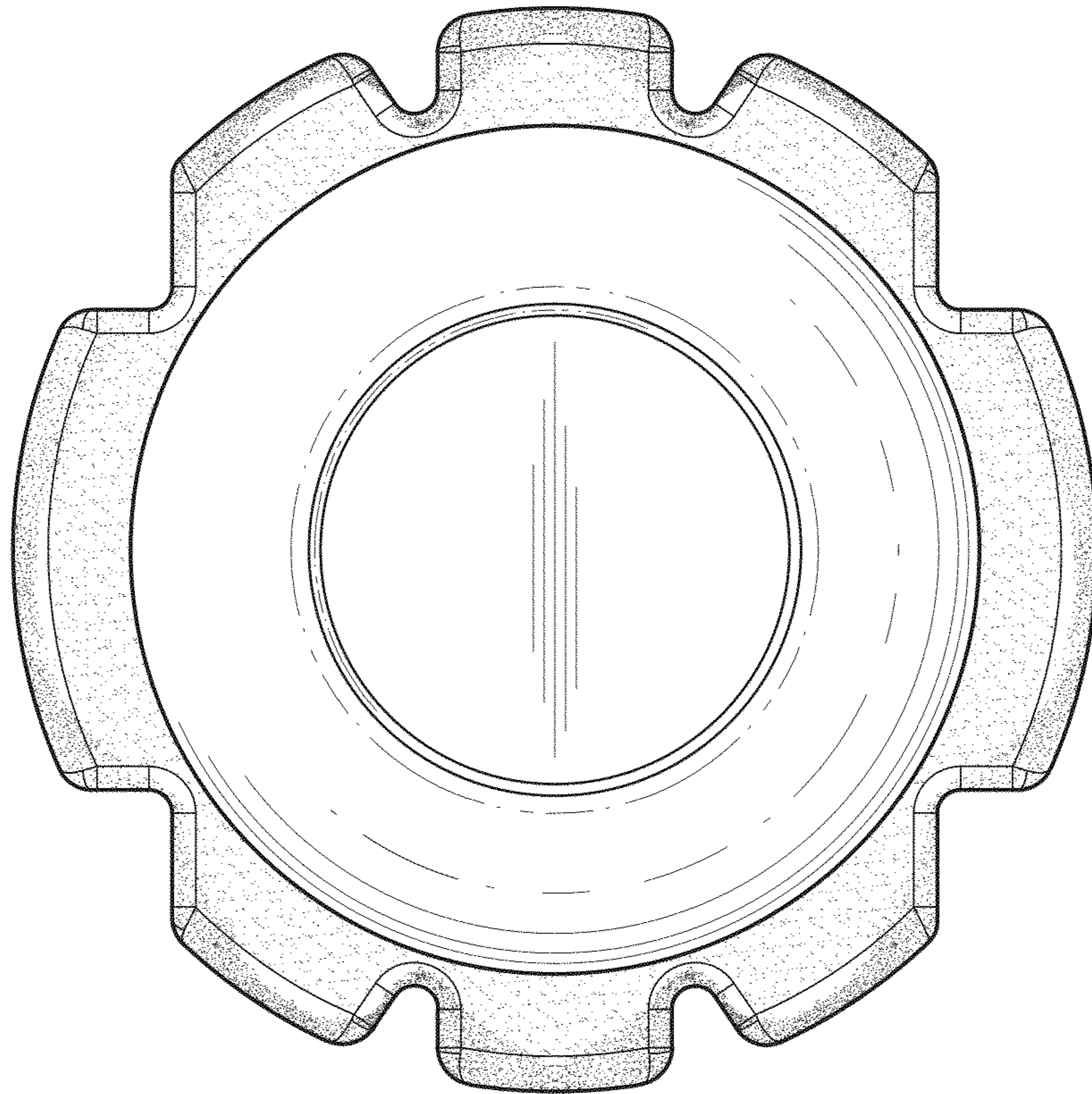


FIG. 5