



US00D732676S

(12) **United States Design Patent**  
**Prentice et al.**

(10) **Patent No.:** **US D732,676 S**  
(45) **Date of Patent:** **\*\* Jun. 23, 2015**

(54) **BABY BOTTLE**

(56) **References Cited**

(71) Applicant: **TOMY INTERNATIONAL, INC.**,  
Dyersville, IA (US)  
(72) Inventors: **Ruth Prentice**, Needham, MA (US);  
**Patrick Thrailkill**, Newton, MA (US)  
(73) Assignee: **TOMY INTERNATIONAL, LLC**,  
Dyersville, IA (US)  
(\*\*) Term: **14 Years**  
(21) Appl. No.: **29/508,973**  
(22) Filed: **Nov. 12, 2014**

U.S. PATENT DOCUMENTS

D441,087	S	*	4/2001	Johansen et al. ....	D24/197
D441,872	S	*	5/2001	Johansen et al. ....	D24/197
D478,669	S	*	8/2003	Wear .....	D24/197
D538,939	S	*	3/2007	Conaway et al. ....	D24/197
D626,417	S	*	11/2010	Kim .....	D9/503
D641,887	S	*	7/2011	Sirota .....	D24/197
D674,101	S	*	1/2013	Smith .....	D24/197
D674,102	S	*	1/2013	Smith .....	D24/197
D681,836	S	*	5/2013	Stephan et al. ....	D24/197
D682,701	S	*	5/2013	Stephan et al. ....	D9/539
D682,702	S	*	5/2013	Stephan et al. ....	D9/539
D696,410	S	*	12/2013	Tollman .....	D24/197
2012/0152881	A1	*	6/2012	Py et al. ....	215/11.4

\* cited by examiner

*Primary Examiner* — Robert M Spear  
*Assistant Examiner* — Kendra L Hamilton  
(74) *Attorney, Agent, or Firm* — Michael Best & Friedrich LLP

**Related U.S. Application Data**

(62) Division of application No. 29/430,202, filed on Aug. 22, 2012, now Pat. No. Des. 720,464.

(51) **LOC (10) Cl.** ..... **07-01**

(52) **U.S. Cl.**  
USPC ..... **D24/197**

(58) **Field of Classification Search**  
USPC ..... 220/694, 703, 227, 235, 714, 727, 745;  
D24/197, 193, 207, 129, 127, 196;  
D9/452; 215/11.1, 11.2, 11.3, 11.4,  
215/11.5, 11.6, 344  
CPC ..... A61J 9/00

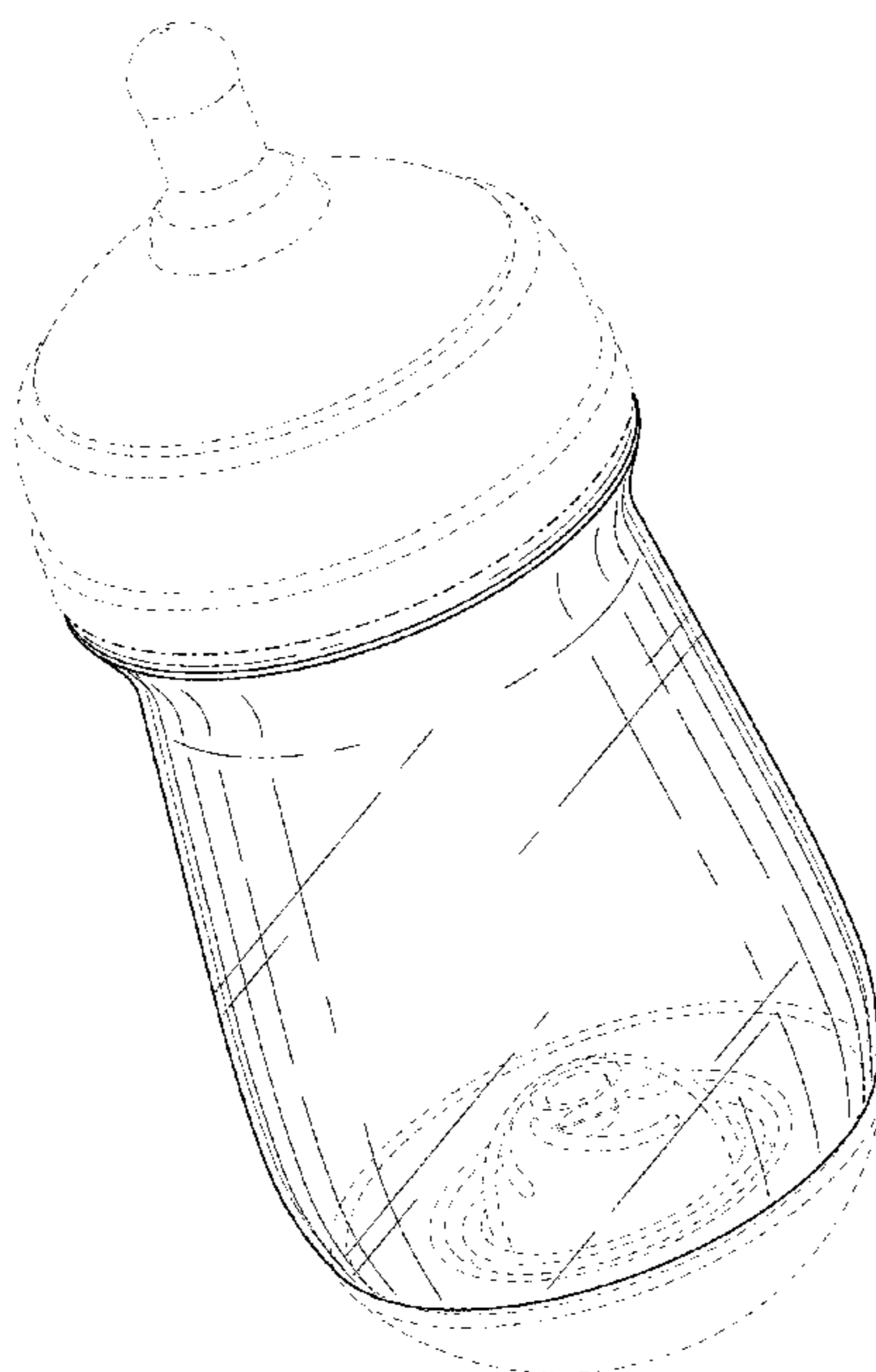
See application file for complete search history.

(57) **CLAIM**  
We claim the ornamental design for a baby bottle, as shown and described.

**DESCRIPTION**

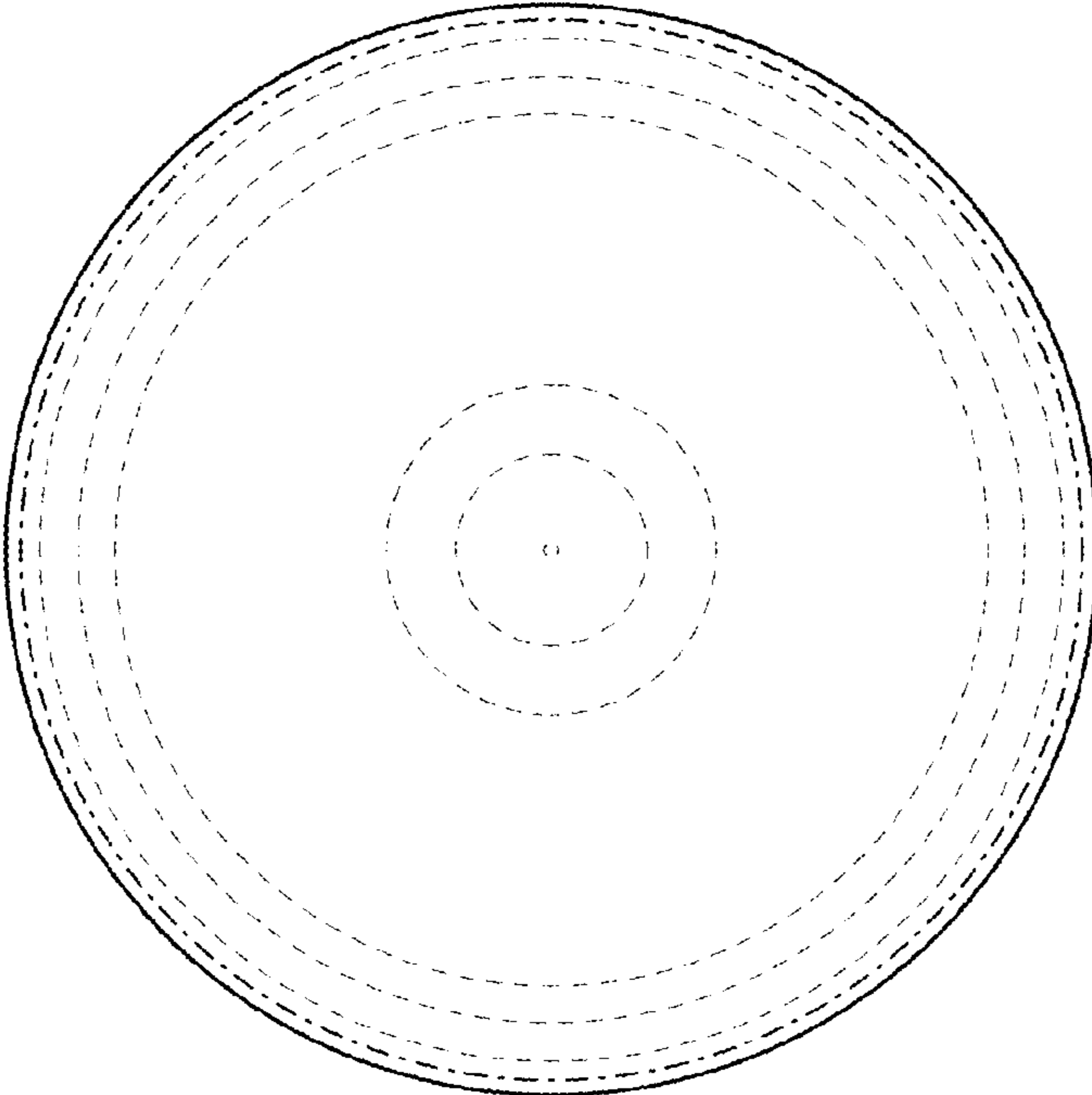
FIG. 1 is a perspective view of a baby bottle.  
FIG. 2 is a top view of the baby bottle shown in FIG. 1.  
FIG. 3 is a bottom view of the baby bottle shown in FIG. 1.  
FIG. 4 is a left side view of the baby bottle shown in FIG. 1.  
FIG. 5 is a right side view of the baby bottle shown in FIG. 1.  
FIG. 6 is a front view of the baby bottle shown in FIG. 1; and,  
FIG. 7 is a rear view of the baby bottle shown in FIG. 1.  
Broken lines illustrating the environment form no part of the claimed design.

**1 Claim, 4 Drawing Sheets**

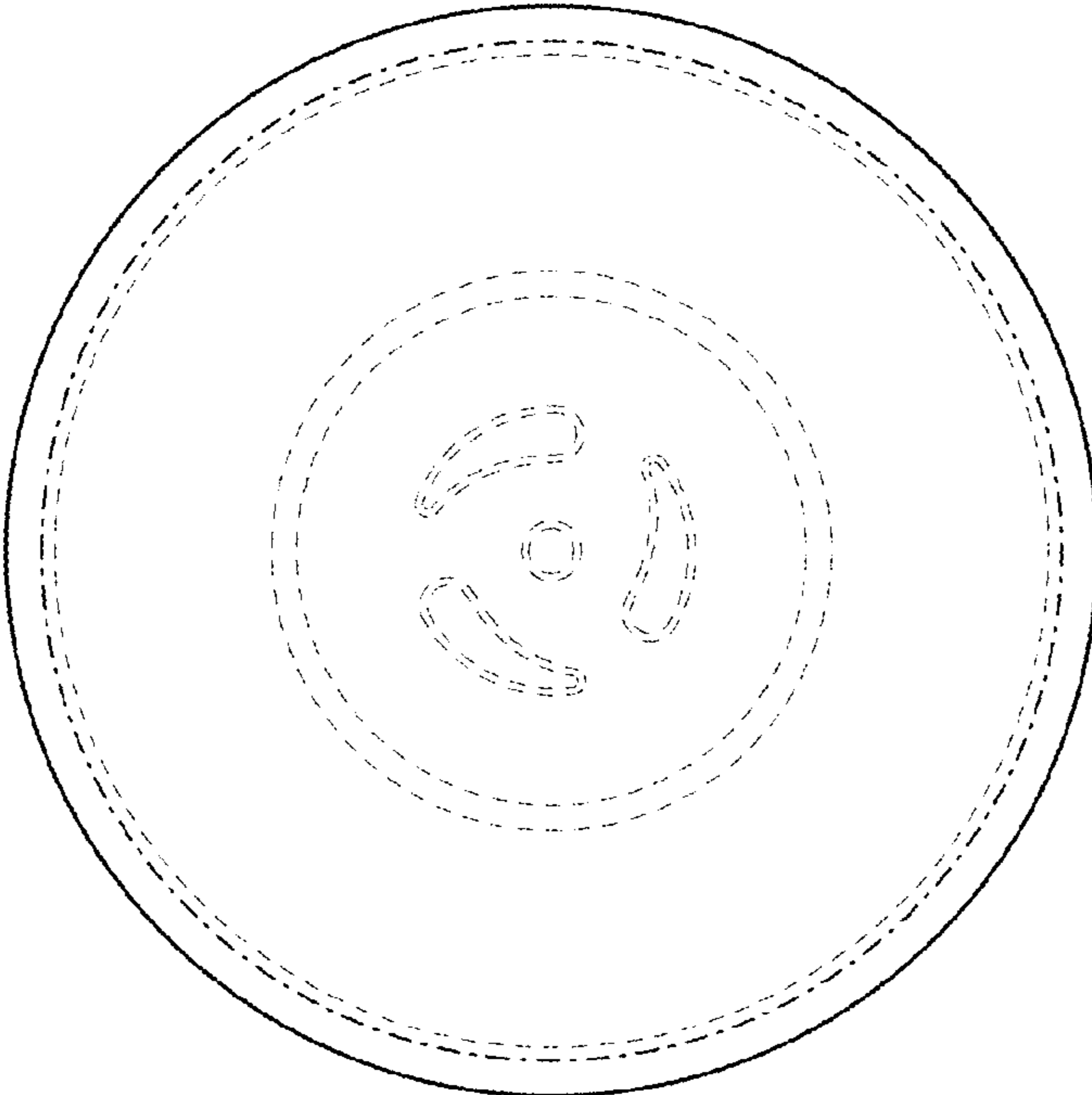




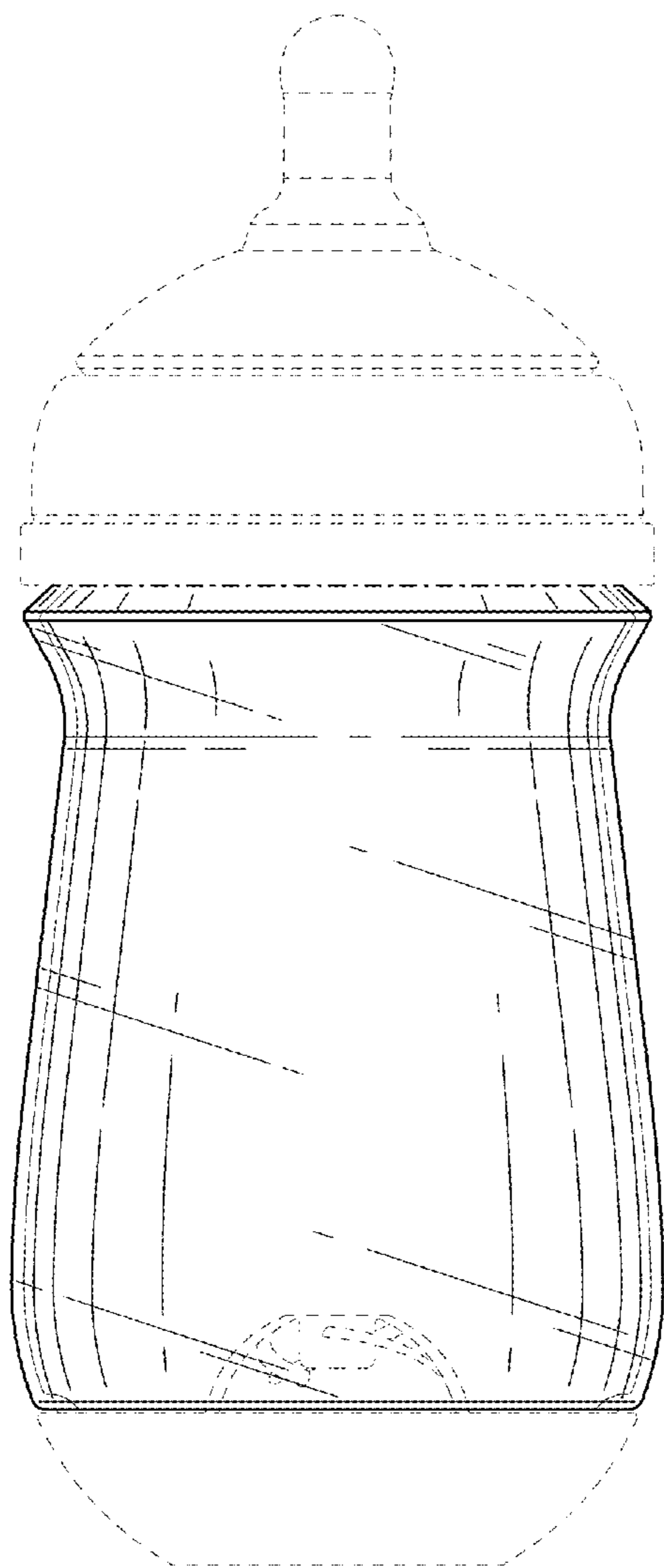
**FIG. 1**



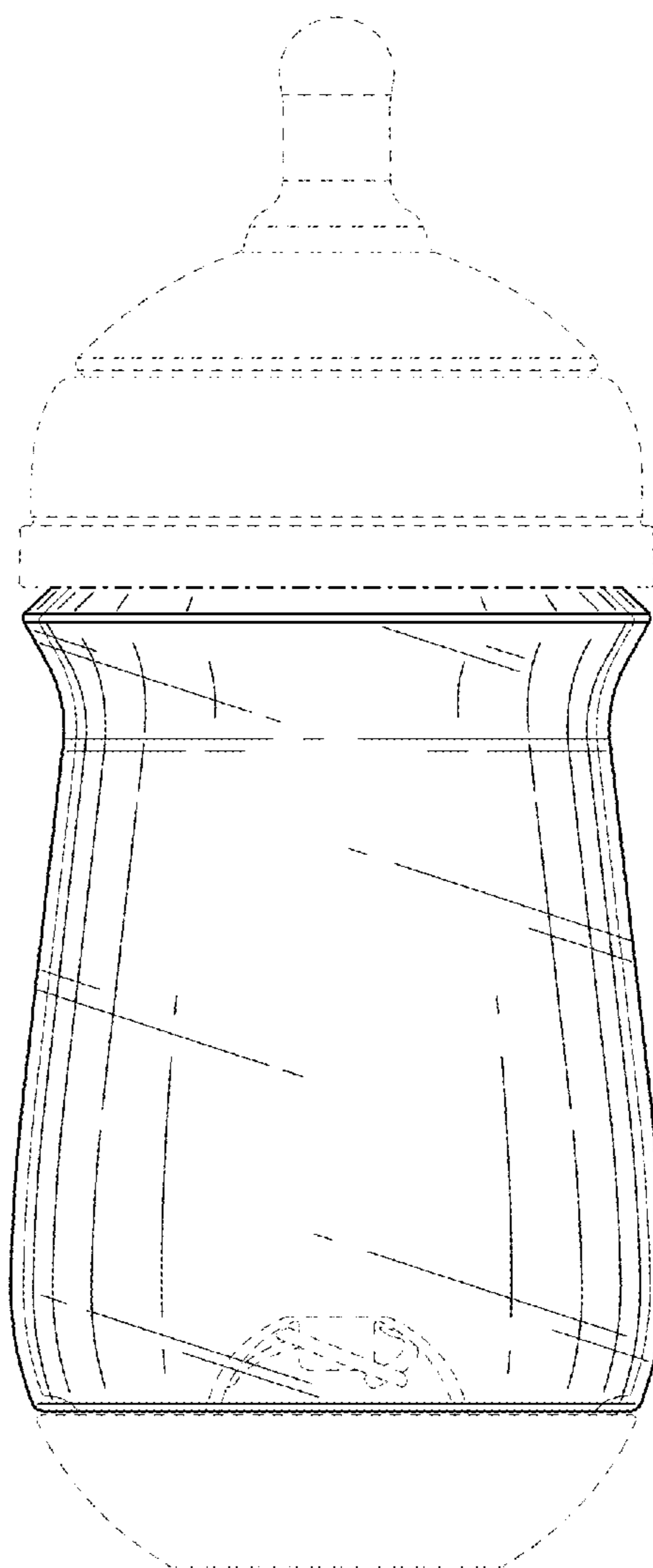
**FIG. 2**



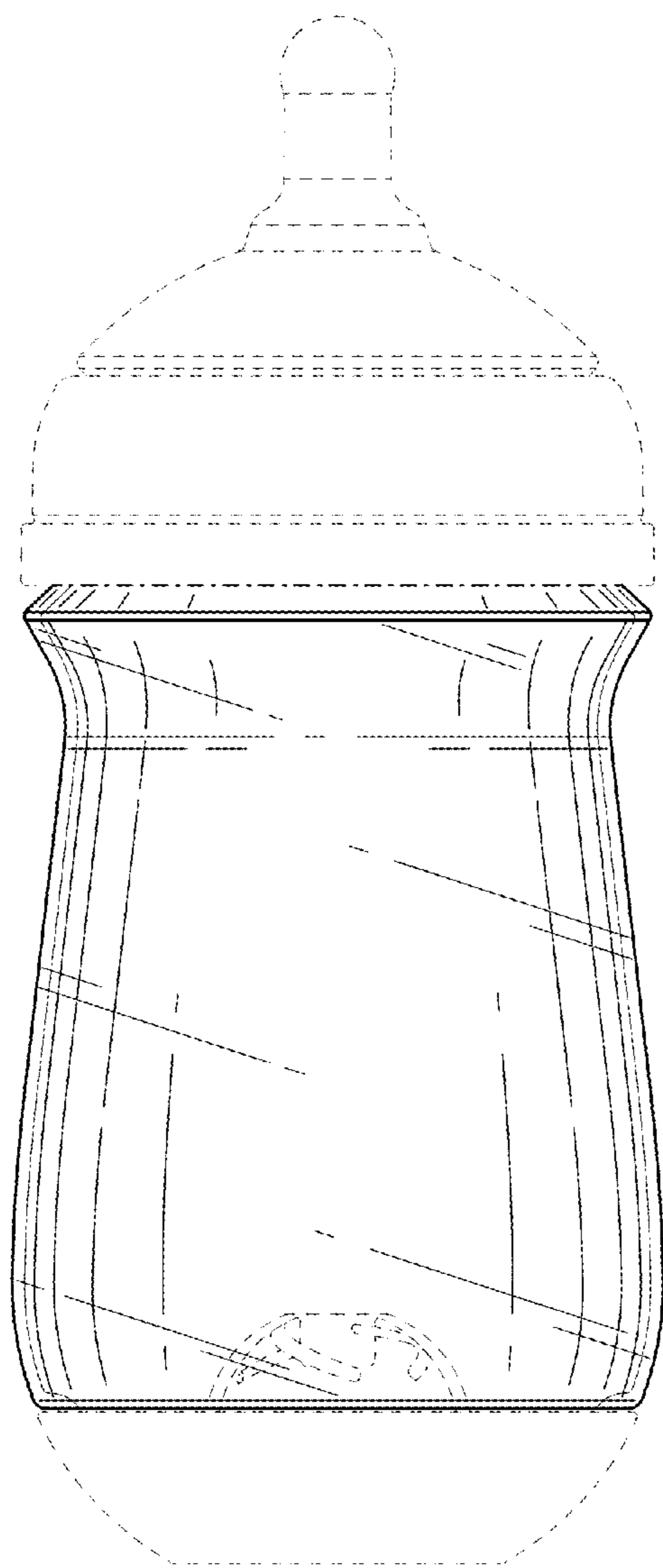
**FIG. 3**



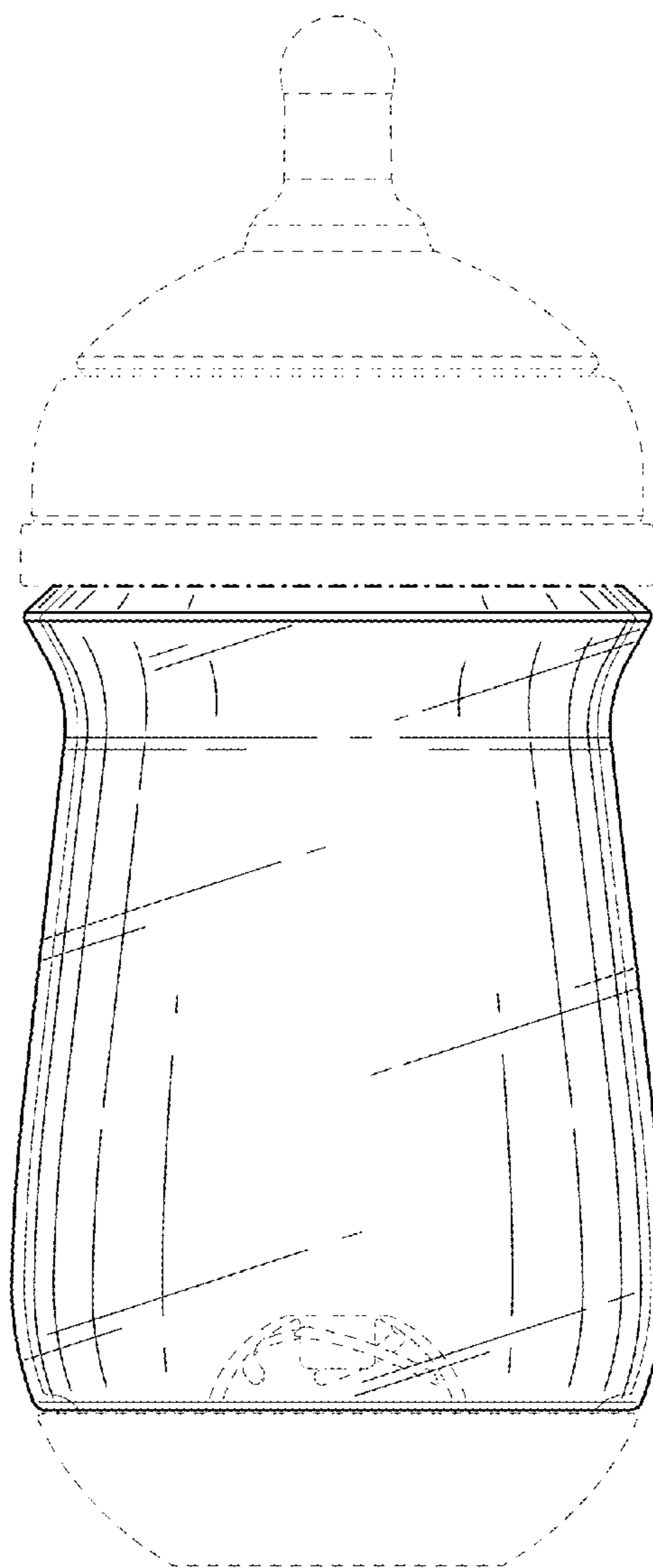
**FIG. 4**



**FIG. 5**



**FIG. 6**



**FIG. 7**