



US00D732675S

(12) **United States Design Patent**  
**Granillo et al.**

(10) **Patent No.:** **US D732,675 S**  
(45) **Date of Patent:** **\*\* Jun. 23, 2015**

(54) **MOUTHGUARD PACIFIER WITH  
REMOVABLE MOUTHGUARD STRAP**

(71) Applicants: **Kevin Andrew Granillo**, Murrieta, CA  
(US); **Jaclyn Alise Granillo**, Murrieta,  
CA (US)

(72) Inventors: **Kevin Andrew Granillo**, Murrieta, CA  
(US); **Jaclyn Alise Granillo**, Murrieta,  
CA (US)

(\*\*) Term: **14 Years**

(21) Appl. No.: **29/463,413**

(22) Filed: **Nov. 15, 2013**

(51) **LOC (10) Cl.** ..... **24-04**

(52) **U.S. Cl.**  
USPC ..... **D24/194**

(58) **Field of Classification Search**  
USPC ..... 606/234, 235, 236; D24/193, 194, 195,  
D24/196, 115, 117, 199, 214; D21/625,  
D21/627, 659; 215/11.1, 11.2, 11.3, 11.4,  
215/11.5, 11.6; D30/160; D1/106, 125,  
D1/199; 119/707, 709  
CPC ..... A61J 17/00; A61J 17/02  
See application file for complete search history.

(56) **References Cited**

**U.S. PATENT DOCUMENTS**

2,608,692	A *	9/1952	Berg	2/304
2,811,949	A	11/1957	Rothbard	
3,392,729	A *	7/1968	Lenoir	606/234
D225,039	S *	10/1972	Sauritis	D24/195
4,765,037	A	8/1988	Perry	
4,903,698	A	2/1990	Huber	
D310,716	S	9/1990	Trask	
5,156,617	A	10/1992	Reid	
D341,891	S	11/1993	Held	
D349,180	S *	8/1994	Oldham	D2/624
5,948,003	A	9/1999	Shefflin	
6,263,702	B1	7/2001	Lo	
6,434,797	B1	8/2002	Sagman	

(Continued)

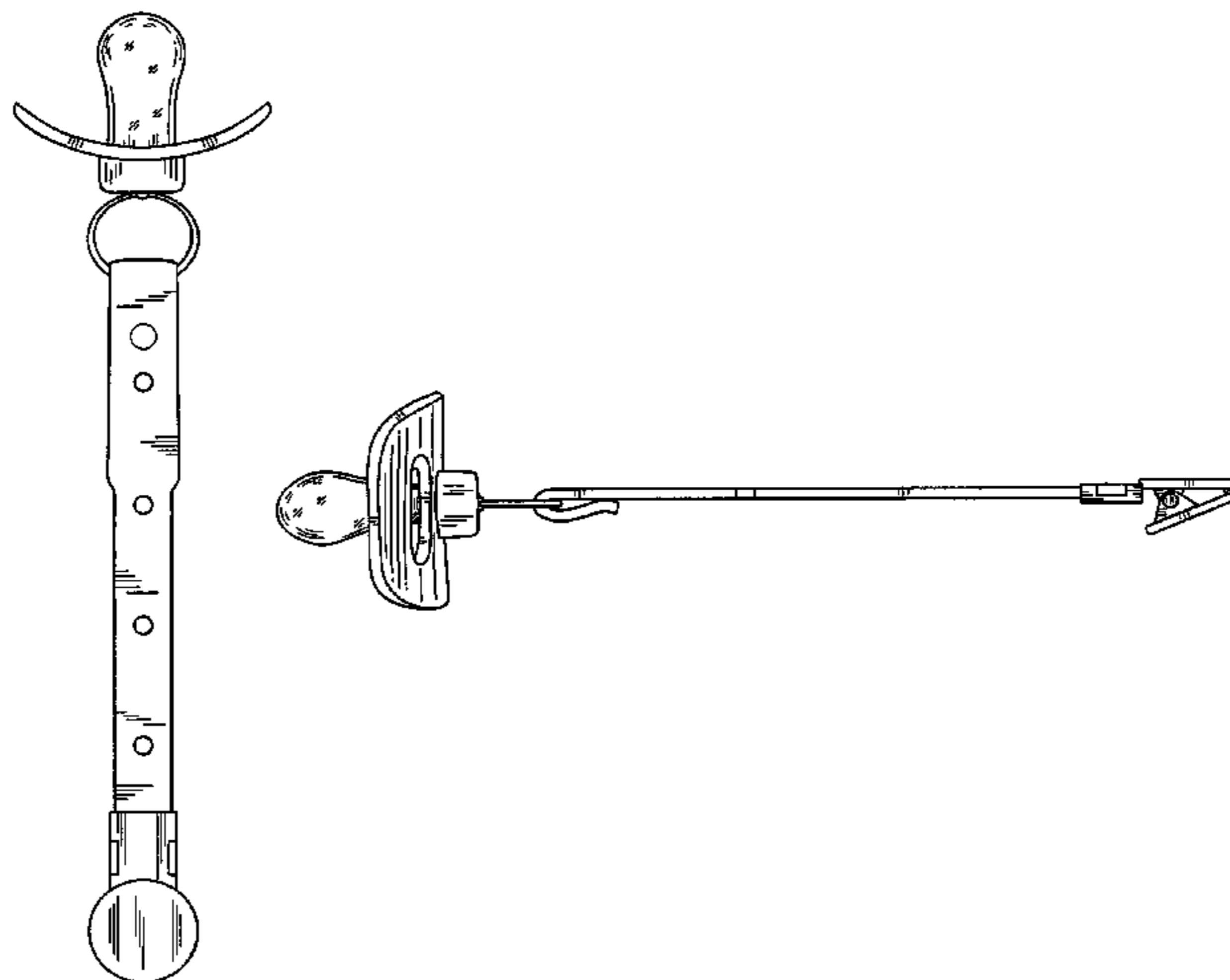
*Primary Examiner* — Robert M Spear  
*Assistant Examiner* — Kendra L Hamilton

(57) **CLAIM**  
The ornamental design for a mouthguard pacifier with remov-  
able mouthguard strap, as shown and described.

**DESCRIPTION**

FIG. 1 is a top perspective view of a mouthguard pacifier with removable mouthguard strap showing our new design;  
FIG. 2 is a bottom perspective view of the mouthguard paci-  
fier with removable mouthguard strap;  
FIG. 3 is a front view of the mouthguard pacifier with remov-  
able mouthguard strap;  
FIG. 4 is a top plan view of the mouthguard pacifier with  
removable mouthguard strap;  
FIG. 5 is a bottom plan view of the mouthguard pacifier with  
removable mouthguard strap;  
FIG. 6 is a left side view of the mouthguard pacifier with  
removable mouthguard strap, the right side view being a  
mirror image of the left side view shown in FIG. 6;  
FIG. 7 is an enlarged fragmentary perspective view of the clip  
element of the pacifier shown in FIG. 6, shown separated from  
the pacifier for clarity of disclosure;  
FIG. 8 is an exploded, top perspective view showing the  
design of FIG. 1 wherein the removable mouthguard strap and  
the mouthguard pacifier are detached;  
FIG. 9 is an exploded, bottom perspective view showing the  
design of FIG. 2 wherein the removable mouthguard strap and  
the mouthguard pacifier are detached;  
FIG. 10 is an exploded, top plan view showing the design of  
FIG. 4 wherein the removable mouthguard strap and the  
mouthguard pacifier are detached;  
FIG. 11 is an exploded, bottom plan view showing the design  
of FIG. 5 wherein the removable mouthguard strap is  
detached from the mouthguard pacifier;  
FIG. 12 is an exploded, left side view showing the design of  
FIG. 6 wherein the removable mouthguard strap and the  
mouthguard pacifier are detached, the right side view being a  
mirror image of the left side view shown in FIG. 12; and,  
FIG. 13 is a rear view of the mouthguard pacifier.

**1 Claim, 6 Drawing Sheets**



(56)

**References Cited**

U.S. PATENT DOCUMENTS

D488,288 S *	4/2004	Eggers .....	D2/624	D666,730 S *	9/2012	Del Solar et al. ....	D24/194
D512,910 S *	12/2005	Haslam .....	D9/434	D671,223 S	11/2012	Swern	
D558,885 S	1/2008	Trizzino		D685,256 S *	7/2013	Funger .....	D8/395
D610,691 S *	2/2010	Benedetto .....	D24/194	D690,427 S *	9/2013	Granillo et al. ....	D24/194
D611,678 S *	3/2010	Bailey .....	D2/624	2005/0257353 A1	11/2005	Rohrig	
D614,946 S *	5/2010	Herman .....	D8/395	2010/0082063 A1 *	4/2010	Yacktman et al. ....	606/234
D621,128 S *	8/2010	Glover .....	D2/624	2011/0266319 A1 *	11/2011	Jaegar-Waldau et al. ....	224/269
8,011,069 B1 *	9/2011	Klein .....	24/302	2012/0006869 A1 *	1/2012	McCarty et al. ....	224/269
D649,866 S *	12/2011	Roehrig et al. ....	D8/395	2012/0083842 A1 *	4/2012	Barton .....	606/235
				2013/0192000 A1 *	8/2013	Posner .....	5/658
				2014/0005722 A1 *	1/2014	Whelan .....	606/234
				2014/0257388 A1 *	9/2014	Dunn et al. ....	606/236

\* cited by examiner

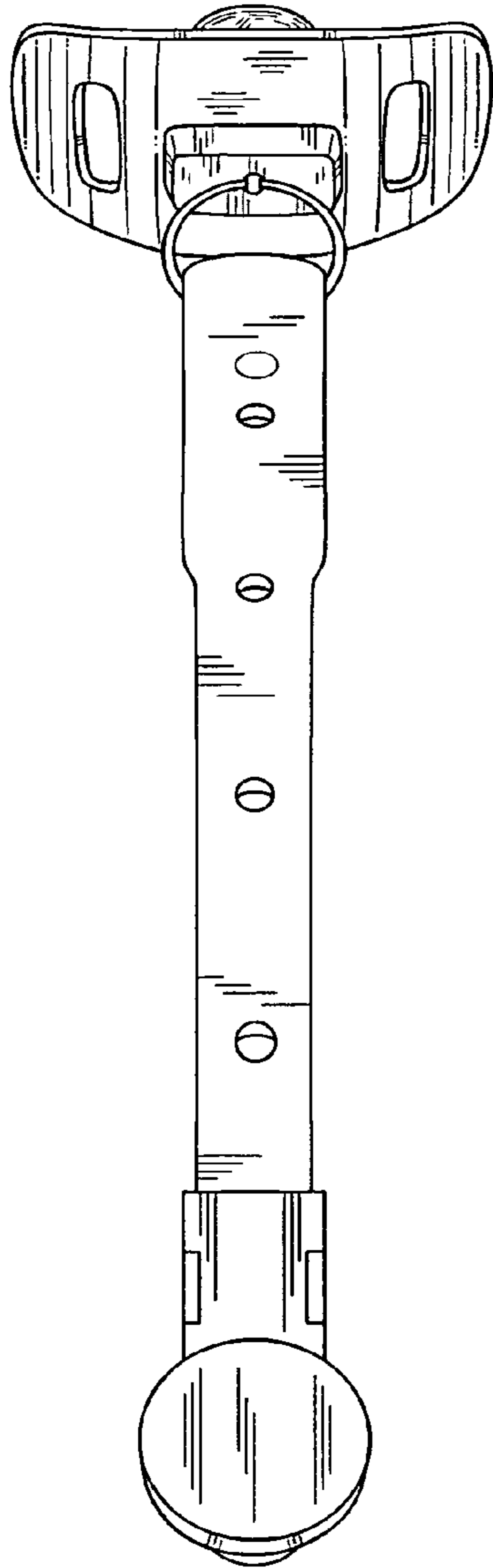


FIG. 1

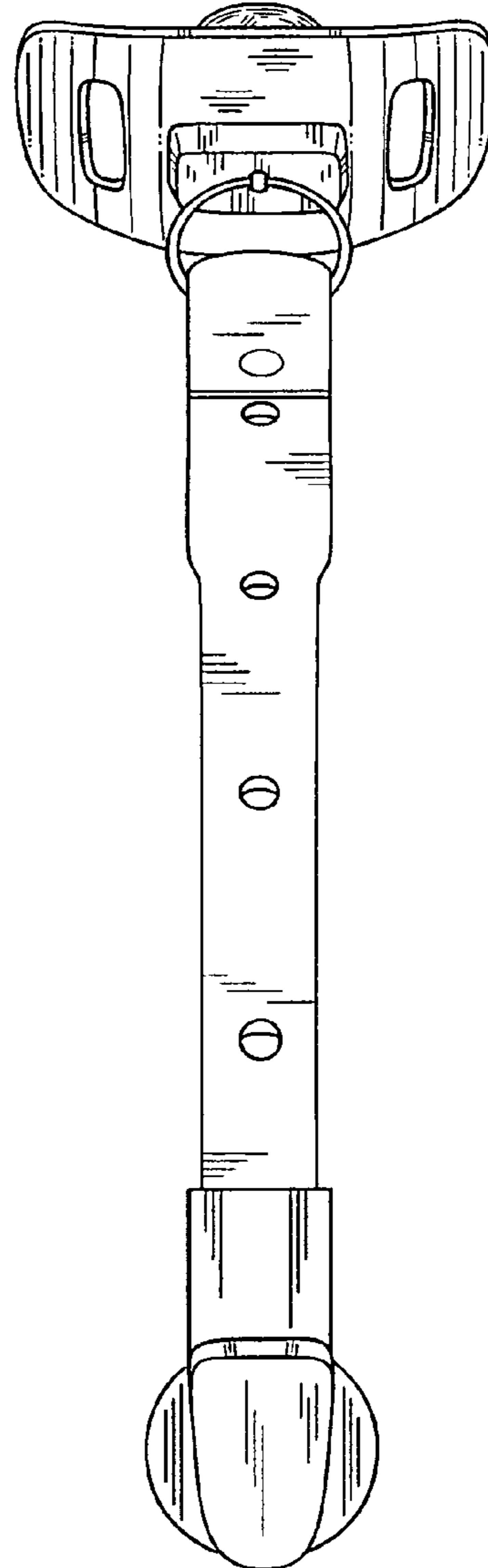


FIG. 2

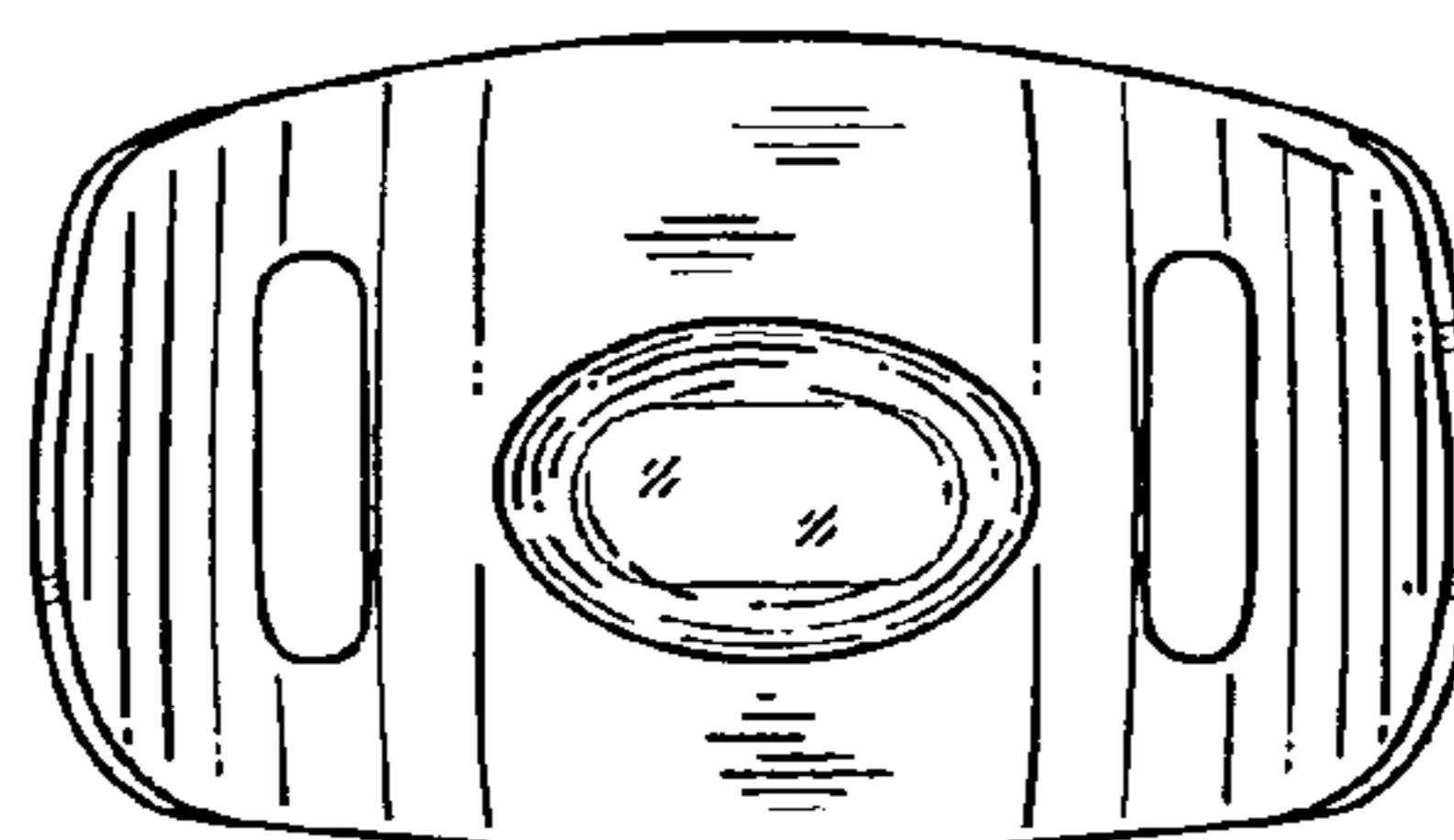


FIG. 3

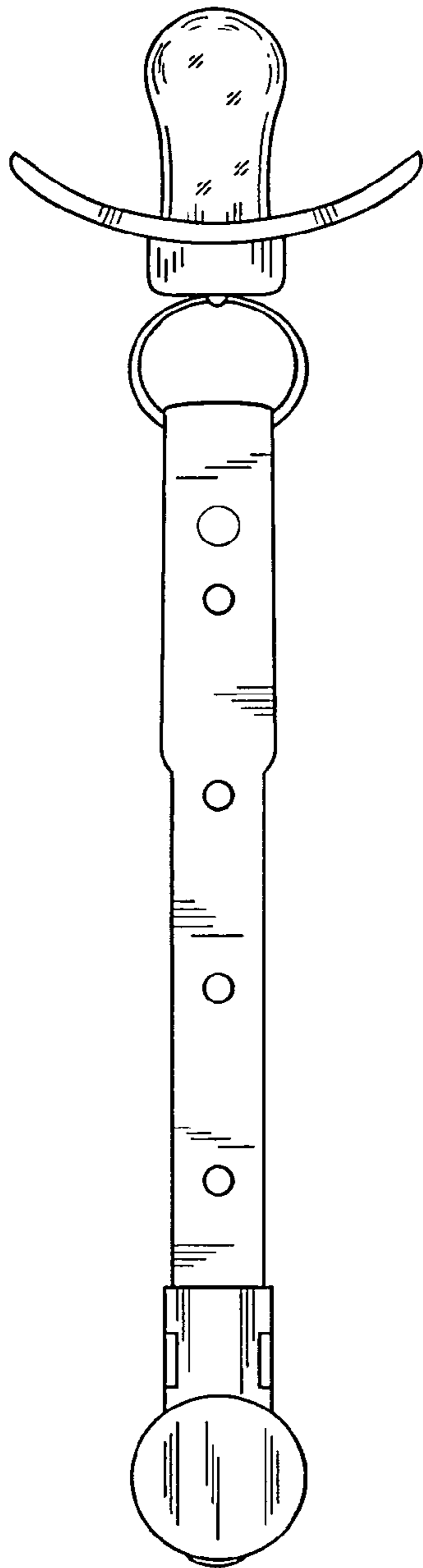


FIG. 4

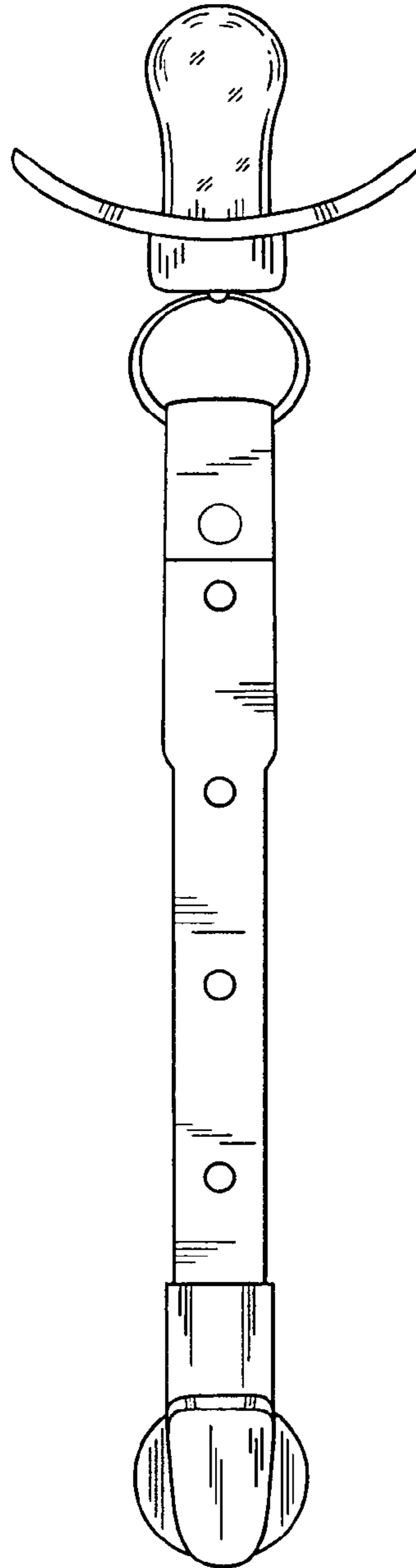


FIG. 5

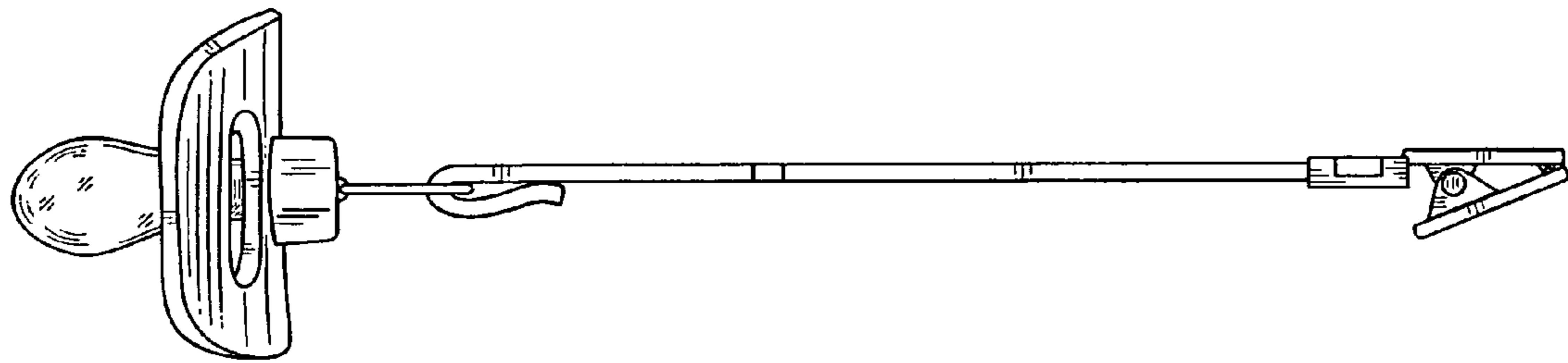


FIG. 6

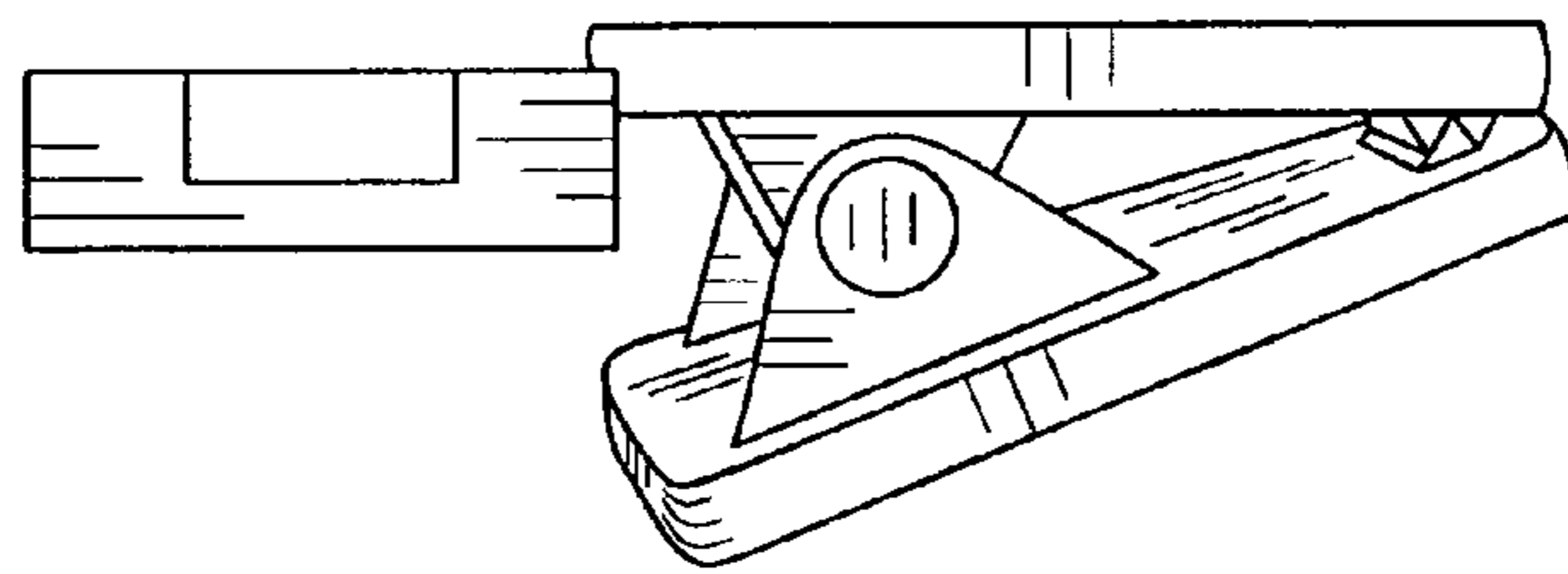


FIG. 7

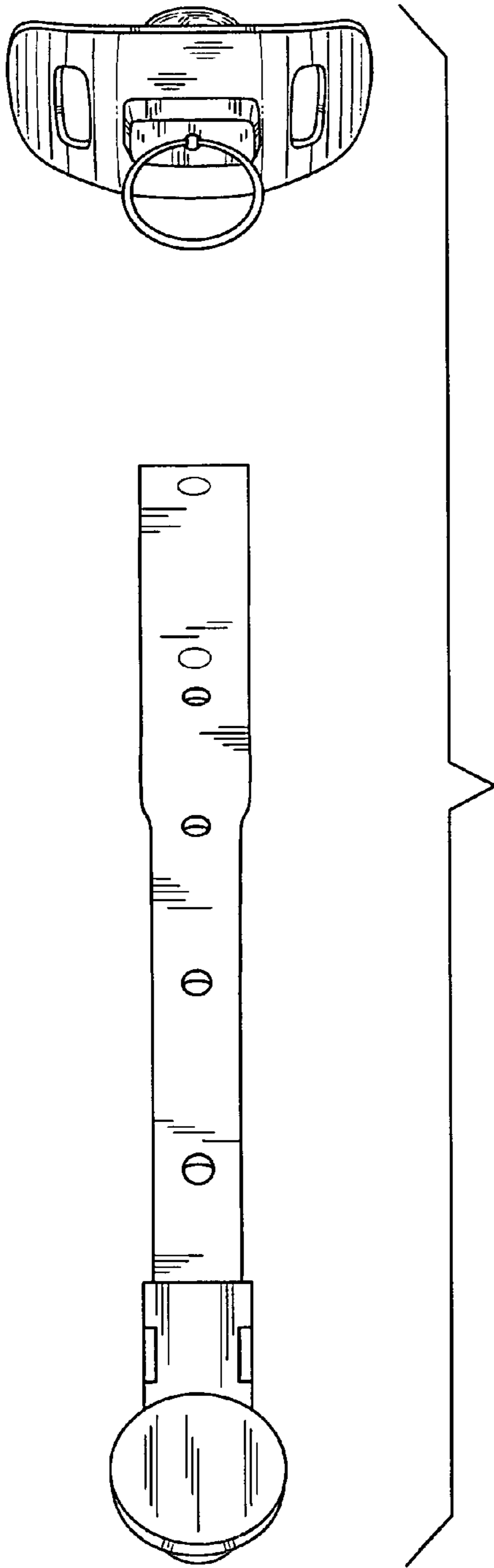


FIG. 8

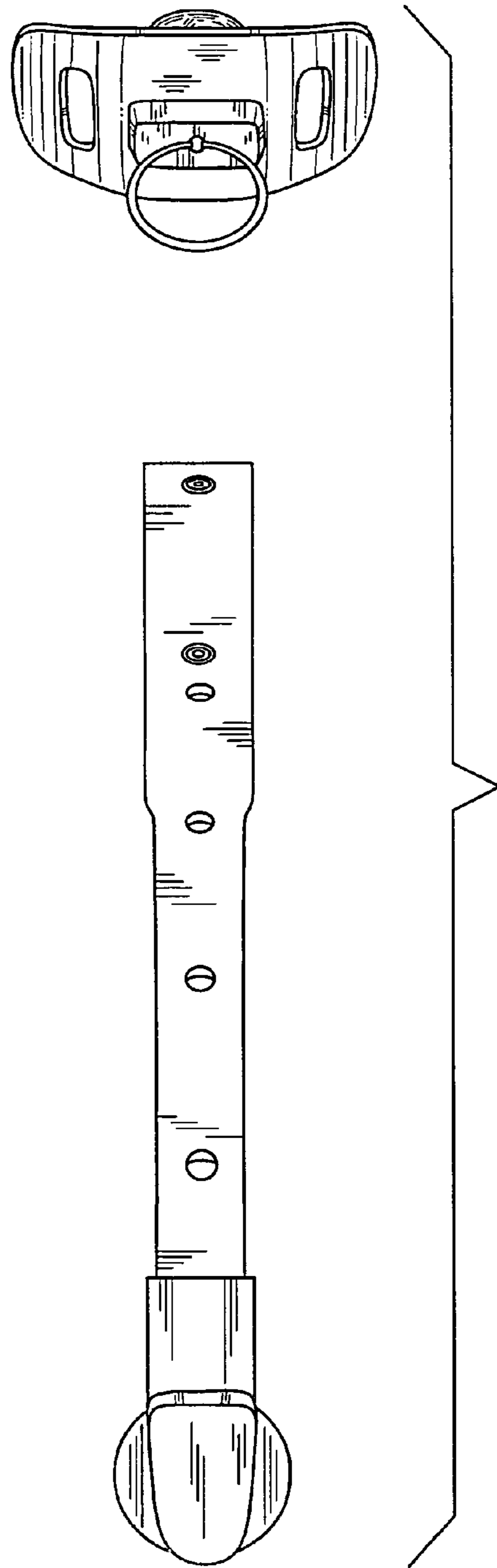


FIG. 9



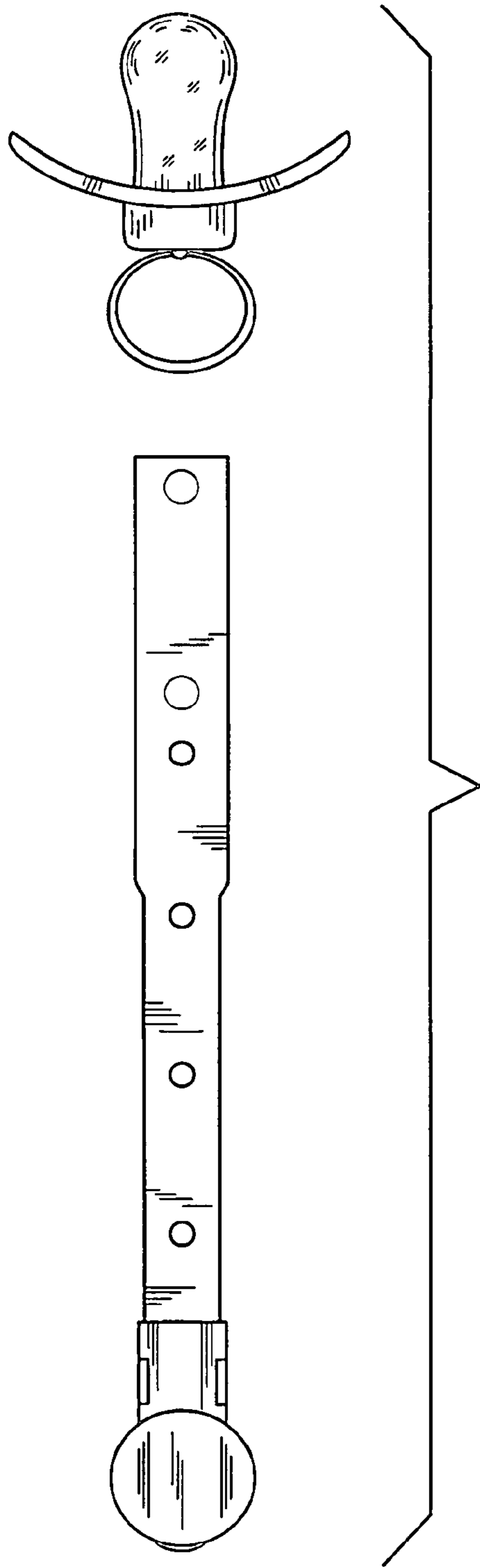


FIG. 10

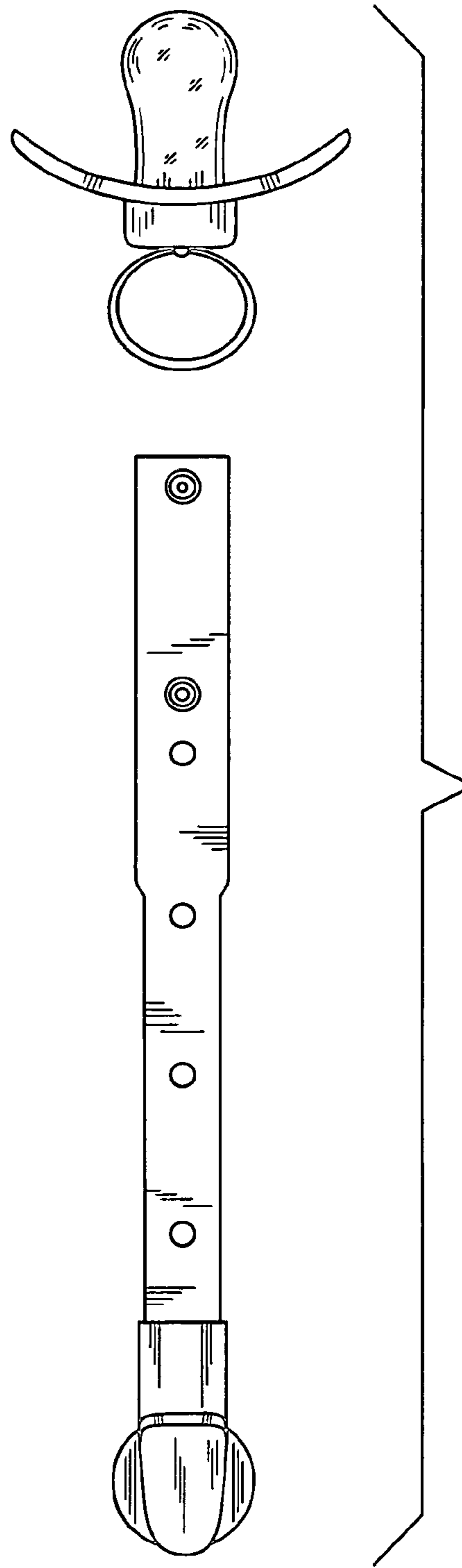


FIG. 11

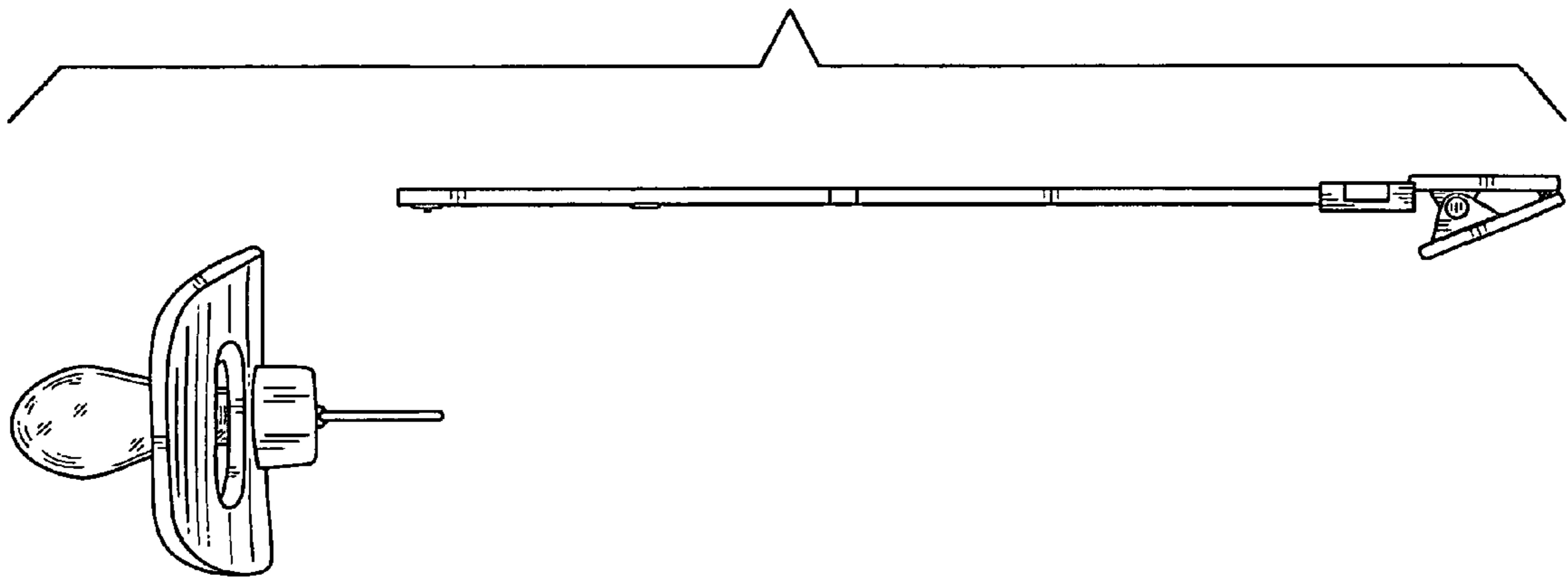


FIG. 12

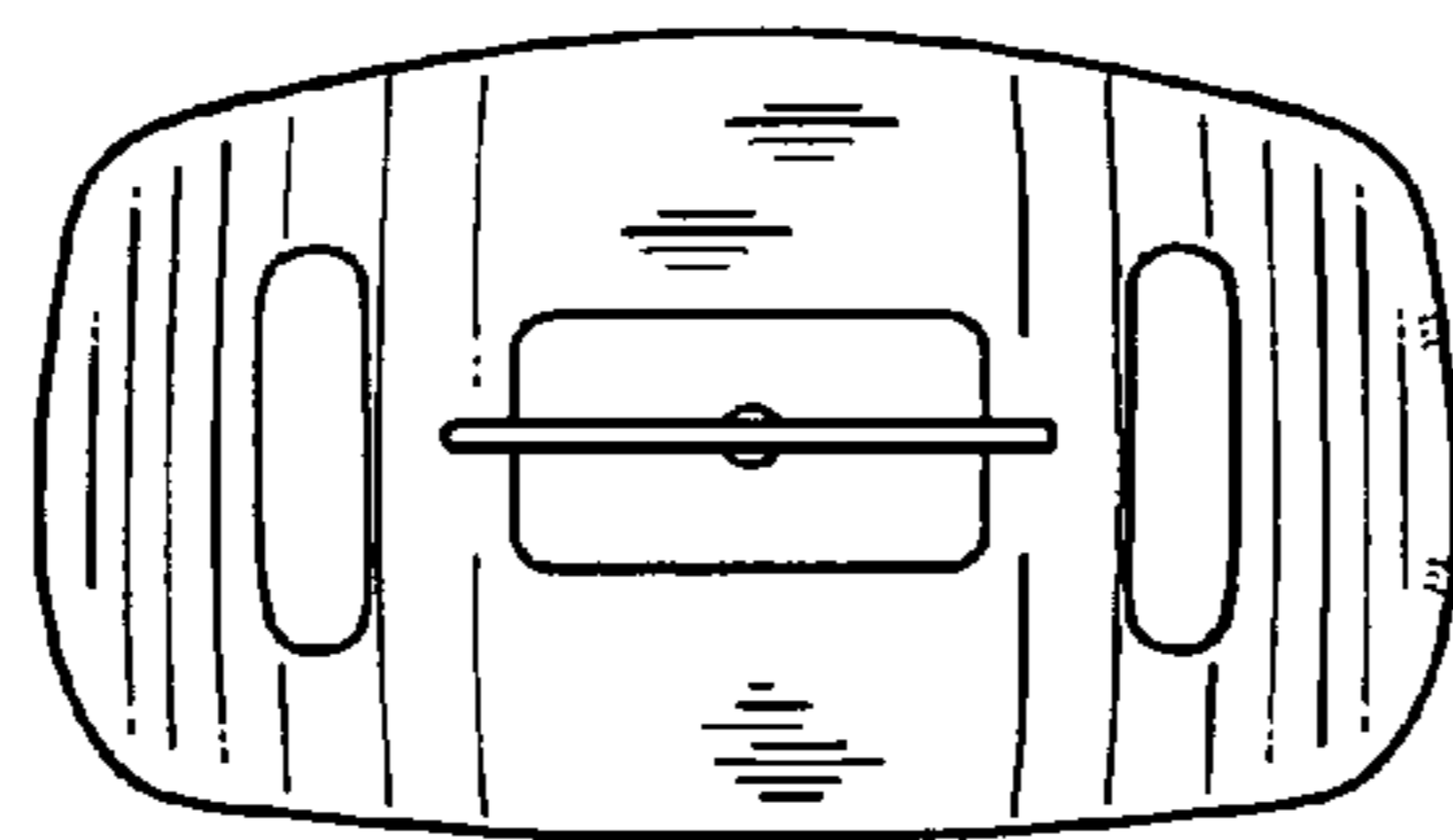


FIG. 13