



US00D732673S

(12) **United States Design Patent**
Lewis, Jr. et al.

(10) **Patent No.:** **US D732,673 S**
(45) **Date of Patent:** **** Jun. 23, 2015**

- (54) **ULTRASOUND CONTROLLER**
- (71) Applicant: **ZetrOZ, Inc.**, Trumbull, CT (US)
- (72) Inventors: **George K. Lewis, Jr.**, Trumbull, CT (US); **Shane Fleshman**, Milford, CT (US)
- (73) Assignee: **ZetrOZ, Inc.**, Trumbull, CT (US)
- (**) Term: **14 Years**
- (21) Appl. No.: **29/482,239**
- (22) Filed: **Feb. 16, 2014**
- (51) **LOC (10) Cl.** **24-01**
- (52) **U.S. Cl.**
USPC **D24/187**
- (58) **Field of Classification Search**
USPC D24/158, 185–187, 200, 133, 160, 167, D24/177, 215; D10/60; 600/407, 446, 600/459–462, 437, 439; 378/98.7, 98.8, 378/189; 601/2
See application file for complete search history.

D609,814 S *	2/2010	Banryu	D24/187
D629,113 S *	12/2010	Wodecki	D24/186
D637,287 S *	5/2011	Mudd et al.	D24/133
D639,434 S *	6/2011	Wodecki et al.	D24/160
D639,437 S *	6/2011	Bishay et al.	D24/167
D675,321 S *	1/2013	Sanga	D24/177
D693,927 S *	11/2013	Wilson et al.	D24/167
D699,360 S *	2/2014	Marzynski et al.	D24/186
D701,610 S *	3/2014	Thomas et al.	D24/200
D717,955 S *	11/2014	Bishay et al.	D24/167

* cited by examiner

Primary Examiner — T. Chase Nelson

Assistant Examiner — Mark Cavanna

(74) *Attorney, Agent, or Firm* — Heslin Rothenberg Farley & Mesiti P.C.; Andrew K. Gonsalves, Esq.

(57) **CLAIM**

The ornamental design for an ultrasound controller, as shown and described.

DESCRIPTION

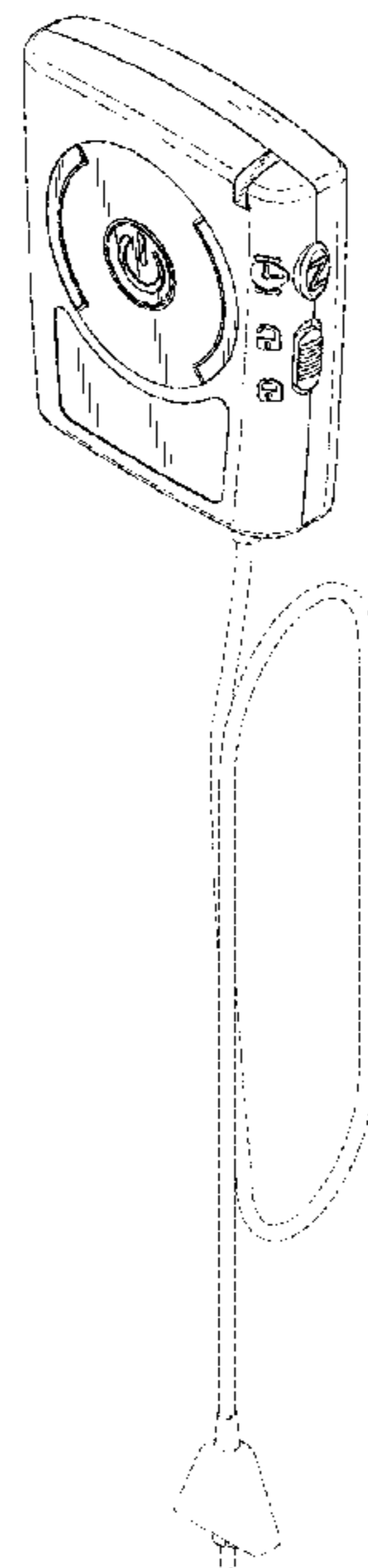
FIG. 1 is a front perspective view of an ultrasound controller of the present design, shown with an environmental, disclaimed cord attached to the bottom of the ultrasound controller and with an environmental, disclaimed coupling adapter attached to the opposite end of the cord, where the cord and the coupling adapter are shown in broken lines; FIG. 2 is a front elevation view thereof; FIG. 3 is a rear elevation view thereof; FIG. 4 is a left side elevation view thereof; FIG. 5 is a right side elevation view thereof; FIG. 6 is a top plan view thereof; and, FIG. 7 is a bottom plan view thereof. The broken lines in the figures show environment and form no part of the claimed invention.

1 Claim, 4 Drawing Sheets

(56) **References Cited**

U.S. PATENT DOCUMENTS

D402,028 S *	12/1998	Grimm et al.	D24/133
D429,336 S *	8/2000	Francis et al.	D24/167
D482,452 S *	11/2003	Davey et al.	D24/186
D490,525 S *	5/2004	Stein et al.	D24/167
D506,260 S *	6/2005	Ryan	D24/186
D544,605 S *	6/2007	Gumisawa et al.	D24/186
D562,985 S *	2/2008	Brefka et al.	D24/186
D599,909 S *	9/2009	Rinott et al.	D24/186
D603,336 S *	11/2009	Nan	D24/215
D608,451 S *	1/2010	Hanoun	D24/186



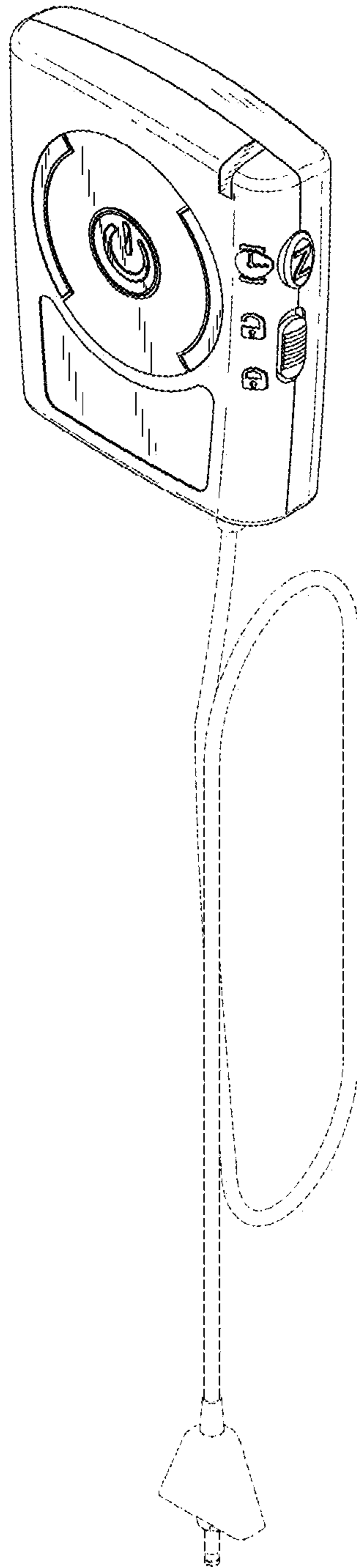


FIG. 1

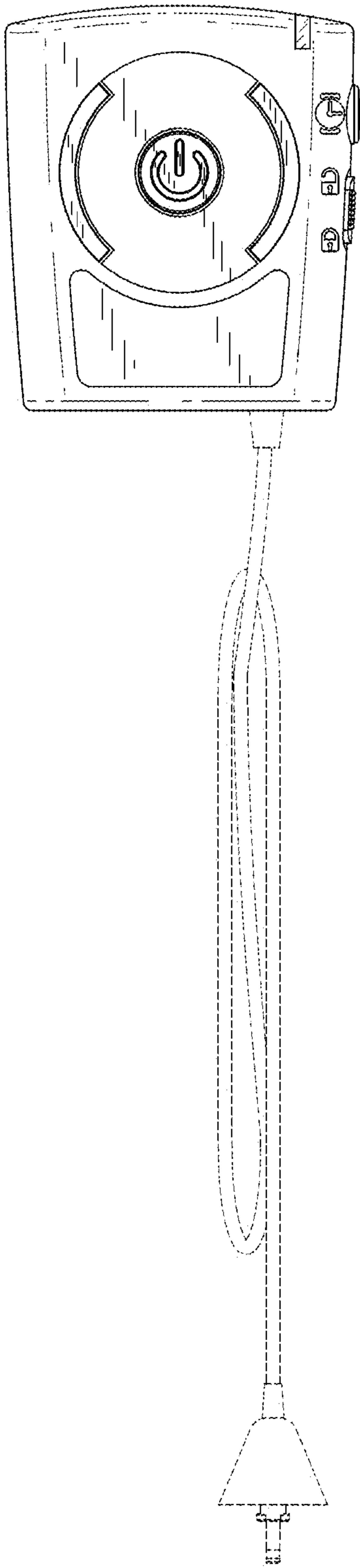


FIG. 2

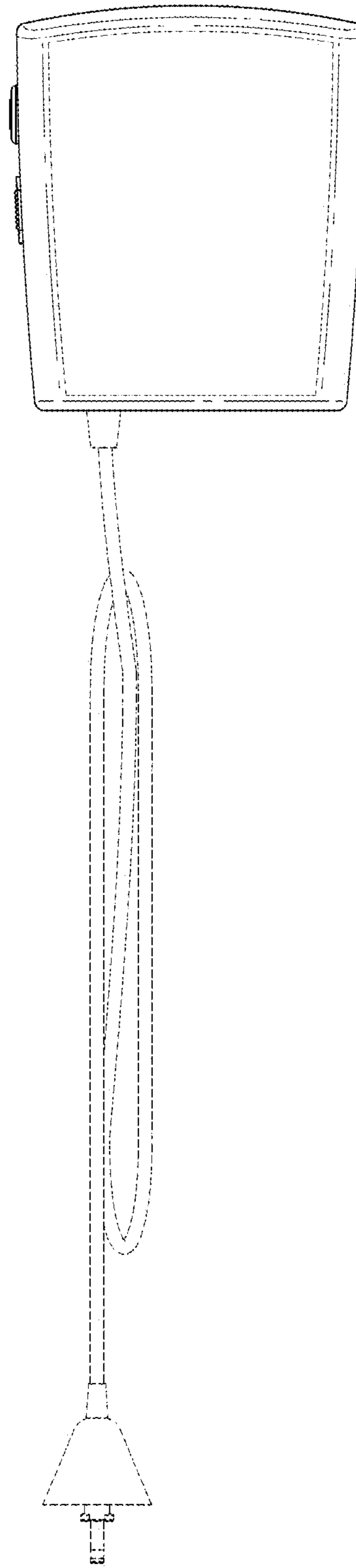


FIG. 3

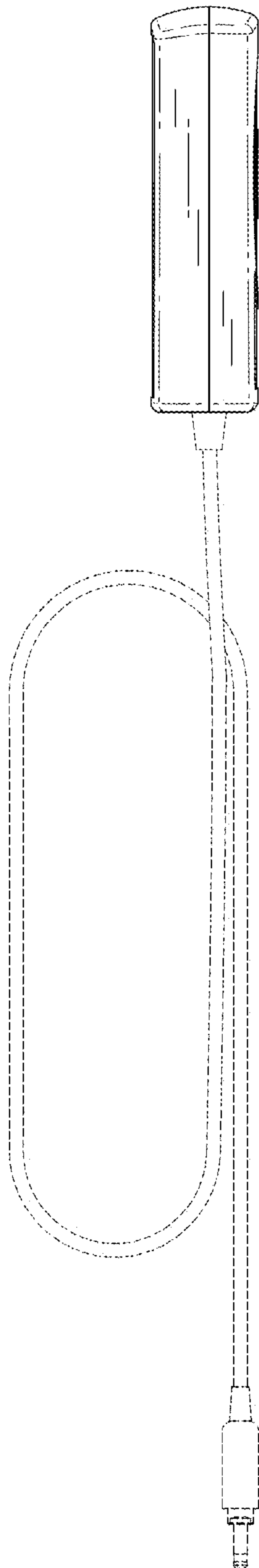


FIG. 4

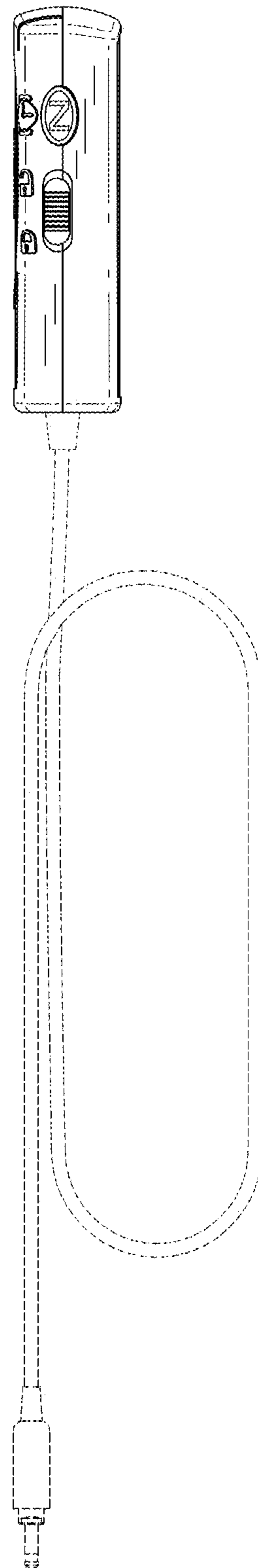


FIG. 5

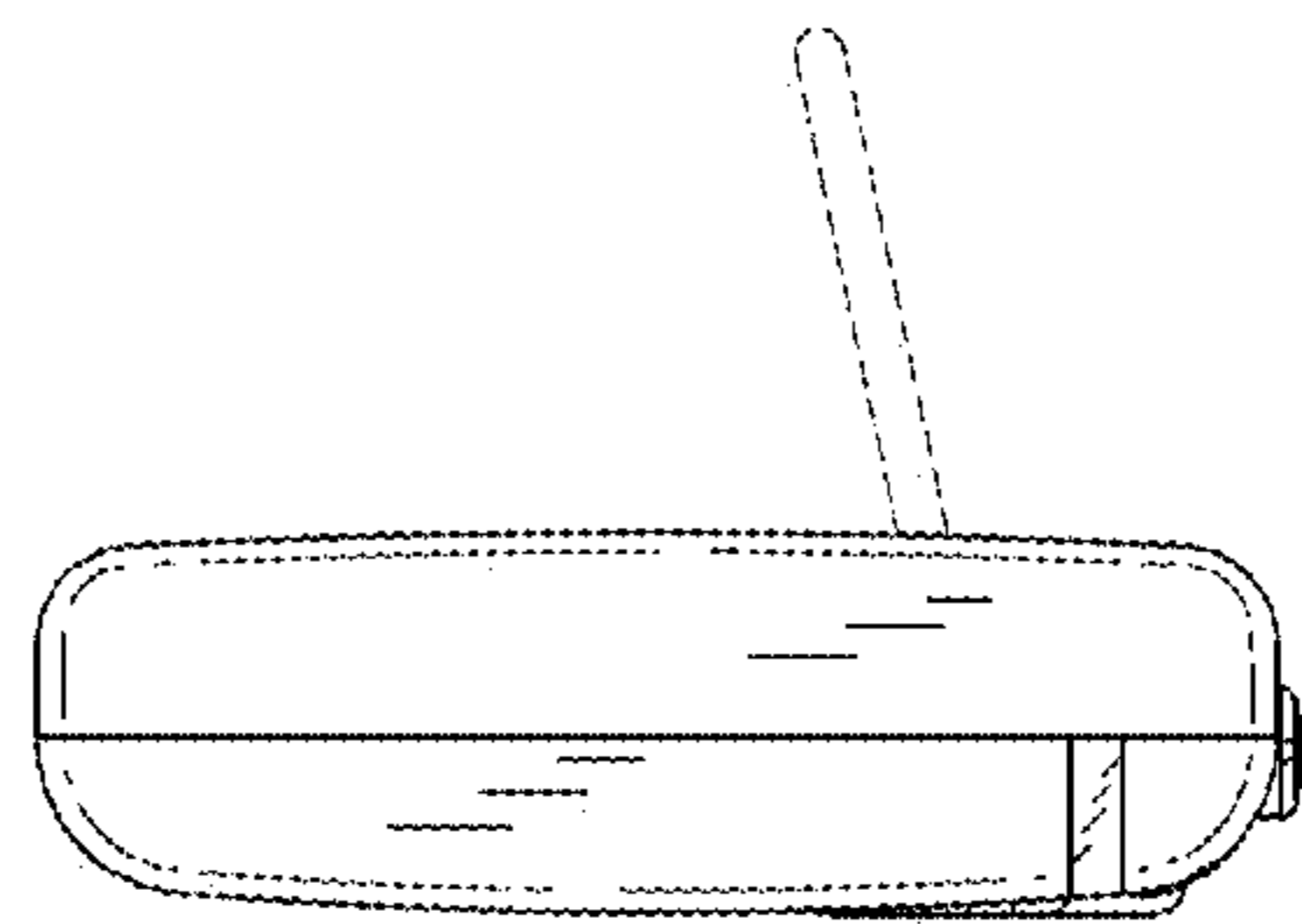


FIG. 6

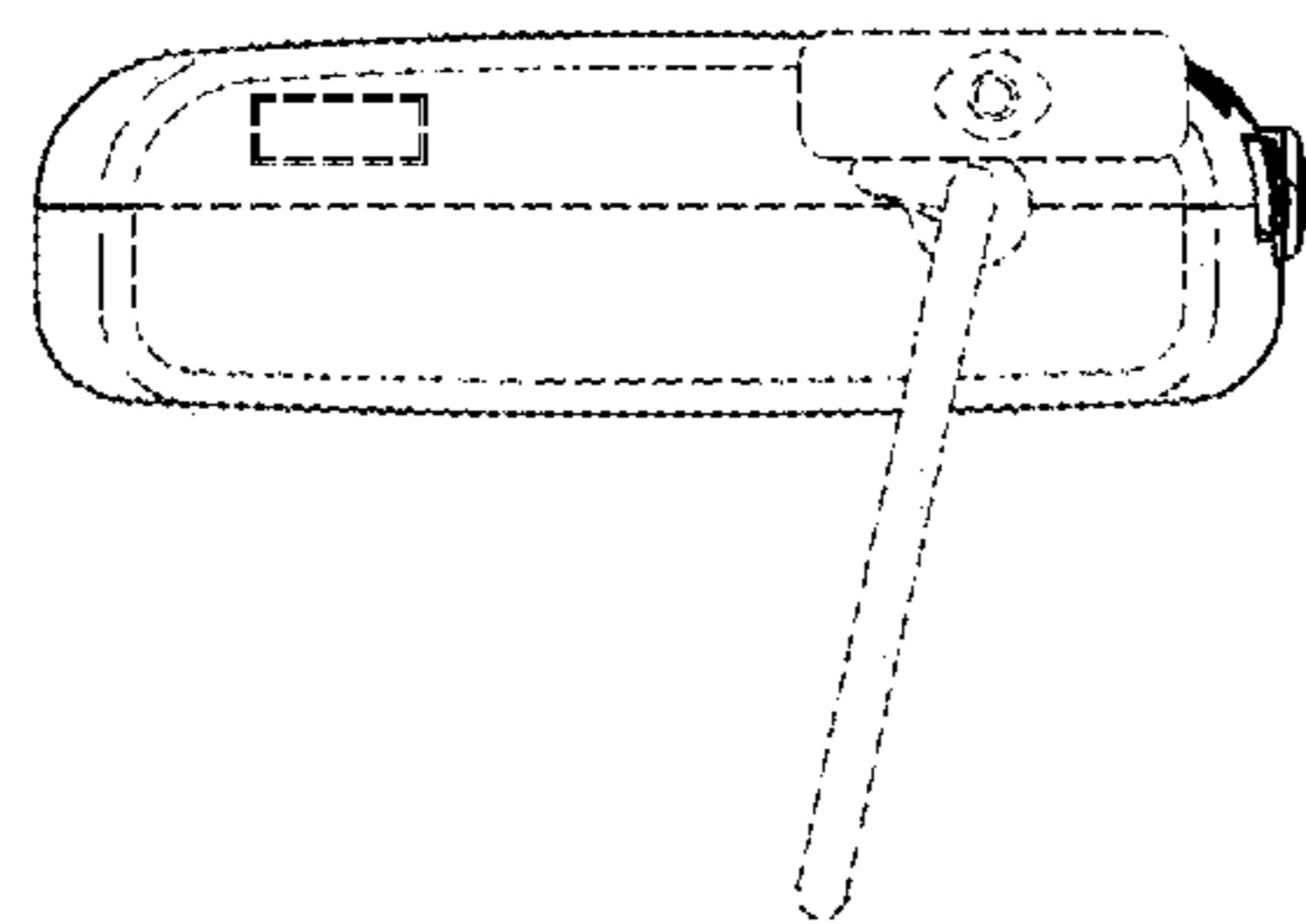


FIG. 7