



US00D732672S

(12) **United States Design Patent**
Lewis, Jr. et al.

(10) **Patent No.:** **US D732,672 S**
(45) **Date of Patent:** **** Jun. 23, 2015**

(54) **ULTRASOUND APPLICATOR**

(71) Applicant: **ZetrOZ, Inc.**, Trumbull, CT (US)

(72) Inventors: **George K. Lewis, Jr.**, Trumbull, CT (US); **Shane Fleshman**, Milford, CT (US)

(73) Assignee: **ZetrOz, Inc.**, Trumbull, CT (US)

(**) Term: **14 Years**

(21) Appl. No.: **29/482,238**

(22) Filed: **Feb. 16, 2014**

(51) **LOC (10) Cl.** **24-01**

(52) **U.S. Cl.**
USPC **D24/187**

(58) **Field of Classification Search**
USPC D24/158, 185-187, 200, 129, 138, 160;
D10/60; 600/407, 446, 459-462, 437,
600/439; 378/98.7, 98.8, 189; 601/2
See application file for complete search history.

(56) **References Cited**

U.S. PATENT DOCUMENTS

4,688,578	A *	8/1987	Takano et al.	600/459
4,787,070	A *	11/1988	Suzuki et al.	600/446
4,796,632	A *	1/1989	Boyd et al.	600/459
D327,740	S *	7/1992	Arioka et al.	D24/186
D328,495	S *	8/1992	Ungari	D24/187
D429,336	S *	8/2000	Francis et al.	D24/167
D482,452	S *	11/2003	Davey et al.	D24/186
D547,871	S *	7/2007	Watson et al.	D24/187
D562,985	S *	2/2008	Brefka et al.	D24/186
D564,659	S *	3/2008	Hayashi	D24/138
D564,660	S *	3/2008	Hayashi	D24/129
D566,284	S *	4/2008	Kitayama et al.	D10/60
D599,909	S *	9/2009	Rinott et al.	D24/186
D603,050	S *	10/2009	Chen	D24/187

(Continued)

Primary Examiner — T. Chase Nelson

Assistant Examiner — Mark Cavanna

(74) *Attorney, Agent, or Firm* — Heslin Rothenberg Farley & Mesiti P.C.; Andrew K. Gonsalves, Esq.

(57) **CLAIM**

The ornamental design for an ultrasound applicator, as shown and described.

DESCRIPTION

FIG. 1 is a front perspective view of an ultrasound applicator of the present design;

FIG. 2 is a rear perspective view thereof;

FIG. 3 is a top plan view thereof;

FIG. 4 is a front elevation view thereof;

FIG. 5 is a right side elevation view thereof, the left side elevation view being a mirror image thereof;

FIG. 6 is a bottom plan view thereof;

FIG. 7 is a rear elevation view thereof;

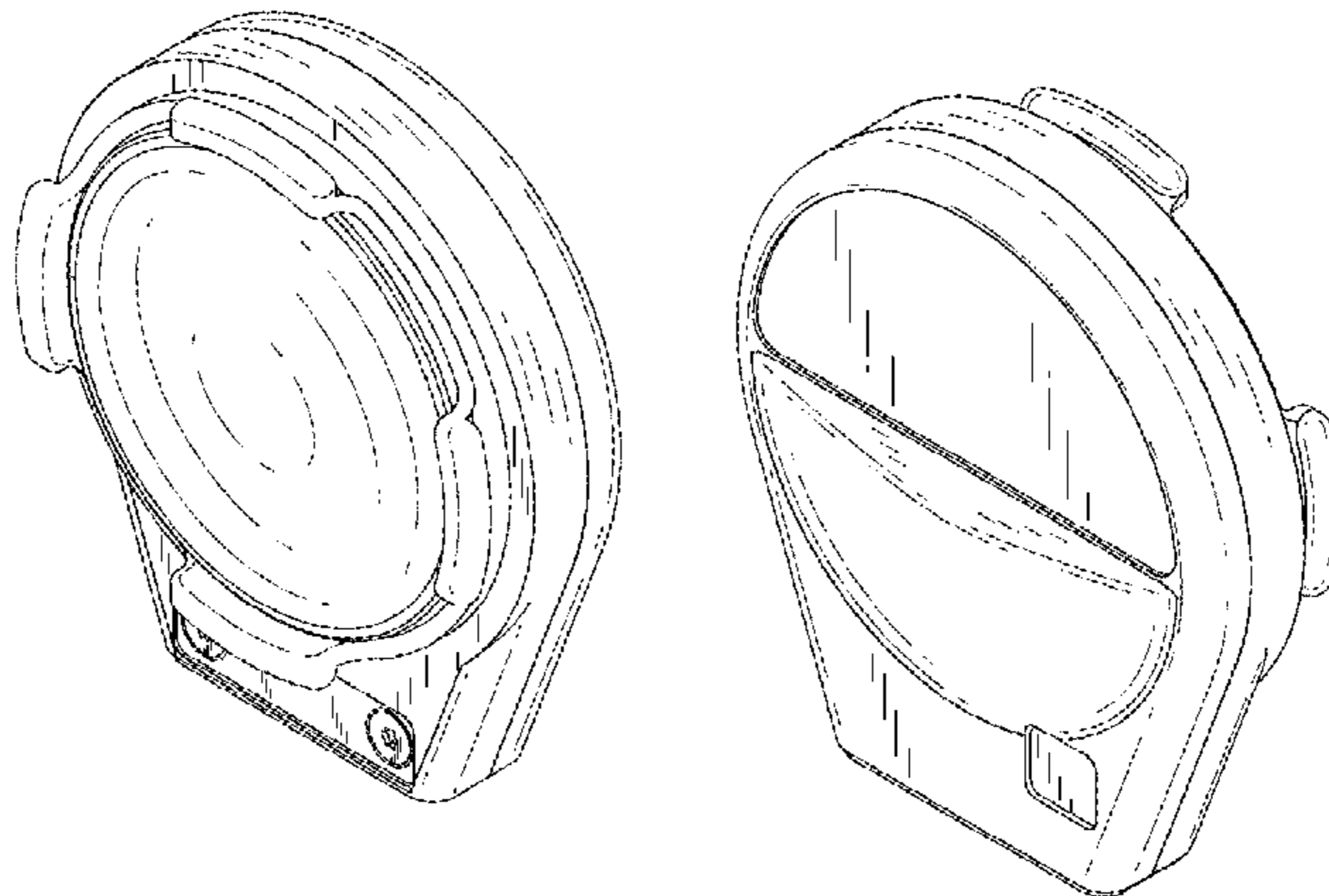
FIG. 8 is a rear perspective view of the ultrasound applicator of FIGS. 1-7 with an environmental, disclaimed ultrasound coupling bandage shown in broken lines;

FIG. 9 is a rear perspective view of the ultrasound applicator of FIGS. 1-7 shown with an environmental, disclaimed coupling adapter attached to the bottom of the ultrasound applicator and with an environmental, disclaimed cord attached to the coupling adapter, where the coupling adapter and cord are shown as broken lines; and,

FIG. 10 is a rear perspective view of the ultrasound applicator of FIGS. 1-7 shown with an environmental, disclaimed ultrasound coupling bandage attached to the front of the ultrasound applicator, an environmental, disclaimed coupling adapter attached to the bottom of the ultrasound applicator, and with an environmental, disclaimed cord attached to the coupling adapter, where the ultrasound coupling bandage, coupling adapter, and cord are shown as broken lines.

The broken lines in the figures show environment and form no part of the claimed invention.

1 Claim, 5 Drawing Sheets



(56)

References Cited

U.S. PATENT DOCUMENTS

D603,520 S *	11/2009	Ninomiya et al.	D24/187	D639,434 S *	6/2011	Wodecki et al.	D24/160
D608,451 S *	1/2010	Hanoun	D24/186	D639,437 S *	6/2011	Bishay et al.	D24/167
D609,814 S *	2/2010	Banryu	D24/187	D692,564 S *	10/2013	Ninomiya et al.	D24/187
D629,113 S *	12/2010	Wodecki	D24/186	D693,927 S *	11/2013	Wilson et al.	D24/167
D629,527 S *	12/2010	Crunkilton	D24/187	D699,360 S *	2/2014	Marzynski et al.	D24/186
D630,756 S *	1/2011	Kitayama	D24/187	D700,969 S *	3/2014	Kim	D24/187
D630,757 S *	1/2011	Kitayama	D24/187	D717,955 S *	11/2014	Bishay et al.	D24/167
				2003/0060714 A1 *	3/2003	Henderson et al.	600/459
				2003/0060735 A1 *	3/2003	Coffey et al.	601/2

* cited by examiner

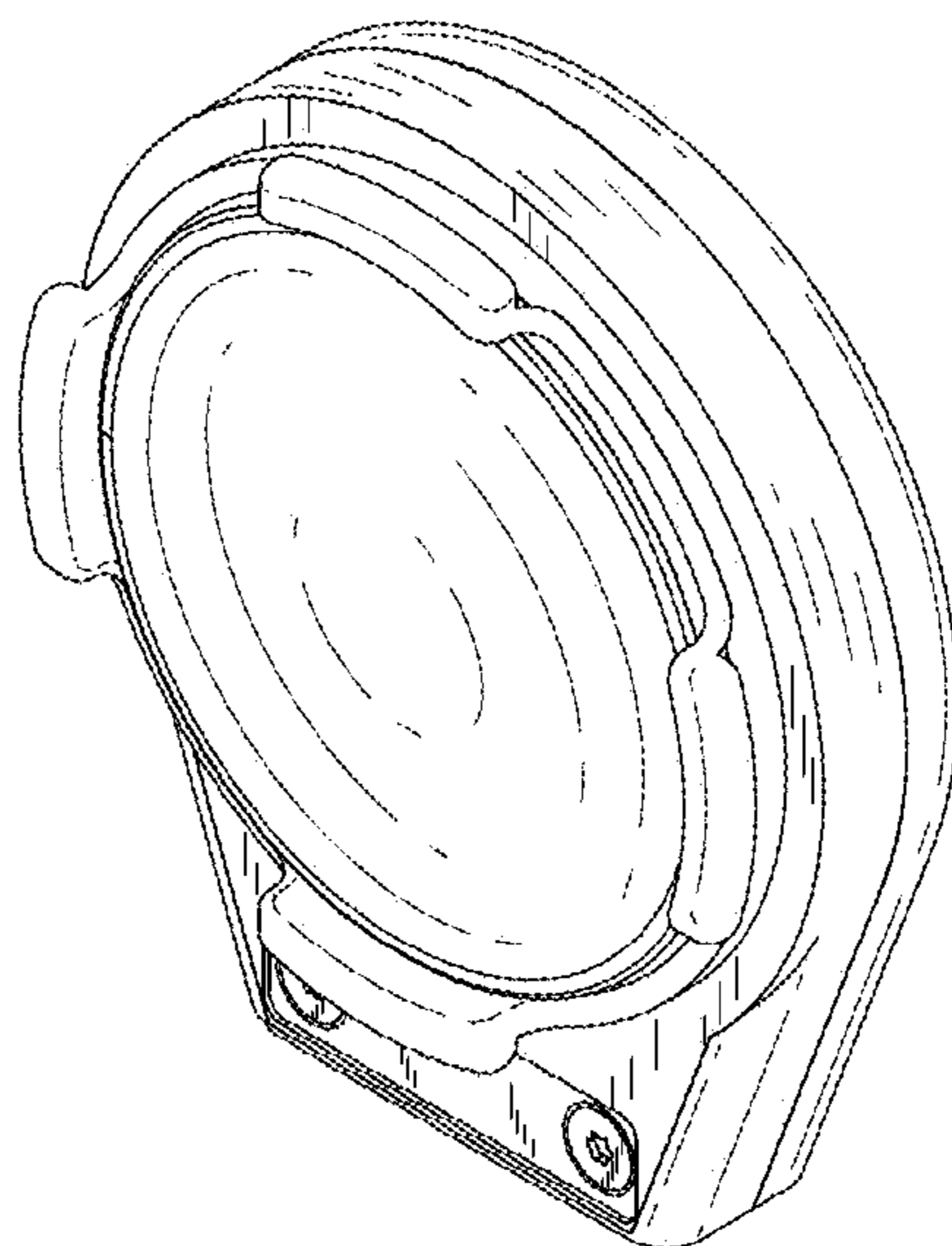


FIG. 1

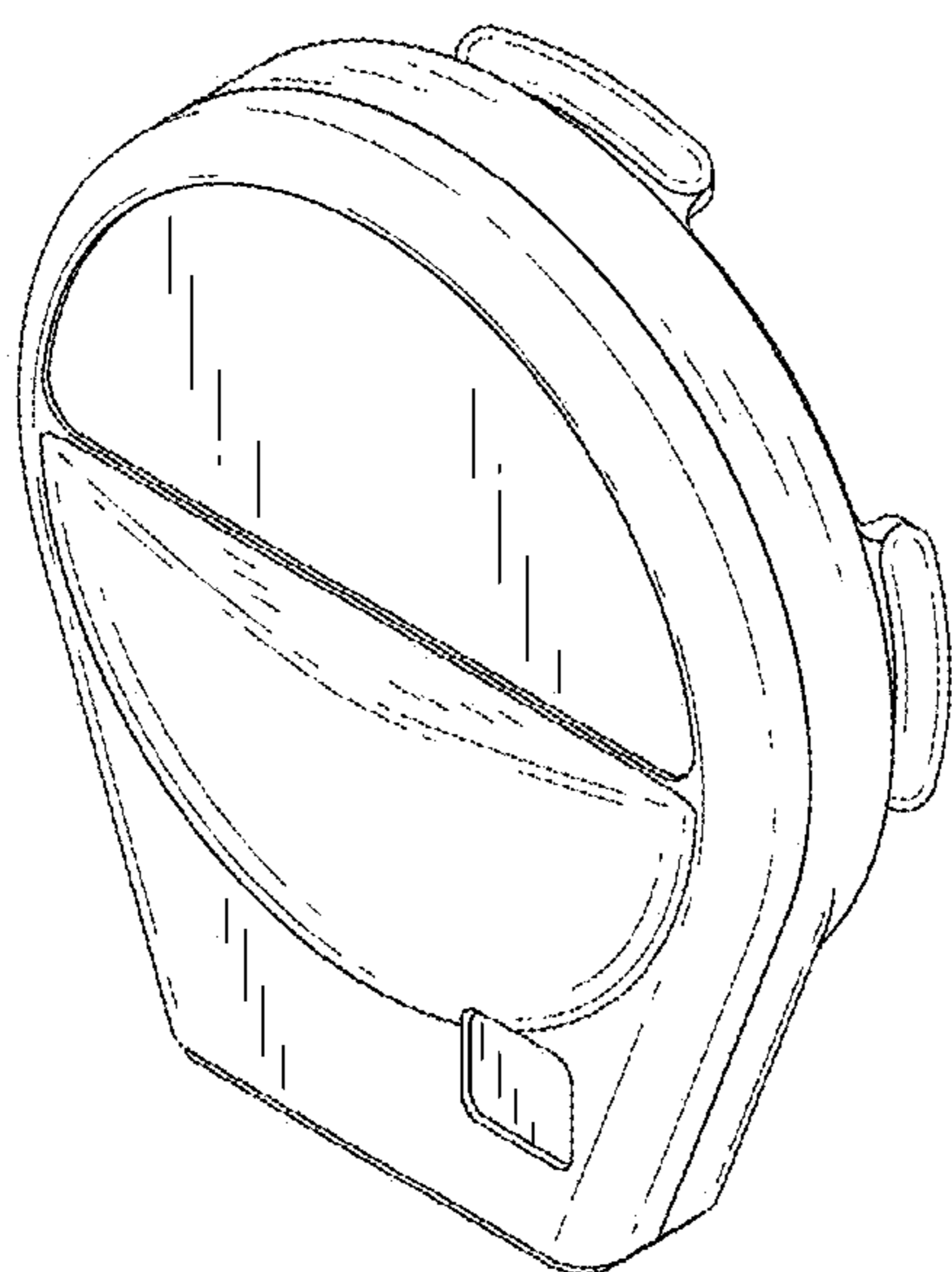


FIG. 2

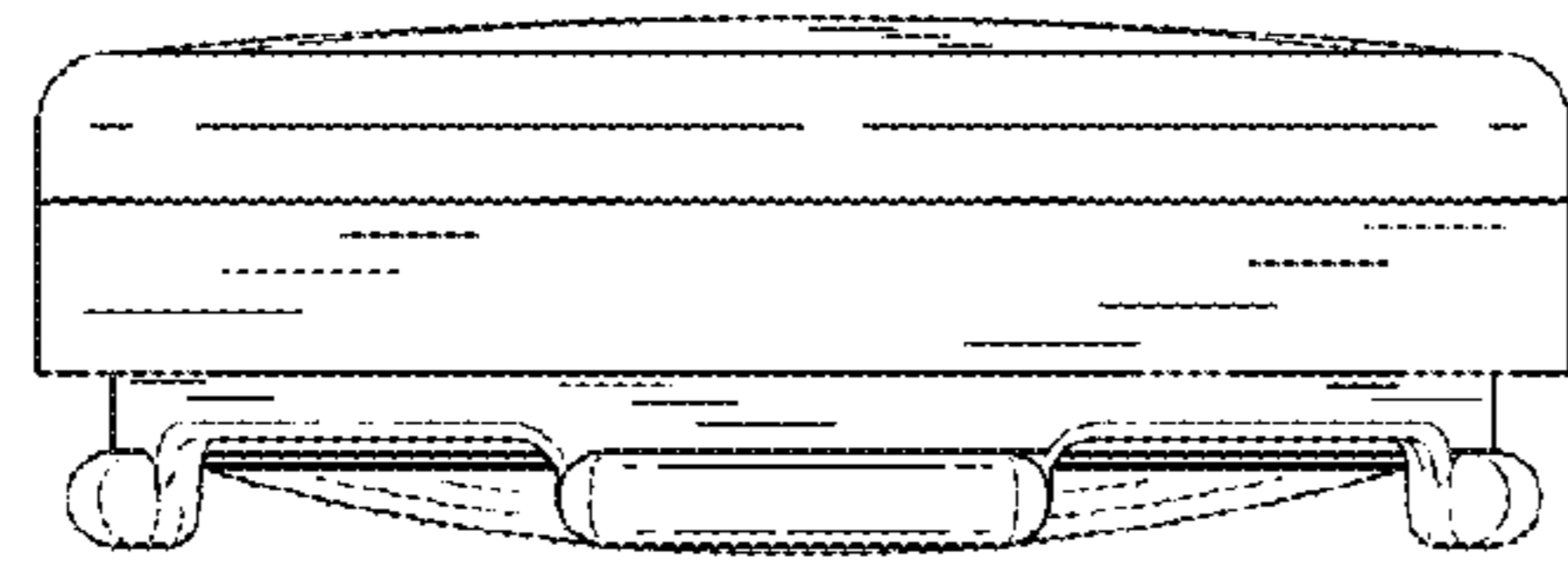


FIG. 3

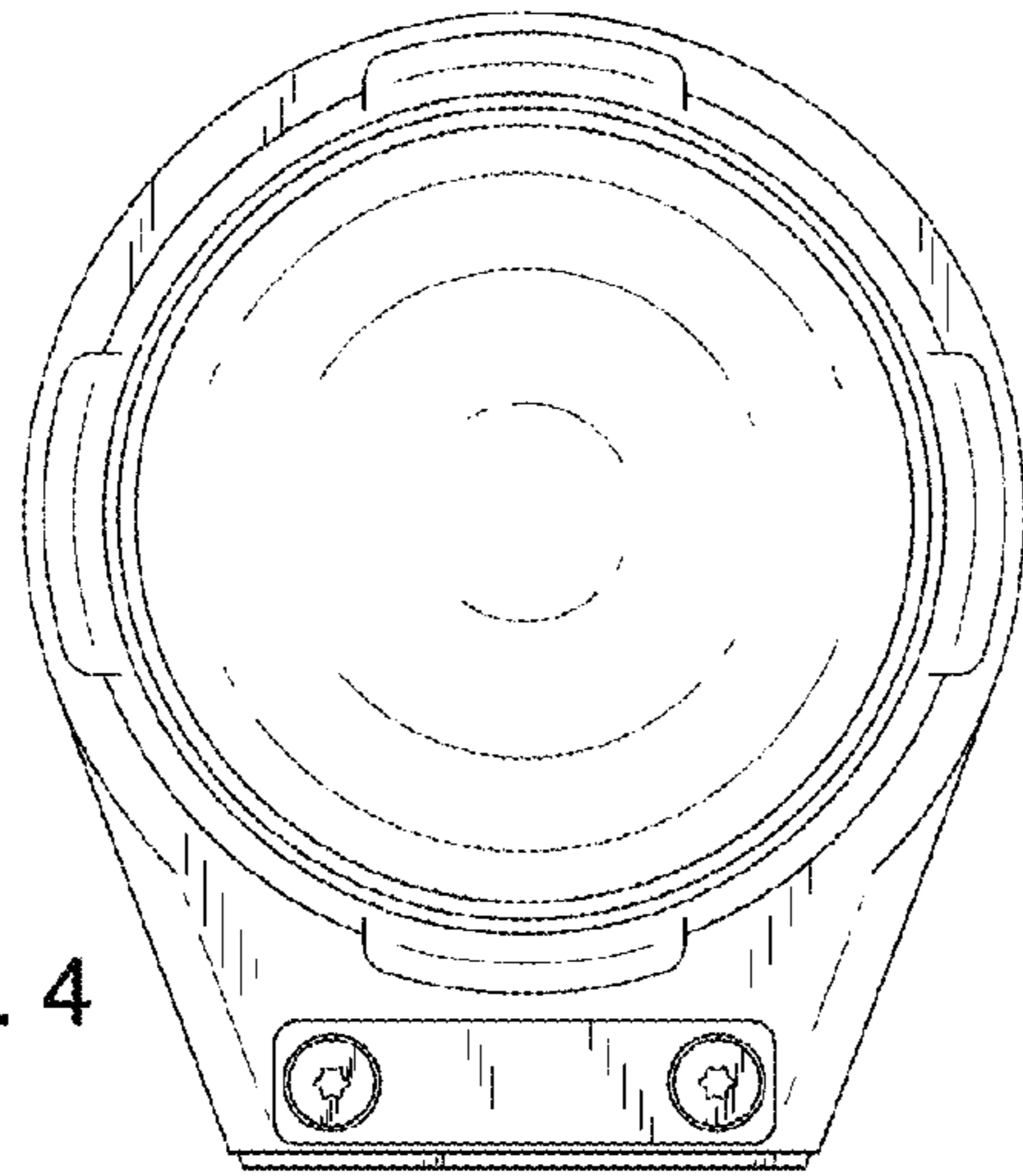


FIG. 4



FIG. 5

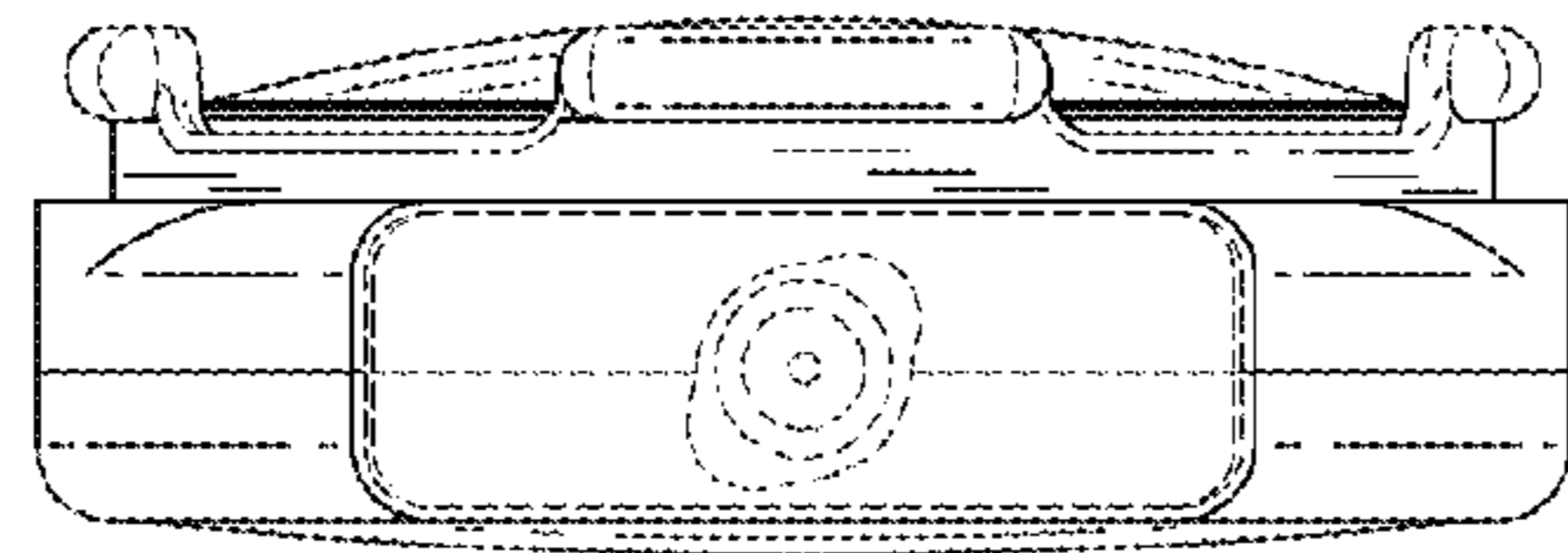


FIG. 6

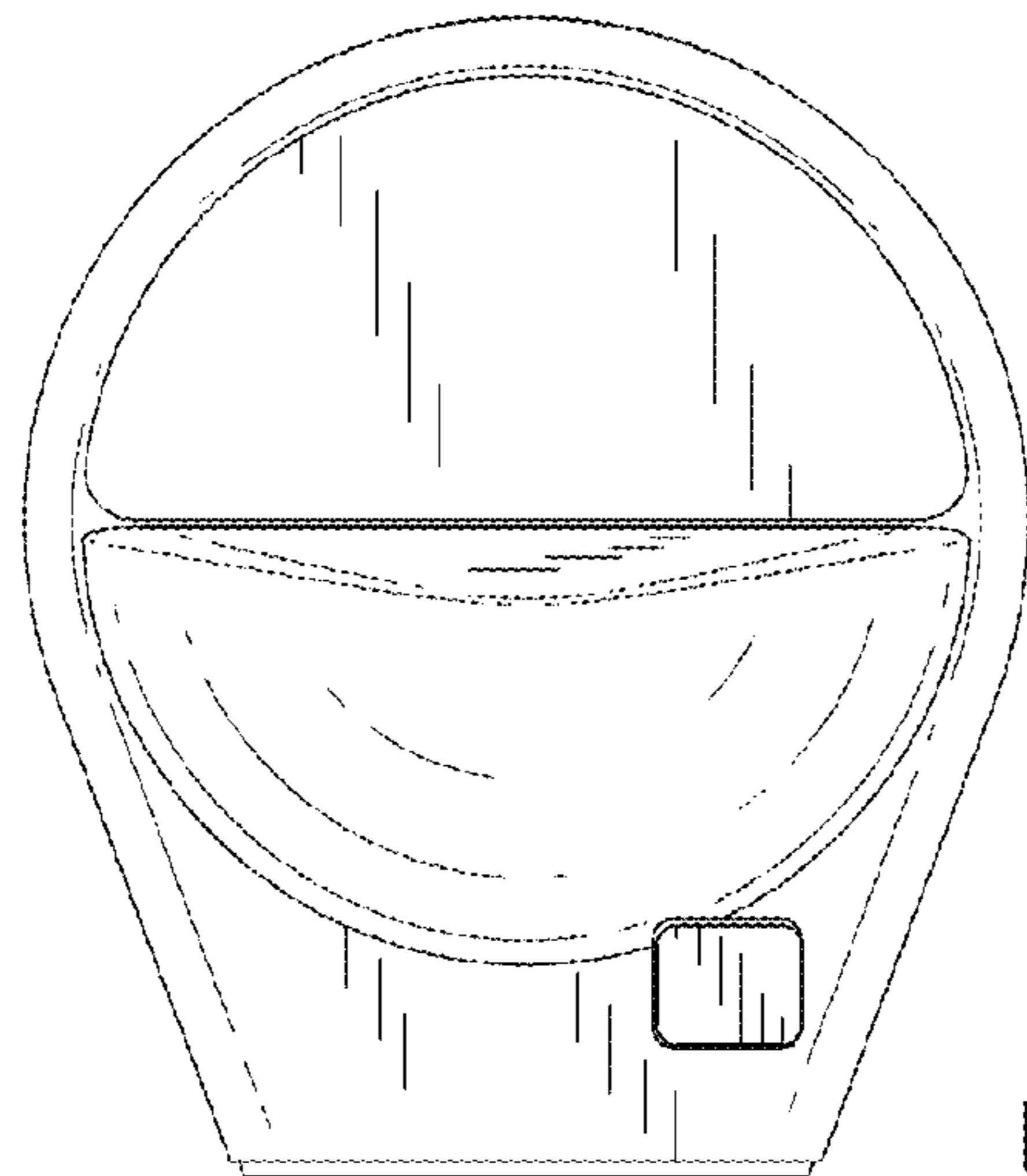


FIG. 7

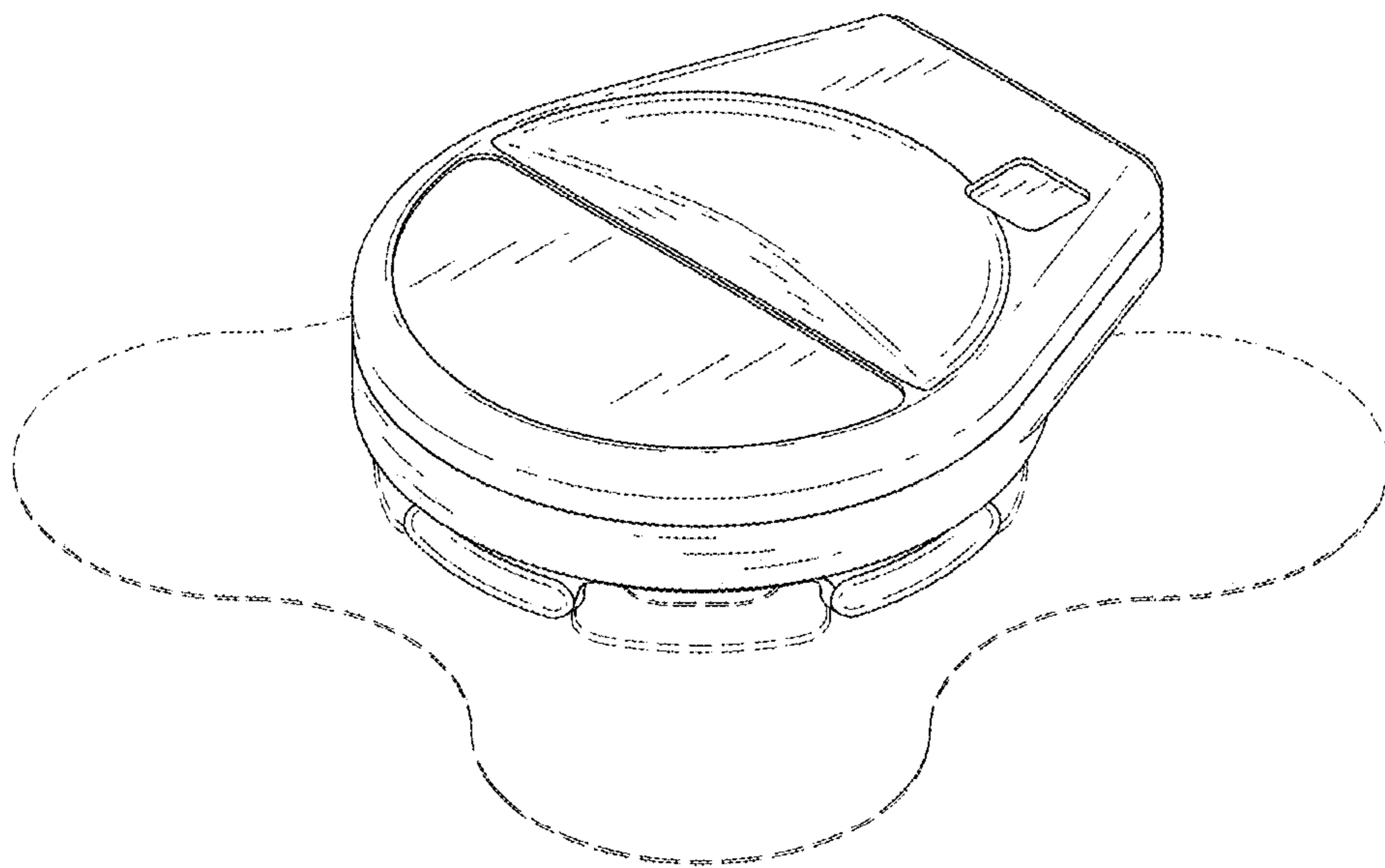


FIG. 8

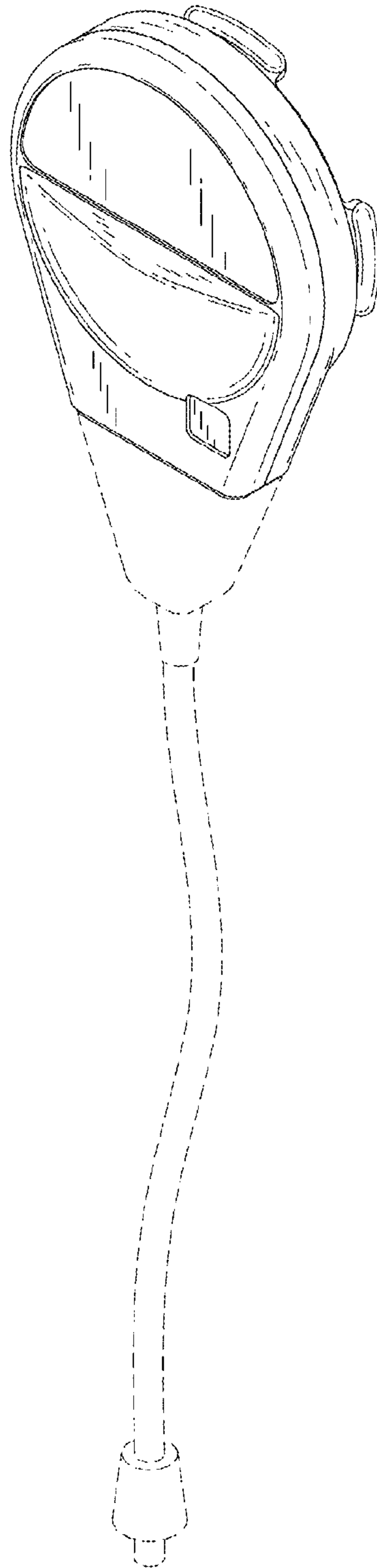


FIG. 9

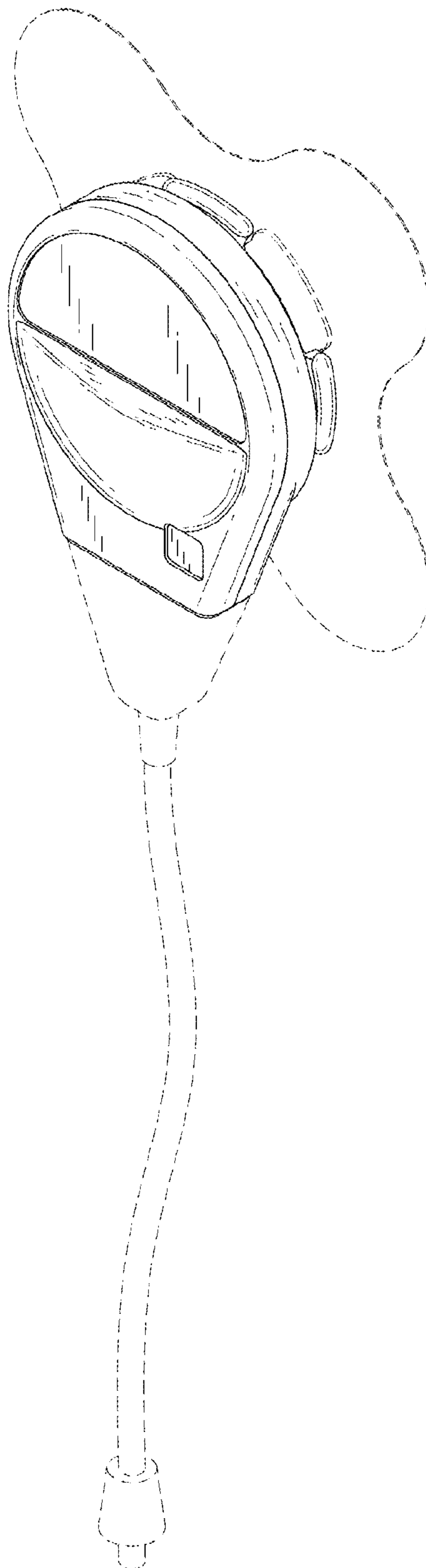


FIG. 10