



US00D732671S

(12) **United States Design Patent**
Moy et al.

(10) **Patent No.:** **US D732,671 S**
(45) **Date of Patent:** **** Jun. 23, 2015**

- (54) **WRIST SUPPORT**
- (71) Applicant: **ACCO Brands Corporation**,
Lincolnshire, IL (US)
- (72) Inventors: **Brian F. Moy**, Wilmette, IL (US);
Motokimi Yono, Chicago, IL (US);
Andrew A. Monteleone, Chicago, IL
(US); **Brad L. Schantz**, Evanston, IL
(US); **Christopher H. Cunningham**,
Mundelein, IL (US)
- (73) Assignee: **ACCO Brands Corporation**, Lake
Zurich, IL (US)
- (**) Term: **14 Years**
- (21) Appl. No.: **29/449,628**
- (22) Filed: **Mar. 15, 2013**
- (51) **LOC (10) Cl.** **24-01**
- (52) **U.S. Cl.**
USPC **D24/184**
- (58) **Field of Classification Search**
USPC D24/183–184, 188, 190, 192, 165, 140,
D24/172, 128, 206–207; 248/118.1, 118.5;
5/632, 648, 636, 630; 601/34; 602/20,
602/16, 23, 33, 36, 38, 40; 128/845, 877;
D6/601, 597, 501, 418; 378/208;
D14/452, 460–461; D29/120.1
See application file for complete search history.

- 5,383,632 A * 1/1995 Shirlin et al. 248/118.5
- D361,383 S * 8/1995 Lipson et al. D24/183
- D375,163 S * 10/1996 Lipson et al. D24/183
- D376,428 S * 12/1996 Lipson et al. D24/183
- D399,195 S * 10/1998 Cummings D14/460
- D400,309 S * 10/1998 Kuntz et al. D29/120.1
- D407,820 S * 4/1999 Sullenberger et al. D24/184
- 5,944,289 A 8/1999 Speece
- 6,193,196 B1 2/2001 Hesley
- D438,725 S * 3/2001 Takahashi D6/418
- 6,454,224 B1 * 9/2002 Nogueira 248/118.5
- D470,502 S * 2/2003 Andrews et al. D14/460
- 6,585,198 B2 7/2003 Dillon
- D479,719 S * 9/2003 Kerscher et al. D14/460

(Continued)

FOREIGN PATENT DOCUMENTS

- GB 2364764 7/2001
- WO 0004489 1/2000

Primary Examiner — T. Chase Nelson

Assistant Examiner — Mark Cavanna

(74) *Attorney, Agent, or Firm* — Michael Best & Friedrich
LLP

(57) **CLAIM**

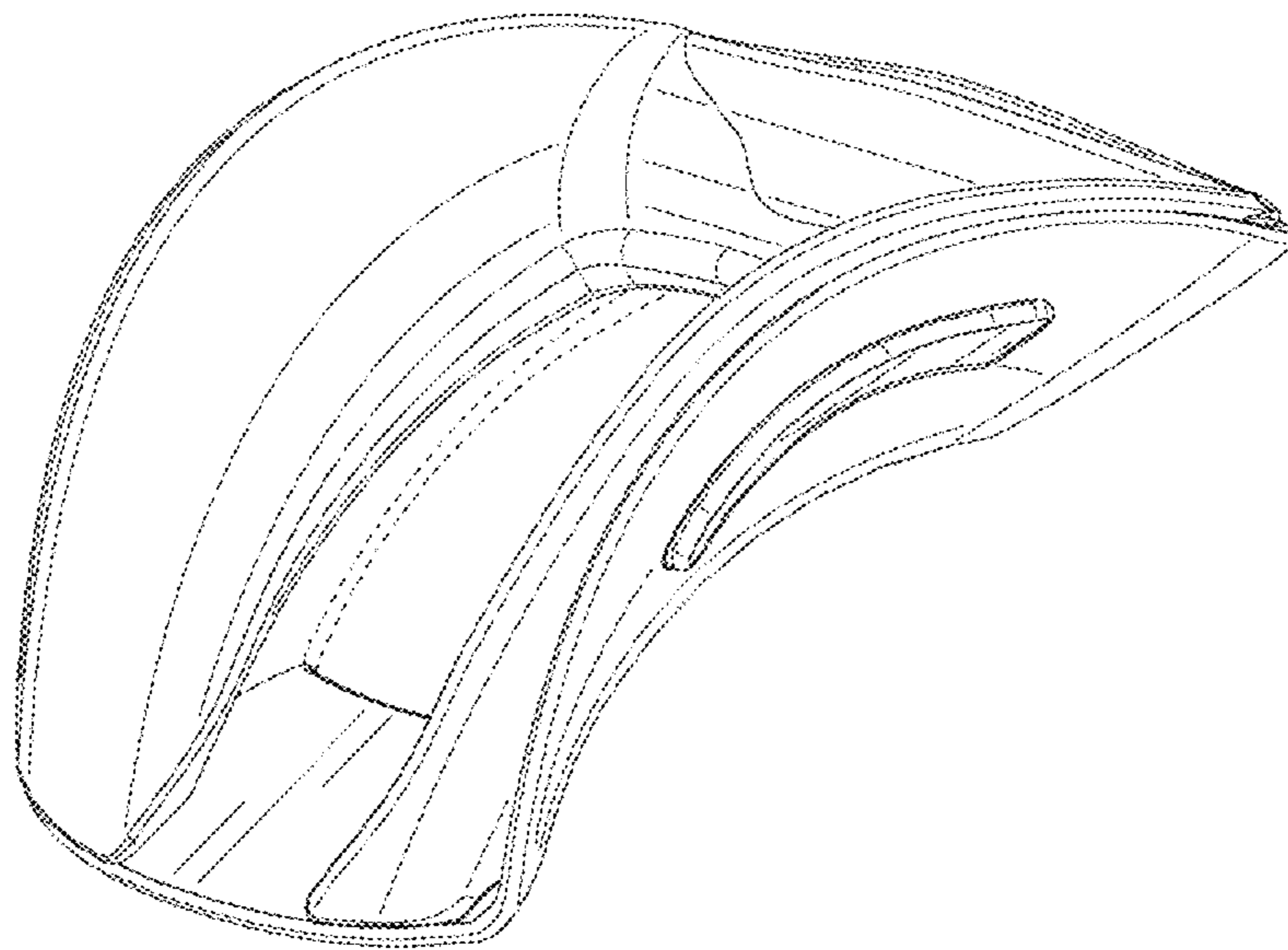
We claim the ornamental design for a wrist support, as shown
and described.

DESCRIPTION

FIG. 1 is a top perspective view of a wrist support.
 FIG. 2 is a first end view of the wrist support.
 FIG. 3 is a second end view of the wrist support.
 FIG. 4 is a first side view of the wrist support.
 FIG. 5 is a second side view of the wrist support; and,
 FIG. 6 is a top plan view of the wrist support.
 The broken lines are included for the purpose of illustrating
 unclaimed portions of the wrist support and form no part of
 the claimed design.

1 Claim, 5 Drawing Sheets

- (56) **References Cited**
U.S. PATENT DOCUMENTS
- D239,143 S * 3/1976 Arluck et al. D24/190
- D253,568 S * 12/1979 Brink D6/501
- D331,042 S * 11/1992 Hassel et al. D14/460
- D331,921 S * 12/1992 Gutke et al. D14/452
- D340,990 S * 11/1993 Kawamura D24/190



(56)

References Cited

U.S. PATENT DOCUMENTS

D518,894 S * 4/2006 Kirn D24/184
D535,030 S * 1/2007 Brefka et al. D24/184
D569,000 S * 5/2008 Itonaga et al. D24/186
D603,969 S * 11/2009 Bauerfeind et al. D24/190

D608,446 S * 1/2010 Shibata et al. D24/165
7,997,544 B2 8/2011 Fong
D698,030 S * 1/2014 Crisco et al. D24/183
D702,841 S * 4/2014 Wyrozub D24/184
D710,508 S * 8/2014 Messer D24/183

* cited by examiner

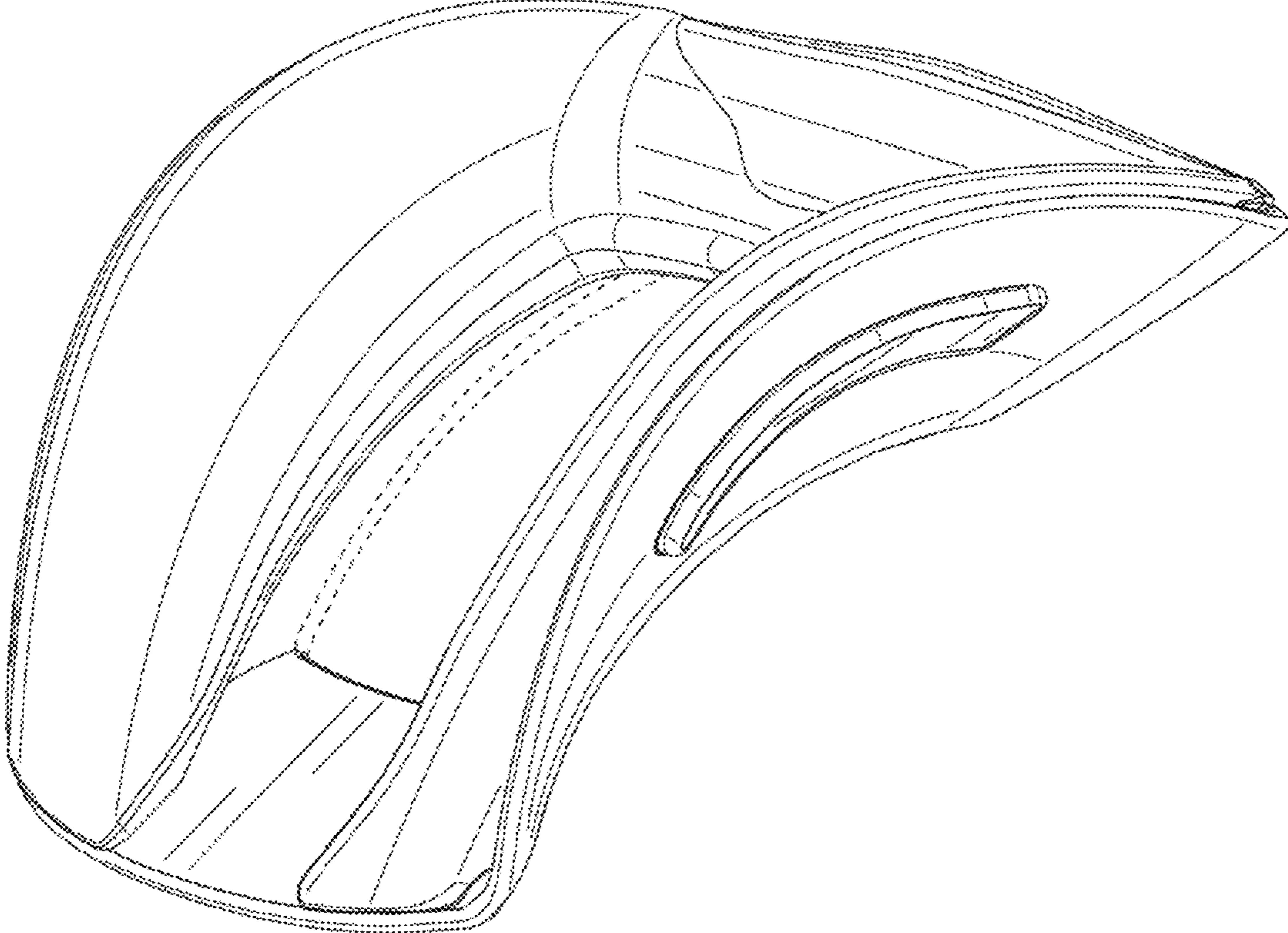


FIG. 1

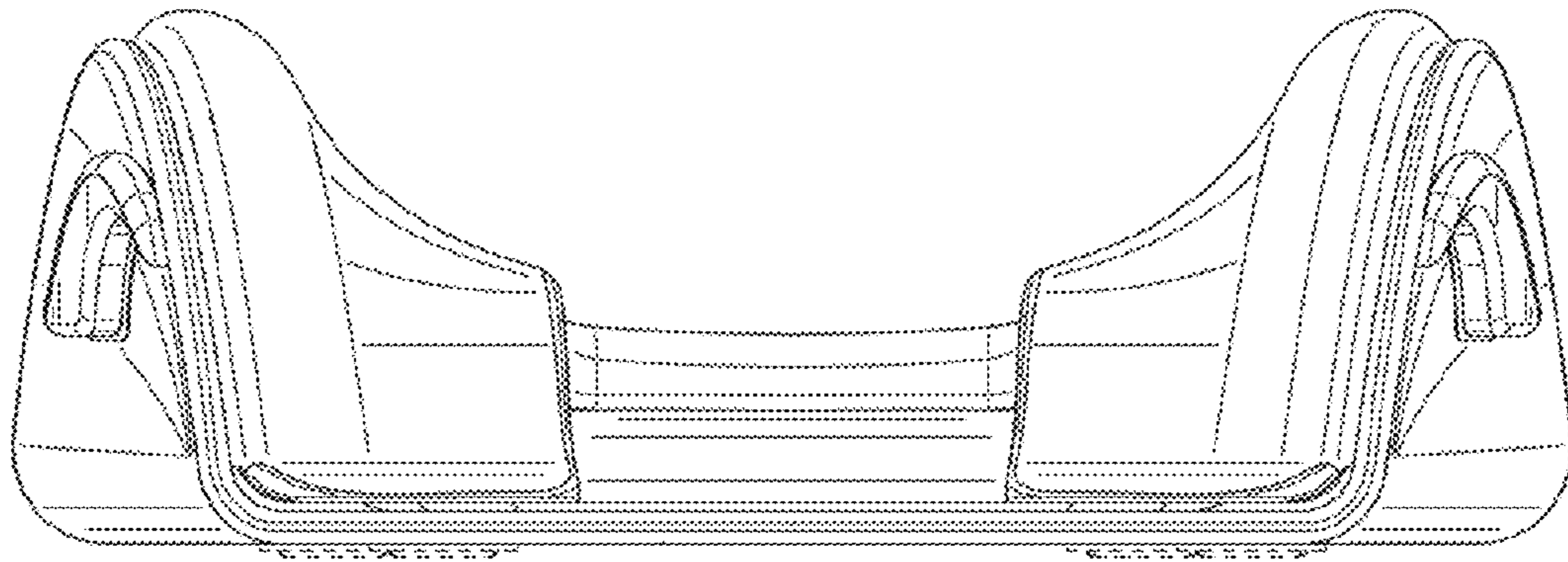


FIG. 2

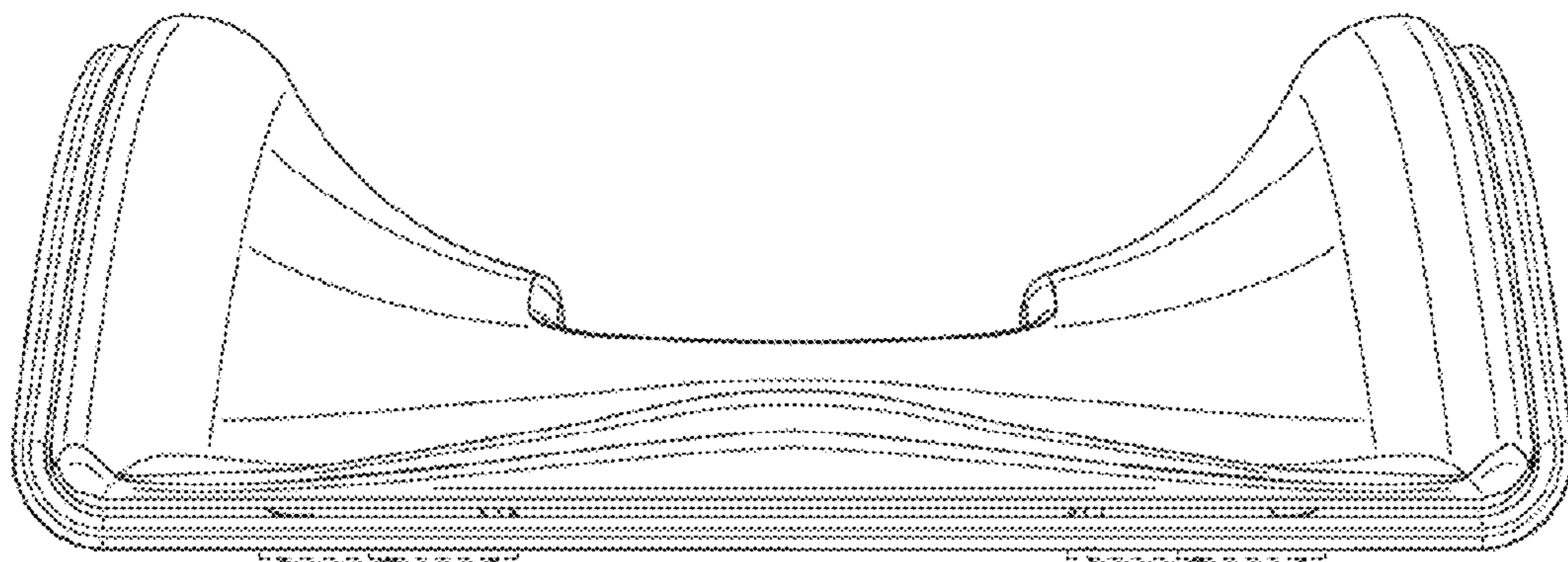


FIG. 3

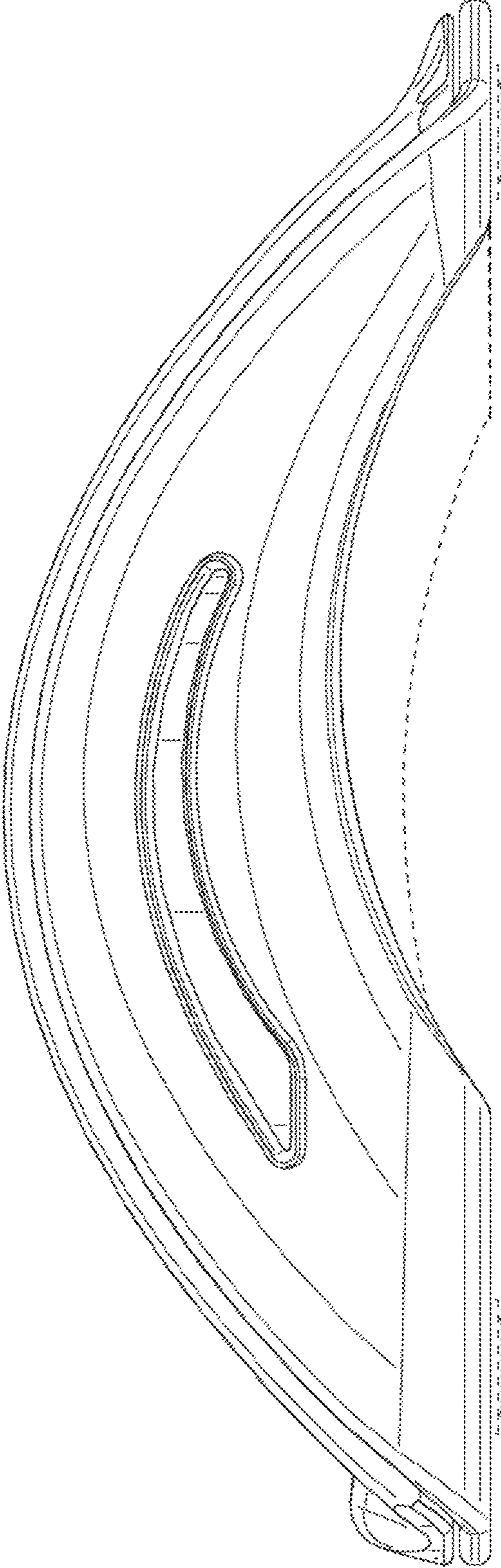


FIG. 4

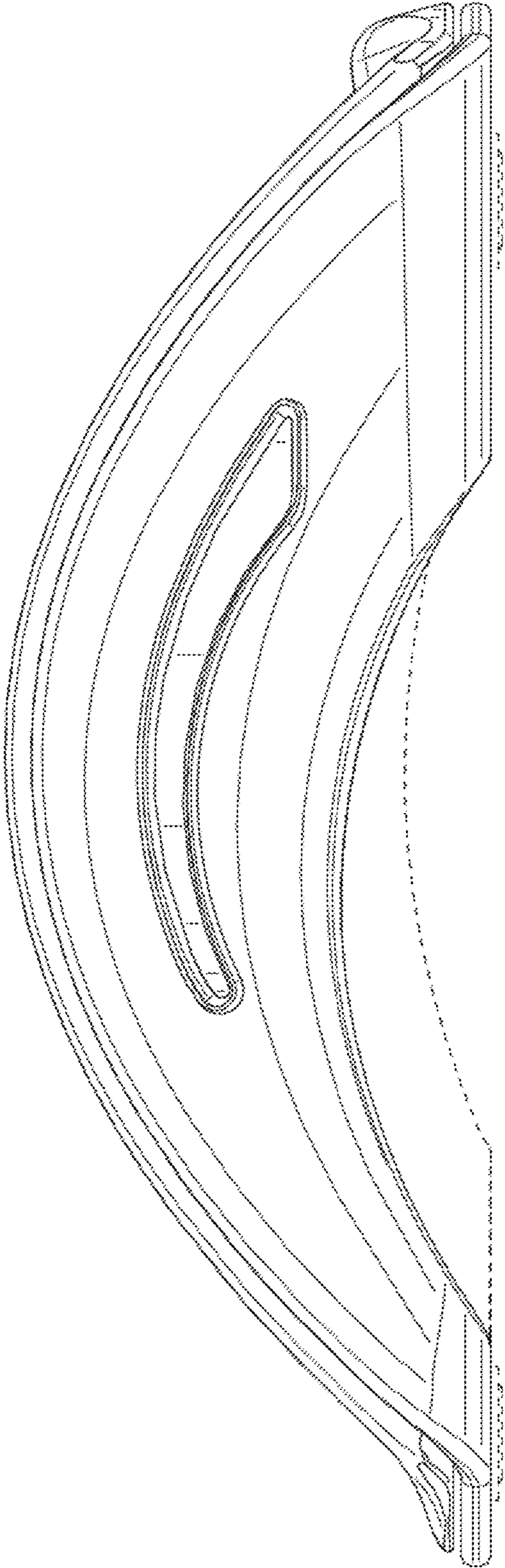


FIG. 5

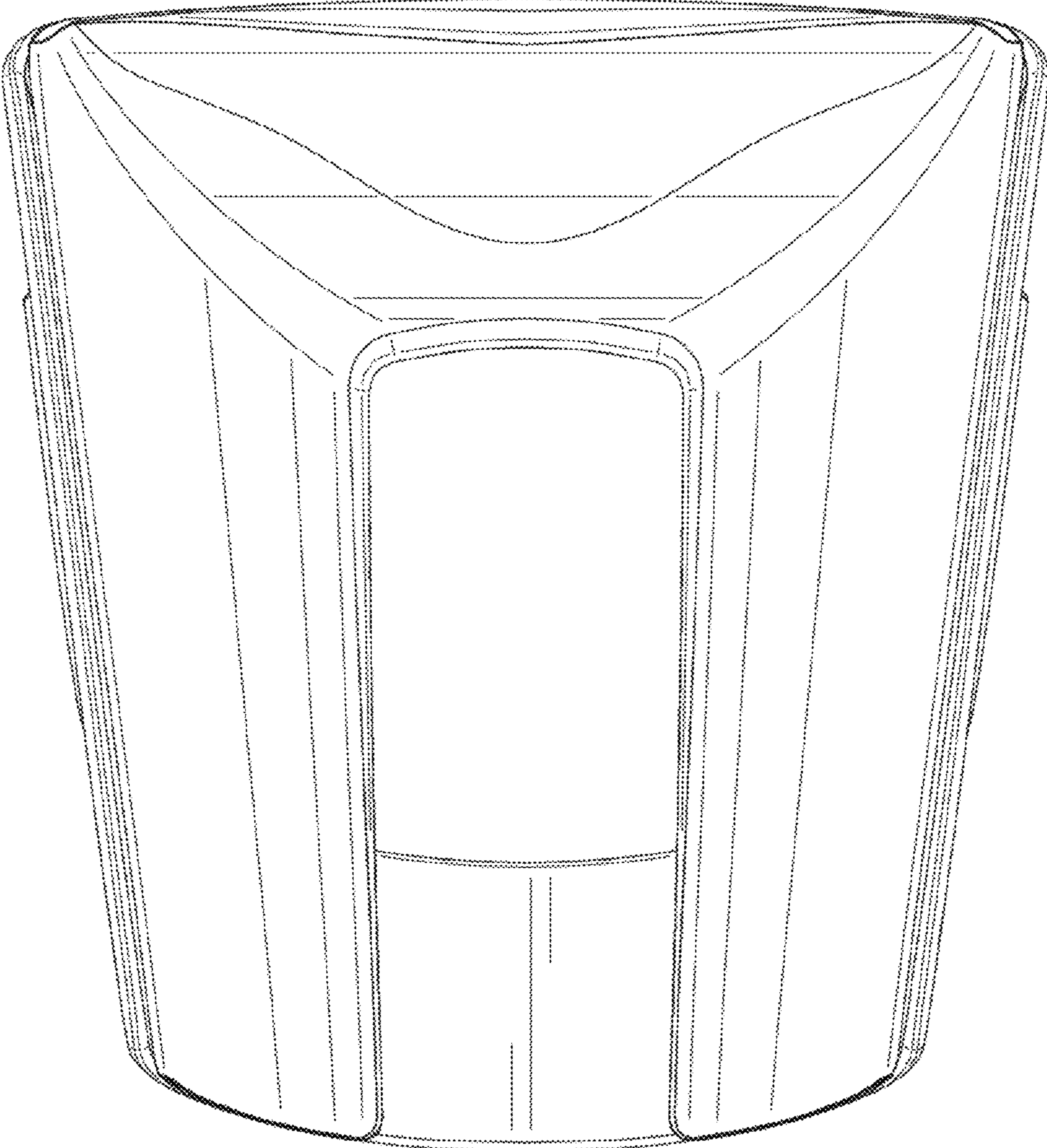


FIG. 6