



US00D732669S

(12) **United States Design Patent**
Fisler et al.

(10) **Patent No.:** **US D732,669 S**
(45) **Date of Patent:** **** Jun. 23, 2015**

(54) **DENTAL ABUTMENT**

(71) Applicant: **Nobel Biocare Services AG**, Kloten (CH)

(72) Inventors: **Jonas Fisler**, Winterthur (CH); **Inaki Gamborena**, San Sebastian (ES)

(73) Assignee: **Nobel Biocare Services AG**, Kloten (CH)

(**) Term: **14 Years**

(21) Appl. No.: **29/474,269**

(22) Filed: **Jul. 29, 2014**

(30) **Foreign Application Priority Data**

Feb. 7, 2014 (EM) 002400952-0001
Feb. 7, 2014 (EM) 002400952-0002

(51) **LOC (10) Cl.** **24-02**

(52) **U.S. Cl.**
USPC **D24/156**

(58) **Field of Classification Search**
USPC D24/155-157; 433/159, 166, 173, 174,
433/220, 221, 225; 439/271
See application file for complete search history.

(56) **References Cited**

U.S. PATENT DOCUMENTS

4,290,755 A * 9/1981 Scott 433/173
D273,984 S * 5/1984 Vlock D24/156
4,519,662 A * 5/1985 Riley et al. 439/271
4,820,159 A * 4/1989 Weissman 433/225
4,854,871 A * 8/1989 Weissman 433/166
D321,560 S * 11/1991 Miller D24/156

D342,314 S * 12/1993 Miller D24/156
D358,212 S * 5/1995 Sullivan D24/156
D366,115 S * 1/1996 Sullivan D24/156
5,669,772 A * 9/1997 Musikant et al. 433/221
5,775,910 A * 7/1998 Orrico 433/221
6,450,815 B1 * 9/2002 Weisman 433/220
7,306,461 B2 * 12/2007 Bell 433/159
D567,378 S * 4/2008 Nordahl et al. D24/156
D652,929 S * 1/2012 Sibhatu et al. D24/156
2003/0113691 A1 * 6/2003 Ben-Yaakov et al. 433/220
2003/0219700 A1 * 11/2003 Lax 433/221
2003/0235805 A1 * 12/2003 Lax 433/220
2013/0071814 A1 * 3/2013 Boehner et al. 433/220
2013/0089835 A1 * 4/2013 Jensen 433/174
2013/0108984 A1 * 5/2013 Zipprich 433/173

* cited by examiner

Primary Examiner — Ian Simmons

Assistant Examiner — Charles Hanson

(74) *Attorney, Agent, or Firm* — Knobbe Martens Olson & Bear LLP

(57) **CLAIM**

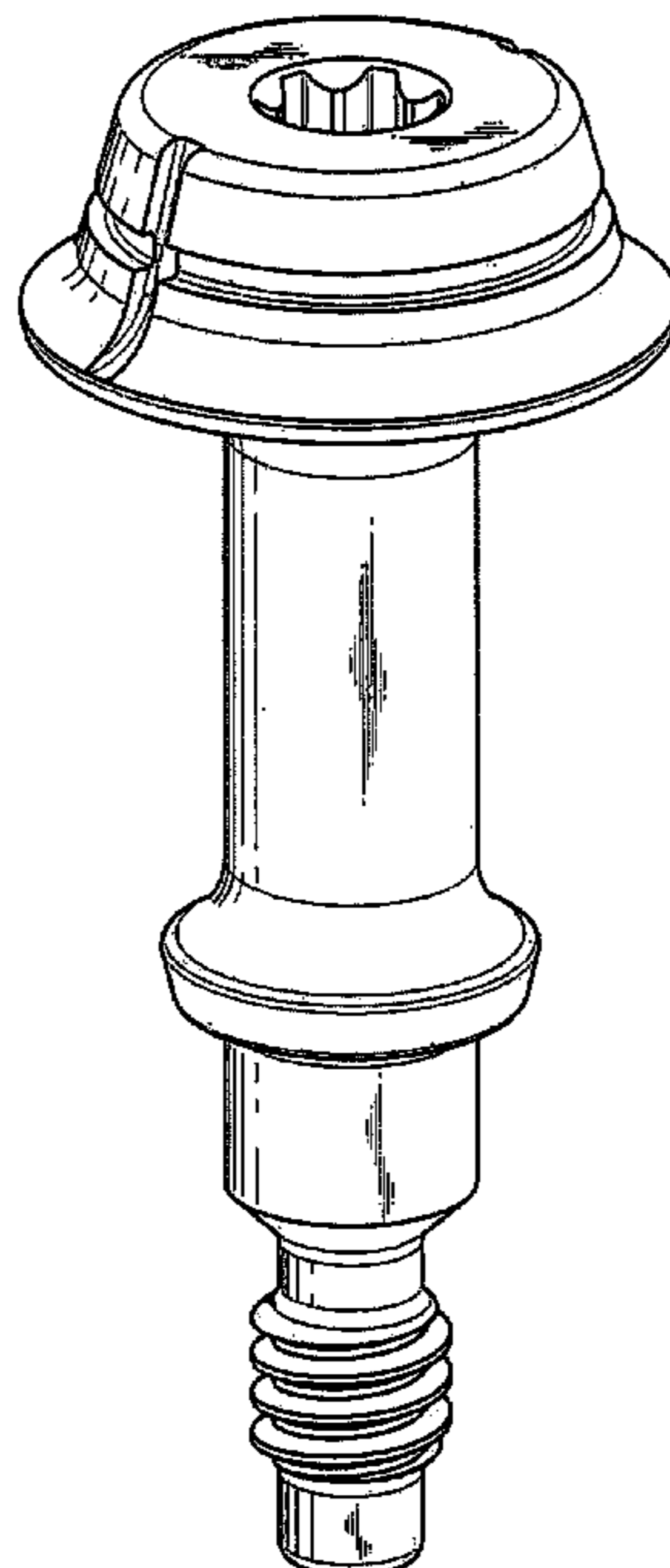
The ornamental design for dental abutment, as shown and described.

DESCRIPTION

FIG. 1 is a top perspective view of a first embodiment of a dental abutment embodying the new design.
FIG. 2 is a first side view thereof.
FIG. 3 is a second side view thereof.
FIG. 4 is a third side view thereof.
FIG. 5 is a fourth side view thereof.
FIG. 6 is a bottom view thereof; and,
FIG. 7 is a top view thereof.

Broken lines are used to illustrate features of the dental abutment which form no part of the claimed design.

1 Claim, 6 Drawing Sheets



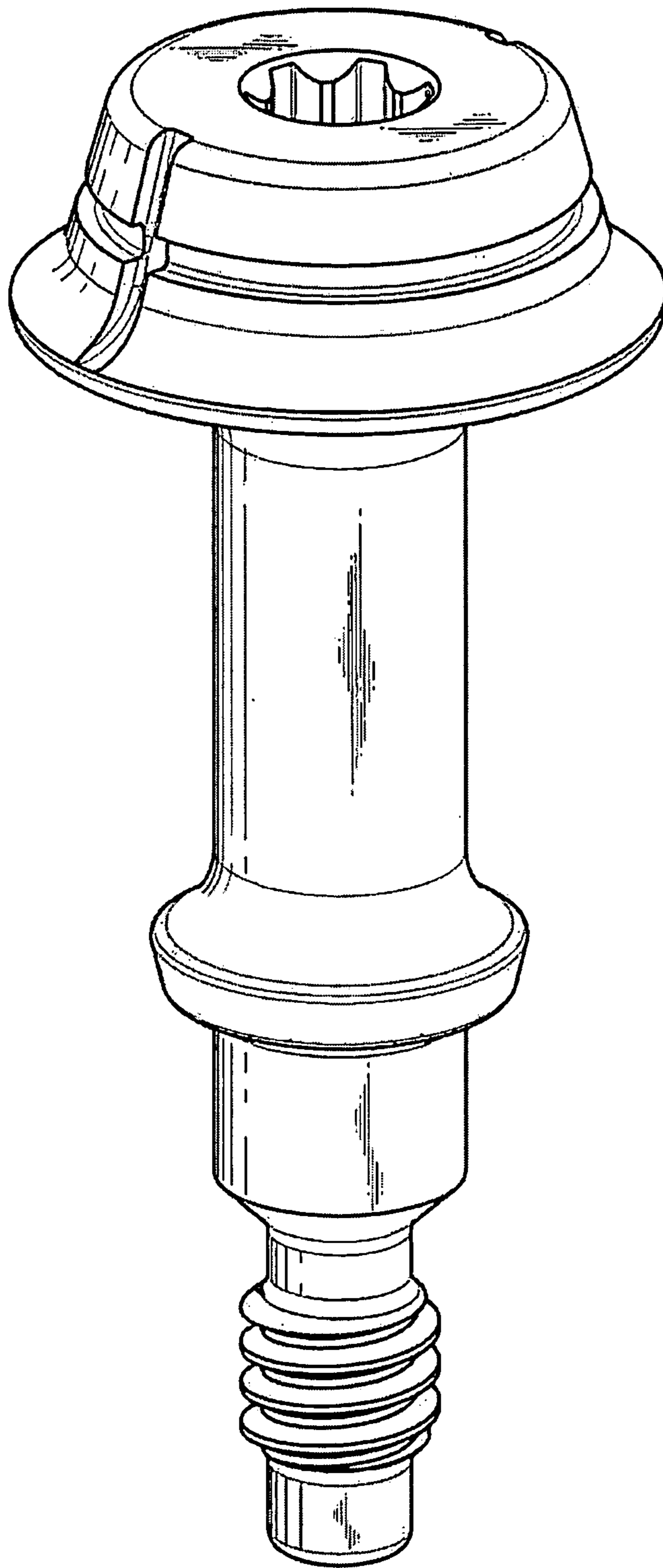


FIG. 1

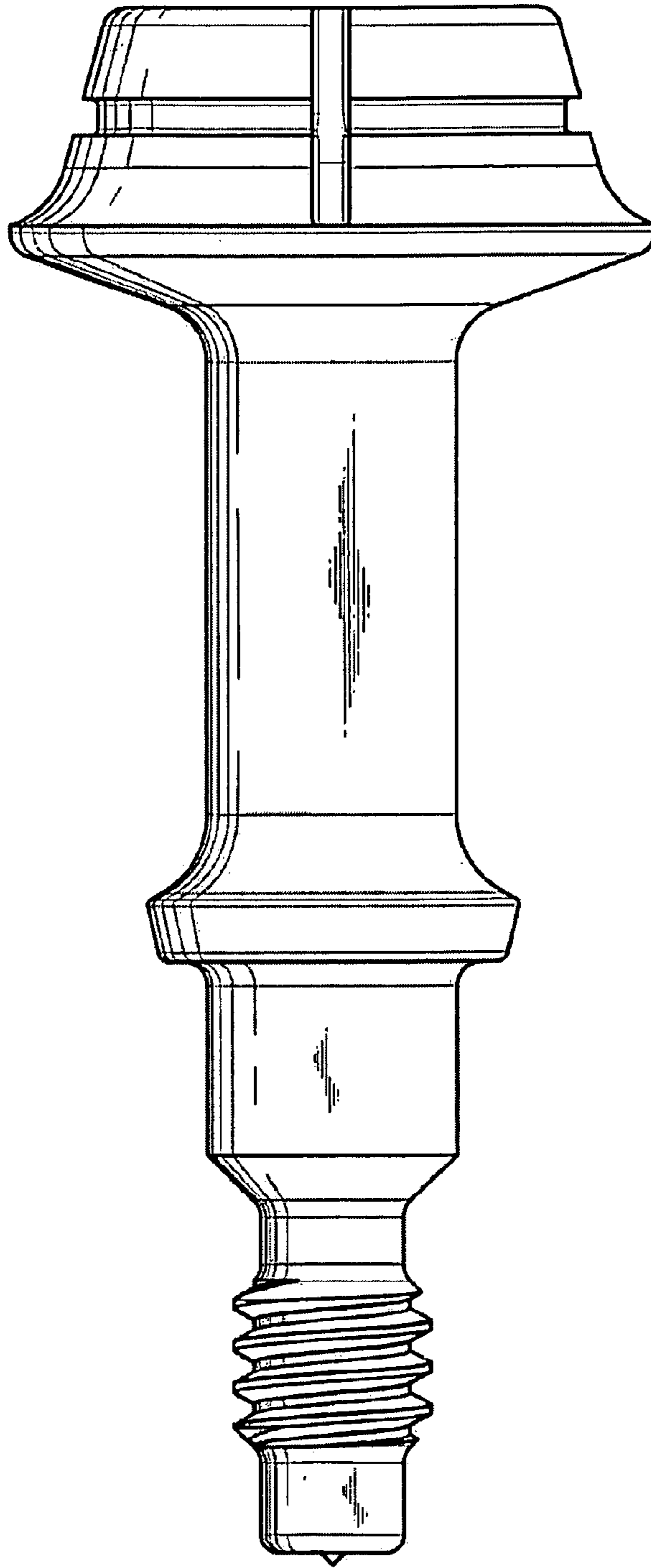


FIG. 2

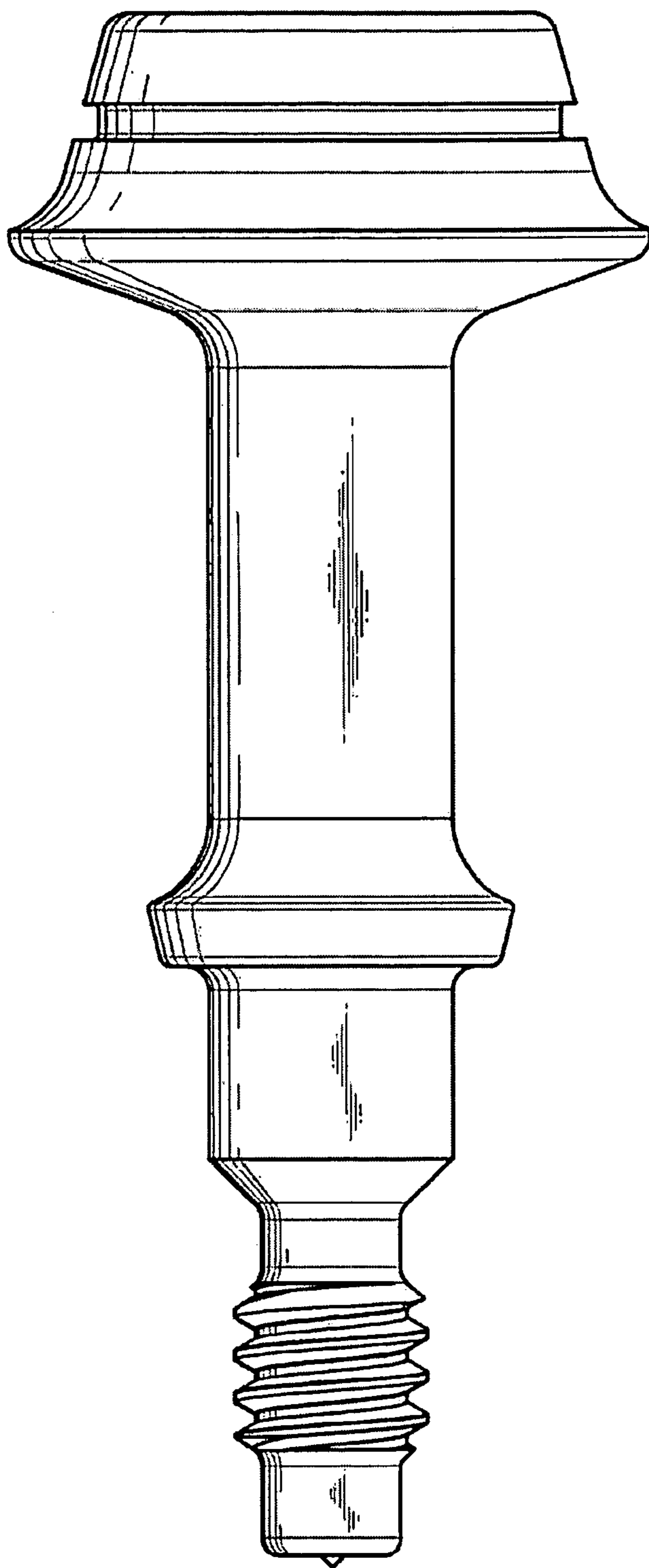


FIG. 3

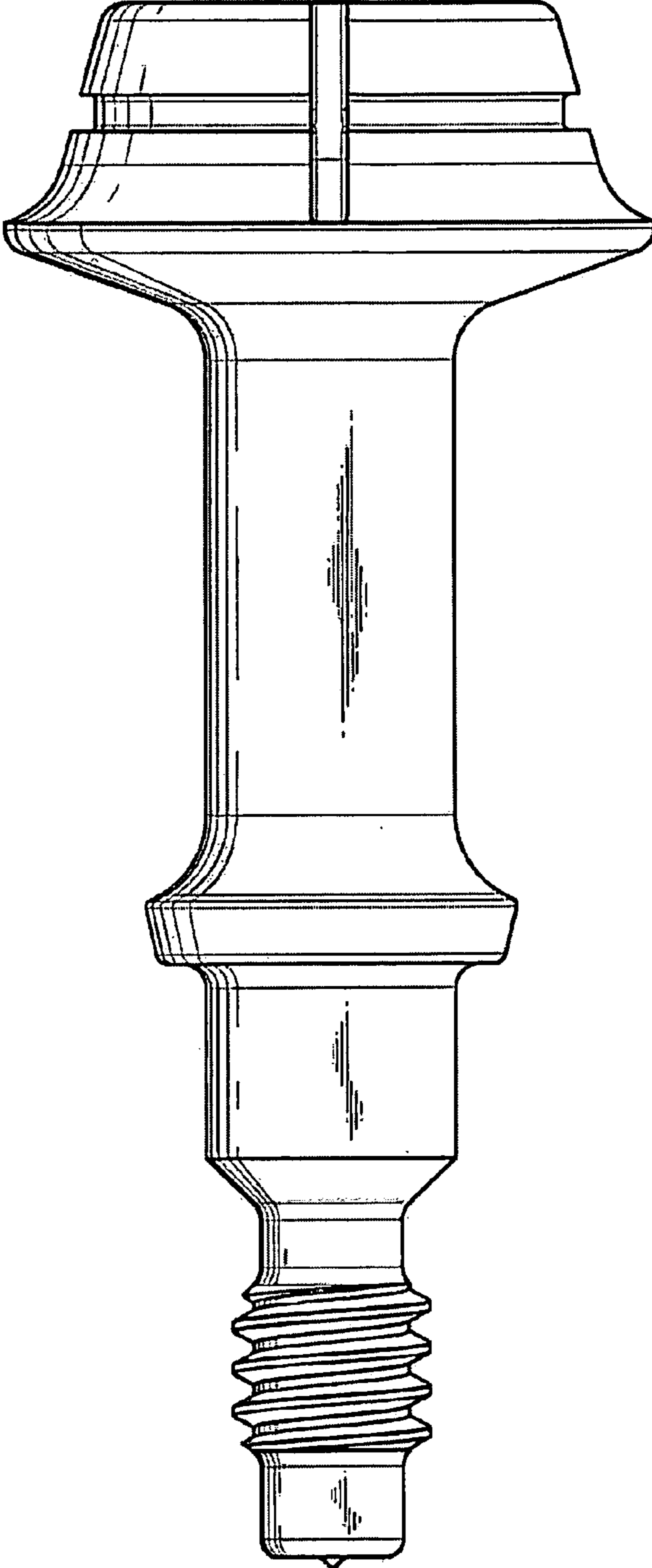


FIG. 4

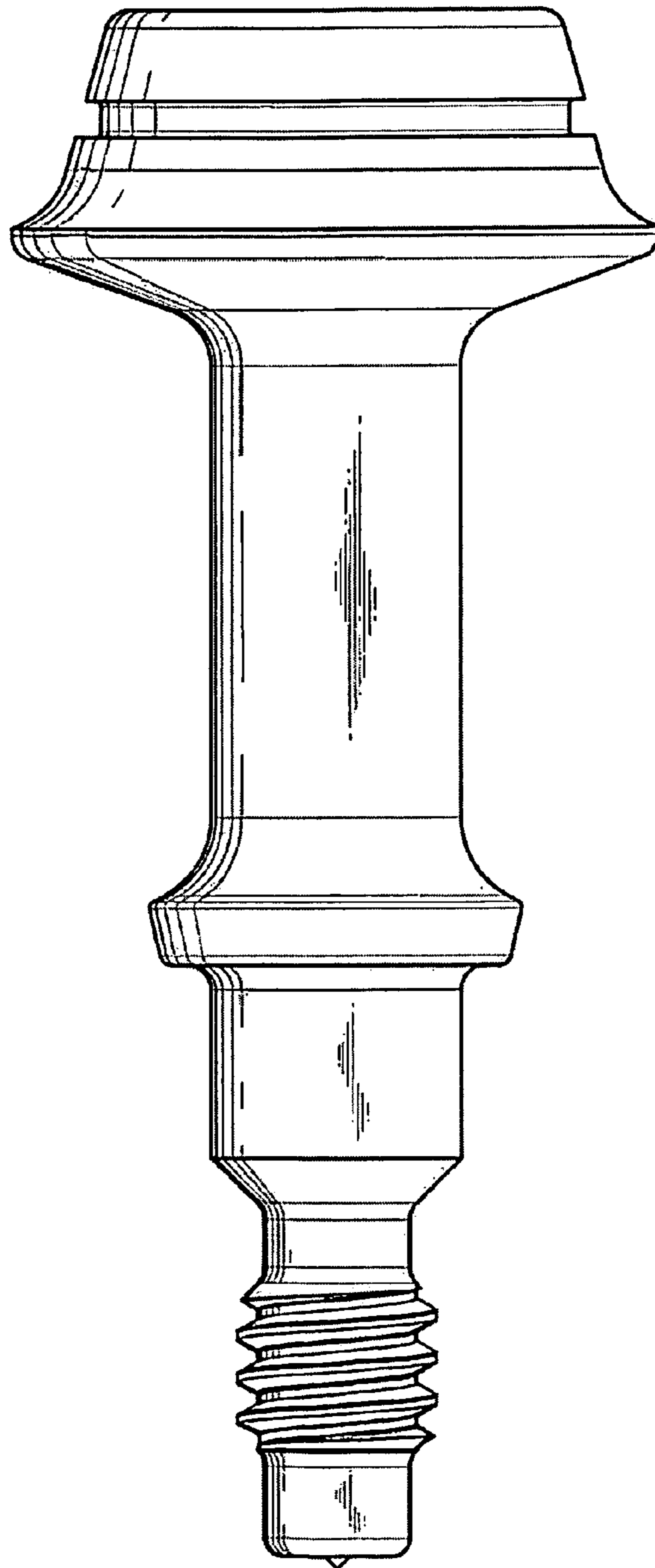


FIG. 5

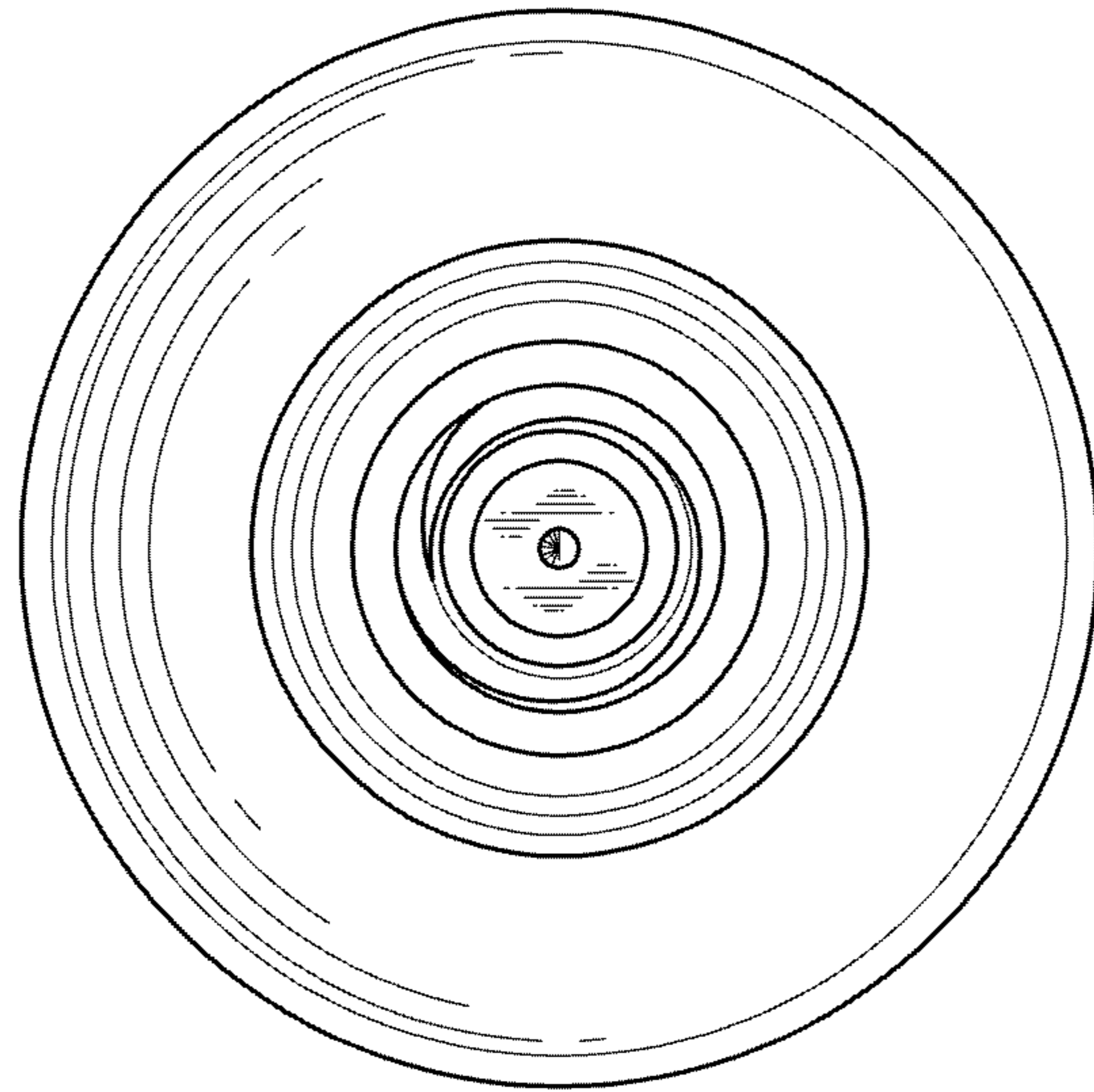


FIG. 6

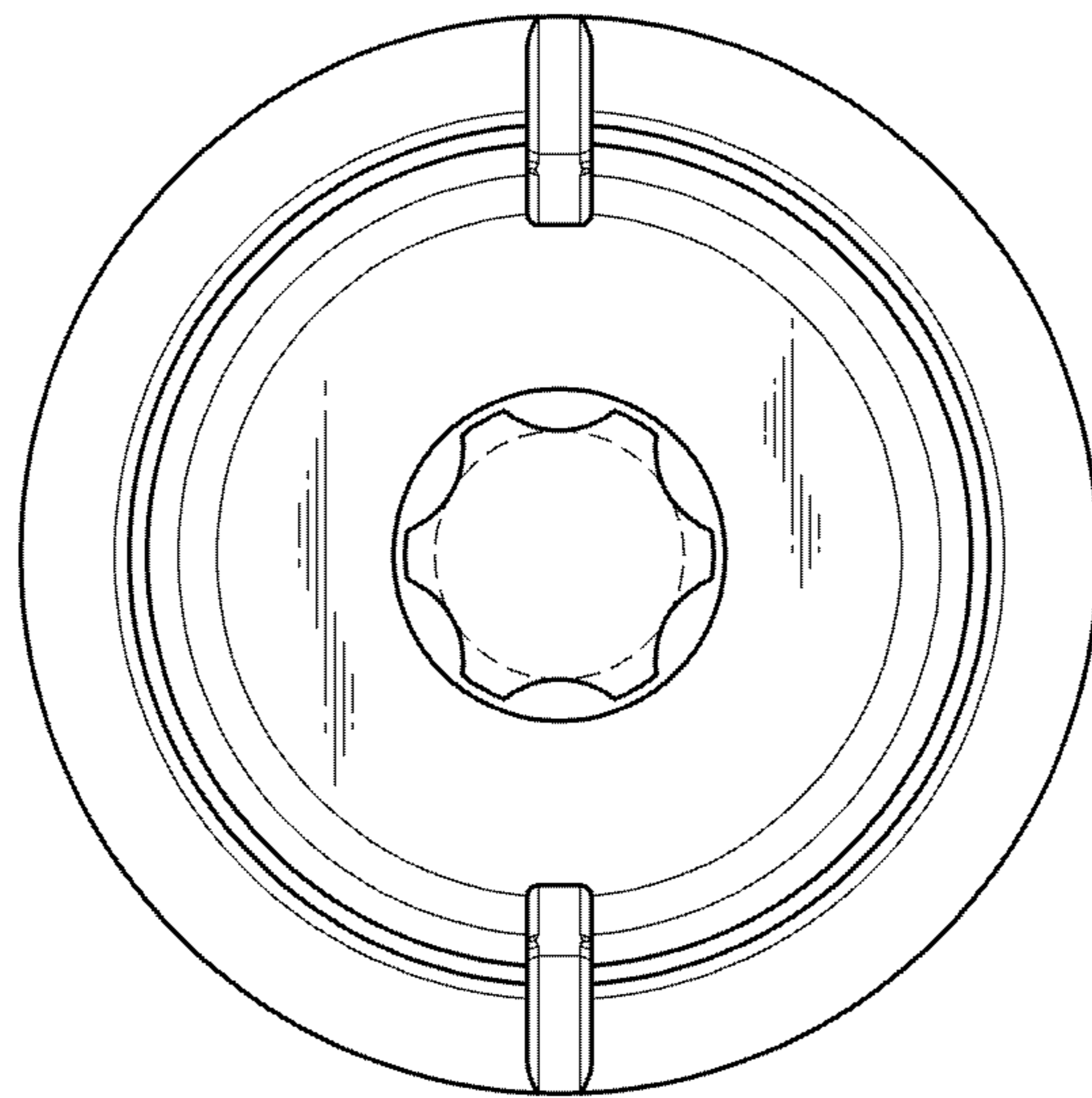


FIG. 7