

US00D732664S

(12) **United States Design Patent**
Woehr et al.

(10) **Patent No.:** **US D732,664 S**
(45) **Date of Patent:** **** Jun. 23, 2015**

(54) **PROXIMAL CATHETER HUB BODY**

(71) Applicant: **B. BRAUN MELSUNGEN AG**,
Melsungen (DE)

(72) Inventors: **Kevin Woehr**, Felsberg (DE); **Helmut
Freigang**, Korle (DE); **Michael Zerbes**,
Wabern (DE)

(73) Assignee: **B. Braun Melsungen AG**, Melsungen
(DE)

(**) Term: **14 Years**

(21) Appl. No.: **29/446,550**

(22) Filed: **Feb. 25, 2013**

(51) **LOC (10) Cl.** **24-02**

(52) **U.S. Cl.**
USPC **D24/130**

(58) **Field of Classification Search**

USPC D24/112–114, 129, 130, 127, 133, 186,
D24/108; 606/181, 185; 604/264, 500, 506,
604/272, 115, 164.01–164.09, 533, 232,
604/187, 168.01, 192, 19, 48, 93.01, 523,
604/524, 526; 600/101, 139, 143;
128/200.24, 207.14, 207.15

See application file for complete search history.

(56) **References Cited**

U.S. PATENT DOCUMENTS

D321,251 S * 10/1991 Jepson et al. D24/112
5,447,500 A * 9/1995 Bergstresser et al. 604/198

D393,722 S * 4/1998 Fangrow et al. D24/112
D435,652 S * 12/2000 Nazarifar et al. D24/129
6,673,059 B2 * 1/2004 Guala 604/533
D506,256 S * 6/2005 Miyoshi et al. D24/129
D594,981 S * 6/2009 Bierman et al. D24/130
7,947,032 B2 * 5/2011 Harding et al. 604/533
8,152,790 B2 * 4/2012 Lopez et al. 604/533
8,206,375 B2 * 6/2012 Snow 604/533
D691,261 S * 10/2013 Kawamura D24/130
8,568,365 B2 * 10/2013 Reid 604/198
8,715,248 B2 * 5/2014 McKinnon 604/246

* cited by examiner

Primary Examiner — David Muller

(74) *Attorney, Agent, or Firm* — Klein, O'Neill & Singh,
LLP

(57) **CLAIM**

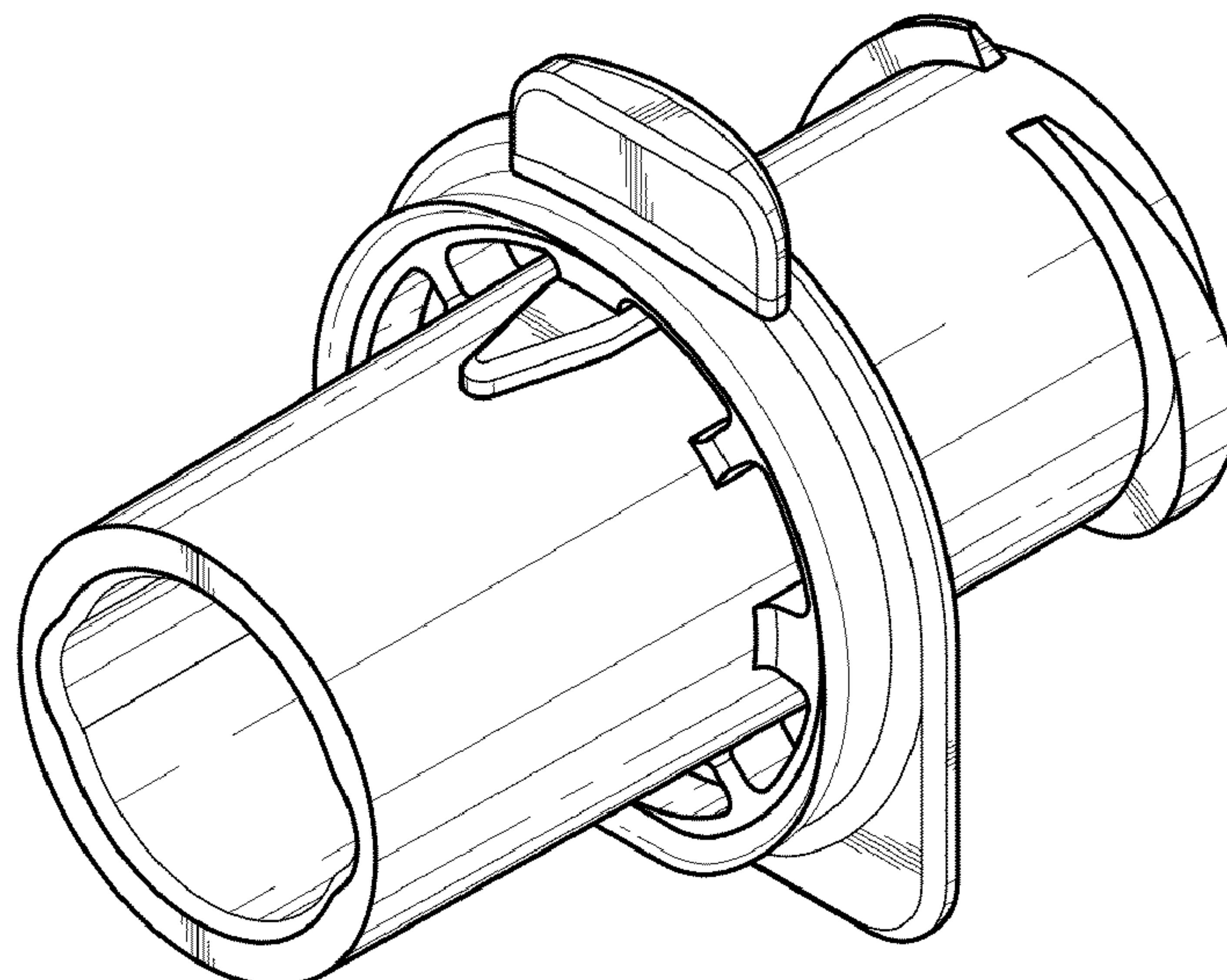
The ornamental design for a proximal catheter hub body, as
shown and described.

DESCRIPTION

FIG. 1 is a perspective view of a proximal catheter hub body,
showing our new design;
FIG. 2 is a perspective view of the same design from a differ-
ent viewing angle;
FIG. 3 is a top plan view thereof
FIG. 4 is a left side elevation view thereof;
FIG. 5 is a right side elevation view thereof;
FIG. 6 is a bottom plan view thereof;
FIG. 7 is a rear elevation view thereof; and,
FIG. 8 is a front elevation view thereof.

The features shown in broken lines depict environmental
subject matter only and form no part of the claimed design.

1 Claim, 3 Drawing Sheets



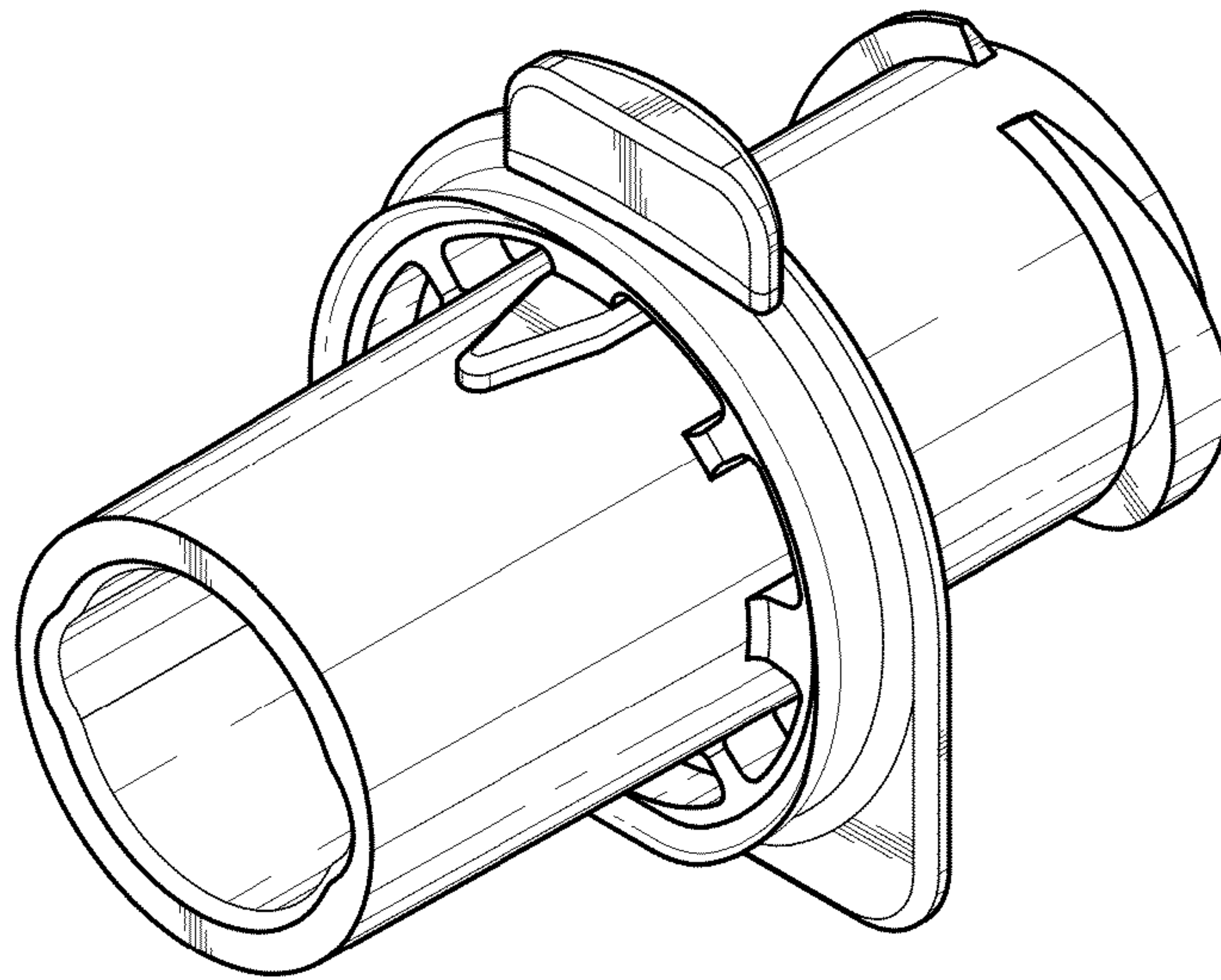


FIG. 1

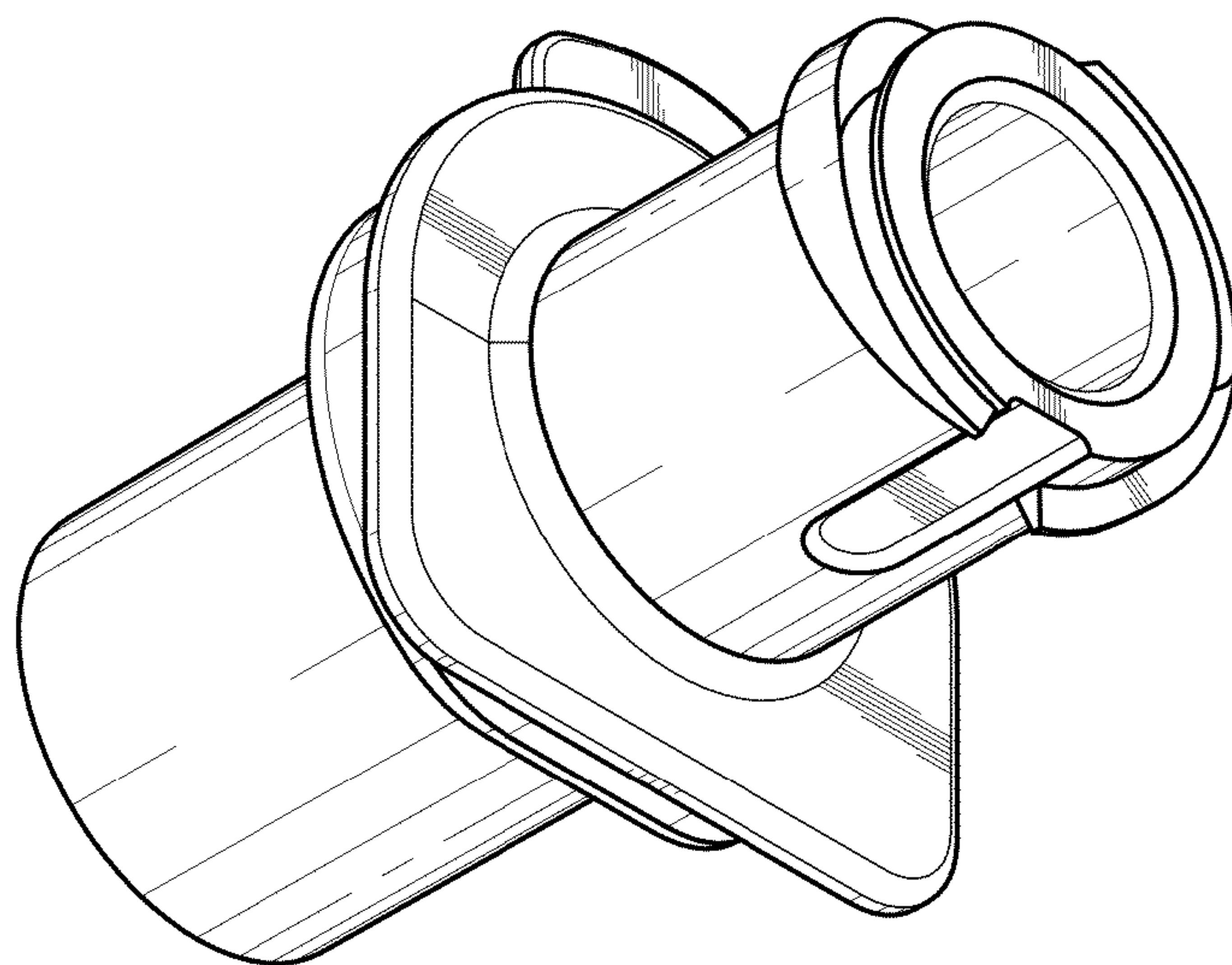


FIG. 2

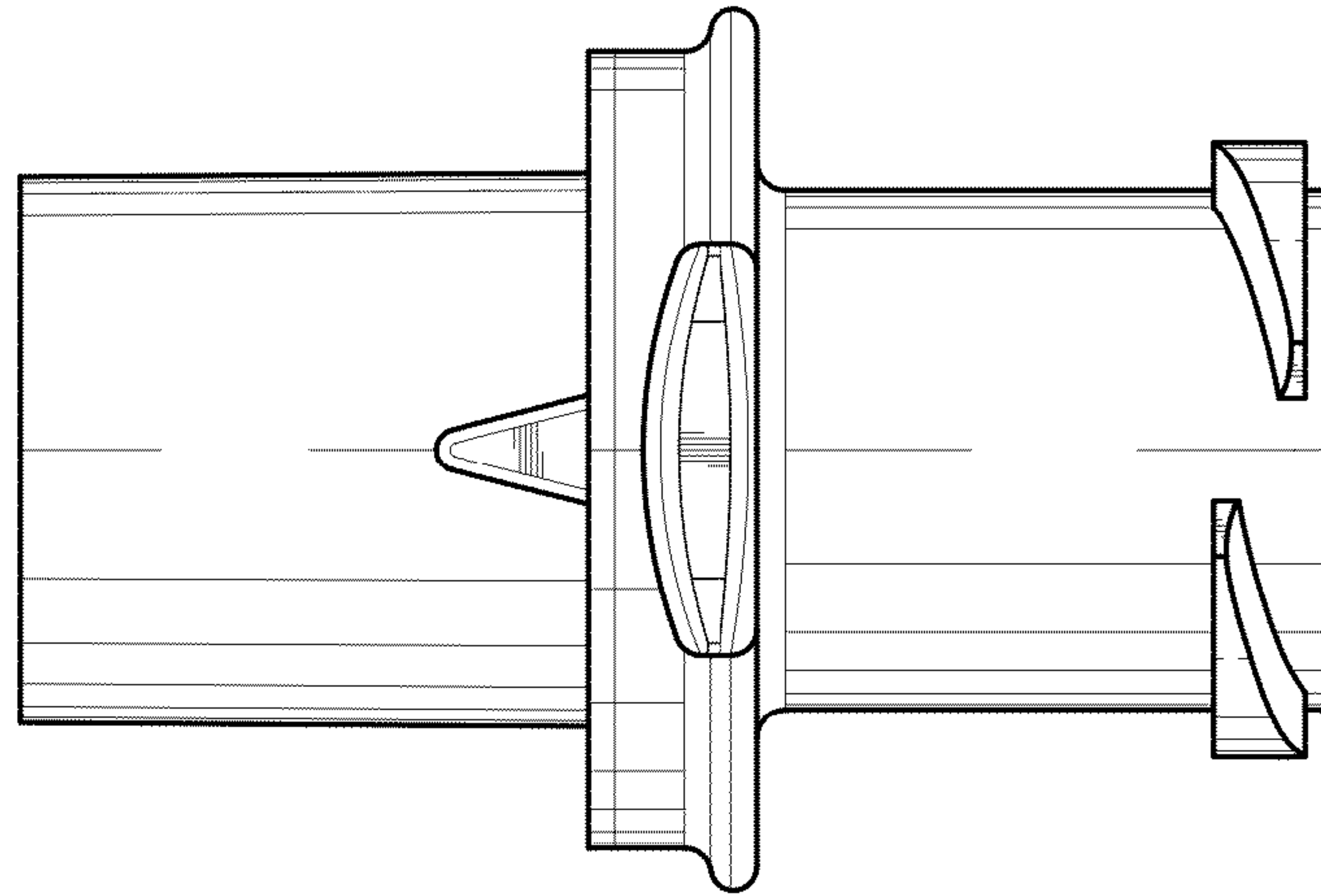


FIG. 3

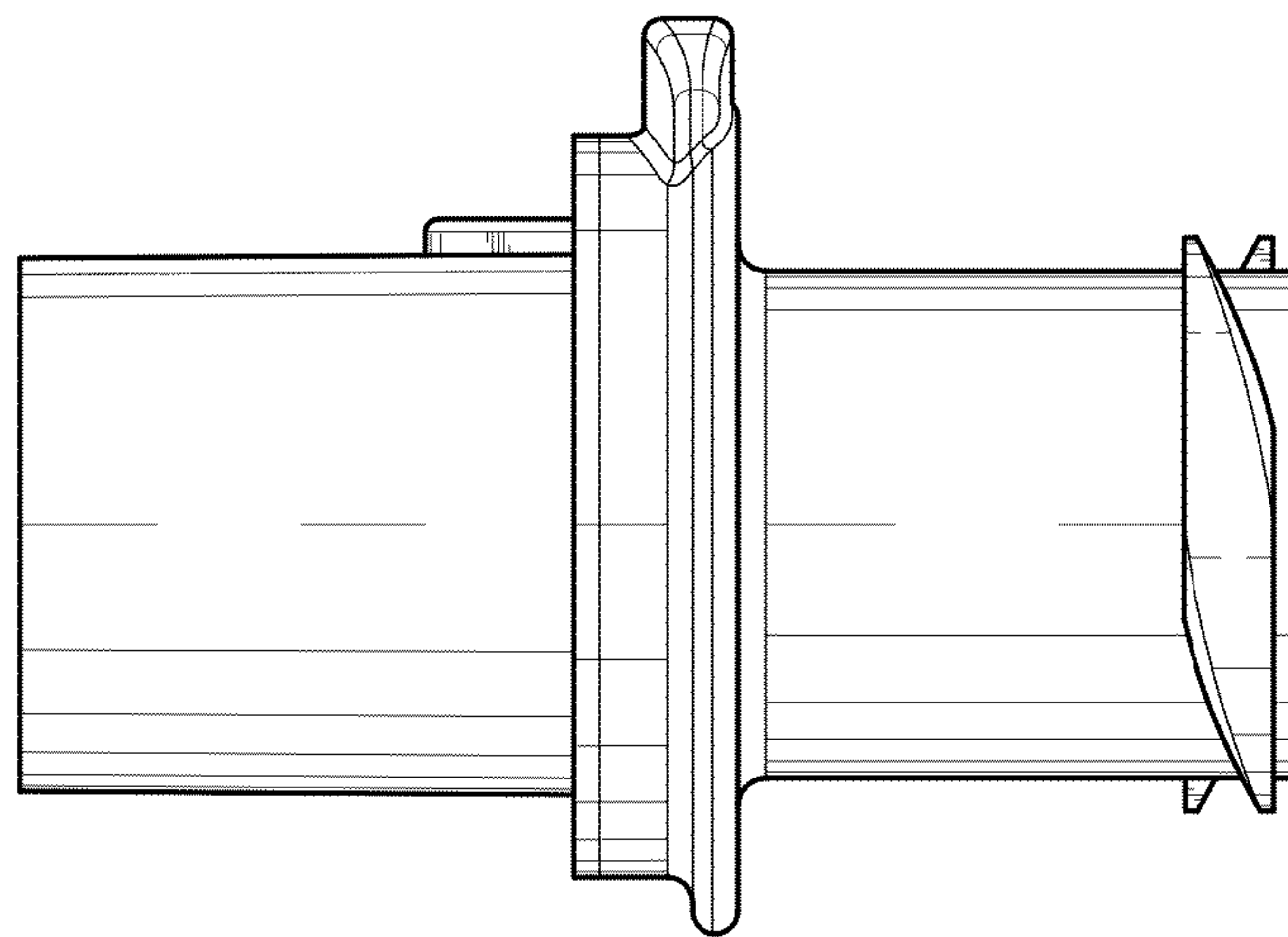


FIG. 4

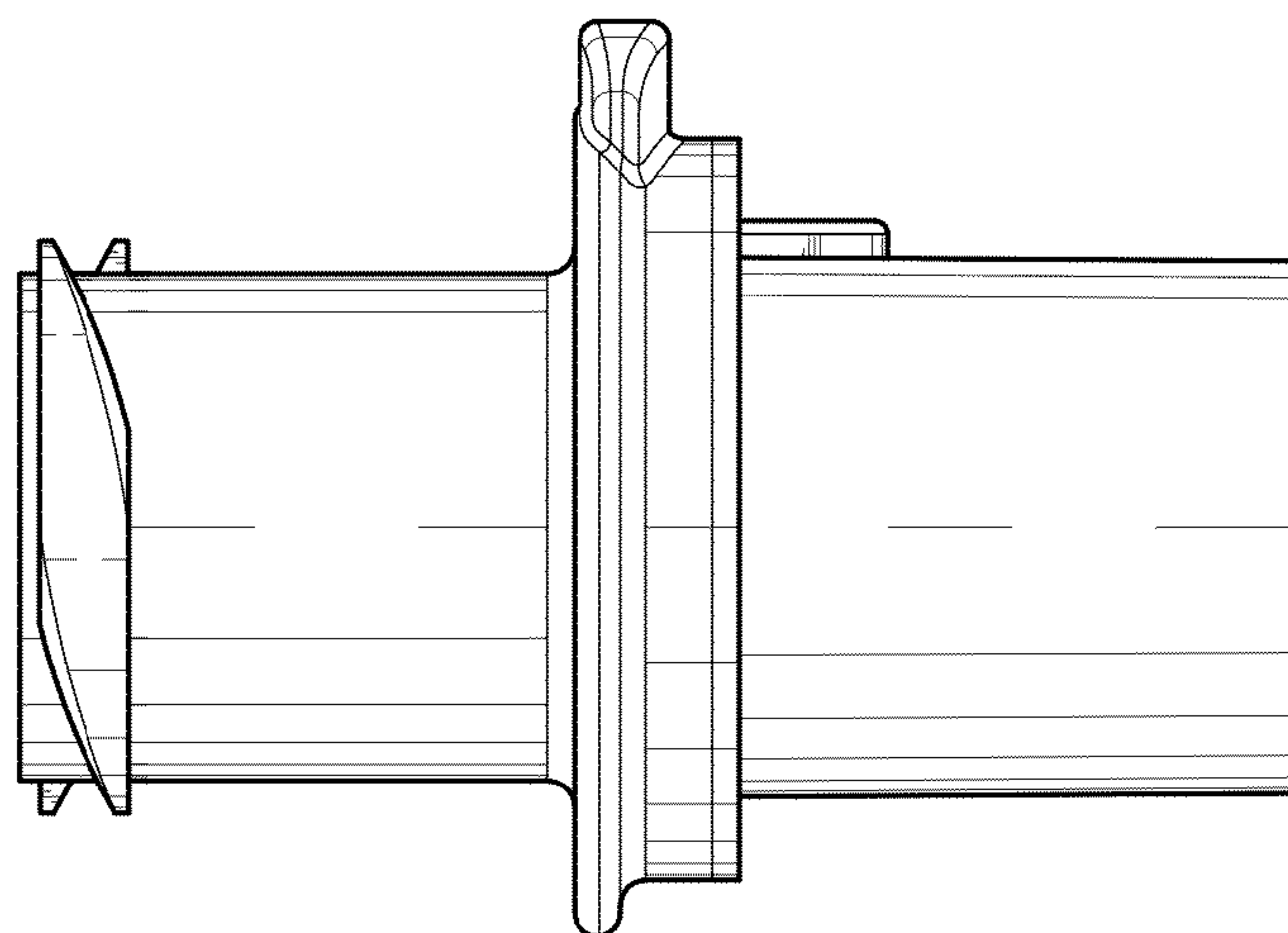


FIG. 5

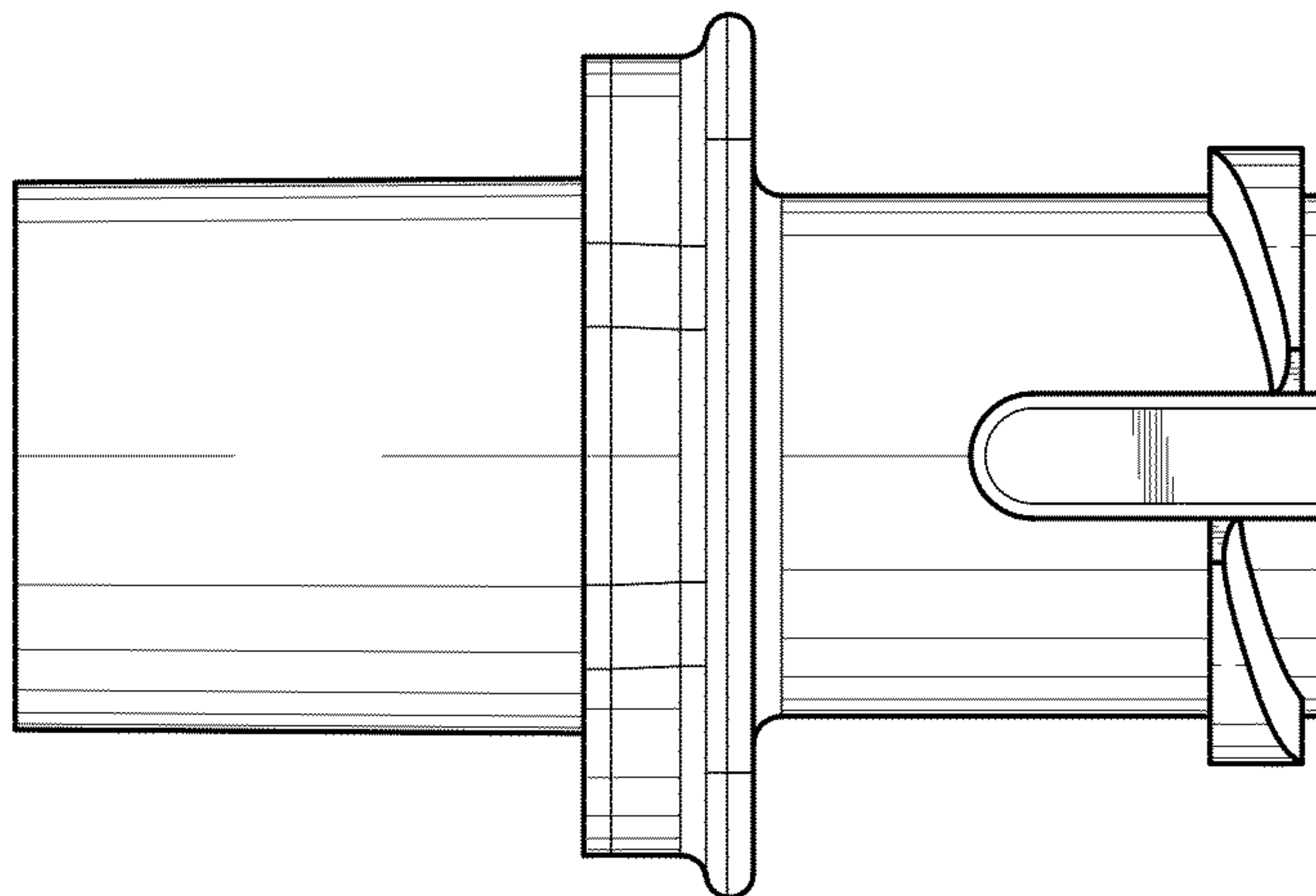


FIG. 6

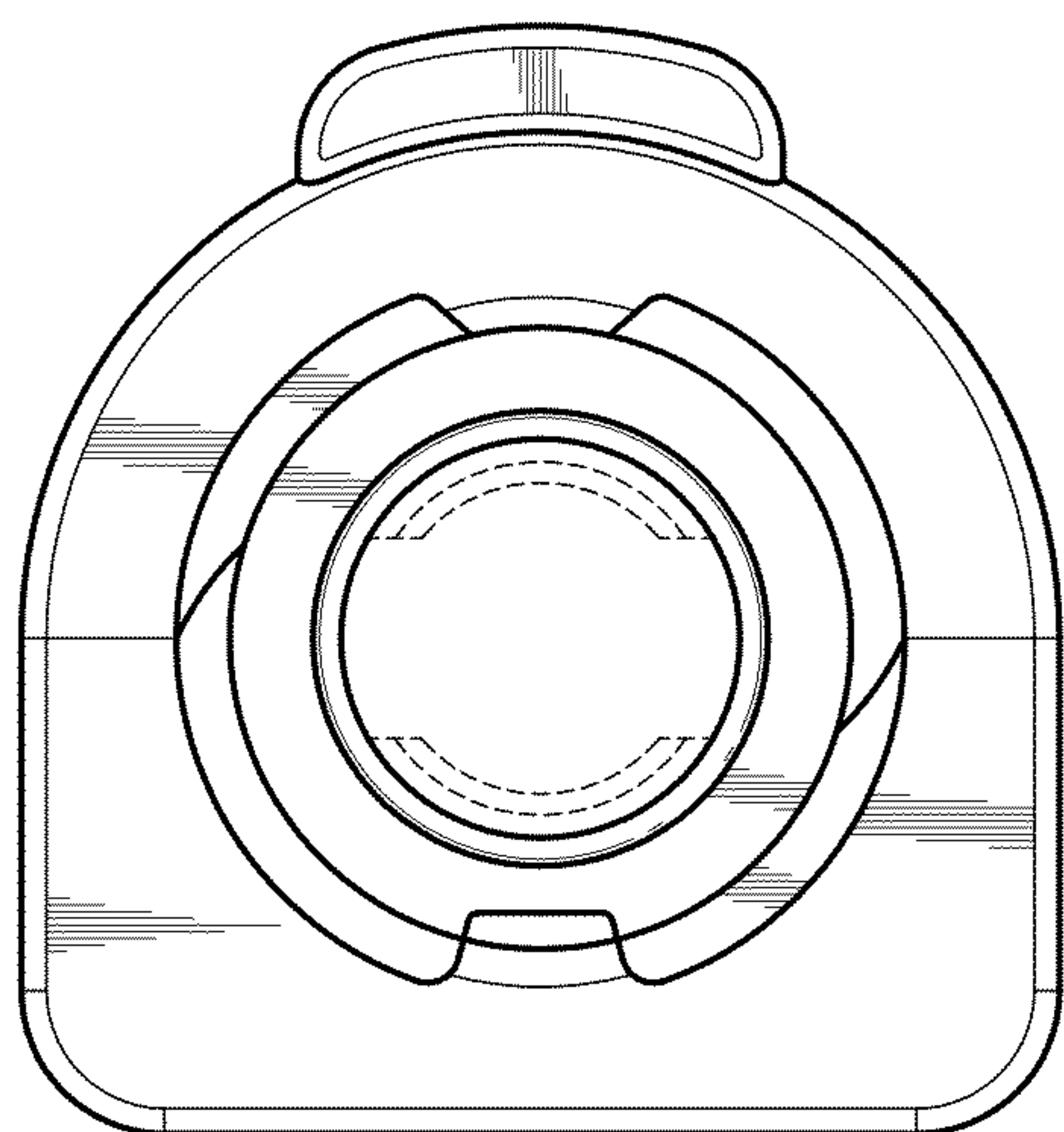


FIG. 7

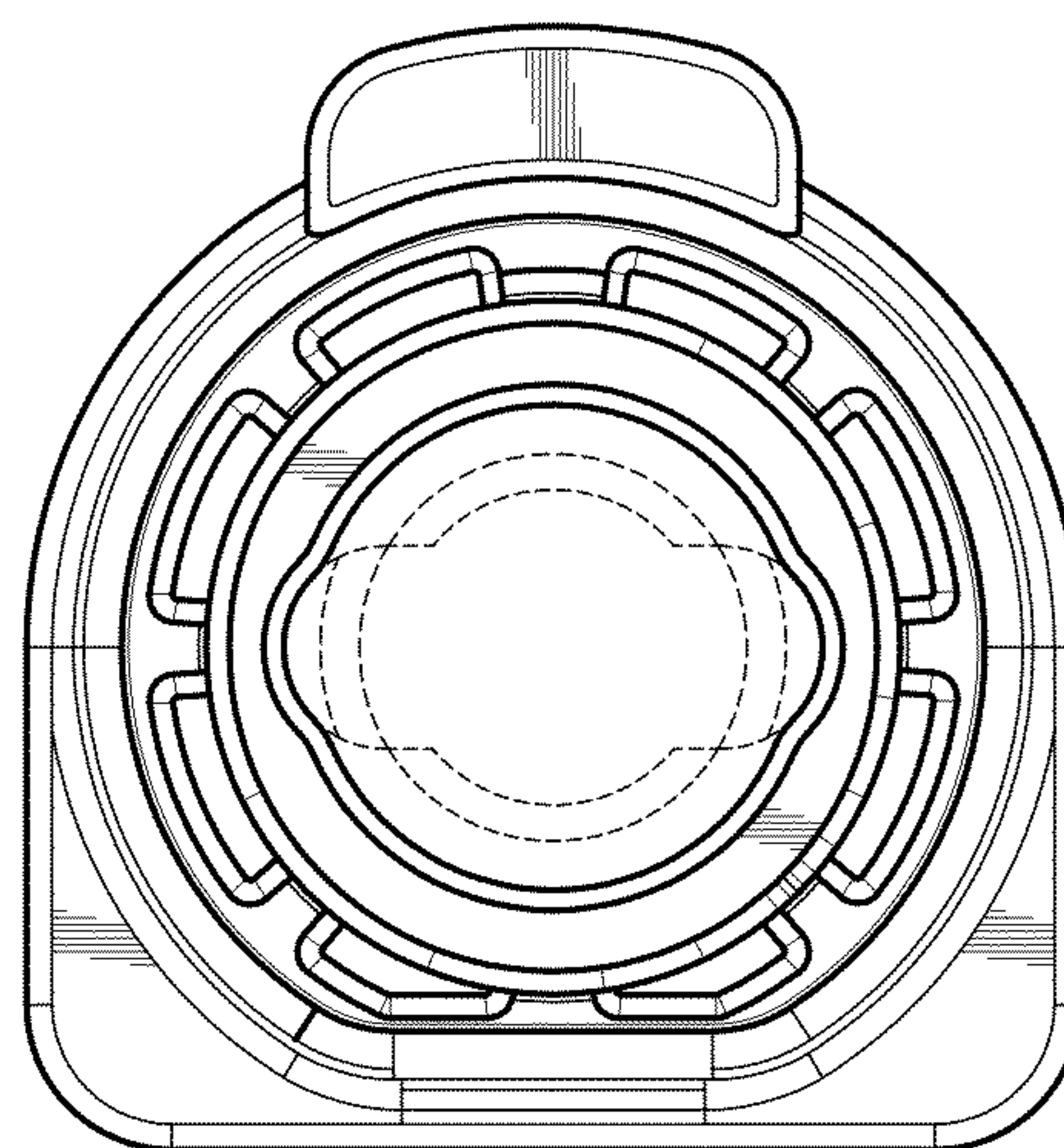


FIG. 8

UNITED STATES PATENT AND TRADEMARK OFFICE
CERTIFICATE OF CORRECTION

PATENT NO. : D732,664 S
APPLICATION NO. : 29/446550
DATED : June 23, 2015
INVENTOR(S) : Kevin Woehr et al.

Page 1 of 1

It is certified that error appears in the above-identified patent and that said Letters Patent is hereby corrected as shown below:

Title page below “(22) Filed: **Feb. 25, 2013**” Insert:

-- (30) **Foreign Application Priority Data**

Dec. 17, 2012 (DE) 002154492-0005 --.

Signed and Sealed this
Sixteenth Day of August, 2016



Michelle K. Lee
Director of the United States Patent and Trademark Office

UNITED STATES PATENT AND TRADEMARK OFFICE
CERTIFICATE OF CORRECTION

PATENT NO. : D732,664 S
APPLICATION NO. : 29/446550
DATED : June 23, 2015
INVENTOR(S) : Kevin Woehr et al.

Page 1 of 5

It is certified that error appears in the above-identified patent and that said Letters Patent is hereby corrected as shown below:

Delete Title page with illustrative figure, and replace with new Title page with illustrative figure.
(attached)

In the Drawings

Replace drawing sheets, with new drawing sheets. (attached)

Signed and Sealed this
Twenty-third Day of August, 2016



Michelle K. Lee
Director of the United States Patent and Trademark Office

(12) **United States Design Patent**
Woehr et al.

(10) **Patent No.:** **US D732,664 S**
(45) Date of Patent: **** Jun. 23, 2015**

(54) **PROXIMAL CATHETER HUB BODY**

(71) **Applicant:** **R. BRAUN MELSUNGEN AG,**
Melsungen (DE)

(72) **Inventors:** **Kevin Woehr, Feltberg (DE); Helmut**
Freigang, Korle (DE); Michael Zerbes,
Wabern (DE)

(73) **Assignee:** **B. Braun Melsungen AG, Melsungen**
(DE)

(**) **Term:** **14 Years**

(21) **Appl. No.:** **29/446,550**

(22) **Filed:** **Feb. 25, 2013**

(51) **LOC (10) CL** **24-02**

(52) **U.S. CL**
USPC **D24/130**

(58) **Field of Classification Search**
USPC **D24/112-114, 129, 130, 127, 133, 186,**
D24/108; 606/181, 185; 604/264, 500, 506,
604/272, 115, 164.01-164.09, 533, 232,
604/187, 168.01, 192, 19, 48, 93.01, 523,
604/524, 526; 600/101, 139, 143;
128/200.24, 207.14, 207.15

See application file for complete search history.

(56) **References Cited**

U.S. PATENT DOCUMENTS

D321,251 S * 10/1991 Jeepon et al. D24/112
 5,447,500 A * 9/1995 Bergstrosser et al. 604/198

D393,722 S * 4/1998 Fangrow et al. D24/112
 D435,652 S * 12/2000 Nazariifar et al. D24/129
 6,673,059 B2 * 1/2004 Guala 604/533
 D506,256 S * 6/2005 Miyoshi et al. D24/129
 D594,981 S * 6/2009 Bierman et al. D24/130
 7,947,032 B2 * 5/2011 Harding et al. 604/533
 8,152,790 B2 * 4/2012 Lopez et al. 604/533
 8,206,375 B2 * 6/2012 Snow 604/533
 D691,261 S * 10/2013 Kawamura D24/130
 8,568,365 B2 * 10/2013 Reid 604/198
 8,715,248 B2 * 5/2014 McKinnon 604/246

* cited by examiner

Primary Examiner — David Muller

(74) *Attorney, Agent, or Firm* — Klein, O'Neill & Singh,
 LLP

(57) **CLAIM**

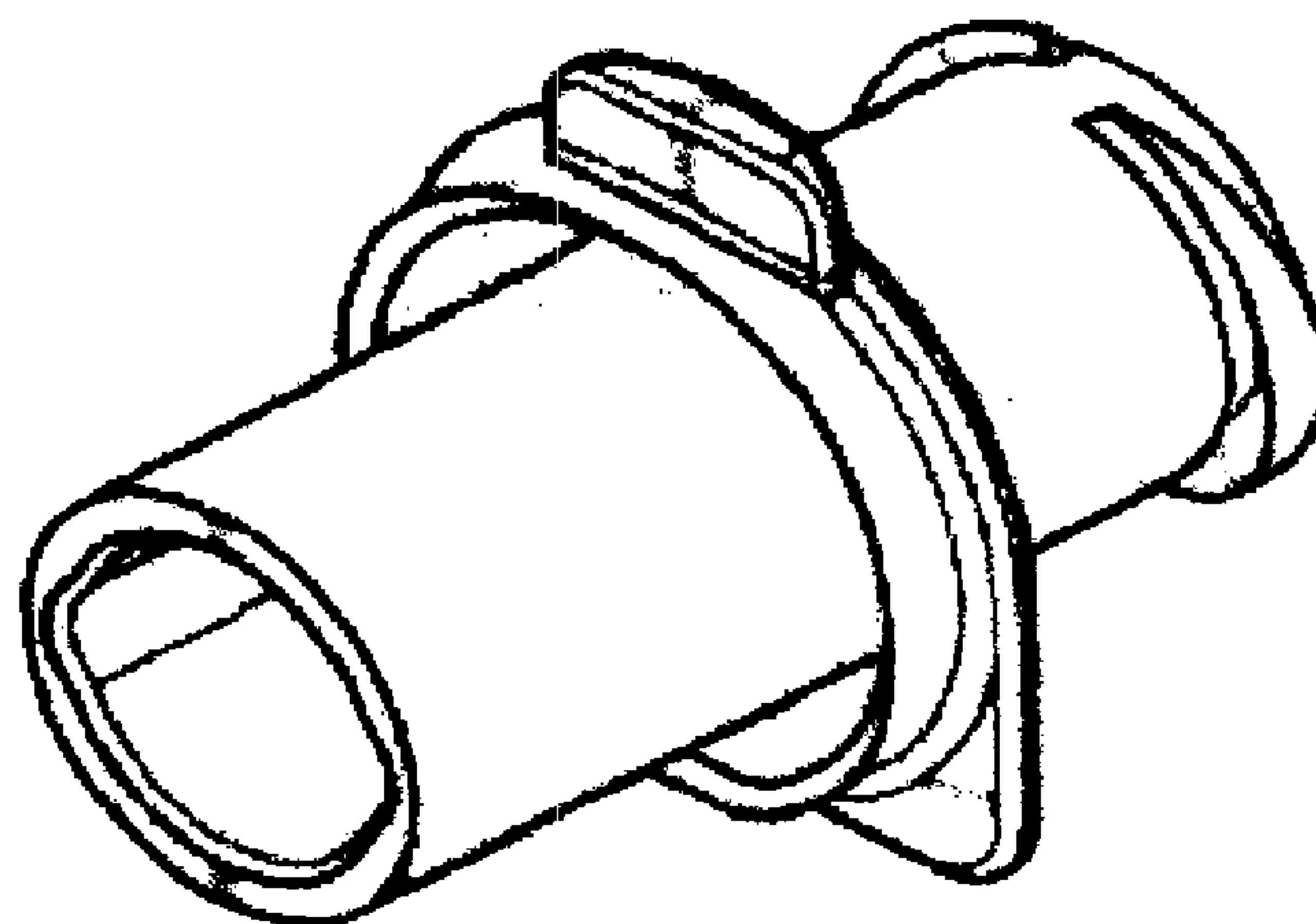
The ornamental design for a proximal catheter hub body, as shown and described.

DESCRIPTION

FIG. 1 is a perspective view of a proximal catheter hub body, showing our new design;
 FIG. 2 is a perspective view of the same design from a different viewing angle;
 FIG. 3 is a top plan view thereof;
 FIG. 4 is a left side elevation view thereof;
 FIG. 5 is a right side elevation view thereof;
 FIG. 6 is a bottom plan view thereof;
 FIG. 7 is a rear elevation view thereof; and,
 FIG. 8 is a front elevation view thereof.

The features shown in broken lines depict environmental subject matter only and form no part of the claimed design.

1 Claim, 3 Drawing Sheets



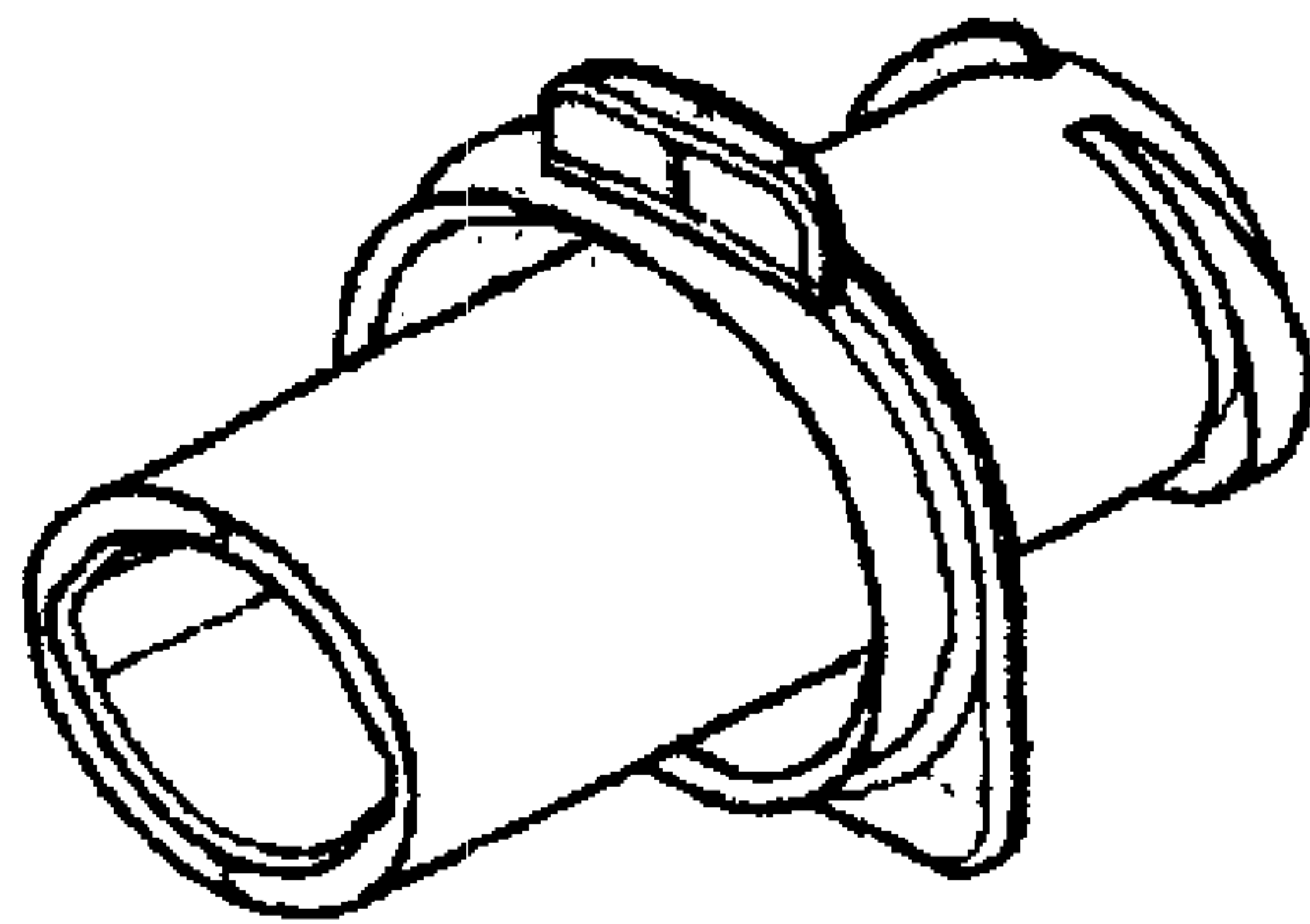


FIG. 1

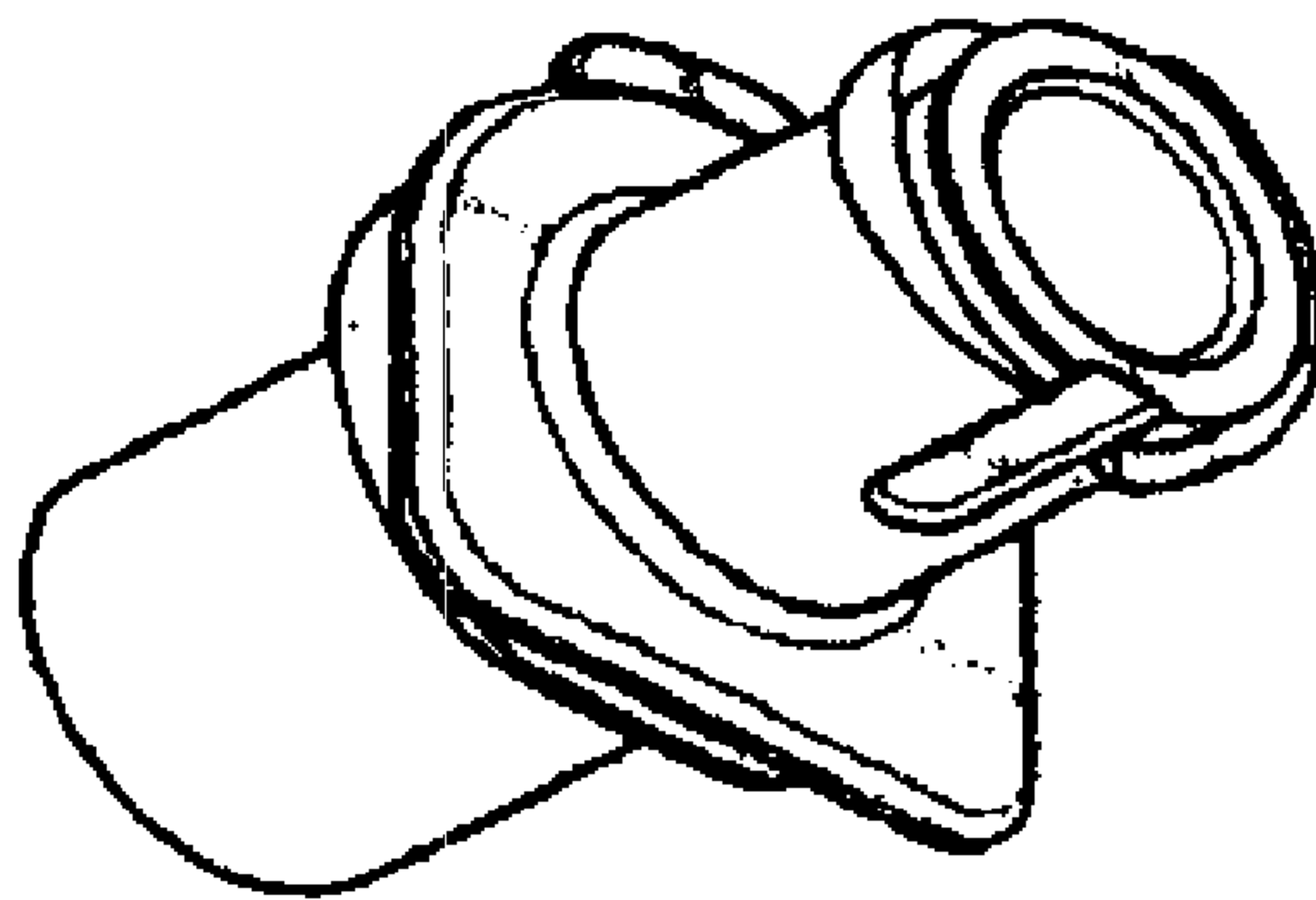


FIG. 2

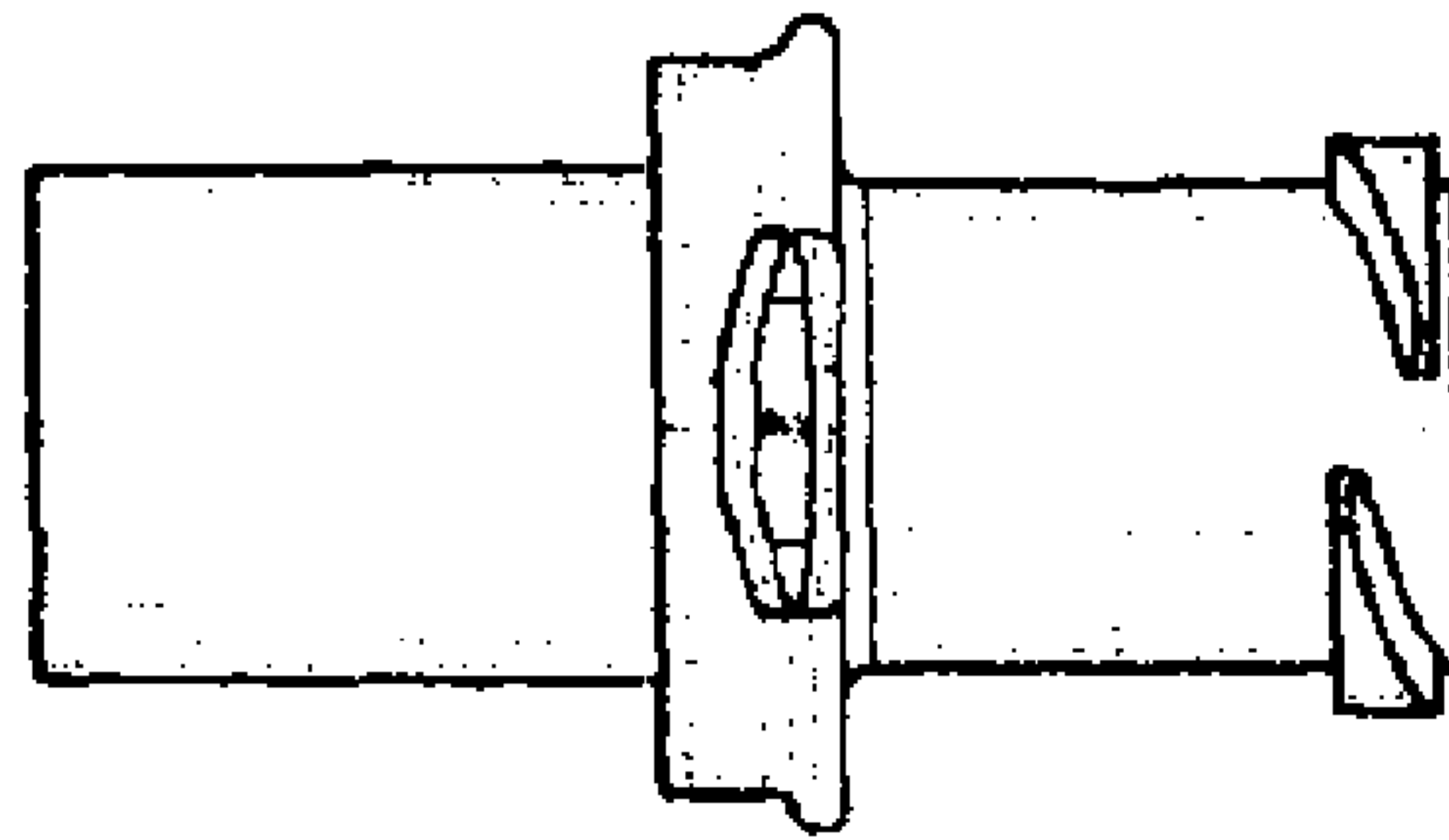


FIG. 3

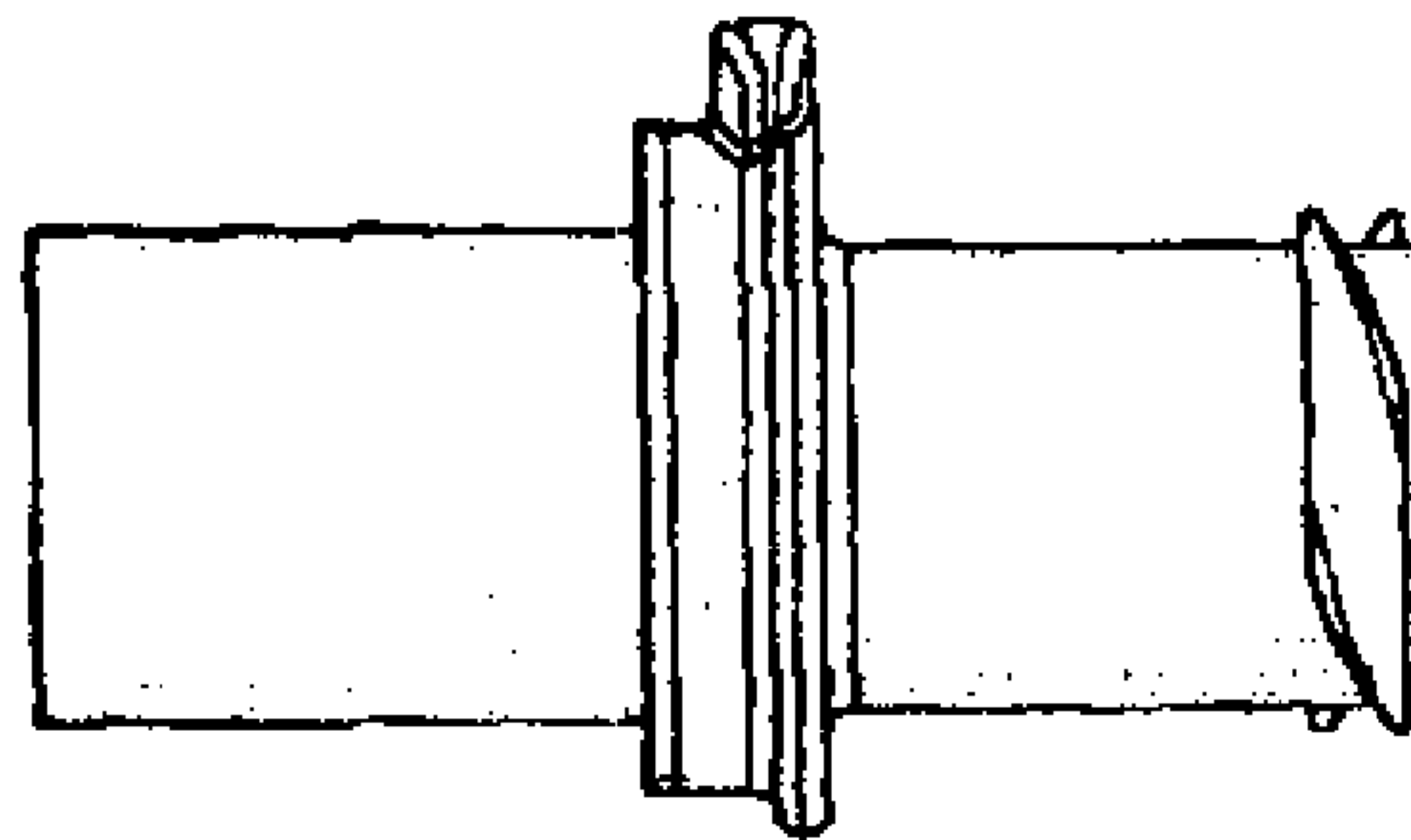


FIG. 4

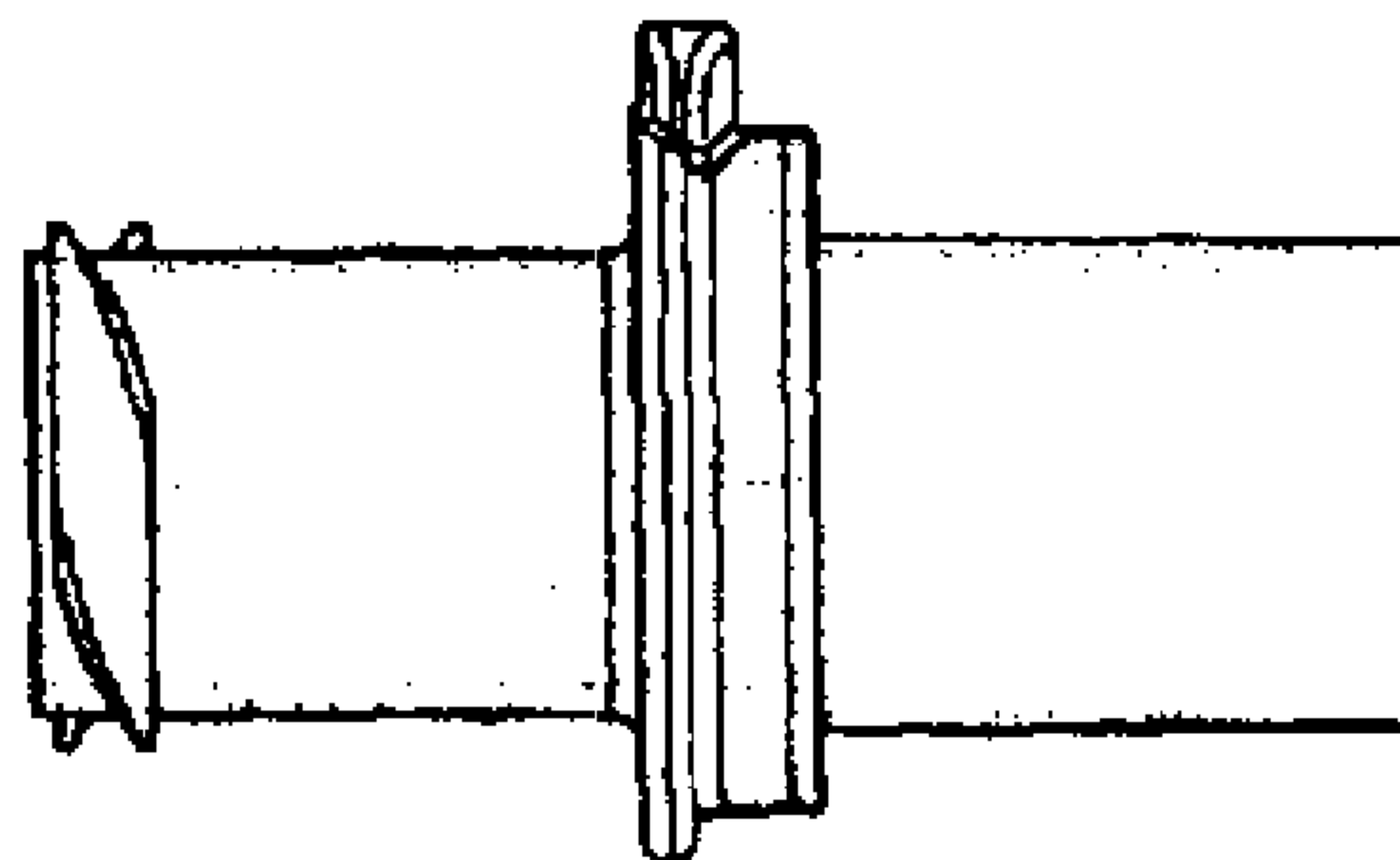


FIG. 5

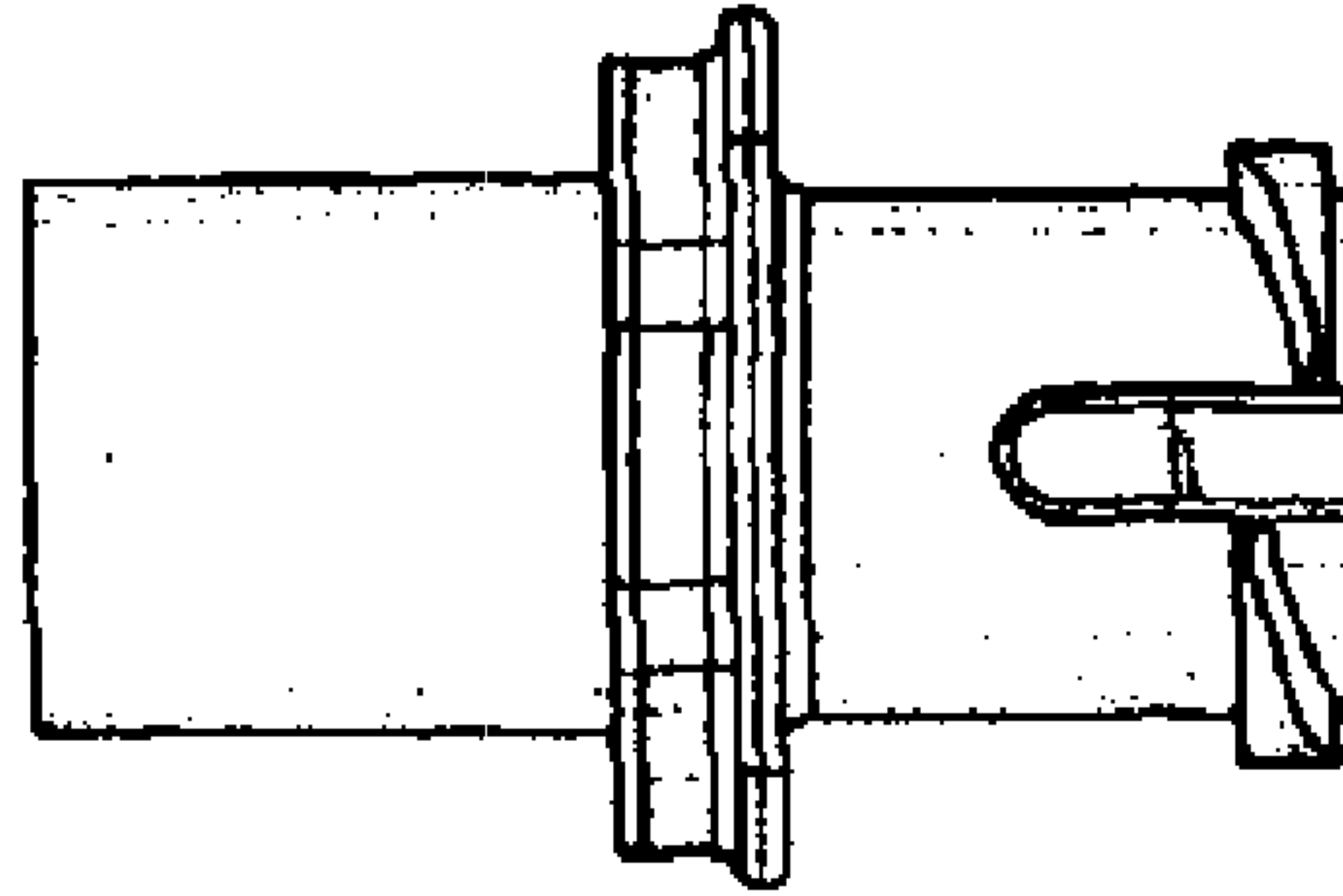


FIG. 6

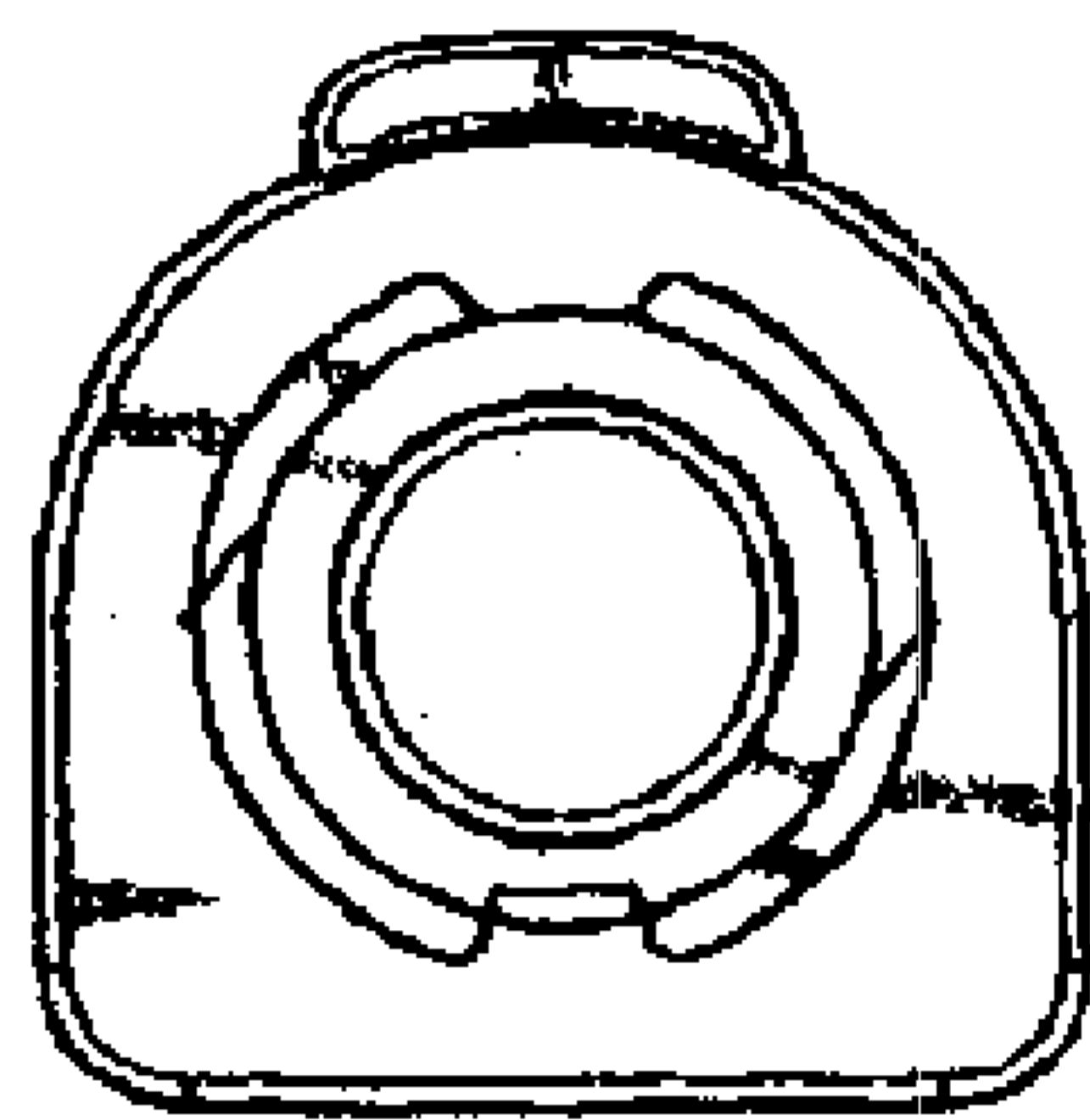


FIG. 7

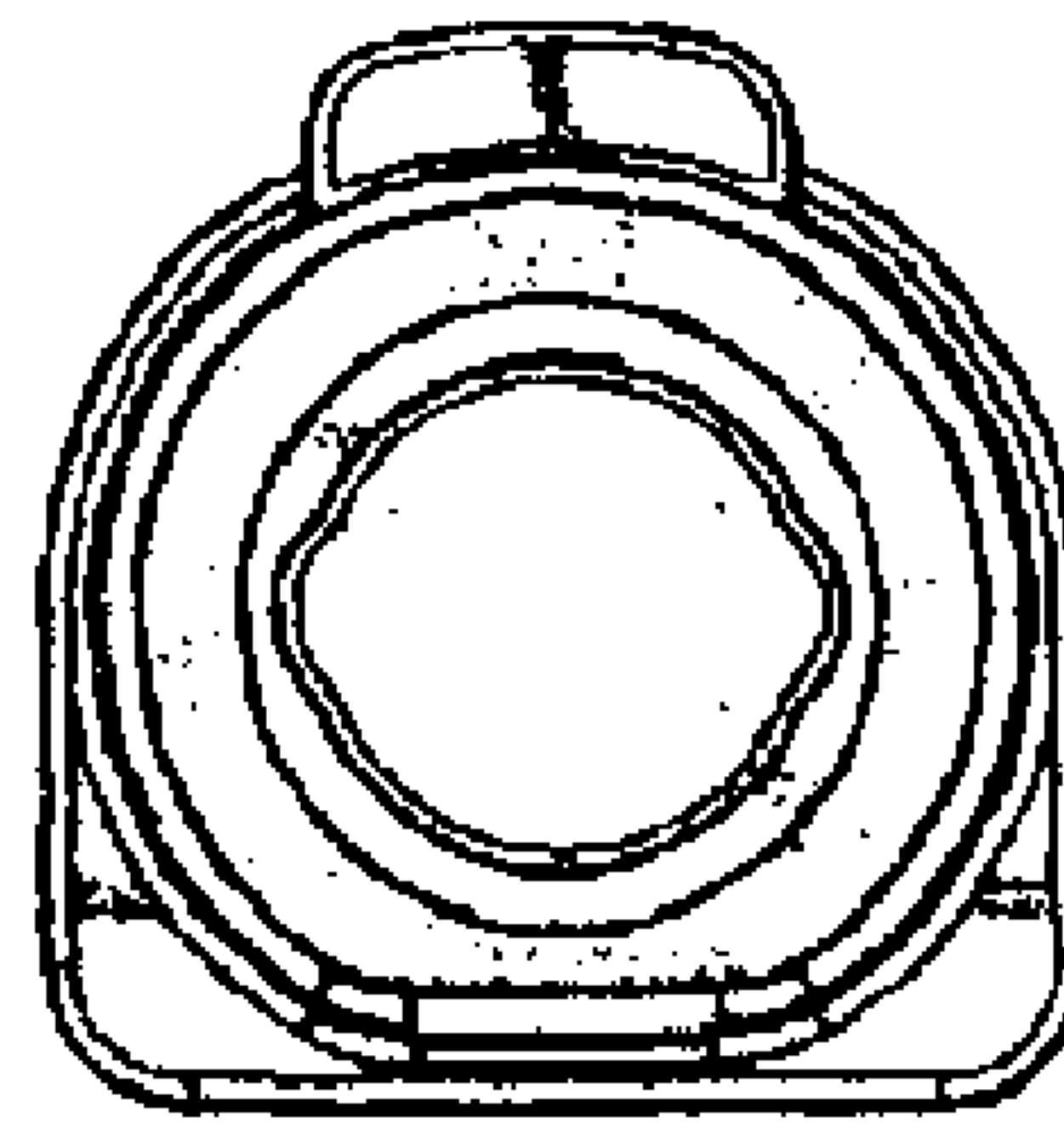


FIG. 8