



US00D732662S

(12) **United States Design Patent**  
**Shubin, Sr. et al.**

(10) **Patent No.:** **US D732,662 S**  
(45) **Date of Patent:** **\*\* Jun. 23, 2015**

(54) **BIOLOGICAL FLUID COLLECTION DEVICE**

(56)

**References Cited**

(71) Applicant: **Steven A. Shubin, Sr.**, Dripping Springs,  
TX (US)

(72) Inventors: **Steven A. Shubin, Sr.**, Dripping Springs,  
TX (US); **Steven A. Shubin, Jr.**, Santa  
Fe, NM (US)

(73) Assignee: **Steven A. Shubin, Sr.**, Dripping Springs,  
TX (US)

(\*\*) Term: **14 Years**

(21) Appl. No.: **29/450,618**

(22) Filed: **Mar. 20, 2013**

(51) **LOC (10) Cl.** ..... **24-04**

(52) **U.S. Cl.**  
USPC ..... **D24/121**

(58) **Field of Classification Search**

USPC ..... D24/121–123, 112, 207, 216, 224;  
D9/716, 524, 435, 441, 447;  
D7/509–511, 309, 305, 900, 538, 539,  
D7/321; 600/38  
CPC ..... B29C 45/2602; A61H 19/00  
See application file for complete search history.

U.S. PATENT DOCUMENTS

D309,710 S *	8/1990	Groves .....	D9/503
D432,916 S *	10/2000	Drinkwater et al. ....	D9/447
D433,130 S *	10/2000	Cude et al. ....	D24/121
D518,377 S *	4/2006	Kortleven .....	D9/435
D548,075 S *	8/2007	Mavin et al. ....	D9/435
D580,558 S *	11/2008	Shigesada et al. ....	D24/216
D597,679 S *	8/2009	Shigesada et al. ....	D24/216
D630,044 S *	1/2011	Lane et al. ....	D7/392.1
D679,181 S *	4/2013	Vogel et al. ....	D9/443
D692,143 S *	10/2013	shahidi bonjar .....	D24/176
D705,061 S *	5/2014	Jo et al. ....	D9/453
D705,062 S *	5/2014	Jo et al. ....	D9/453
D714,144 S *	9/2014	Vogel et al. ....	D9/443

\* cited by examiner

*Primary Examiner* — David Muller

*Assistant Examiner* — Nathan Johnston

(74) *Attorney, Agent, or Firm* — Conley Rose, P.C.

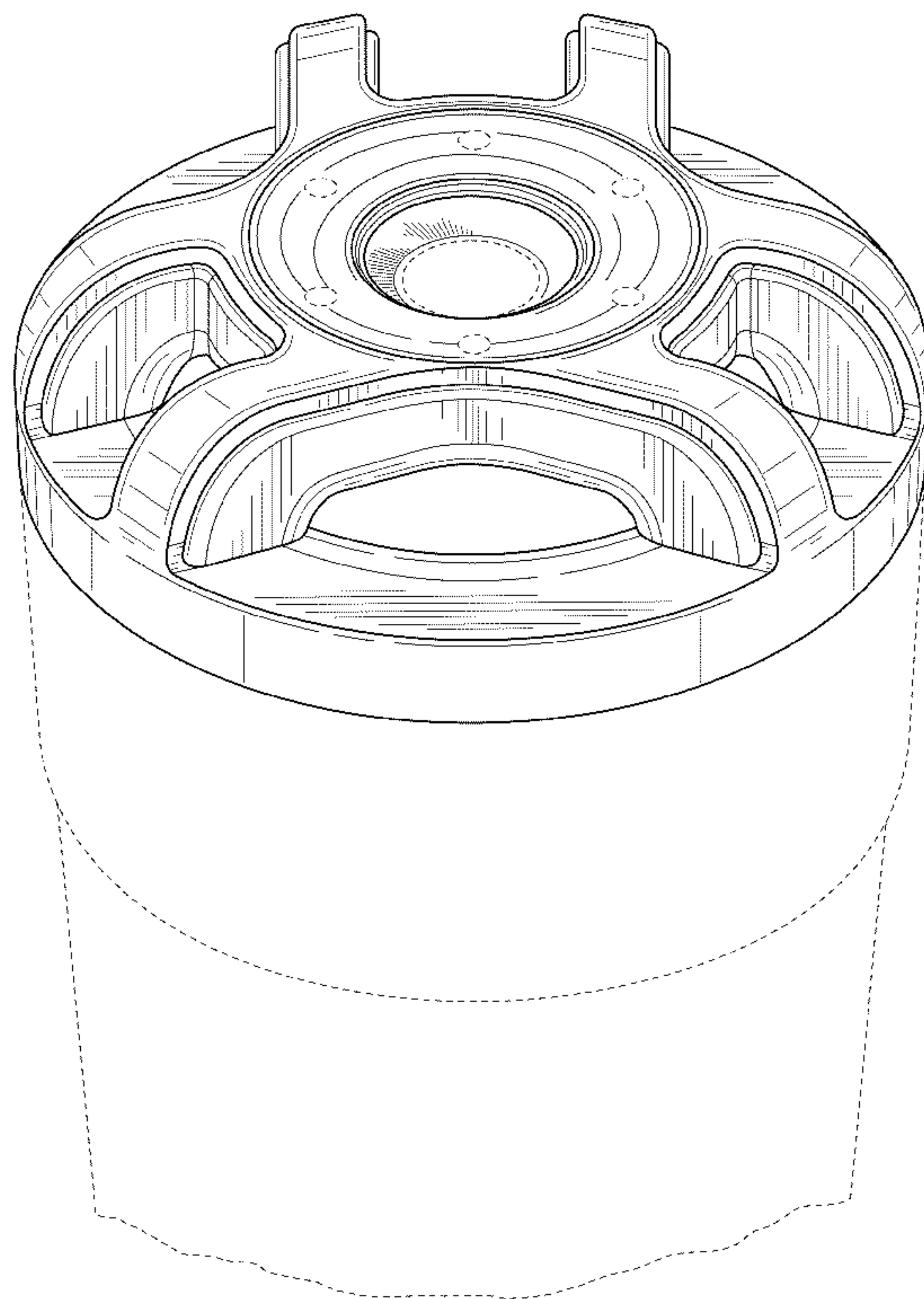
(57) **CLAIM**

The ornamental design for a biological fluid collection device, as shown.

**DESCRIPTION**

FIG. 1 is a perspective view of a biological fluid collection device showing our new design; FIG. 2 is an elevation end-view thereof; FIG. 3 is a first side-elevation view thereof; and, FIG. 4 is a second side-elevation view thereof. The portion of the biological fluid collection device depicted in broken lines forms no part of the claimed design.

**1 Claim, 4 Drawing Sheets**



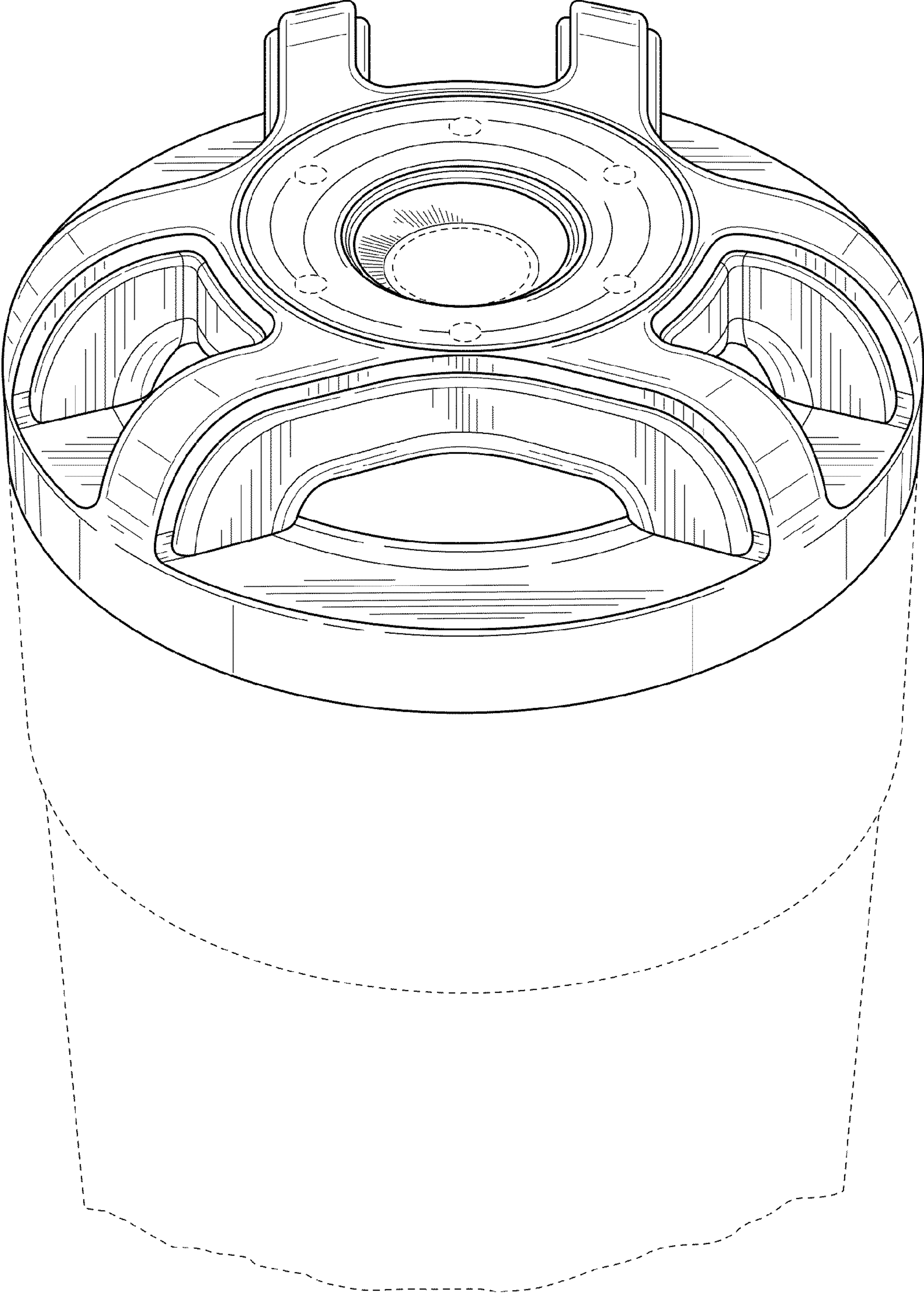


FIG. 1

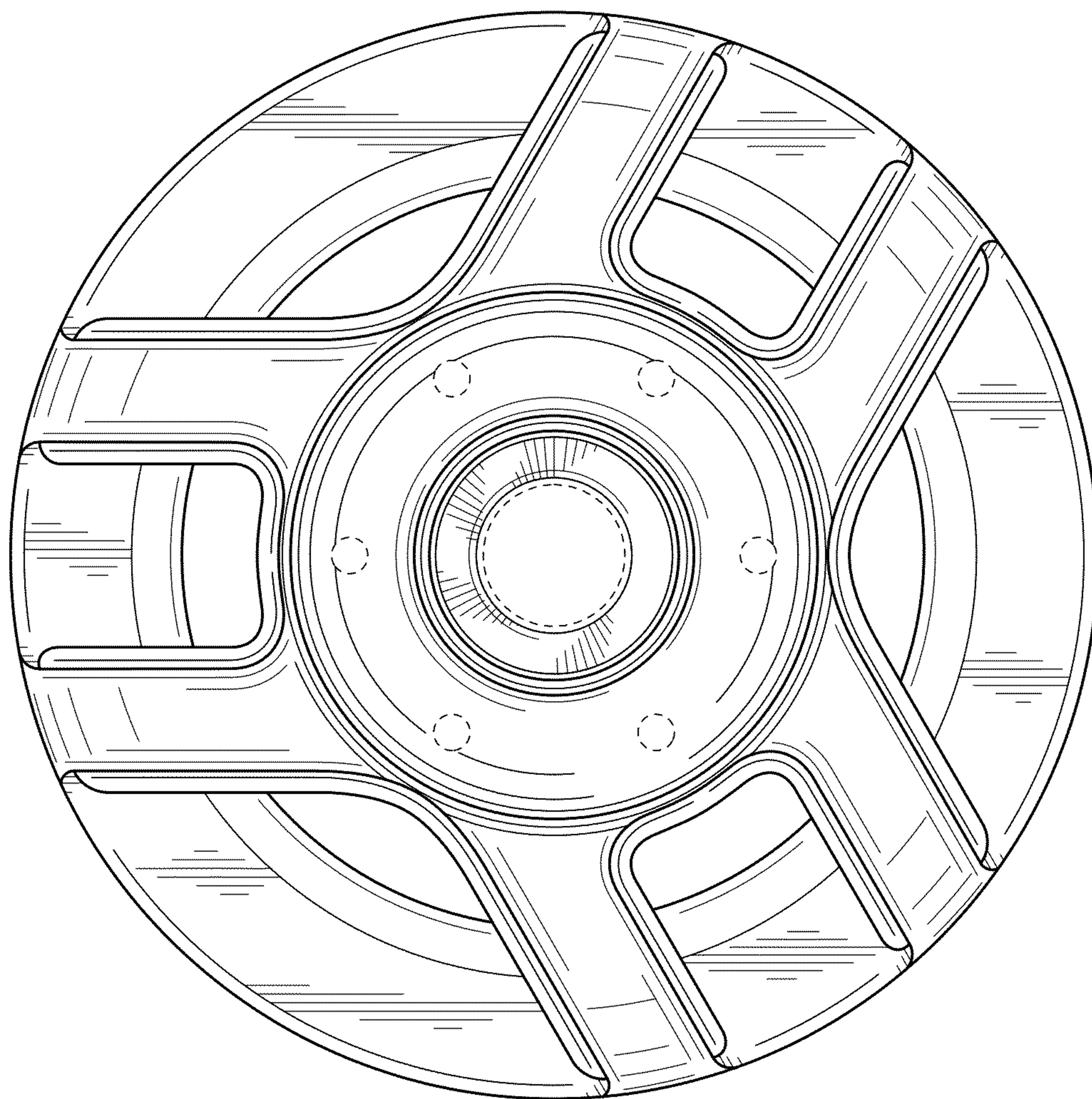


FIG. 2



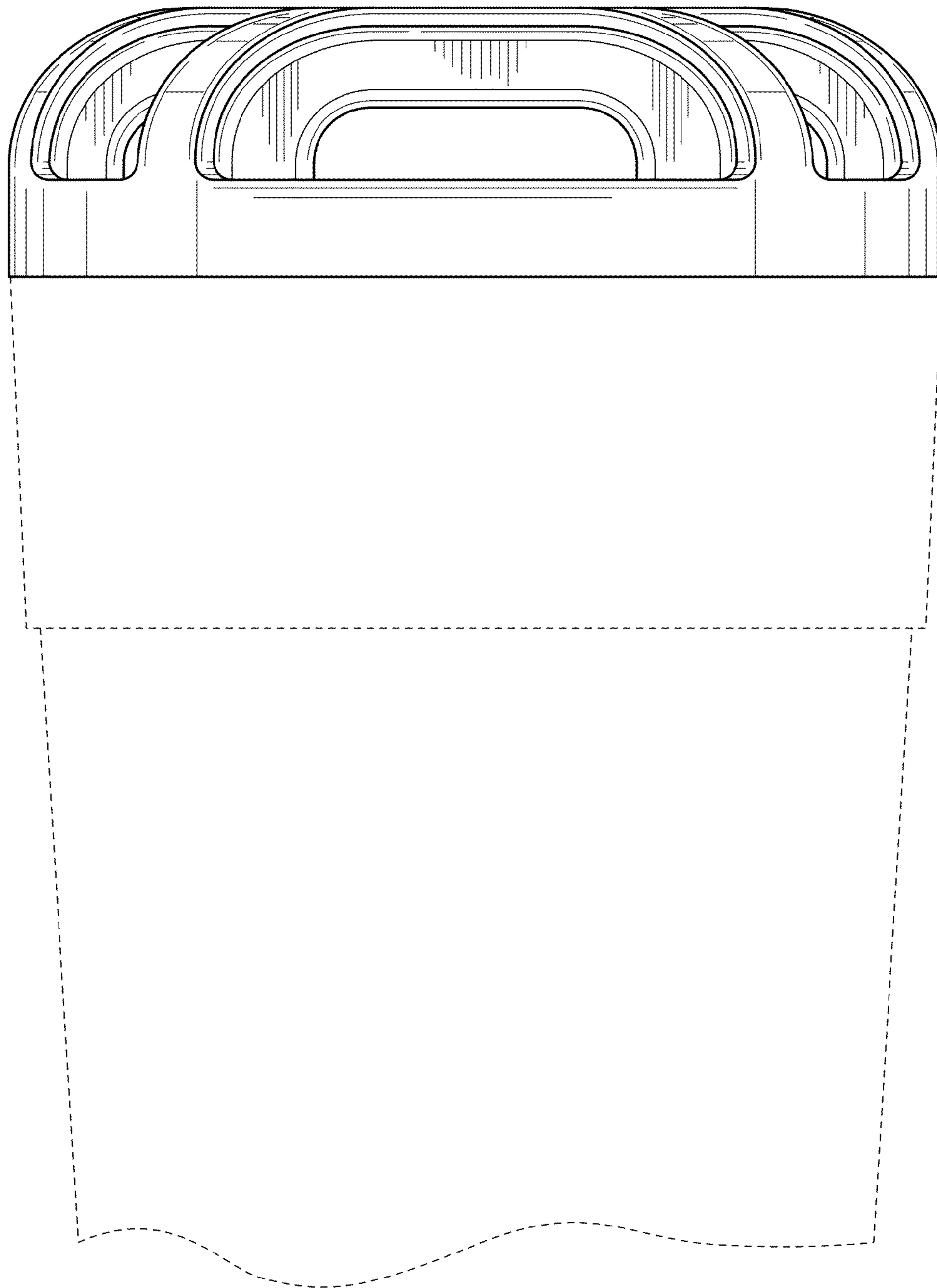


FIG. 3

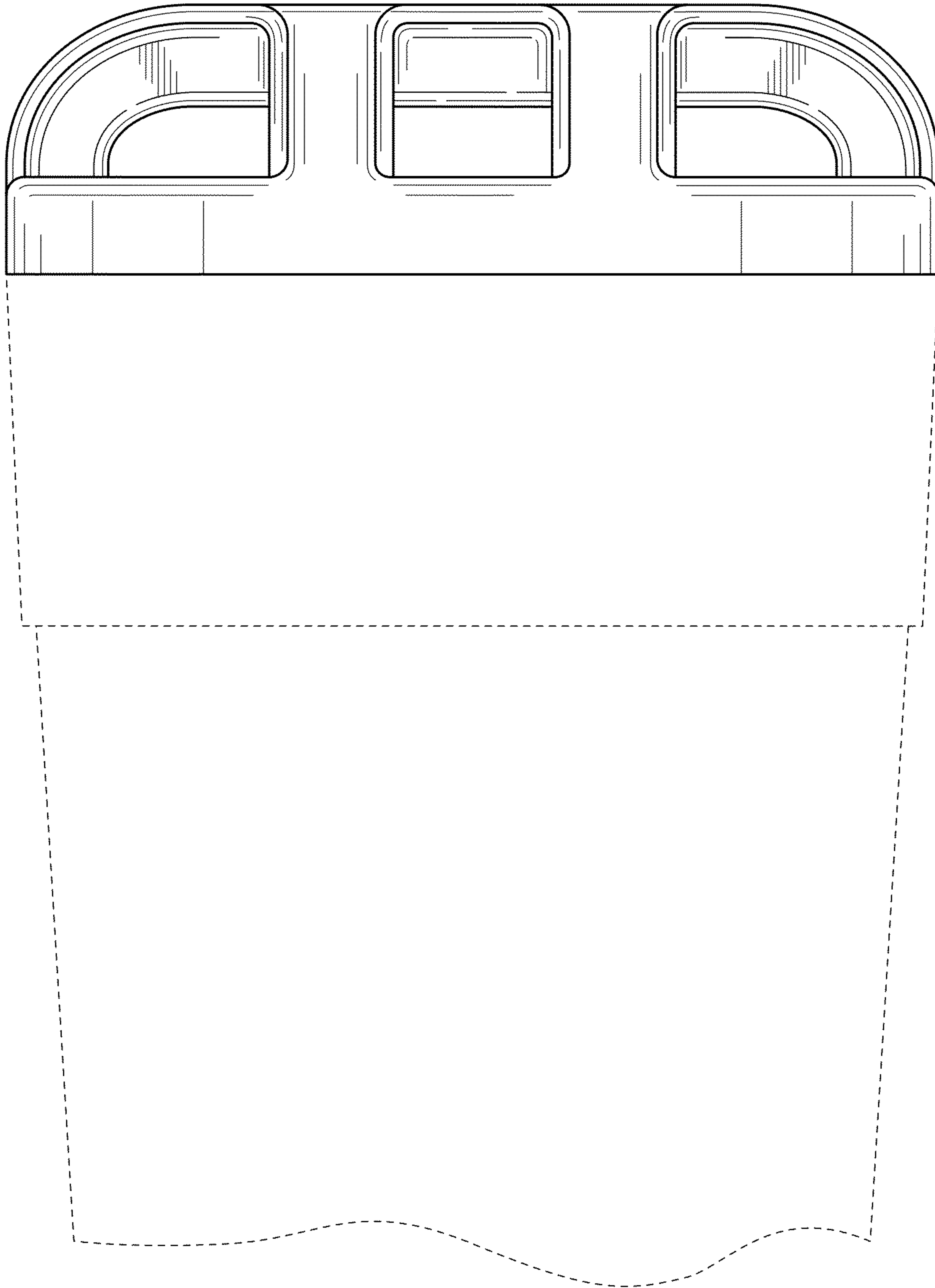


FIG. 4