

US00D732658S

(12) **United States Design Patent**
Bengochea et al.

(10) **Patent No.:** **US D732,658 S**
(45) **Date of Patent:** **** Jun. 23, 2015**

- (54) **NASAL DEVICE WITH AIRPLANE WINGS**
- (71) Applicant: **PEDIATRIC INNOVATIONS USA, LLC**, Doral, FL (US)
- (72) Inventors: **Jose Bengochea**, Coral Gables, FL (US);
Alejandro Nunez, Doral, FL (US);
Manuel Gonzalez Mestre, Miami, FL (US)
- (73) Assignee: **Pediatric Innovations USA, LLC**, Doral, FL (US)
- (**) Term: **14 Years**
- (21) Appl. No.: **29/480,481**
- (22) Filed: **Jan. 27, 2014**

4,926,852 A	5/1990	Zoltan et al.	
D315,822 S *	3/1991	Ryan	D24/128
5,596,982 A	1/1997	Blaha-Schnabel	
5,800,425 A *	9/1998	DeLeonardis	604/27
6,290,667 B1 *	9/2001	Cook	604/19
D588,693 S *	3/2009	Strong et al.	D24/129
D590,057 S *	4/2009	Lulla et al.	D24/110
D604,411 S *	11/2009	Gomez	D24/130
D618,335 S	6/2010	Nunez	
D634,002 S *	3/2011	Laerdal et al.	D24/111
8,070,744 B1	12/2011	Clements	
8,100,886 B2	1/2012	Sebban	
D657,462 S *	4/2012	Siroky	D24/130
D663,023 S *	7/2012	Strong et al.	D24/130
D679,002 S	3/2013	Rice-Monteiro	
D692,308 S *	10/2013	Baker	D9/548
D701,599 S *	3/2014	Bengochea et al.	D24/110
D701,956 S *	4/2014	Bengochea et al.	D24/110

(Continued)

FOREIGN PATENT DOCUMENTS

FR 2775904 A1 9/1999

Primary Examiner — Deanna L Pratt
Assistant Examiner — Lilyana Bekic

(74) *Attorney, Agent, or Firm* — Laurence A. Greenberg;
Werner H. Stemer; Ralph E. Locher

(57) **CLAIM**

The ornamental design for a nasal device with airplane wings as shown and described.

DESCRIPTION

FIG. 1 is a top perspective view of the nasal device with airplane wings, showing my new design;
FIG. 2 is a top plan view thereof;
FIG. 3 is a left side, top perspective view thereof;
FIG. 4 is a rear perspective view thereof;
FIG. 5 is a bottom perspective view thereof;
FIG. 6 is a bottom perspective view thereof; and,
FIG. 7 is an exploded, side elevation view thereof.

1 Claim, 7 Drawing Sheets

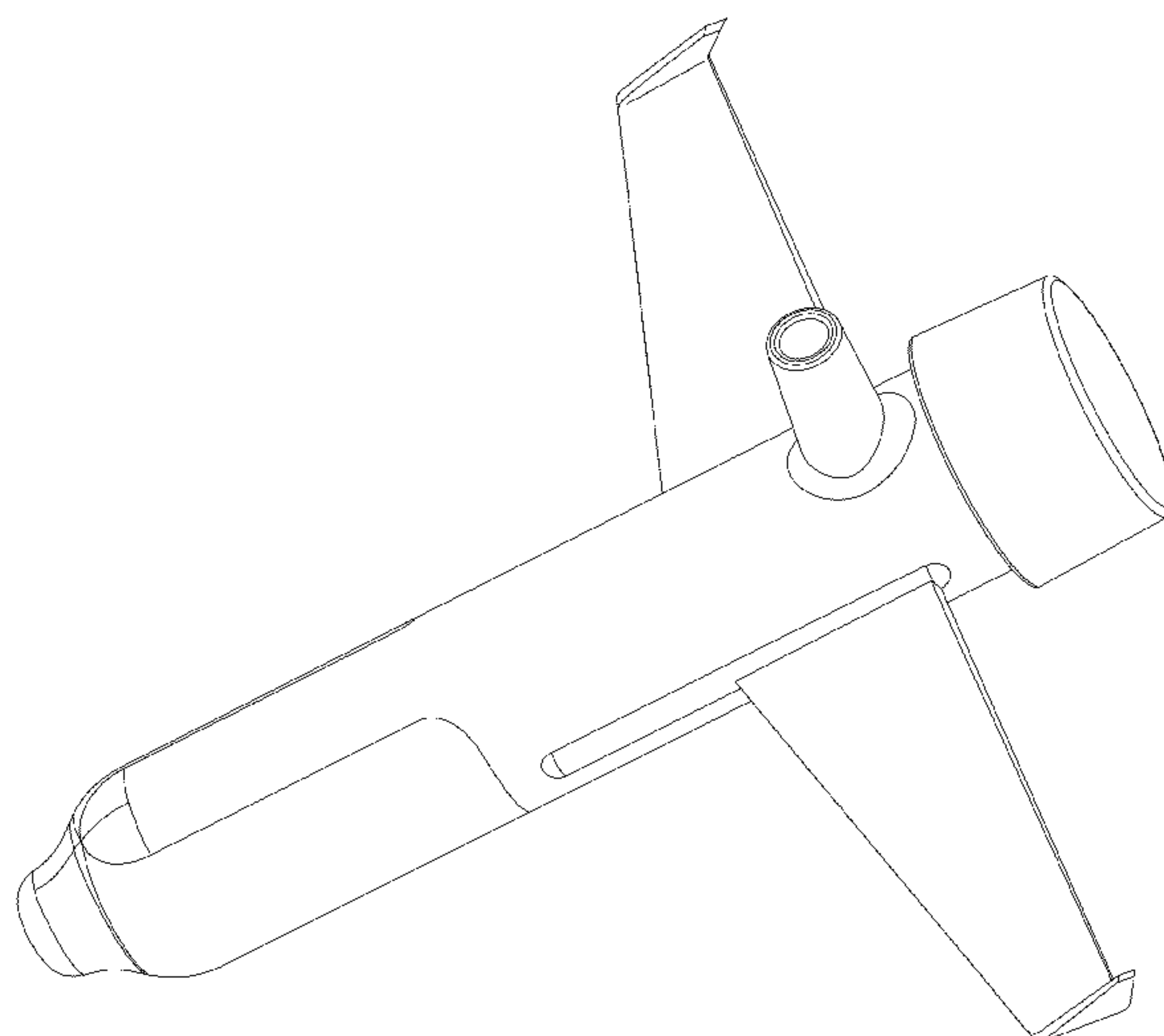
Related U.S. Application Data

- (63) Continuation-in-part of application No. 29/450,956, filed on Mar. 26, 2013, now Pat. No. Des. 701,599.
- (51) **LOC (10) Cl.** **29-02**
- (52) **U.S. Cl.**
USPC **D24/110**
- (58) **Field of Classification Search**
USPC D24/110, 108, 114, 117, 110.5, 113,
D24/115; 604/540, 149, 19, 27; 128/200.23,
128/203.15, 203.18, 203.21, 206.11, 207.18
CPC A61M 2210/0618; A61M 1/0003;
A61M 1/0001; A61M 1/008; A61M 2205/59;
A61M 2017/246
See application file for complete search history.

(56) **References Cited**

U.S. PATENT DOCUMENTS

D26,636 S	2/1897	Ramey et al.
1,910,935 A	5/1933	Smith
D184,914 S	4/1959	Chastain



(56)

References Cited

U.S. PATENT DOCUMENTS

D718,436 S * 11/2014 Redol D24/113
2003/0200964 A1 10/2003 Blakley et al.
2004/0245285 A1* 12/2004 McLaughlin 222/78
2005/0194005 A1* 9/2005 Berube et al. 128/200.14

2006/0219240 A1 10/2006 Djupesland
2010/0108059 A1 5/2010 Axelsson et al.
2012/0061286 A1* 3/2012 Hueb De Menezes Oliveira
et al. 206/571
2013/0245560 A1* 9/2013 Guillem Garcia et al. ... 604/190
2013/0310747 A1* 11/2013 Lambert 604/149

* cited by examiner

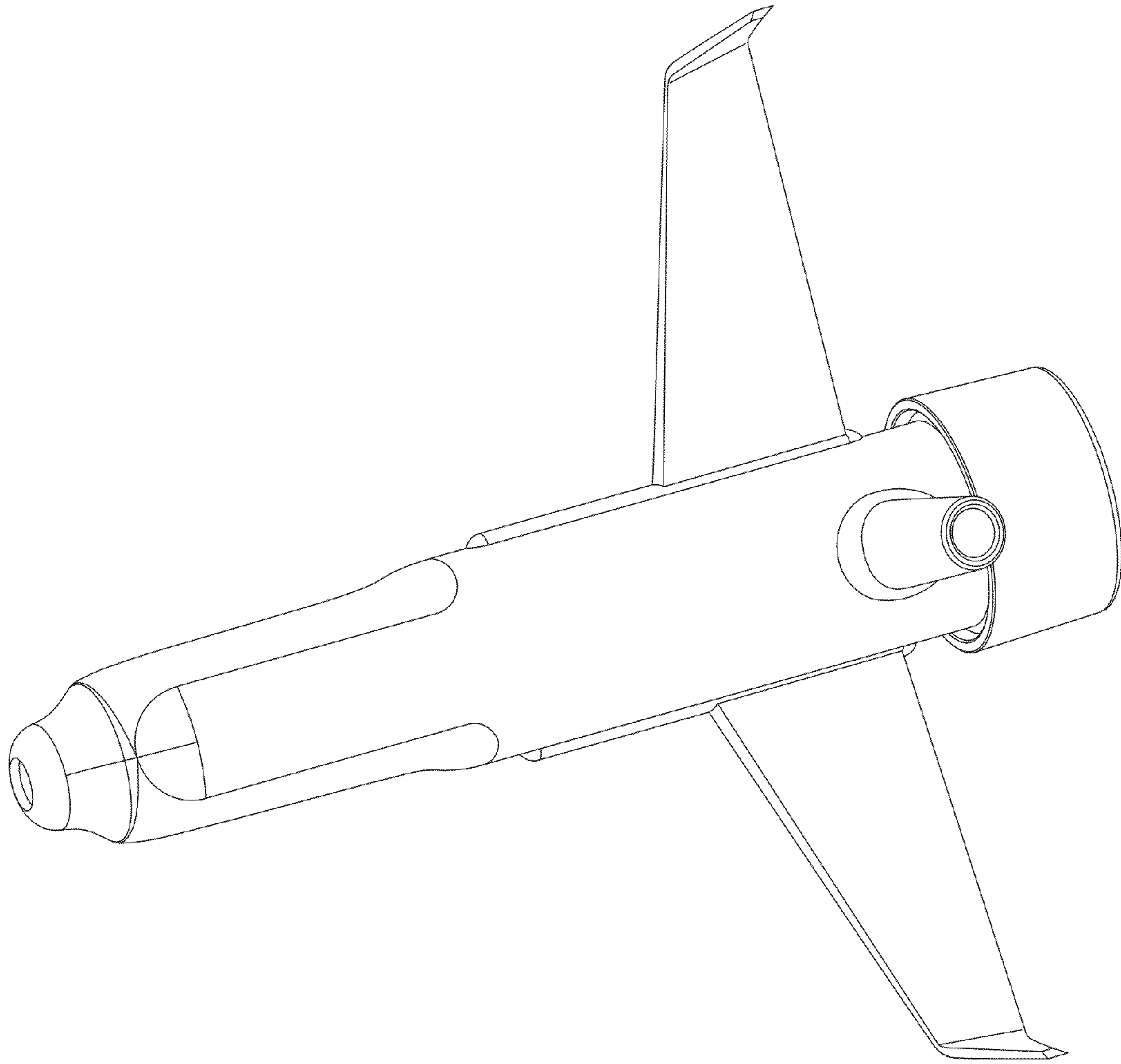


FIG. 1

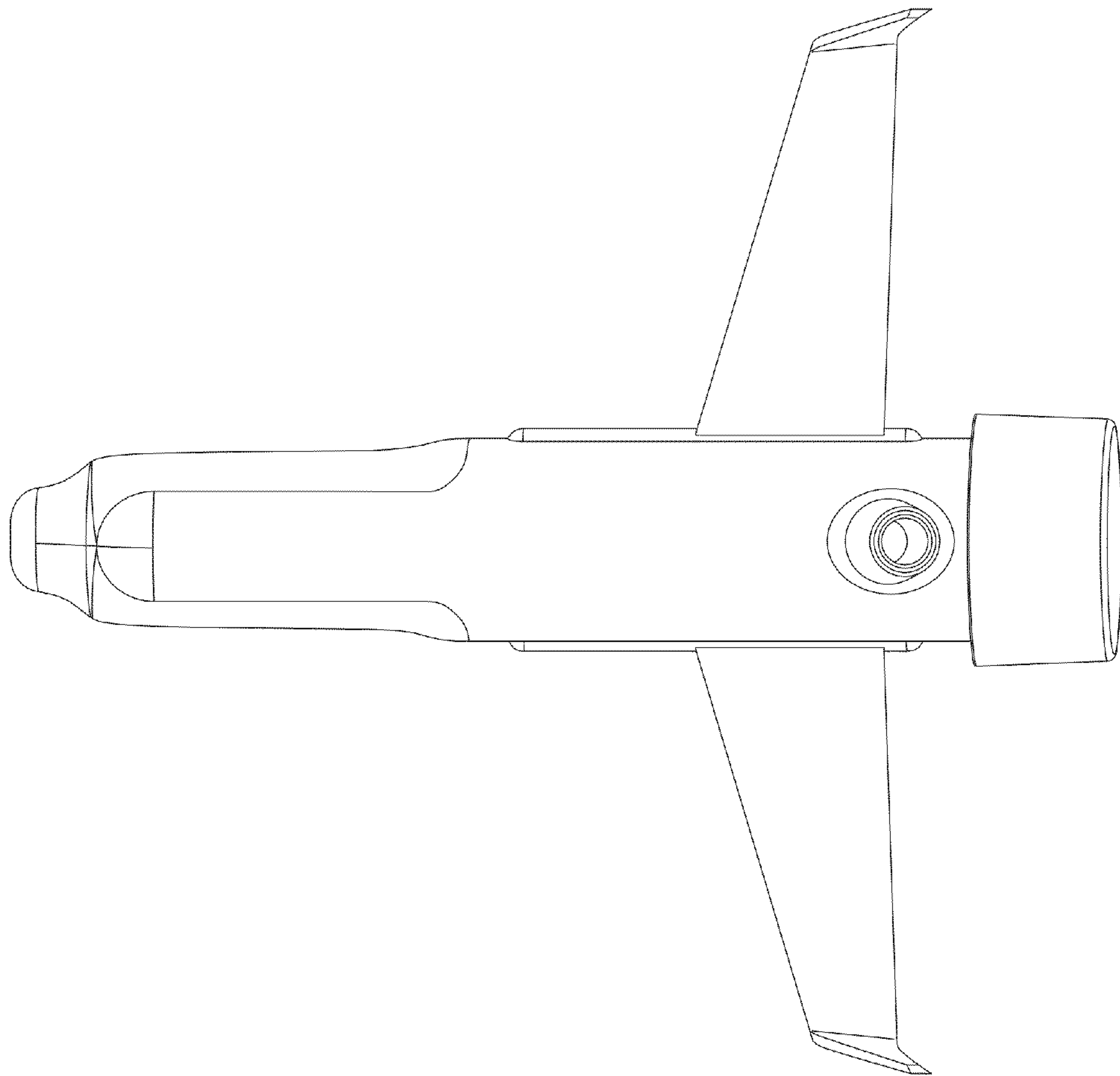


FIG. 2

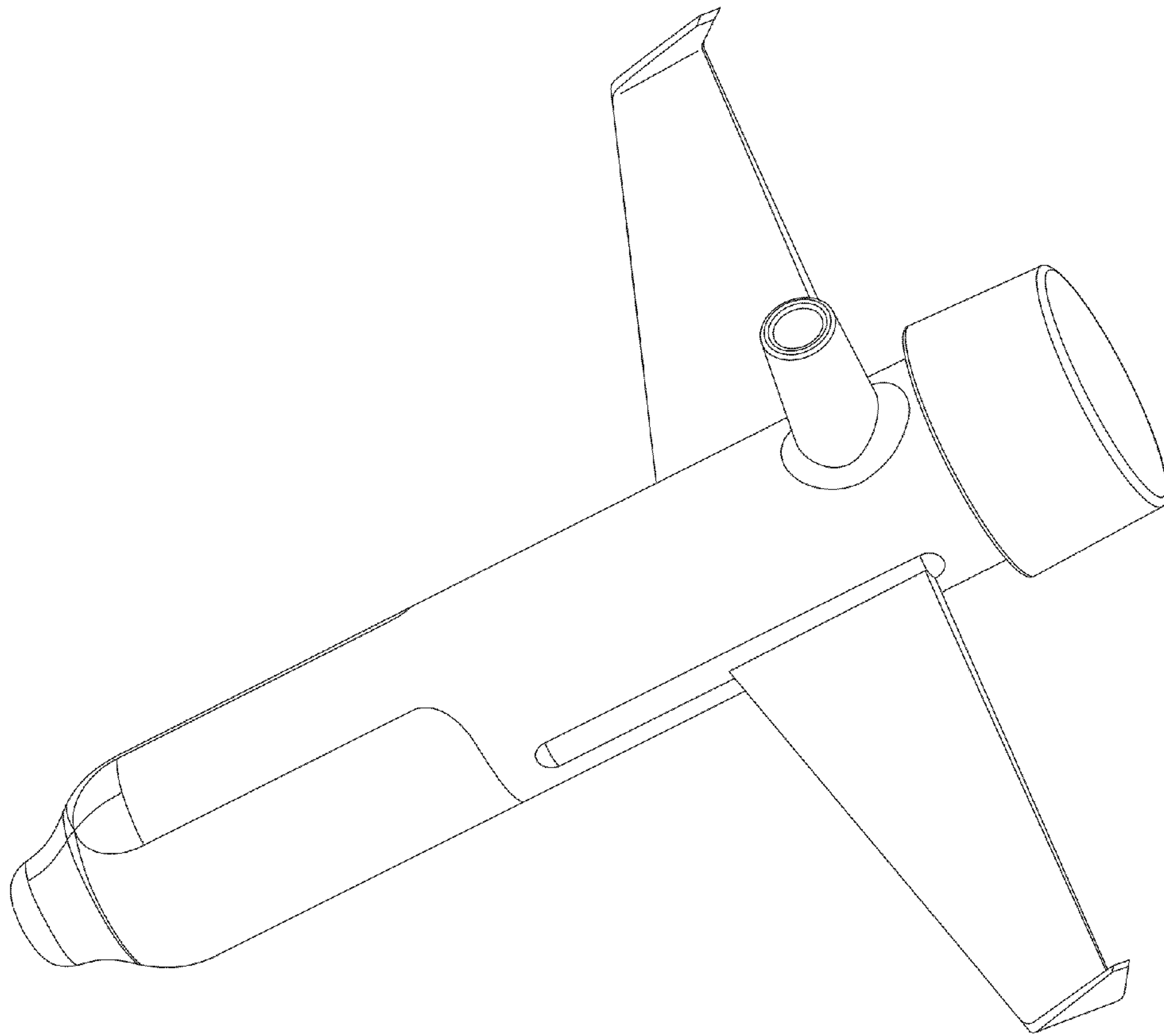


FIG. 3

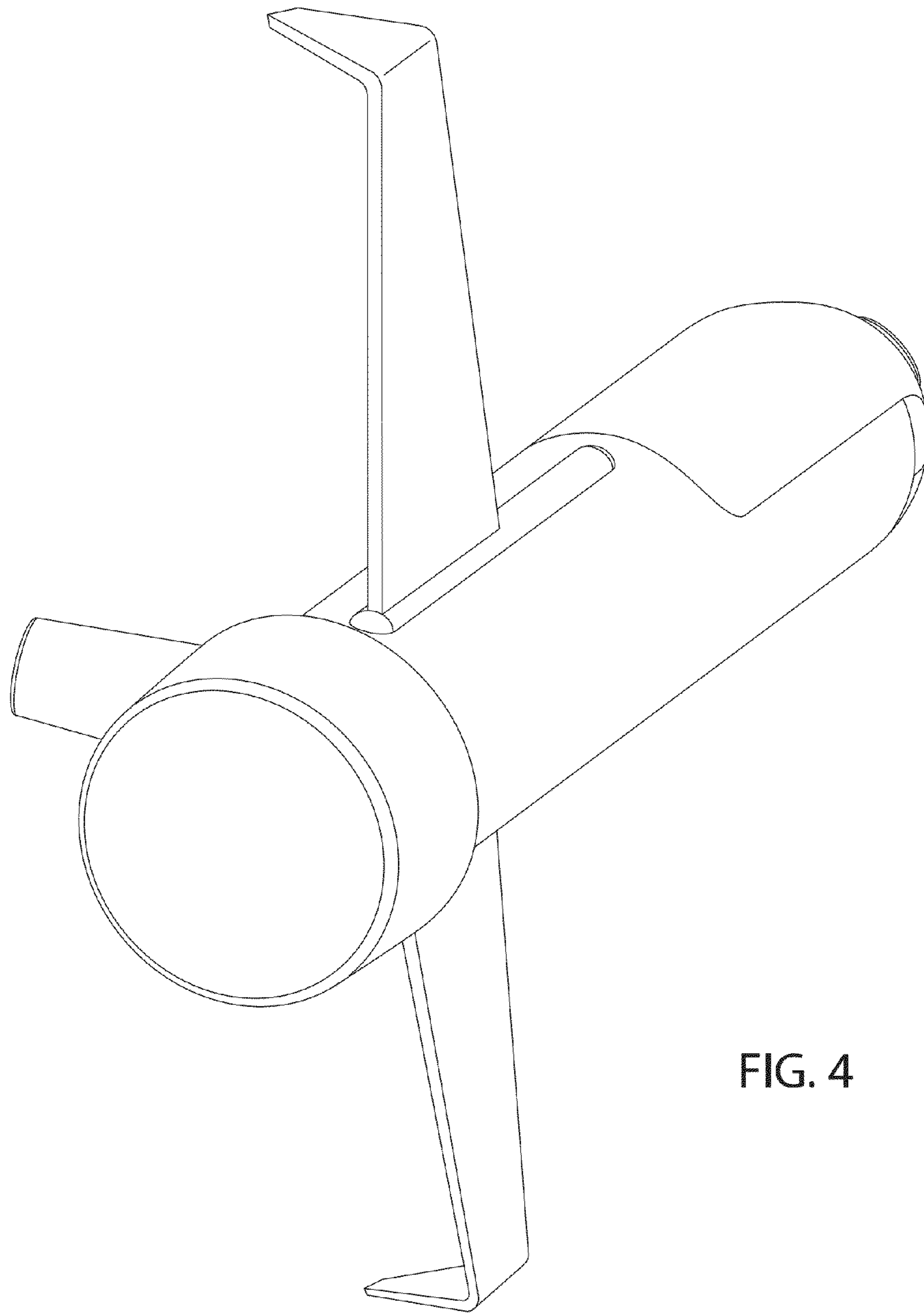


FIG. 4

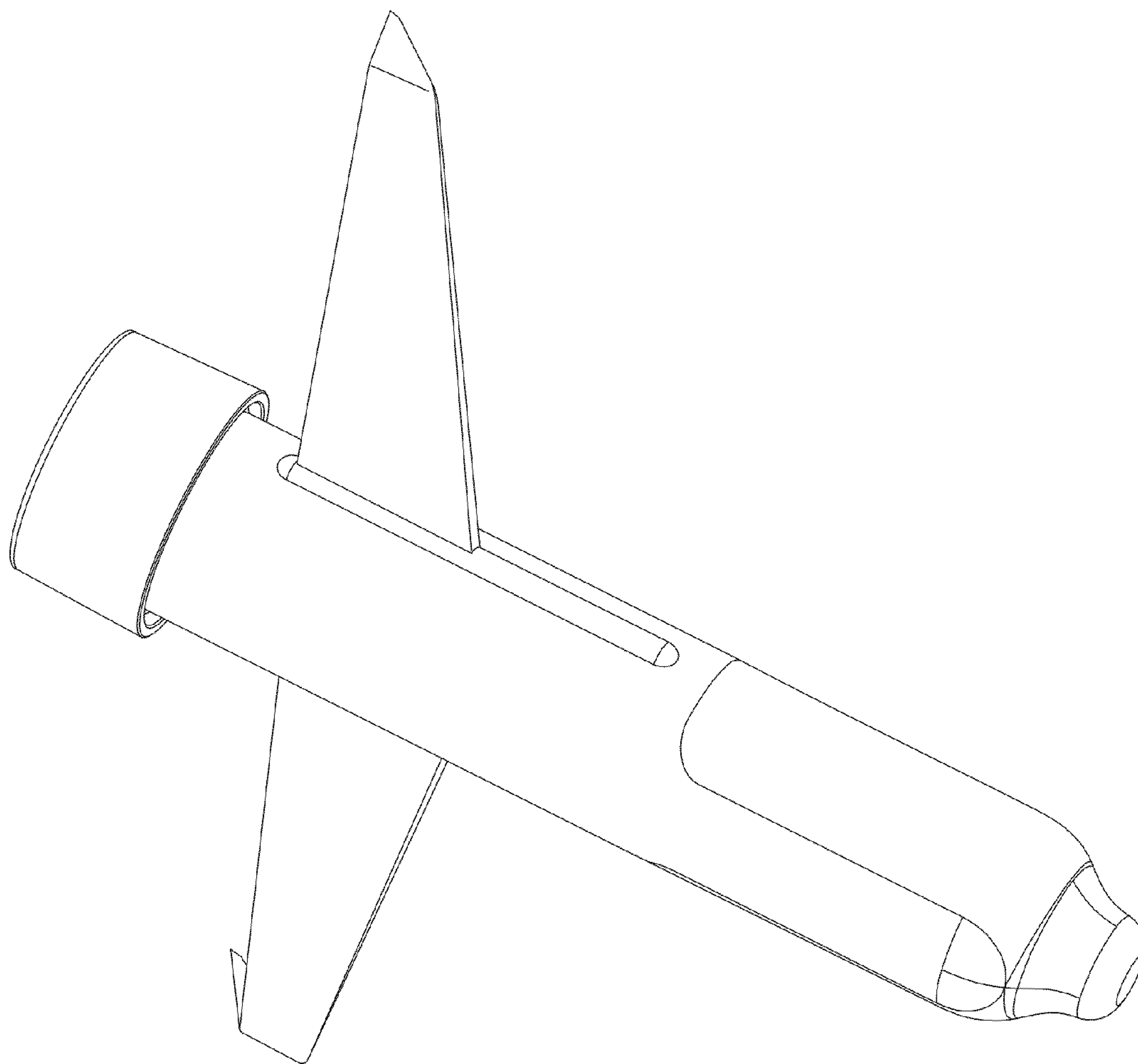


FIG. 5

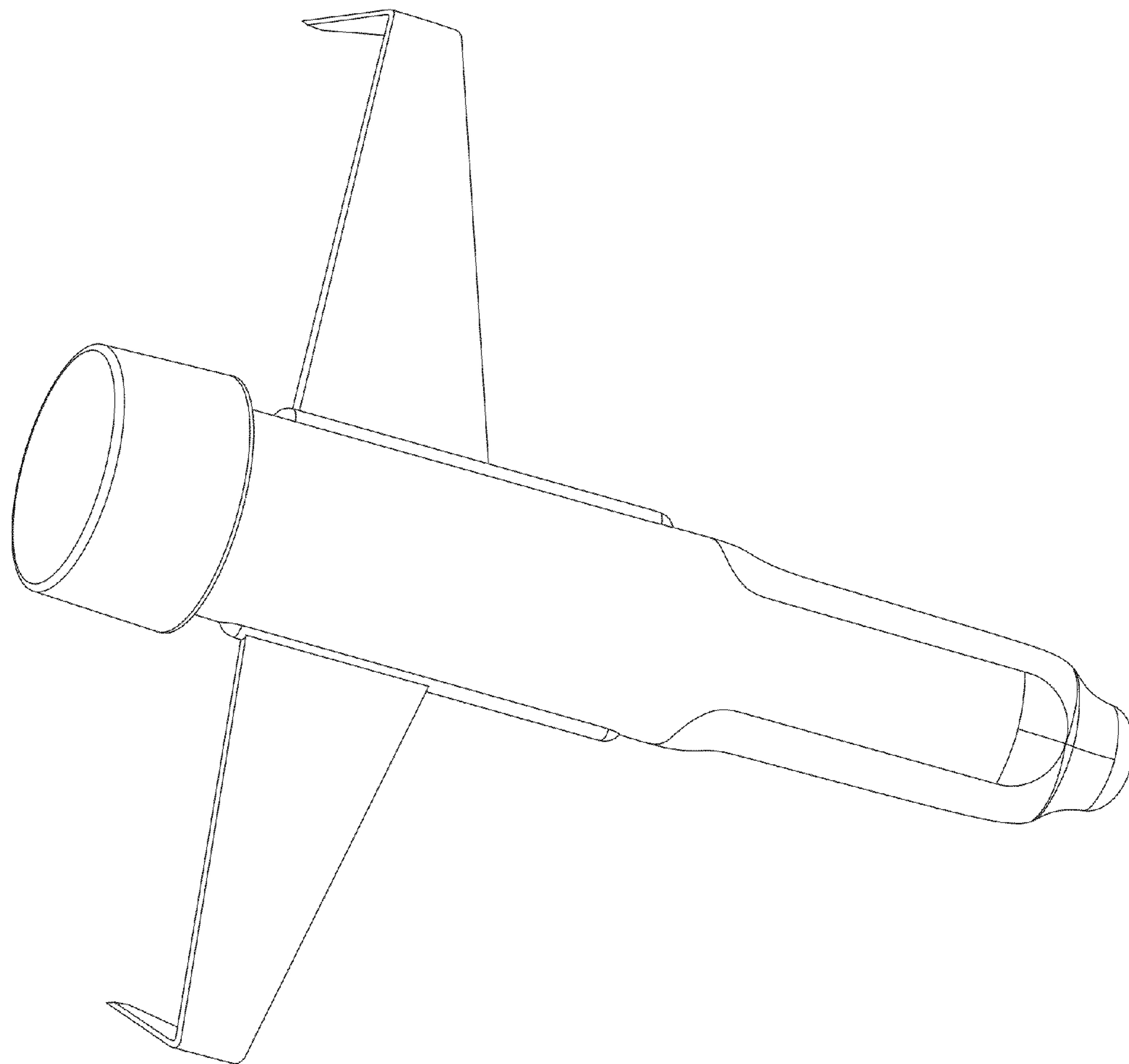


FIG. 6

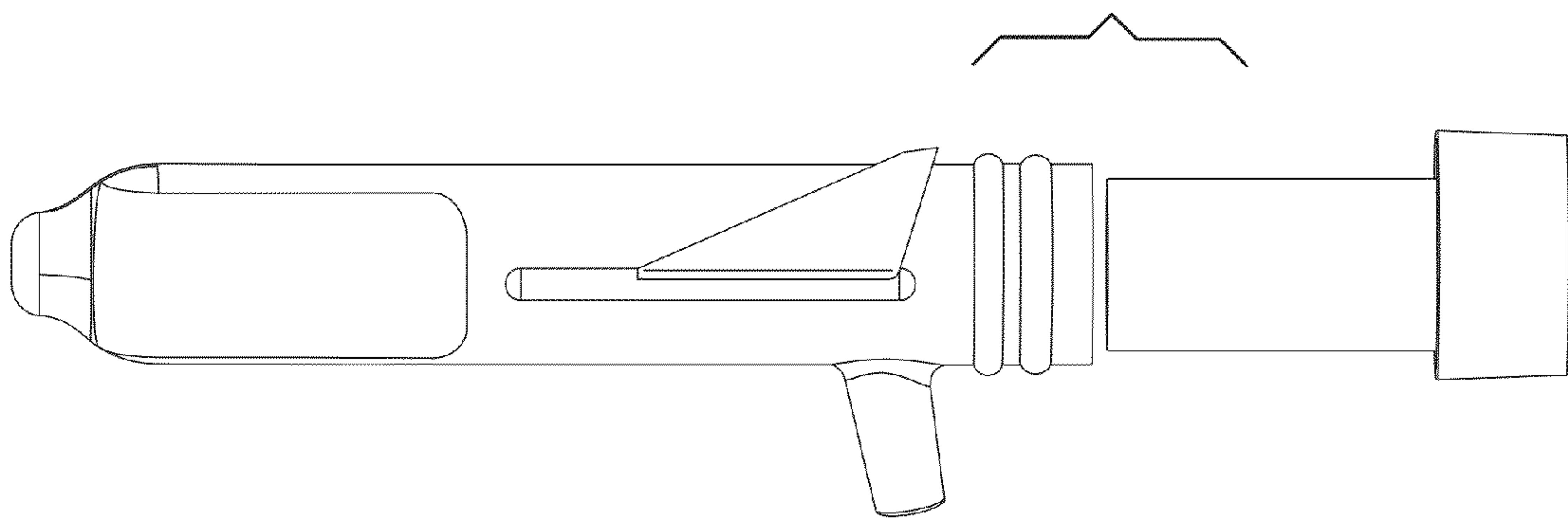


FIG. 7