



US00D732655S

(12) **United States Design Patent**  
**Ueno et al.**

(10) **Patent No.:** **US D732,655 S**  
(45) **Date of Patent:** **\*\* Jun. 23, 2015**

- (54) **FAN**
- (71) Applicant: **SANYO DENKI CO., LTD.**, Tokyo (JP)
- (72) Inventors: **Koji Ueno**, Tokyo (JP); **Naruhiko Kudo**, Tokyo (JP)
- (73) Assignee: **SANYO DENKI CO., LTD.**, Tokyo (JP)
- (\*\*) Term: **14 Years**
- (21) Appl. No.: **29/490,873**
- (22) Filed: **May 15, 2014**

- (30) **Foreign Application Priority Data**  
Nov. 21, 2013 (JP) ..... 2013-027283
- (51) **LOC (10) Cl.** ..... **23-04**
- (52) **U.S. Cl.**  
USPC ..... **D23/370; D13/179**
- (58) **Field of Classification Search**  
USPC ..... D23/411-414, 380, 324, 330, 332, 335, D23/353-379, 381-385, 499; D21/455, D21/458; 392/365, 367; 415/179, 182.1; 416/62, 93 R, 100, 182, 189, 244 R, 416/246, 247 R, 223 R; 417/200, 423.1; 123/41.49; 261/24, 28; 361/695, 697; D13/175, 179  
CPC ... F04D 29/326; F04D 29/384; F04D 29/386; F04D 29/281; F04D 29/282; F04D 29/28; F04D 29/329; F04D 29/663  
See application file for complete search history.

- (56) **References Cited**  
**U.S. PATENT DOCUMENTS**  
D209,250 S \* 11/1967 Grad ..... D23/379  
3,449,605 A \* 6/1969 Wilson ..... 310/58  
4,167,376 A \* 9/1979 Papst ..... 417/354  
6,386,276 B1 \* 5/2002 Chen et al. .... 165/121  
6,396,697 B1 \* 5/2002 Chen ..... 361/704

- D487,800 S \* 3/2004 Chen et al. .... D23/370
- 6,749,398 B2 \* 6/2004 Lu et al. .... 415/121.2
- D506,540 S \* 6/2005 Chiu et al. .... D23/370
- D507,637 S \* 7/2005 Chiu et al. .... D23/370
- D507,638 S \* 7/2005 Chiu et al. .... D23/370
- D507,639 S \* 7/2005 Chiu et al. .... D23/370

(Continued)

**OTHER PUBLICATIONS**

Standard Fans. (Sanyo Denki San Ace chassis type 57. Posted Oct. 16, 2010. And Gentle Typhoon 120mm. Posted Oct. 20, 2009. page 1 of 5. Delta 80x38mm Triple Blade. Posted Nov. 24, 2007. Page 3 of 5.) jezmckean.com (online). [retrieved on Dec. 4, 2014]. Retrieved from Internet: <<http://scc.jezmckean.com/cat/42>>.\*

(Continued)

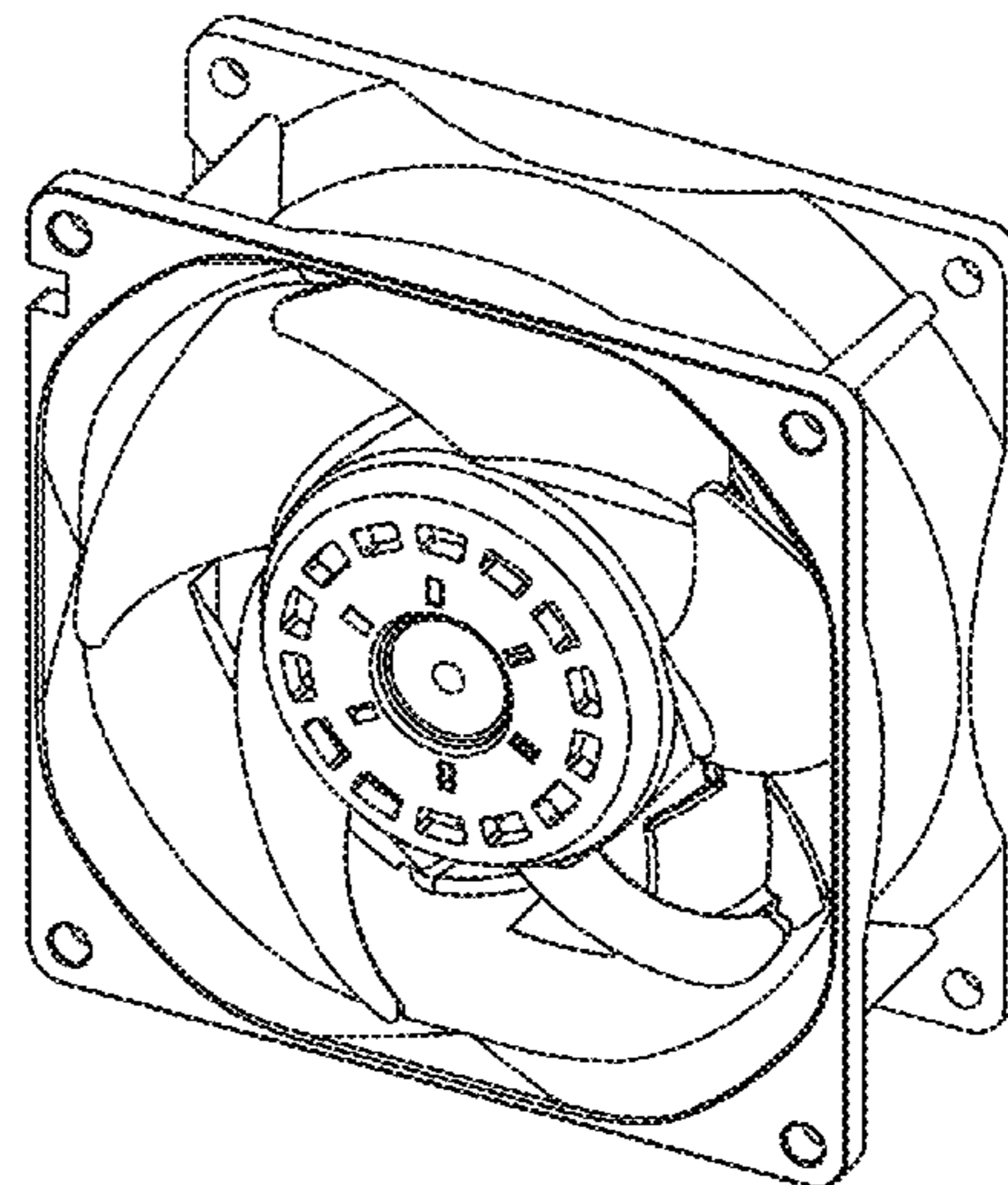
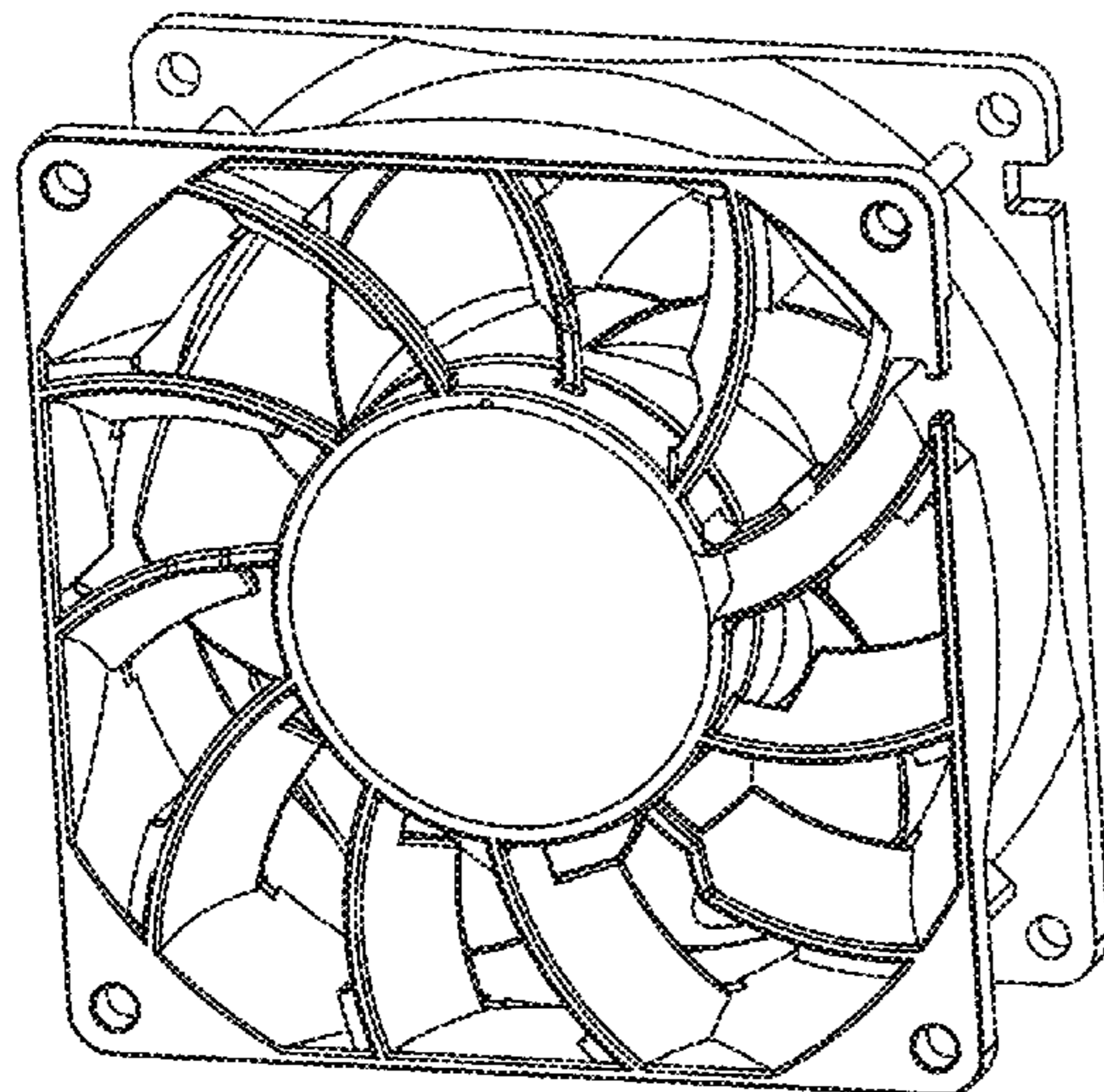
*Primary Examiner* — Susan Bennett Hattan  
*Assistant Examiner* — Marie Fast Horse  
(74) *Attorney, Agent, or Firm* — Novak Druce Connolly Bove + Quigg LLP

(57) **CLAIM**  
The ornamental designs for a fan, as shown and described.

**DESCRIPTION**

FIG. 1 is the front view of the fan;  
FIG. 2 is the rear view of the fan;  
FIG. 3 is the right side view of the fan;  
FIG. 4 is the left side view of the fan;  
FIG. 5 is the top view of the fan;  
FIG. 6 is the bottom view of the fan;  
FIG. 7 is the reference perspective view from the front side of the fan with the cable removed to show the design features obscured by the cable; and,  
FIG. 8 is the reference perspective view from the rear side of the fan with the cable removed to show the features obscured by the cable.  
The broken lines indicate parts of the fan that form no part of the claimed design.

**1 Claim, 4 Drawing Sheets**



(56)

References Cited

U.S. PATENT DOCUMENTS

D516,194 S \* 2/2006 Oosawa et al. .... D23/370  
 D516,693 S \* 3/2006 Oosawa et al. .... D23/370  
 7,086,456 B2 \* 8/2006 Lee et al. .... 165/121  
 7,117,932 B2 \* 10/2006 Ku et al. .... 165/121  
 7,300,262 B2 \* 11/2007 Ku et al. .... 417/366  
 7,301,769 B2 \* 11/2007 Li et al. .... 361/697  
 D560,622 S \* 1/2008 Ishihara et al. .... D13/179  
 7,349,211 B2 \* 3/2008 Chen et al. .... 361/695  
 7,391,611 B2 \* 6/2008 Ko et al. .... 361/695  
 7,429,162 B2 \* 9/2008 Lee et al. .... 415/211.2  
 7,442,005 B2 \* 10/2008 Yeh et al. .... 415/200  
 7,443,073 B2 \* 10/2008 Tung et al. .... 310/405  
 7,443,676 B1 \* 10/2008 Li ..... 361/700  
 D596,735 S \* 7/2009 Su ..... D23/381  
 D602,577 S \* 10/2009 Miyazawa et al. .... D23/370  
 7,619,888 B2 \* 11/2009 Yu et al. .... 361/697  
 7,762,767 B2 \* 7/2010 Miyazawa et al. .... 415/191  
 7,791,880 B2 \* 9/2010 Chen et al. .... 361/695  
 7,802,583 B2 \* 9/2010 Harman ..... 137/1  
 8,069,908 B2 \* 12/2011 Chen et al. .... 165/80.3  
 8,157,524 B2 \* 4/2012 Nicgorski et al. .... 416/93 R  
 8,162,038 B2 \* 4/2012 Wu et al. .... 165/104.33  
 8,230,904 B2 \* 7/2012 Xu ..... 165/80.3  
 8,235,095 B2 \* 8/2012 Kong ..... 165/80.3  
 D696,764 S \* 12/2013 Sato et al. .... D23/370  
 2001/0036416 A1 \* 11/2001 Obara ..... 417/423.1  
 2003/0184971 A1 \* 10/2003 Wu ..... 361/697  
 2004/0000398 A1 \* 1/2004 Lee et al. .... 165/185

2004/0136160 A1 \* 7/2004 Lee et al. .... 361/697  
 2004/0141288 A1 \* 7/2004 Franz et al. .... 361/695  
 2004/0218360 A1 \* 11/2004 Hsieh et al. .... 361/695  
 2005/0180849 A1 \* 8/2005 Chen et al. .... 415/220  
 2006/0012973 A1 \* 1/2006 Lin ..... 362/96  
 2006/0056152 A1 \* 3/2006 Li et al. .... 361/697  
 2007/0098544 A1 \* 5/2007 Wang ..... 415/126  
 2007/0286724 A1 \* 12/2007 Takemoto et al. .... 415/208.2  
 2008/0157634 A1 \* 7/2008 Sekiguchi et al. .... 310/67 R  
 2008/0193287 A1 \* 8/2008 Kobayashi et al. .... 415/208.2  
 2010/0158677 A1 \* 6/2010 Ishihara ..... 415/182.1  
 2010/0290923 A1 \* 11/2010 Liu ..... 417/63  
 2011/0097226 A1 \* 4/2011 Nakamura et al. .... 417/423.14  
 2011/0150638 A1 \* 6/2011 Chen et al. .... 415/182.1  
 2011/0150639 A1 \* 6/2011 Chen et al. .... 415/182.1  
 2011/0262271 A1 \* 10/2011 Fukuda et al. .... 415/220  
 2012/0107120 A1 \* 5/2012 Chang et al. .... 416/145  
 2012/0171043 A1 \* 7/2012 Lee et al. .... 416/235  
 2012/0308416 A1 \* 12/2012 Wu et al. .... 417/423.1  
 2012/0315168 A1 \* 12/2012 Yan et al. .... 417/423.7  
 2013/0315724 A1 \* 11/2013 Hsiung et al. .... 415/206  
 2014/0064959 A1 \* 3/2014 Yanagisawa ..... 415/222

OTHER PUBLICATIONS

San Ace 92.(Sanyo Denko) sanyodenki.co.kr. (online) 2 pages.  
 Posted Nov. 5, 2009. [retrieved on Dec. 4, 2009]. Retrieved from  
 Internet: <<http://www.sanyodenki.co.kr/newsrelease/hp0001/index00430000.html>>.\*

\* cited by examiner

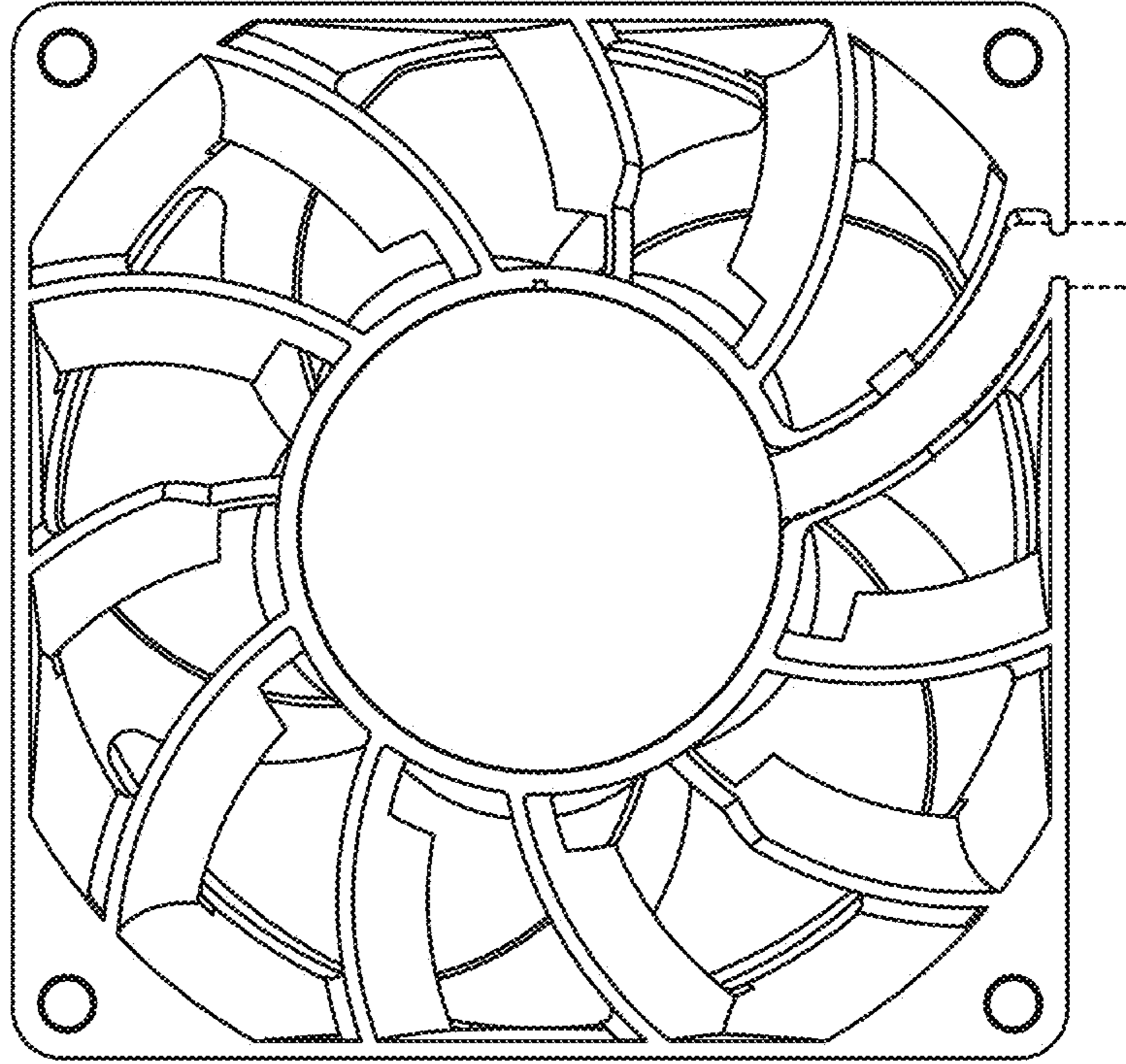


FIG. 1

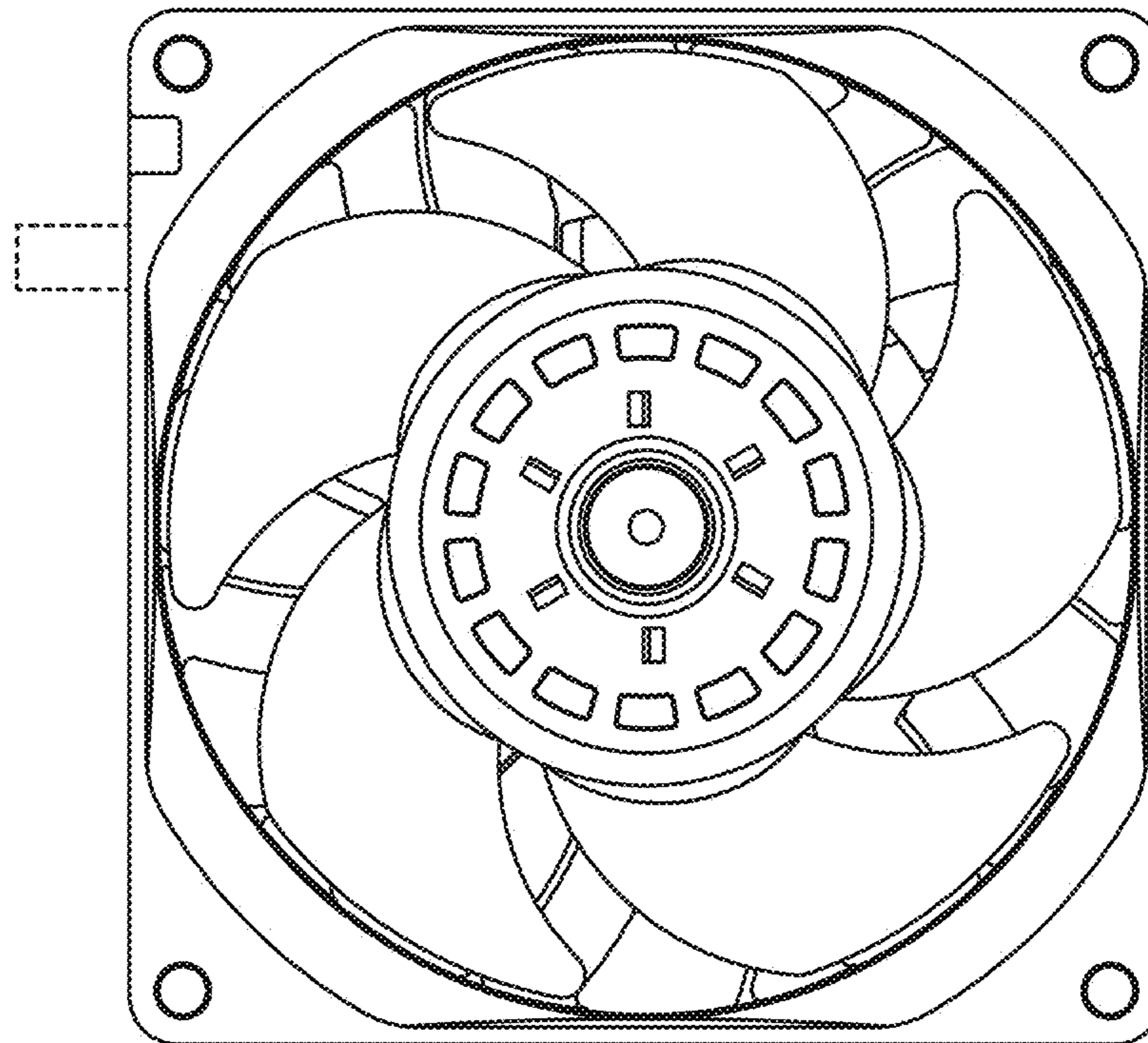


FIG. 2

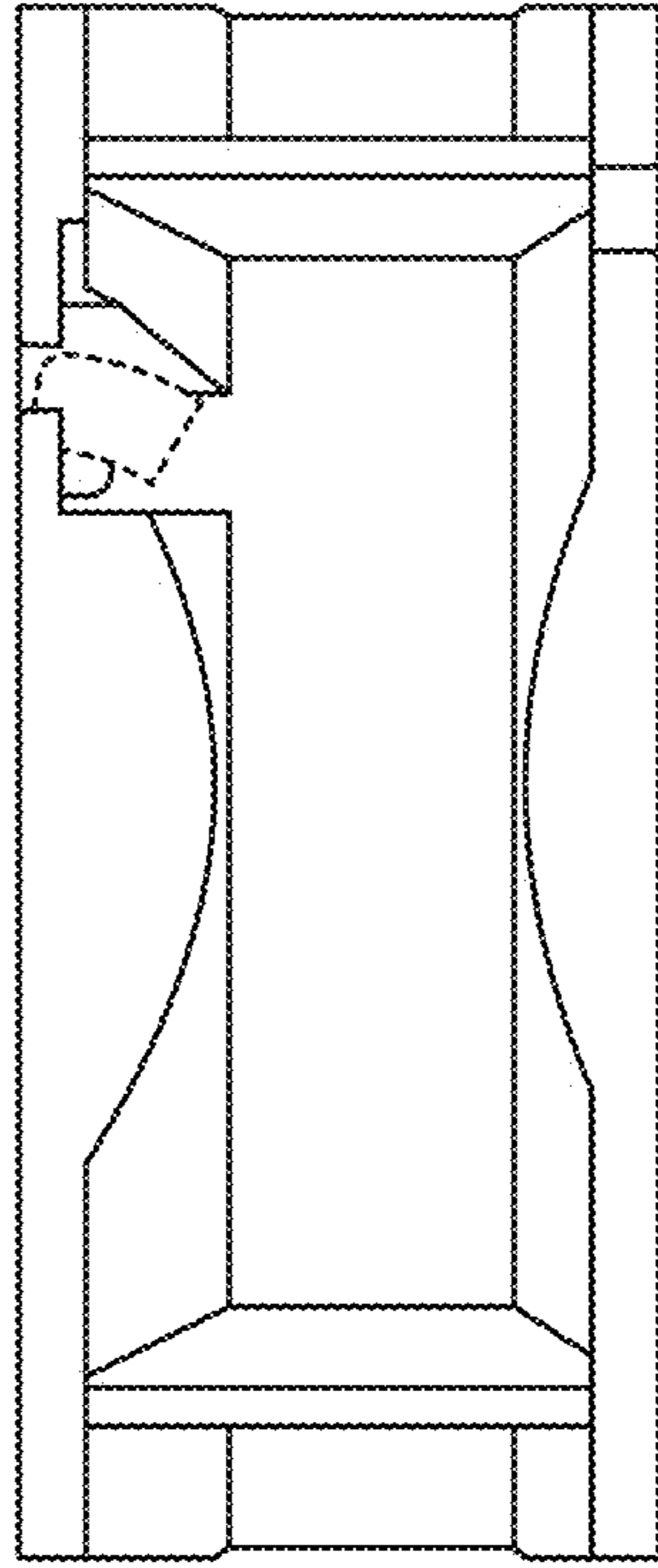


FIG. 3

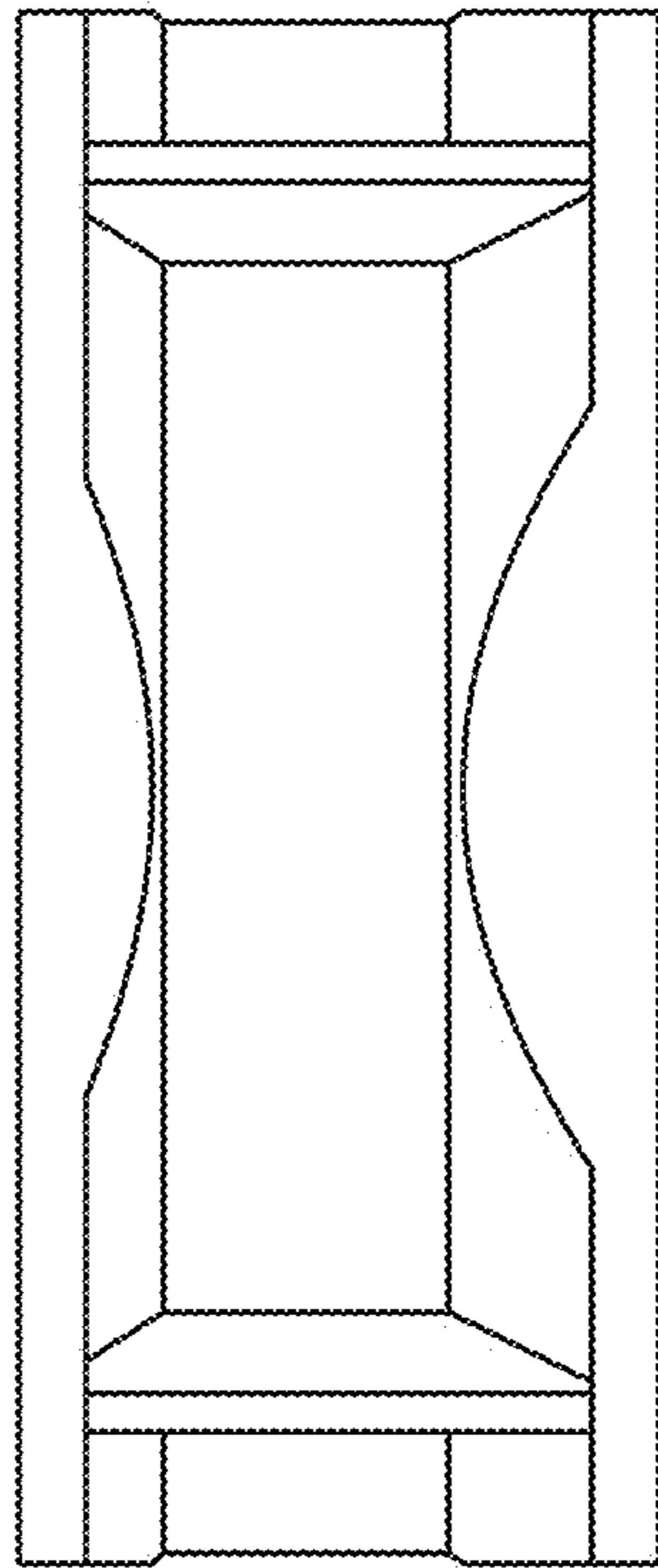


FIG. 4

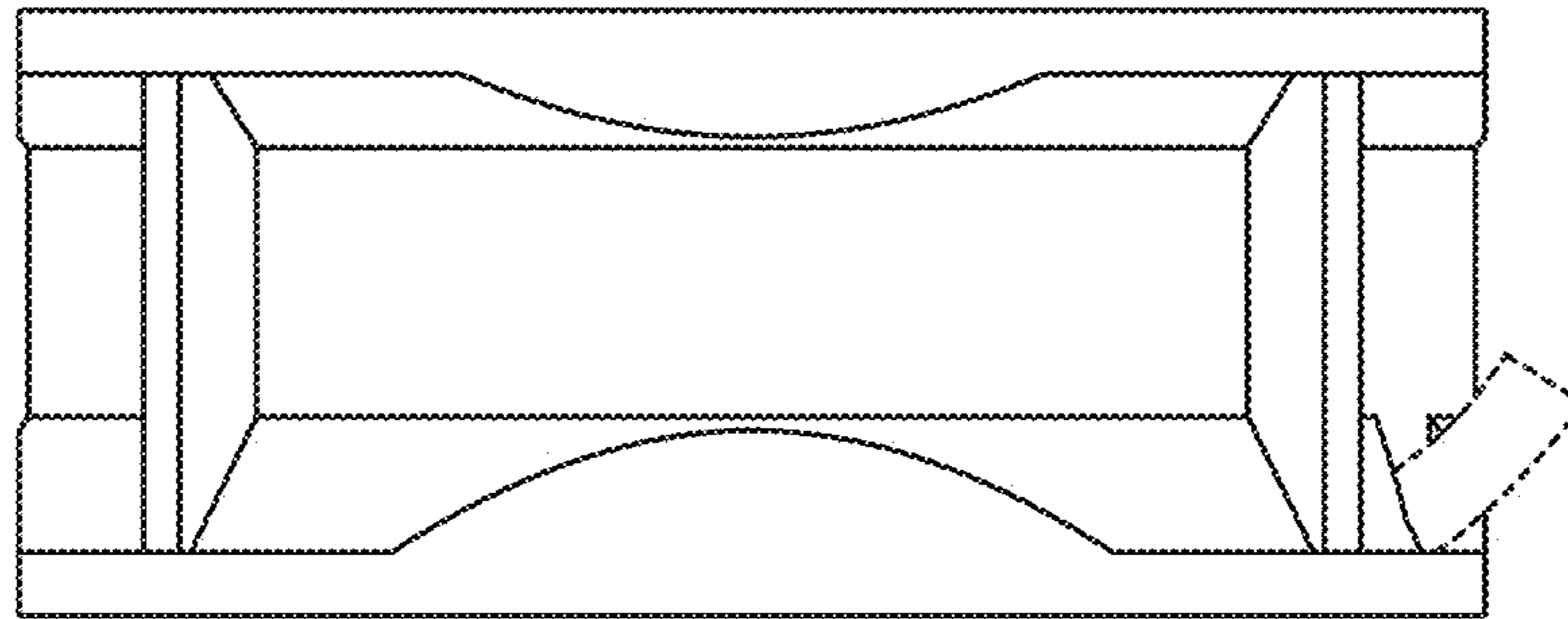


FIG. 5

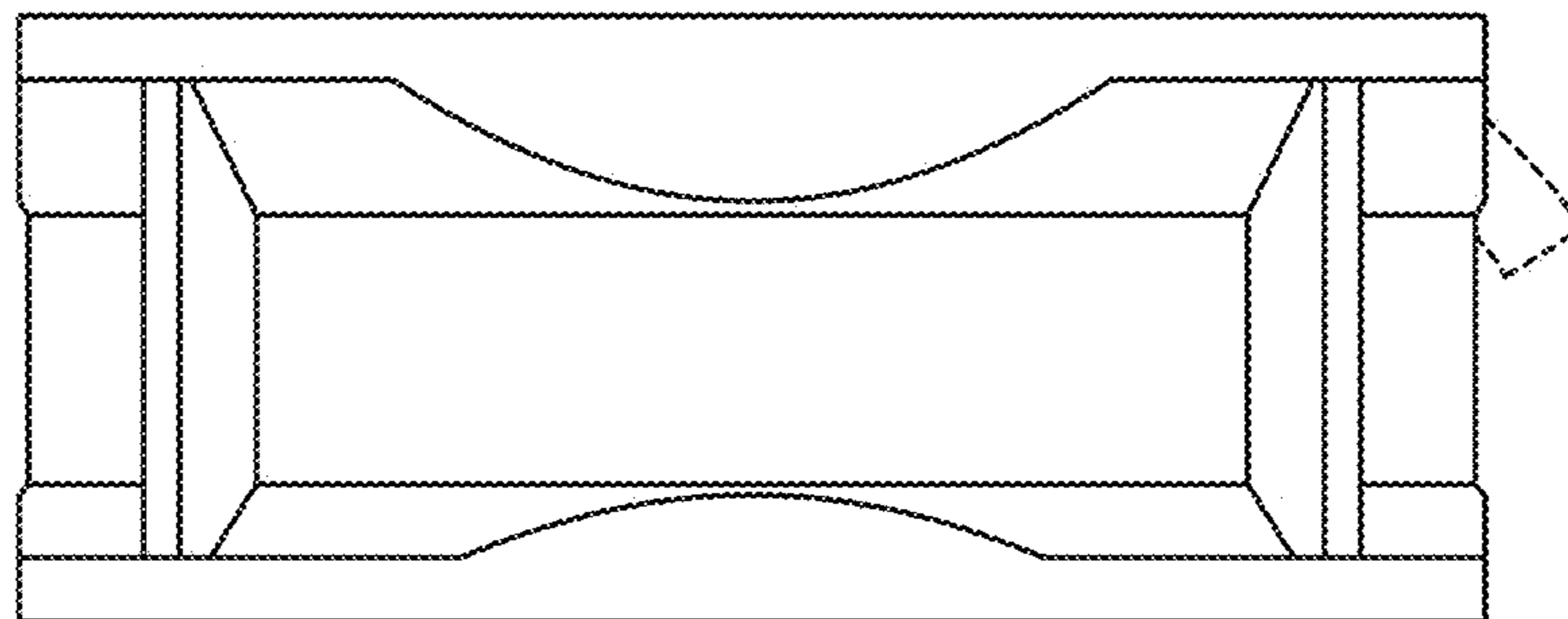


FIG. 6

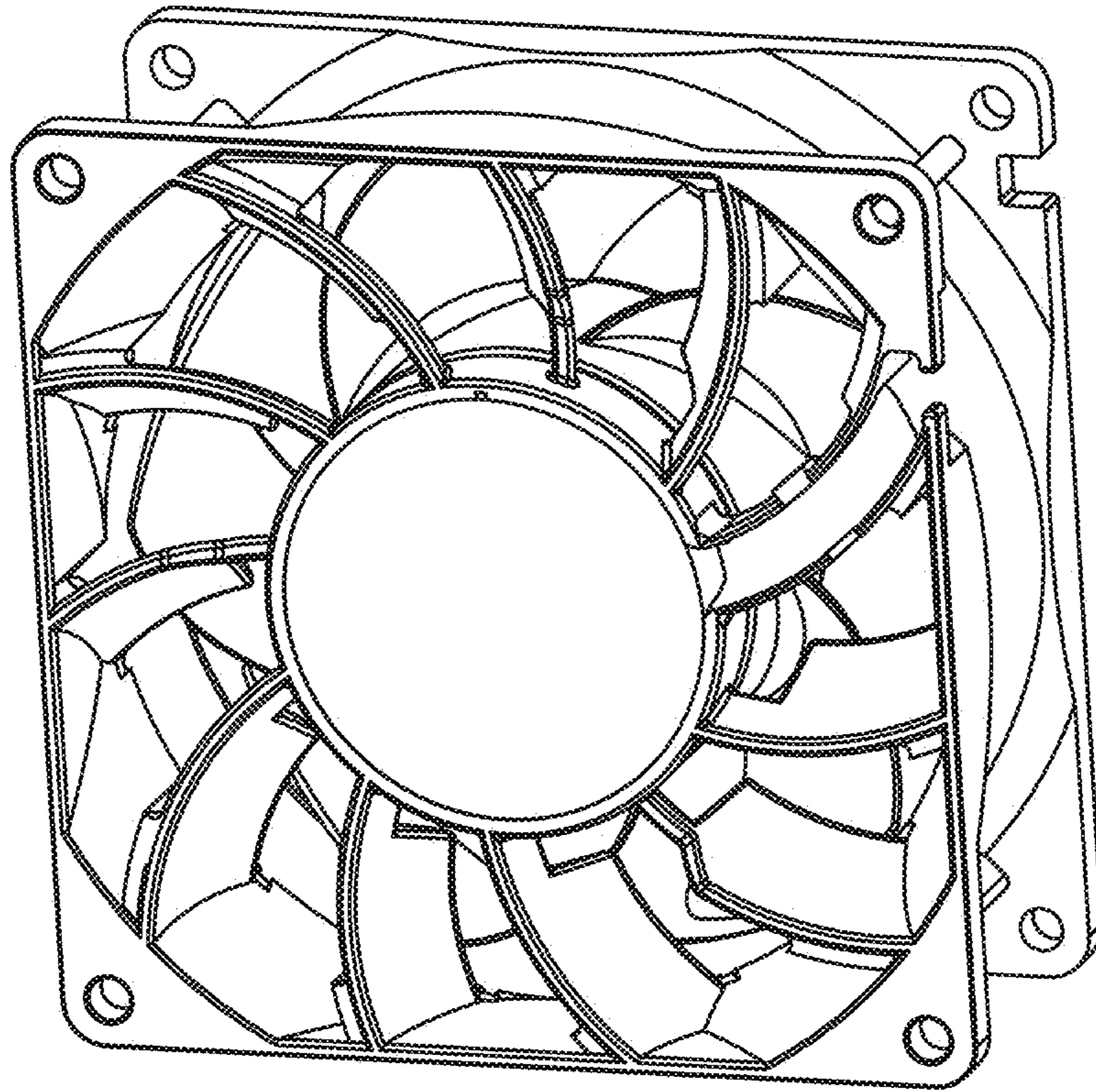


FIG. 7

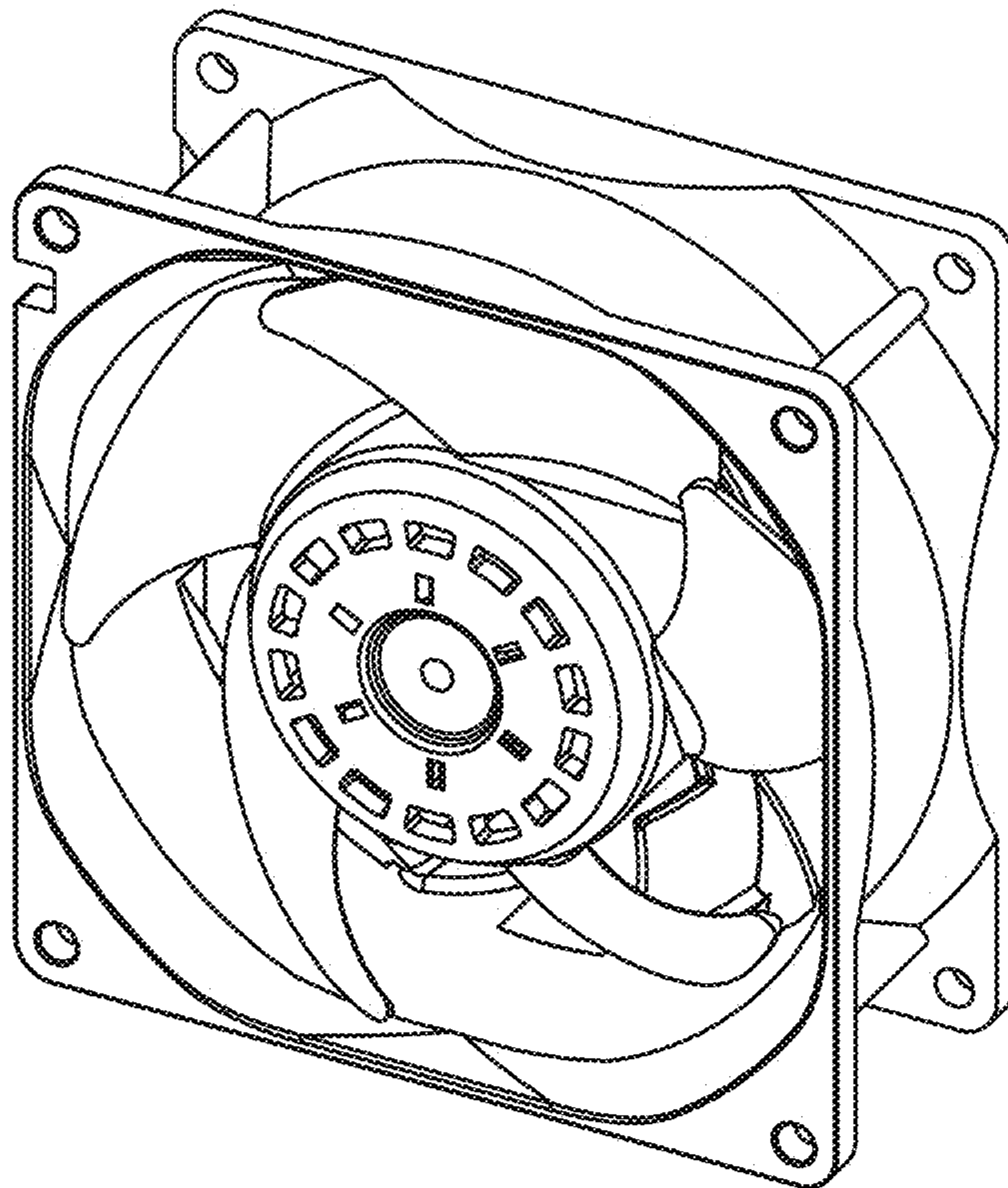


FIG. 8