



US00D732653S

(12) **United States Design Patent**  
**Hsiao**

(10) **Patent No.:** **US D732,653 S**  
(45) **Date of Patent:** **\*\* Jun. 23, 2015**

- (54) **SCENT WARMER**
- (71) Applicant: **Ming Jen Hsiao**, Miaoli County (TW)
- (72) Inventor: **Ming Jen Hsiao**, Miaoli County (TW)
- (\*\*) Term: **14 Years**
- (21) Appl. No.: **29/509,649**
- (22) Filed: **Nov. 19, 2014**
- (51) **LOC (10) Cl.** ..... **28-99**
- (52) **U.S. Cl.**  
USPC ..... **D23/366**
- (58) **Field of Classification Search**  
USPC ..... D23/355-369; D28/5, 6; 261/DIG. 17,  
261/DIG. 42, DIG. 65, DIG. 88, DIG. 89;  
392/386, 390, 394, 395, 392; 239/34,  
239/44, 53, 55, 56, 326; D26/22;  
D11/131.1; D7/509  
CPC ..... A61L 9/00; A61L 9/02; A61L 9/03;  
A61L 9/032; A61L 9/035; A61L 9/037;  
A61L 9/04; A61L 9/12; A61L 9/22  
See application file for complete search history.

D509,893 S *	9/2005	Sevy .....	D23/366
D544,084 S *	6/2007	Michaels et al. ....	D23/366
D689,181 S *	9/2013	Irvin et al. ....	D23/366
D692,547 S *	10/2013	Wirz .....	D23/366
D692,551 S *	10/2013	Wirz .....	D23/366
D696,763 S *	12/2013	Li .....	D23/366
D698,909 S *	2/2014	Chou .....	D23/366
D698,910 S *	2/2014	Lin .....	D23/366

\* cited by examiner

*Primary Examiner* — Sandra Snapp  
(74) *Attorney, Agent, or Firm* — Ming Chow; Sinorica, LLC

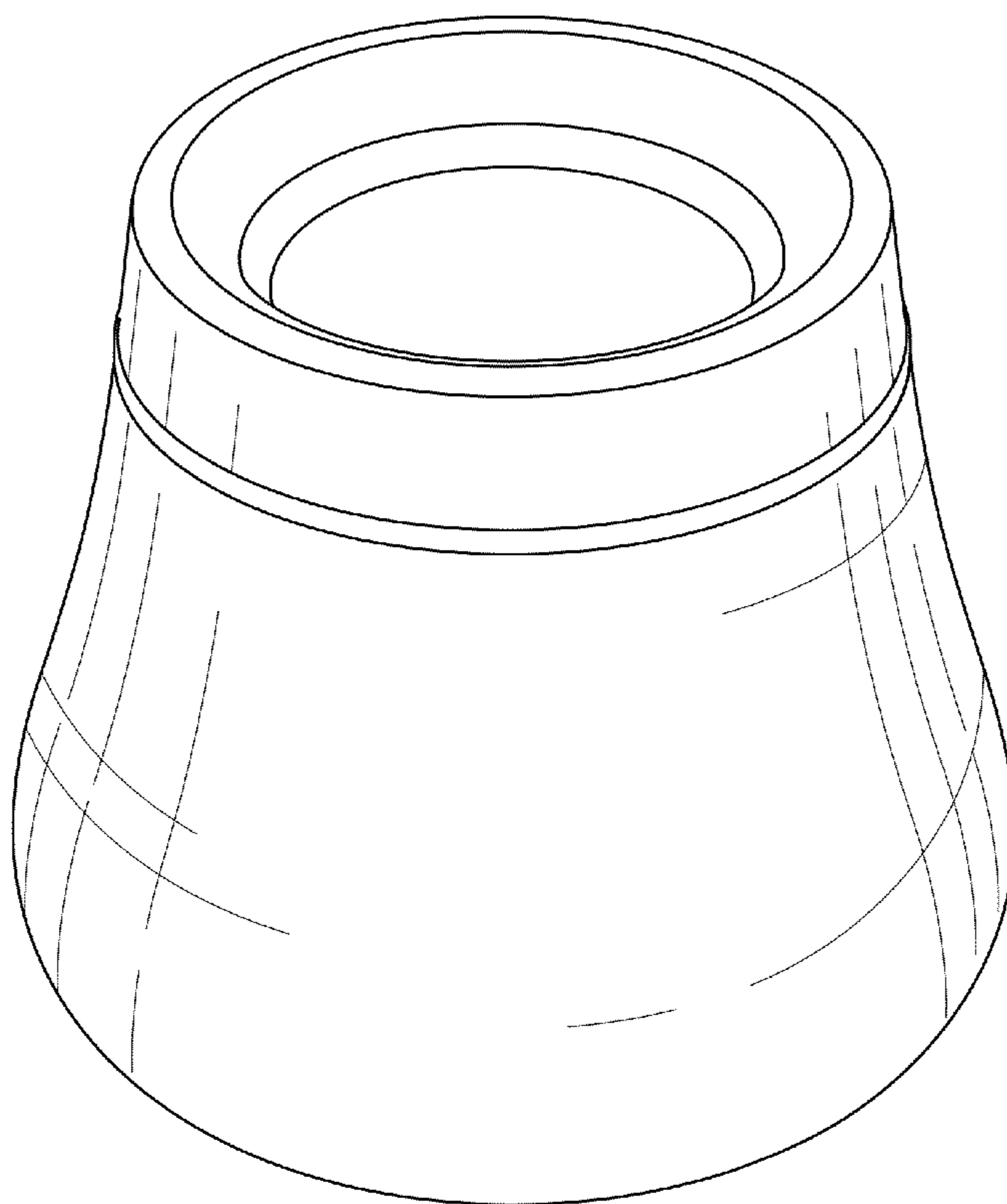
(57) **CLAIM**  
The ornamental design for a scent warmer, as shown and described.

**DESCRIPTION**

FIG. 1 is a perspective view of a scent warmer showing my new design;  
FIG. 2 is a front view thereof;  
FIG. 3 is a rear view thereof;  
FIG. 4 is a left side view thereof;  
FIG. 5 is a right side view thereof;  
FIG. 6 is a top view thereof; and,  
FIG. 7 is a bottom view thereof.

- (56) **References Cited**  
U.S. PATENT DOCUMENTS  
D454,190 S \* 3/2002 Trocola ..... D23/366  
6,435,694 B1 \* 8/2002 Bell et al. .... 362/161

**1 Claim, 7 Drawing Sheets**



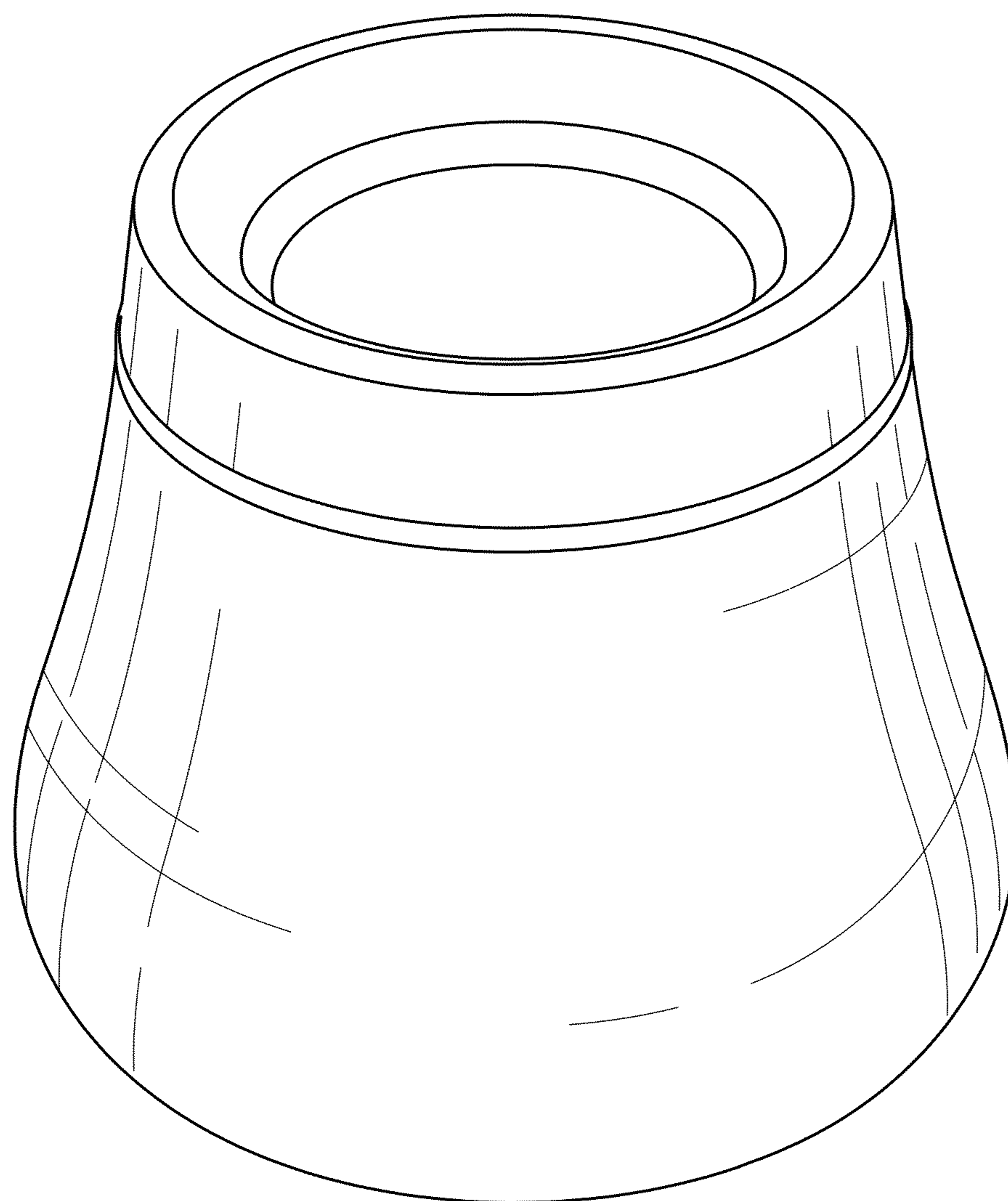


FIG. 1

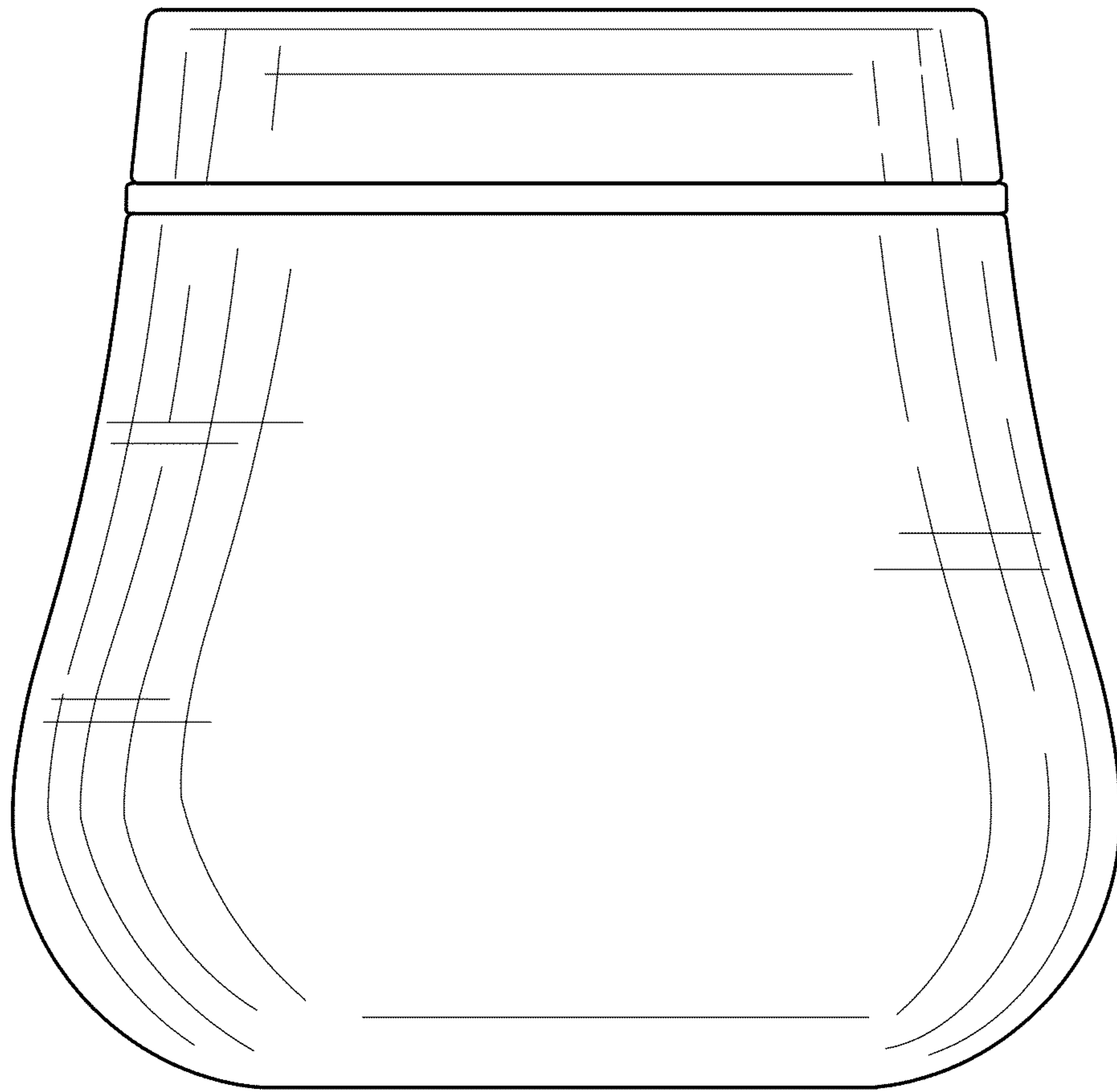


FIG. 2

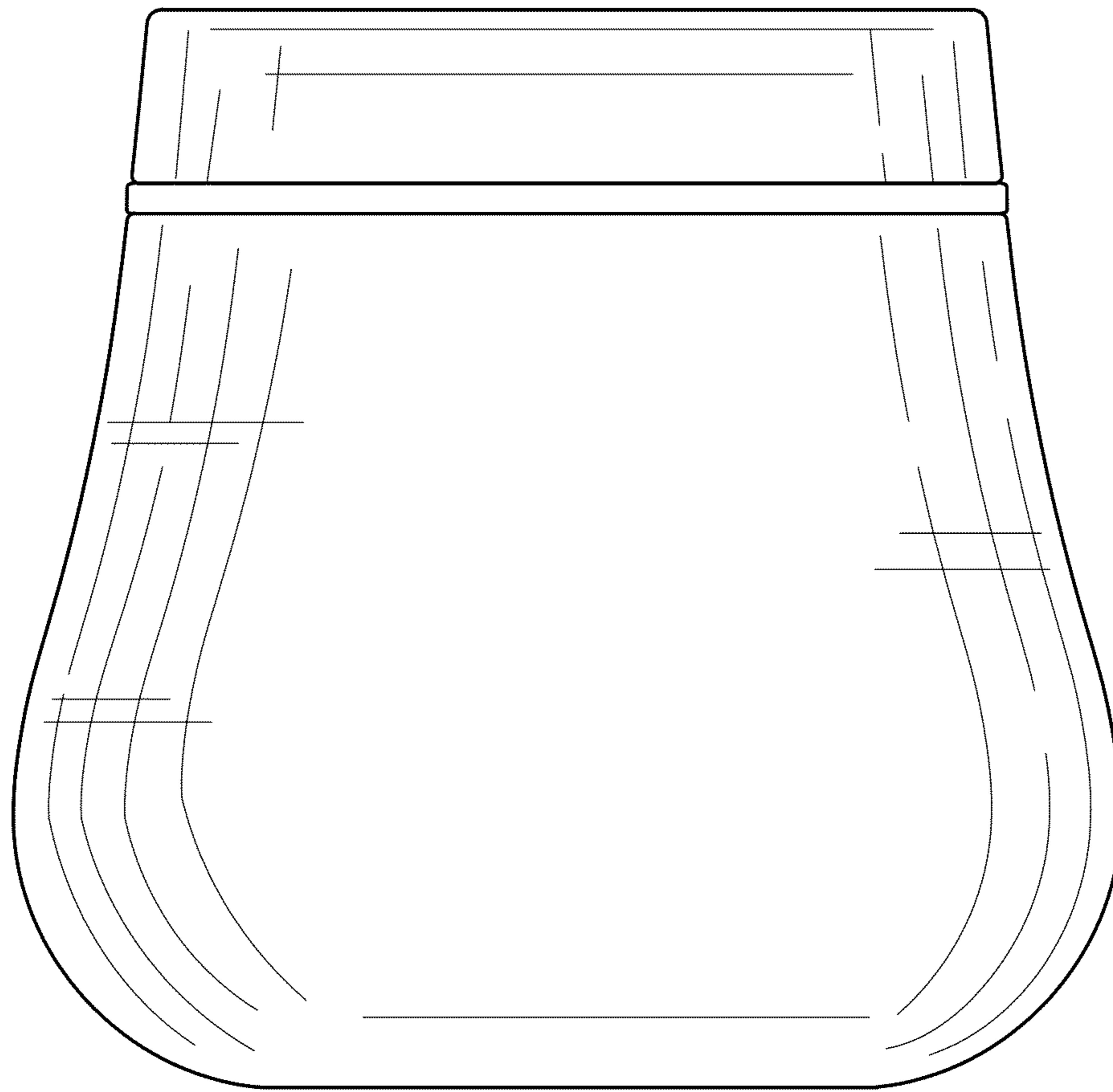


FIG. 3

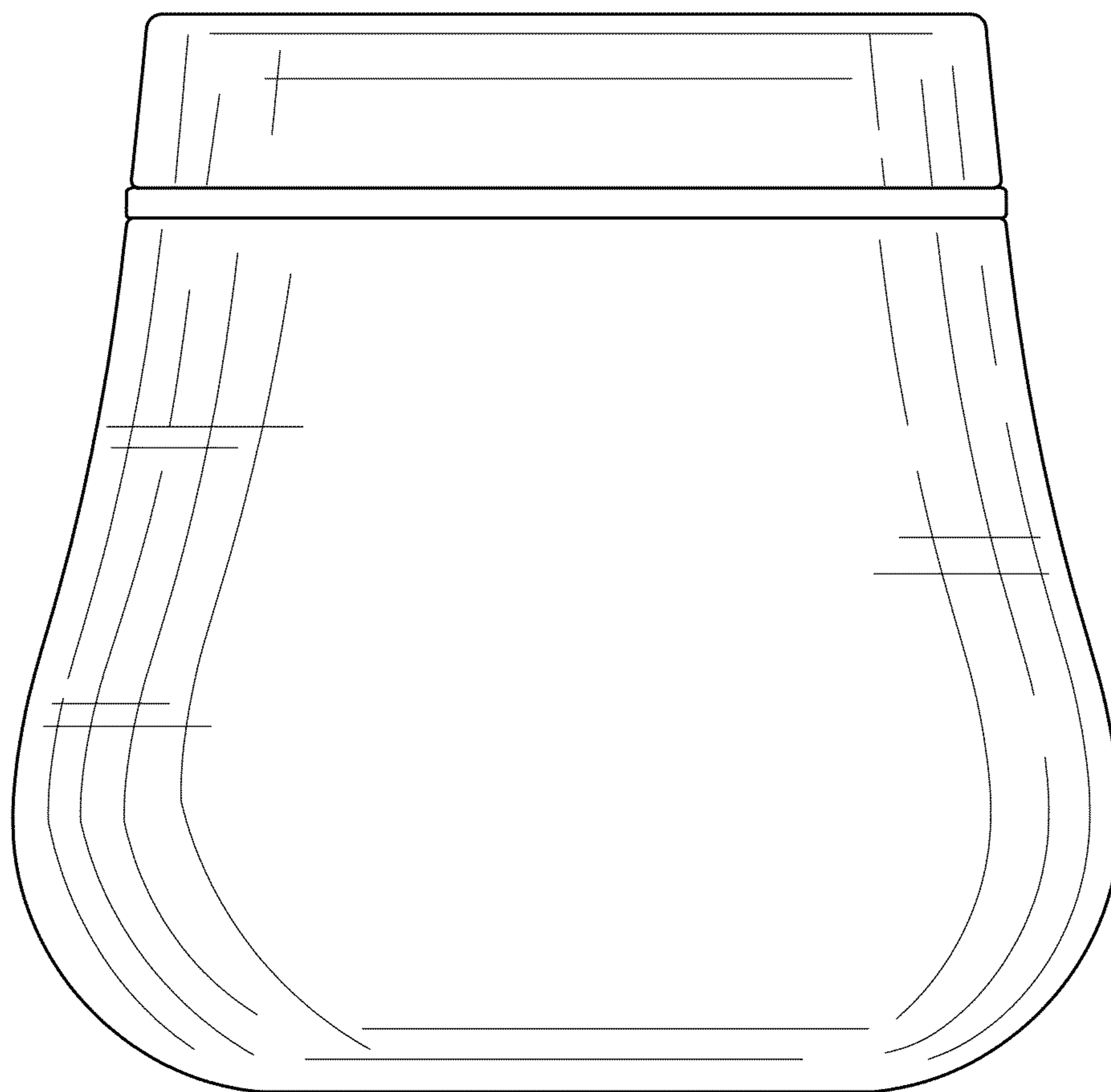


FIG. 4

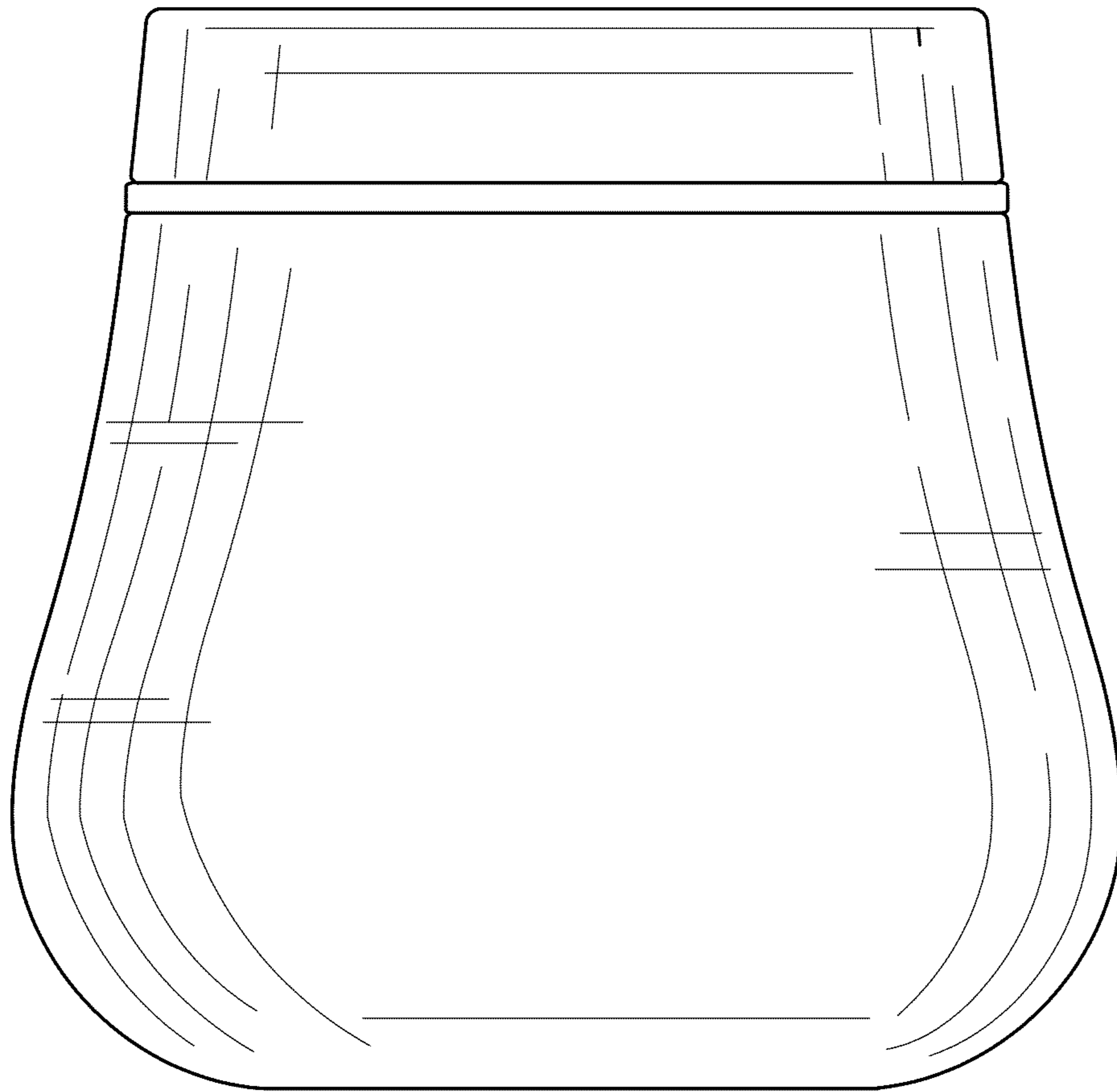


FIG. 5

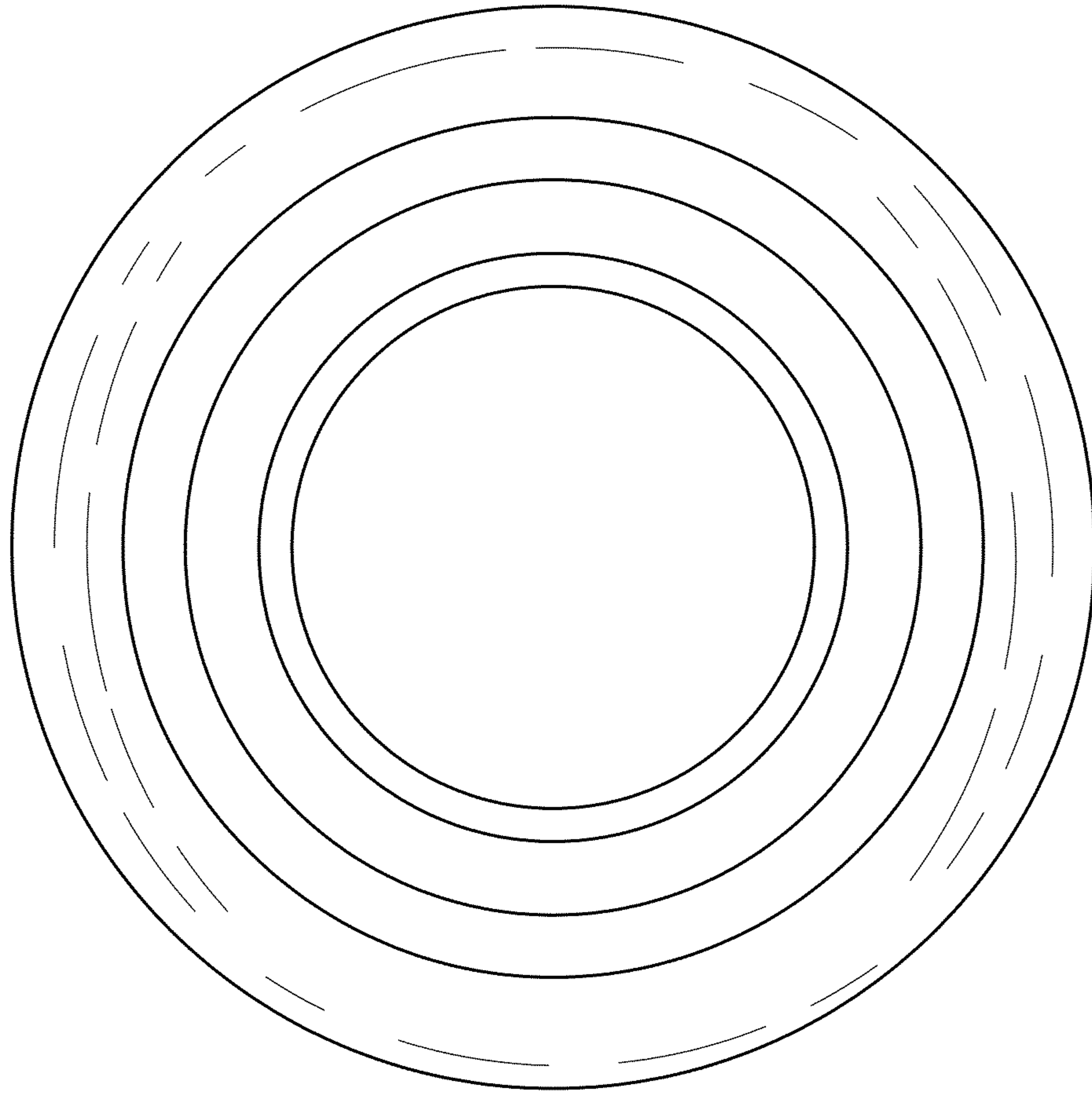


FIG. 6

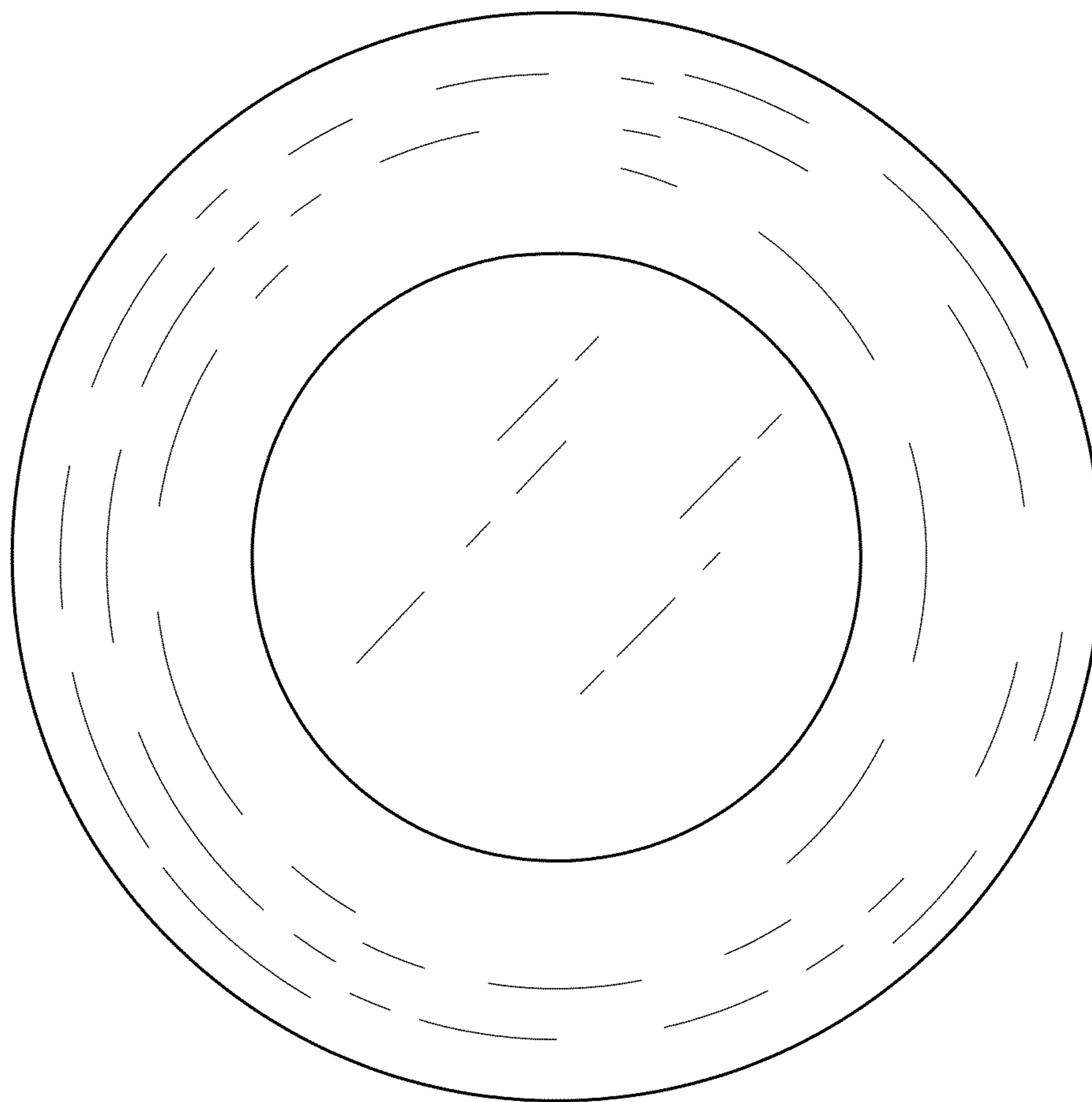


FIG. 7