



US00D732652S

(12) **United States Design Patent**
Furner et al.

(10) **Patent No.:** **US D732,652 S**
(45) **Date of Patent:** **** Jun. 23, 2015**

(54) **VOLATILE DISPENSER**
(71) Applicant: **S.C. Johnson & Son, Inc.**, Racine, WI (US)
(72) Inventors: **Paul E. Furner**, Racine, WI (US); **Nitin Sharma**, Kenosha, WI (US); **Zahra Tashakorinia**, San Francisco, CA (US); **Terence Lup-ho Kwan**, South San Francisco, CA (US); **Evelyne Chaubert**, San Francisco, CA (US); **Jessica M. Gilbertson**, San Francisco, CA (US); **Wenson Chern**, San Jose, CA (US)

D403,758 S * 1/1999 Bryson et al. D23/366
6,244,518 B1 * 6/2001 Pogue 239/36
D455,485 S 4/2002 Hensel
D456,886 S 5/2002 Hart et al.
D485,341 S 1/2004 Wu
D490,886 S 6/2004 Engerant
D491,257 S * 6/2004 Picken, Jr. D23/366
6,775,470 B2 * 8/2004 Zobebe et al. 392/390
D512,137 S 11/2005 Chen

(Continued)

FOREIGN PATENT DOCUMENTS

EM 000079868-0001 12/2003
EM 000156401-0001 6/2004

(Continued)

Primary Examiner — Sandra Snapp

(73) Assignee: **S.C. Johnson & Son, Inc.**, Racine, WI (US)

(**) Term: **14 Years**

(21) Appl. No.: **29/493,104**

(22) Filed: **Jun. 5, 2014**

(51) **LOC (10) Cl.** **28-99**

(52) **U.S. Cl.**
USPC **D23/366**

(58) **Field of Classification Search**
USPC D23/355–369; D28/5, 6; 261/DIG. 17, 261/DIG. 42, DIG. 65, DIG. 88, DIG. 89; 392/386, 390, 394, 395; 239/34, 44, 239/53, 55, 56, 326; D26/14, 17, 98, 9, 22, D26/24; D11/131.1; D7/509, 522, 524, 537
CPC A61L 9/00; A61L 9/02; A61L 9/03; A61L 9/032; A61L 9/035; A61L 9/037; A61L 9/04; A61L 9/12; A61L 9/22
See application file for complete search history.

(56) **References Cited**

U.S. PATENT DOCUMENTS

D255,263 S * 6/1980 Mandon et al. D23/369
D289,919 S * 5/1987 O’Neil, Jr. D23/366
D399,945 S * 10/1998 Bonomo et al. D23/369

(57) **CLAIM**

The ornamental design for a volatile dispenser, as shown and described.

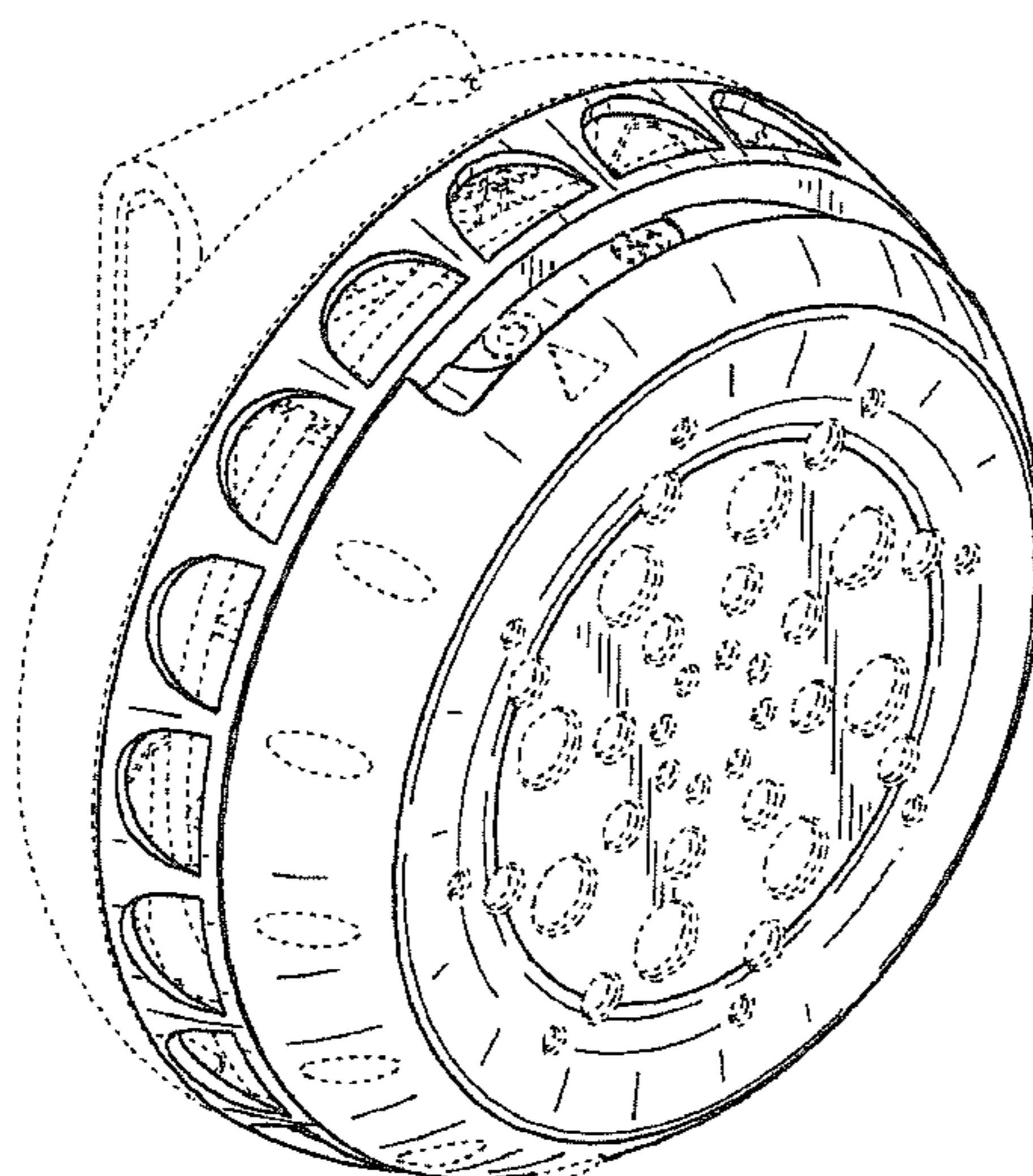
DESCRIPTION

FIG. 1 is a left, top, frontal perspective view of a volatile dispenser embodying our new design;
FIG. 2 is a front elevational view thereof;
FIG. 3 is a left side elevational view thereof;
FIG. 4 is a right side elevational view thereof;
FIG. 5 is a top plan view thereof;
FIG. 6 is a bottom plan view thereof; and,
FIG. 7 is a rear elevational view thereof.

The broken line representations in the views are for illustrative purposes only and form no part of the claimed design. Dash-dot broken lines represent the boundary between claimed and unclaimed areas and form no part of the claimed design.

In a preferred embodiment the nature of this product is an air treatment dispenser suitable to hang on a person’s belt, pocket, or other clothing item and dispense insect repellents (for example, mosquito repellent).

1 Claim, 5 Drawing Sheets



(56)

References Cited

U.S. PATENT DOCUMENTS

D515,681 S 2/2006 Muir et al.
 D535,007 S 1/2007 Koon
 D535,008 S 1/2007 Wu
 D538,415 S 3/2007 Ching
 D544,088 S 6/2007 Wu
 D544,952 S 6/2007 Zobebe
 D544,953 S 6/2007 Kee
 D546,433 S 7/2007 Wu
 D548,109 S 8/2007 Rust et al.
 D548,609 S 8/2007 Considine et al.
 D549,812 S * 8/2007 Fellows et al. D23/366
 D550,345 S 9/2007 Weggelaar
 D551,333 S 9/2007 Wu
 D552,723 S 10/2007 Sakata et al.
 D553,233 S 10/2007 Hatch et al.
 D555,358 S 11/2007 King
 D555,776 S 11/2007 Chiu
 D555,778 S 11/2007 Fellows et al.
 D556,312 S 11/2007 Majerowski et al.
 D556,854 S 12/2007 Cheung et al.
 D559,372 S 1/2008 Lam
 D565,164 S 3/2008 Duston et al.
 D565,715 S 4/2008 Wu
 D568,692 S 5/2008 Lam
 D573,687 S 7/2008 Hill
 D583,037 S * 12/2008 Kenny D23/366
 D585,129 S 1/2009 Huang
 D585,537 S 1/2009 Weggelaar
 D588,688 S 3/2009 Lablaine
 D591,415 S 4/2009 Wu
 D593,670 S 6/2009 Valentino et al.
 D599,881 S 9/2009 Wang et al.
 D604,466 S 11/2009 Gaa et al.
 D610,666 S 2/2010 Furner et al.
 D611,588 S 3/2010 Jorgensen
 D612,923 S 3/2010 Wu
 D613,369 S 4/2010 Enever et al.
 D621,923 S 8/2010 Koenig et al.
 D626,205 S 10/2010 Fabregas et al.
 D629,500 S 12/2010 Koenig et al.
 D629,881 S 12/2010 Valentino et al.
 D631,954 S 2/2011 Bertassi et al.

D641,464 S 7/2011 De Haan et al.
 D649,237 S * 11/2011 Bilko et al. D23/366
 D666,284 S 8/2012 Robinson et al.
 D671,596 S 11/2012 Ruthe-Steinsiek
 D676,540 S 2/2013 Sanders
 D682,986 S 5/2013 Grether
 D684,674 S 6/2013 Blachford et al.
 D686,719 S 7/2013 Lin
 D708,728 S * 7/2014 Yoo et al. D23/364

FOREIGN PATENT DOCUMENTS

EM 000263454-0001 2/2005
 EM 000321229-0002 5/2005
 EM 000431630-0001 12/2005
 EM 000471263-0001 3/2006
 EM 000477286-0001 3/2006
 EM 000504832-0001 5/2006
 EM 000557483-0001 8/2006
 EM 000923313-0001 6/2008
 EM 001138622-0002 5/2009
 EM 001146492-0003 9/2009
 EM 001187793-0001 2/2010
 EM 001215073-0001 8/2010
 EM 001758681-0001 10/2010
 EM 001987231-0002 2/2012
 EM 002098665-0001 9/2012
 EM 002098665-0005 9/2012
 EM 002172197-0001 1/2013
 EM 002227181-0001 5/2013
 EM 002268474-0003 7/2013
 WO DM/047245 6/1999
 WO DM/050502 3/2000
 WO DM/056916 9/2001
 WO DM/061654 11/2002
 WO DM/063397 5/2003
 WO DM/068173 3/2007
 WO DM/068179 3/2007
 WO DM/069842 9/2008
 WO DM/072349 4/2010
 WO DM/073094 8/2010
 WO DM/073823 12/2010
 WO DM/071743 9/2011
 WO DM/078572 1/2013

* cited by examiner

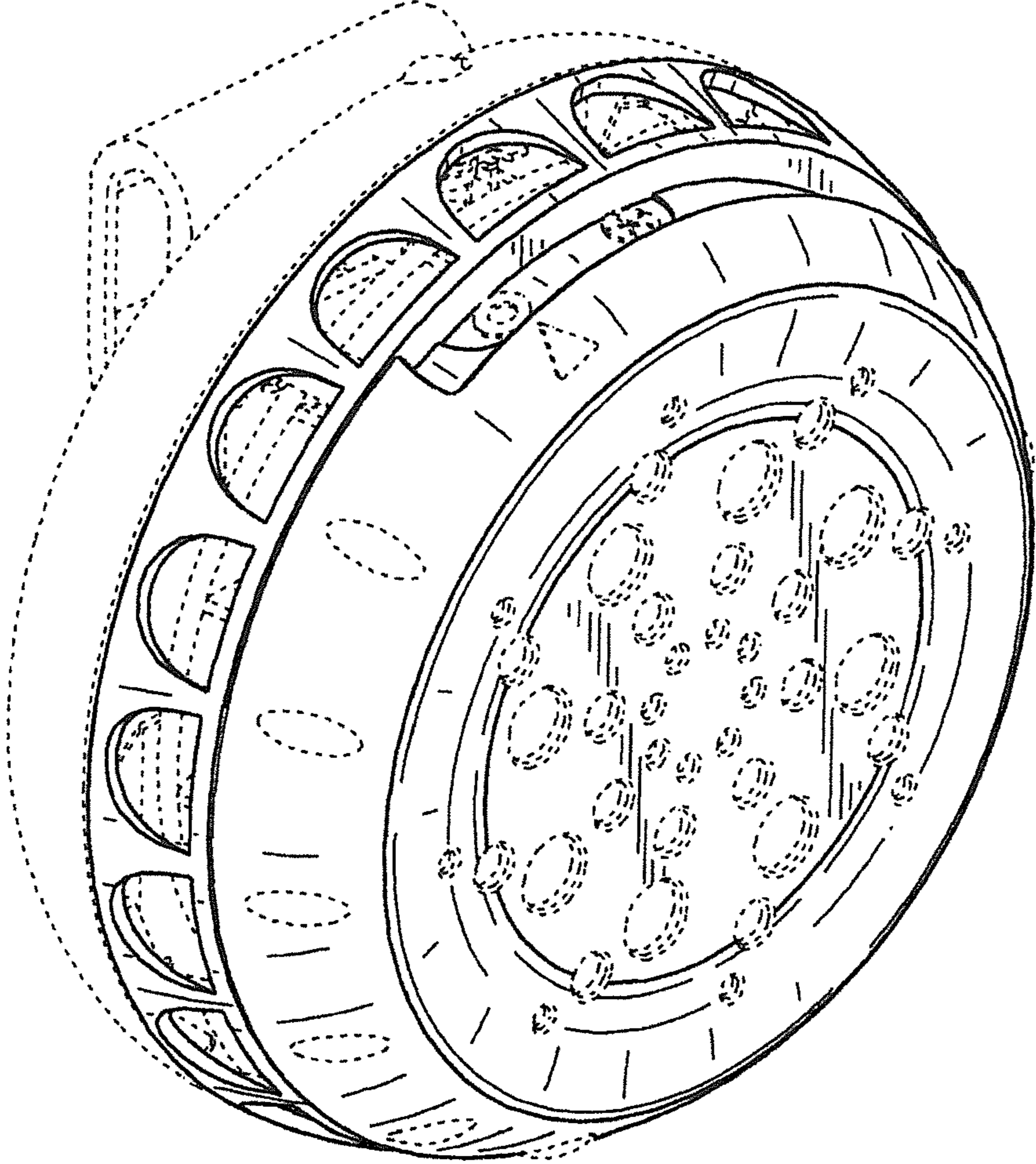


FIG. 1

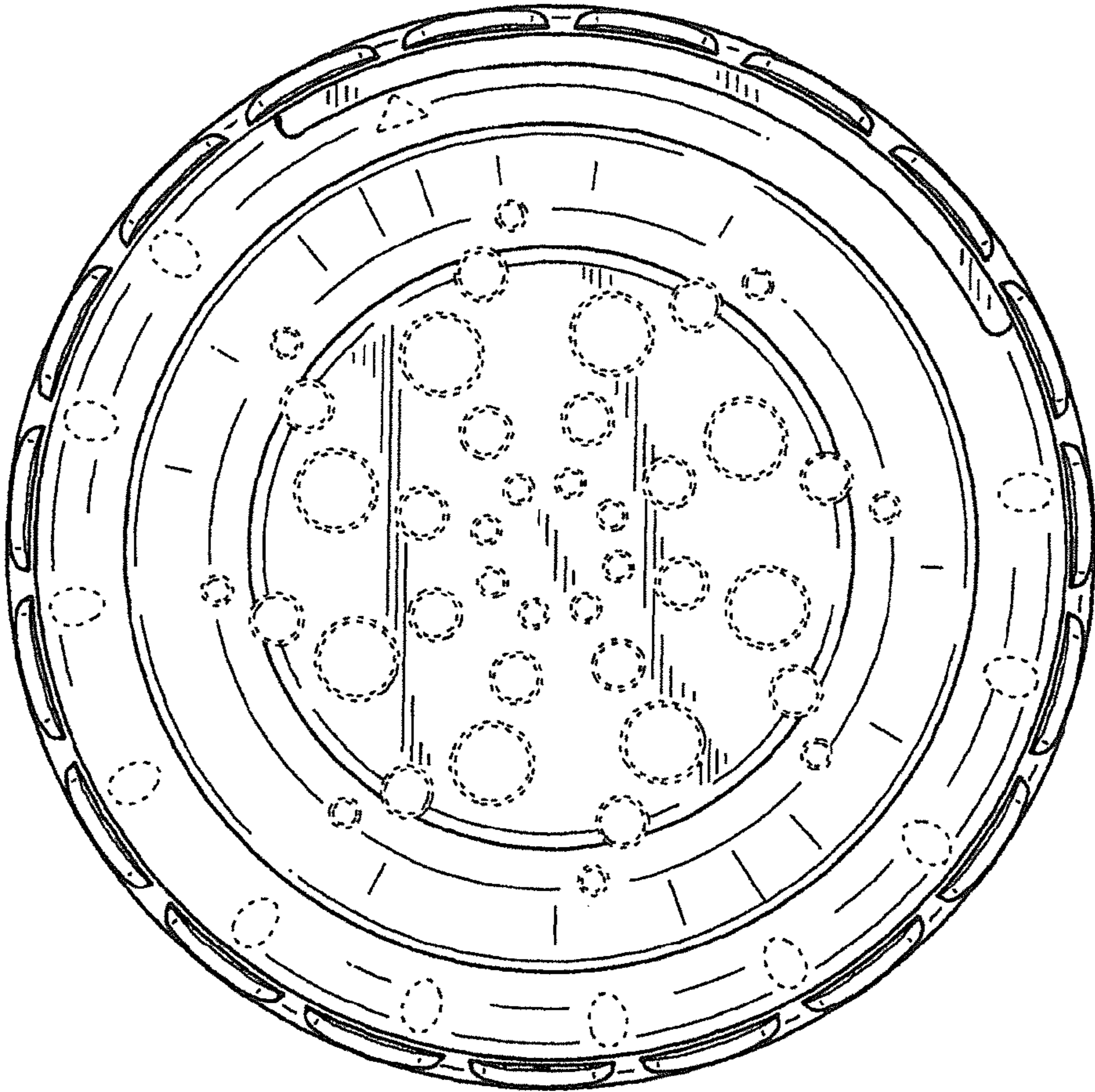


FIG. 2

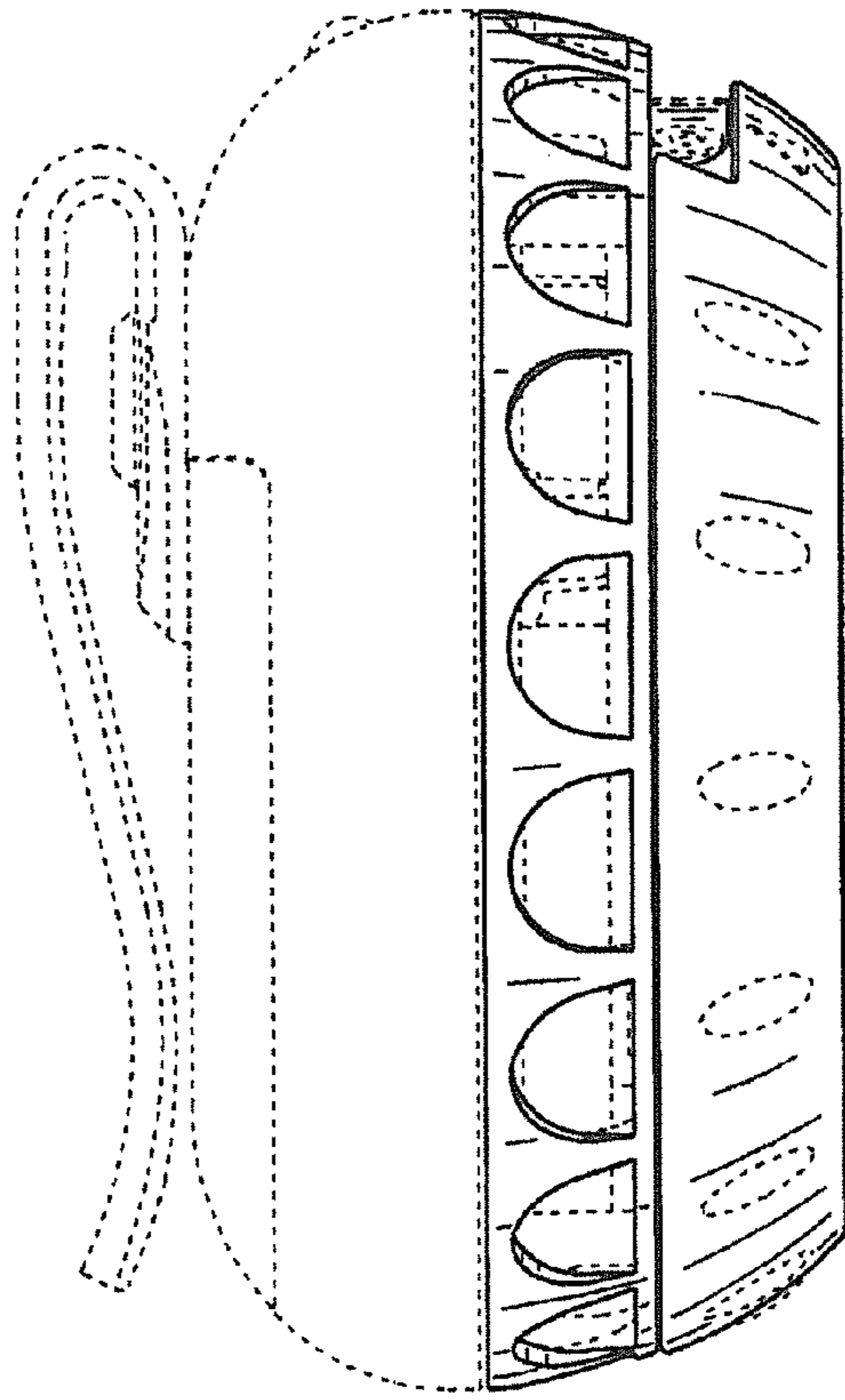


FIG. 3

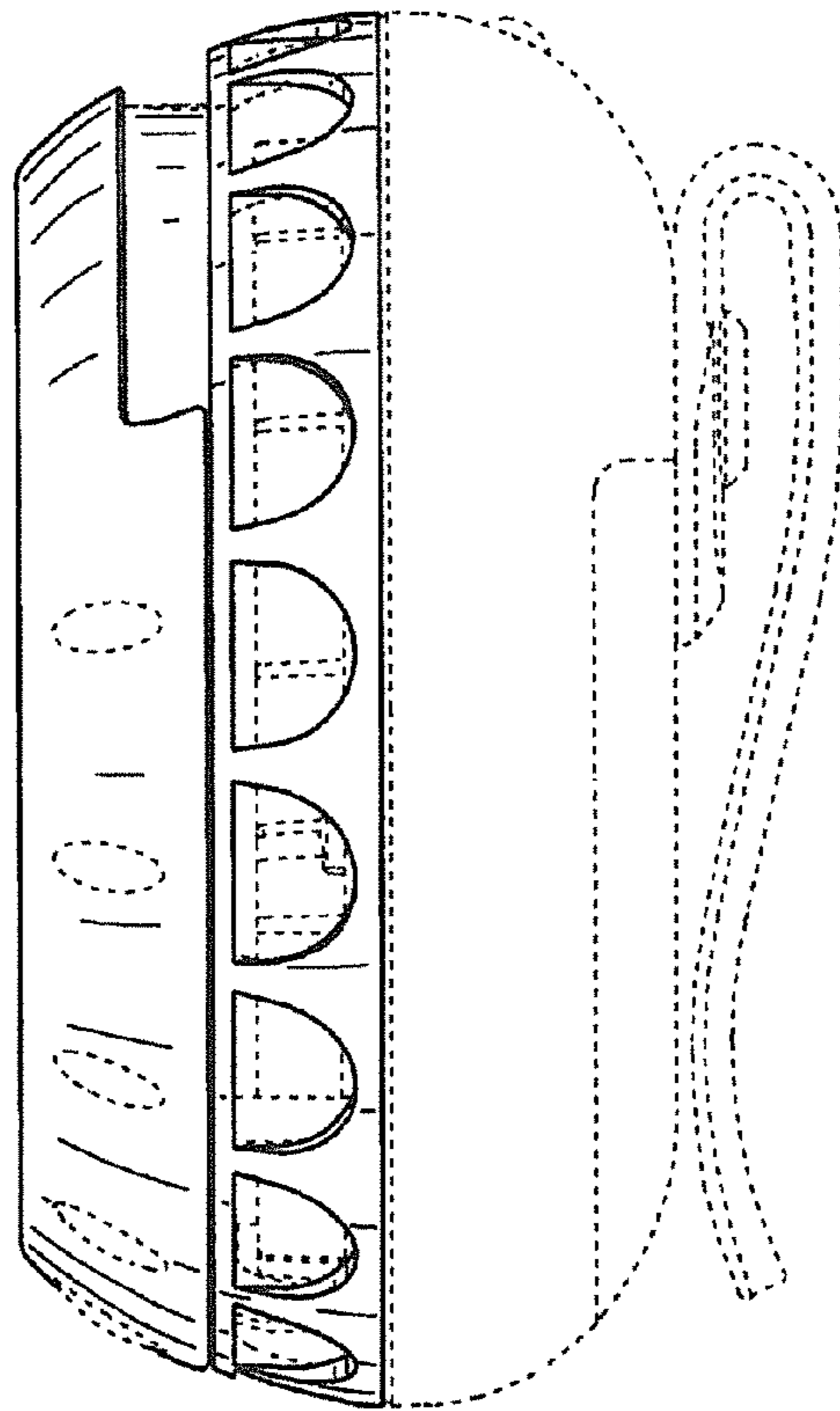


FIG. 4

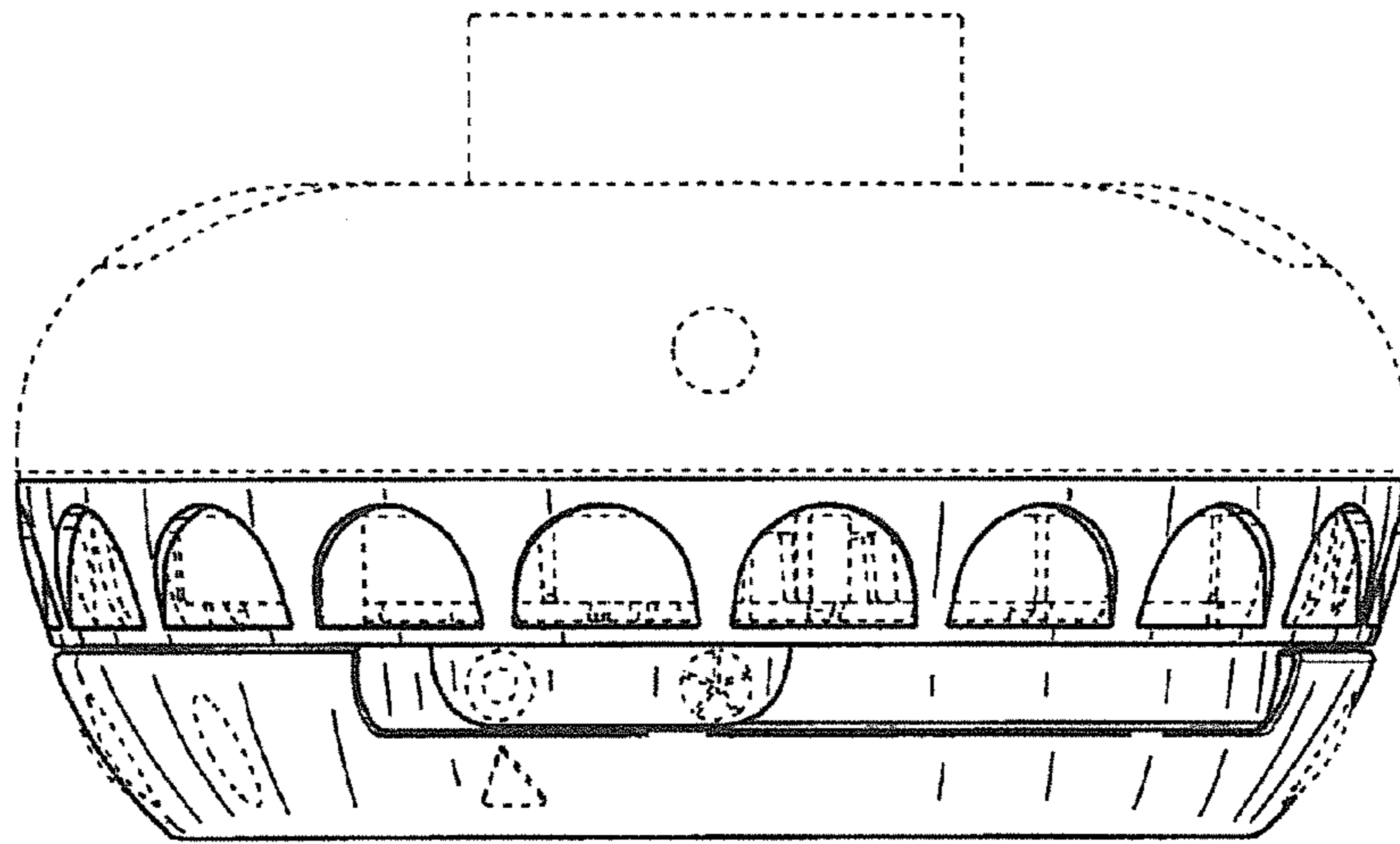


FIG. 5

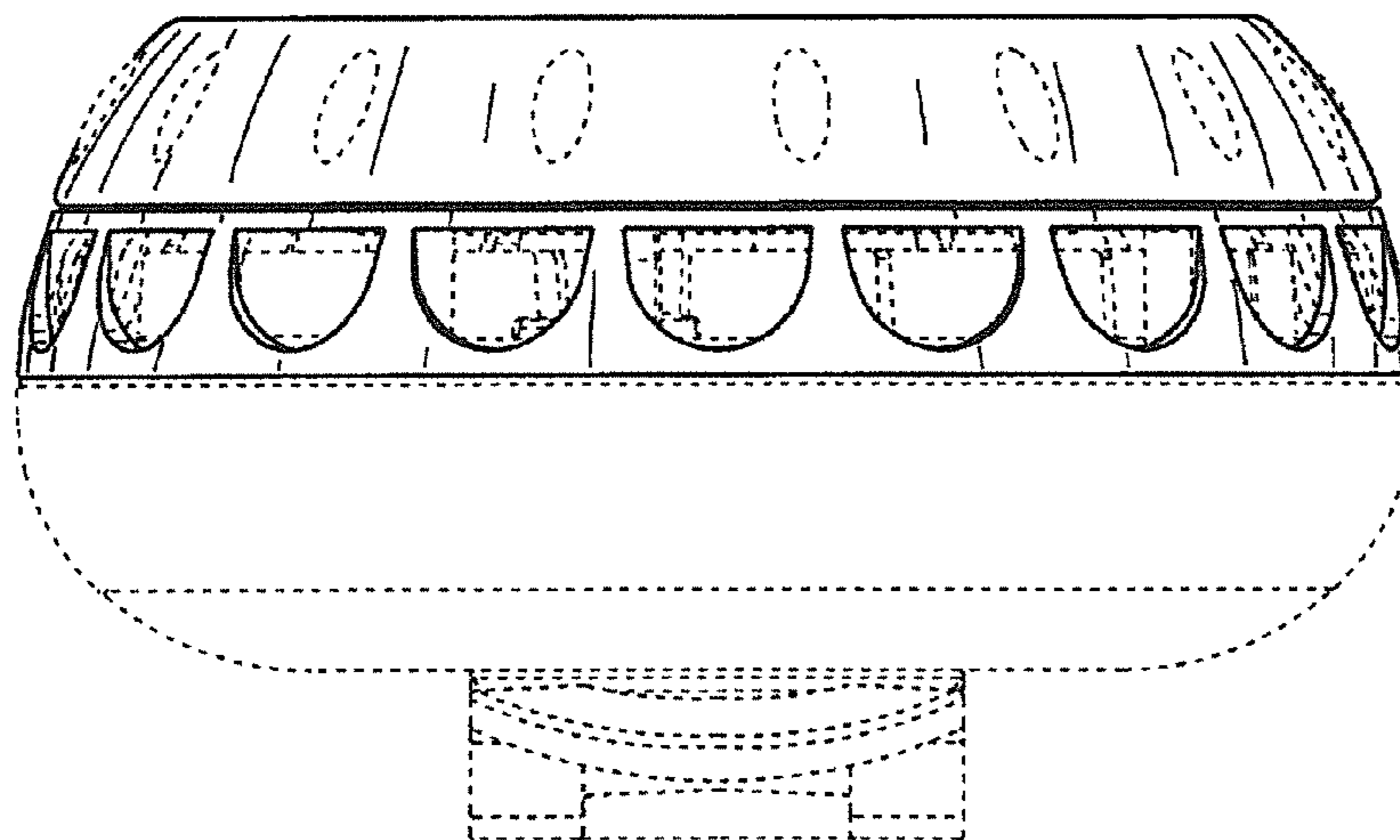


FIG. 6

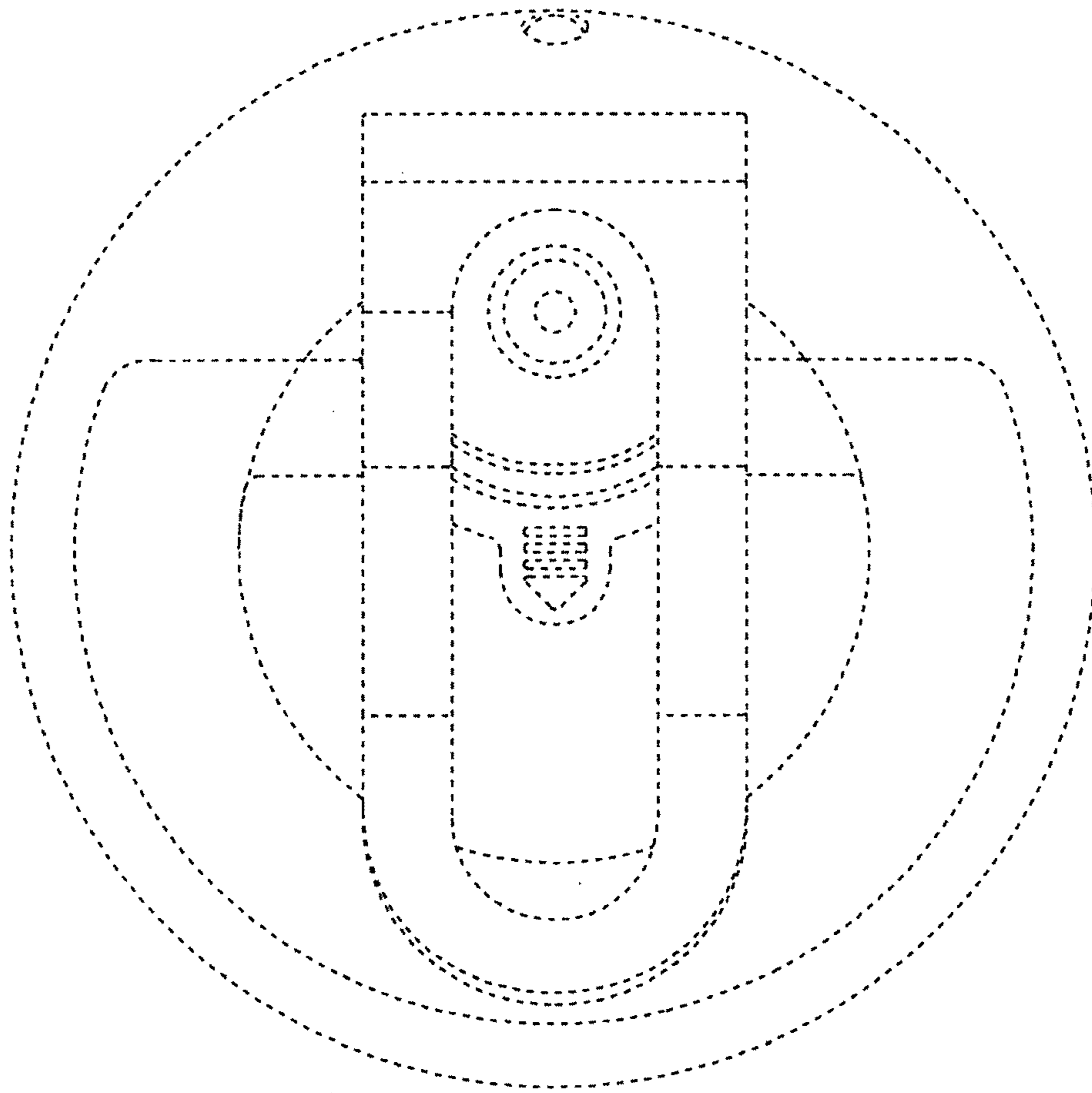


FIG. 7