



US00D732649S

(12) **United States Design Patent**
Choi

(10) **Patent No.:** **US D732,649 S**
(45) **Date of Patent:** **** Jun. 23, 2015**

(54) **AIR PURIFIER**

(71) Applicant: **Coway Co., LTD.**, Gongju-si,
Choongcheongnam-do (KR)

(72) Inventor: **Hun Jung Choi**, Goyang-si (KR)

(73) Assignee: **WOONGJIN COWAY CO., LTD.**,
Gongju-Si, Choongcheongnam-Do (KR)

(**) Term: **14 Years**

(21) Appl. No.: **29/440,183**

(22) Filed: **Dec. 19, 2012**

(30) **Foreign Application Priority Data**

Jun. 19, 2012 (KR) 30-2012-0029812

(51) **LOC (10) Cl.** **23-04**

(52) **U.S. Cl.**
USPC **D23/364**

(58) **Field of Classification Search**
USPC D23/355, 359, 360, 364, 365, 386, 392,
D23/393, 401; D6/663, 667, 675; D5/1-3
See application file for complete search history.

(56) **References Cited**

U.S. PATENT DOCUMENTS

D512,494 S * 12/2005 Haranaka D23/355
D513,070 S * 12/2005 Haranaka D23/355

D523,414 S * 6/2006 Kobayashi D14/188
D539,883 S * 4/2007 Lee et al. D23/351
D557,394 S * 12/2007 Martin et al. D23/355
D581,506 S * 11/2008 Kelnhofer D23/360
D583,450 S * 12/2008 Choi D23/364
D625,398 S * 10/2010 Choi D23/364
D656,230 S * 3/2012 Robinson et al. D23/363
D664,636 S * 7/2012 Robinson et al. D23/360
D700,959 S * 3/2014 Sickinger et al. D23/355
D705,918 S * 5/2014 Robinson et al. D23/360
2009/0293888 A1* 12/2009 Williams et al. 131/178
2009/0293892 A1* 12/2009 Williams et al. 131/328

* cited by examiner

Primary Examiner — Sandra Snapp

(74) *Attorney, Agent, or Firm* — McDermott Will & Emery
LLP

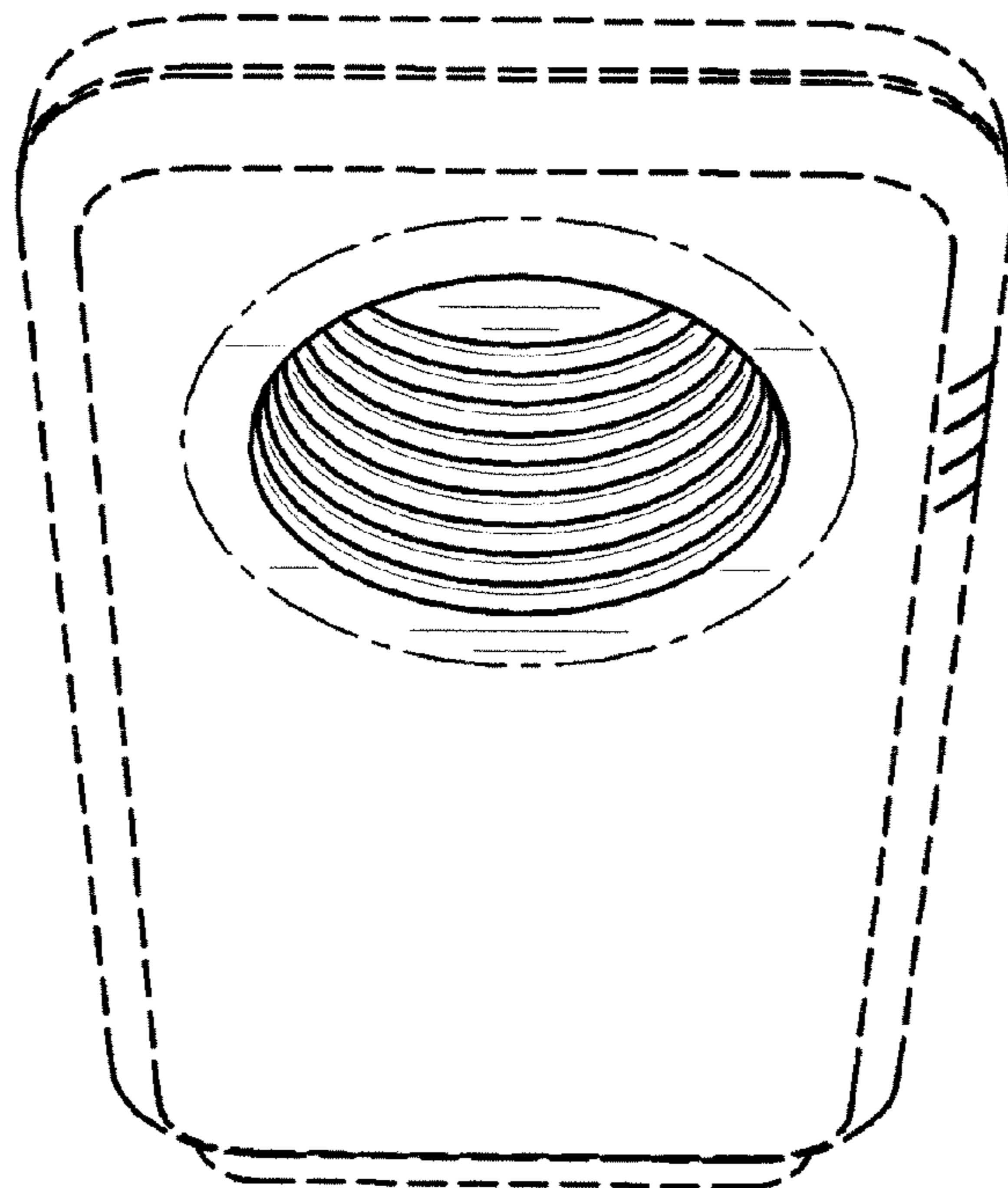
(57) **CLAIM**

The ornamental design for an air purifier, as shown and
described.

DESCRIPTION

FIGS. 1-7 are top, front perspective views of an air purifier as
an inner circular element changes shape;
FIGS. 8-14 are bottom, left perspective views of FIGS. 1-7;
FIGS. 15-21 are front elevation views of FIGS. 1-7;
FIGS. 22-28 are bottom, right perspective views of FIGS. 1-7;
and,
FIGS. 29-35 are bottom, front perspective views of FIGS. 1-7.

1 Claim, 35 Drawing Sheets



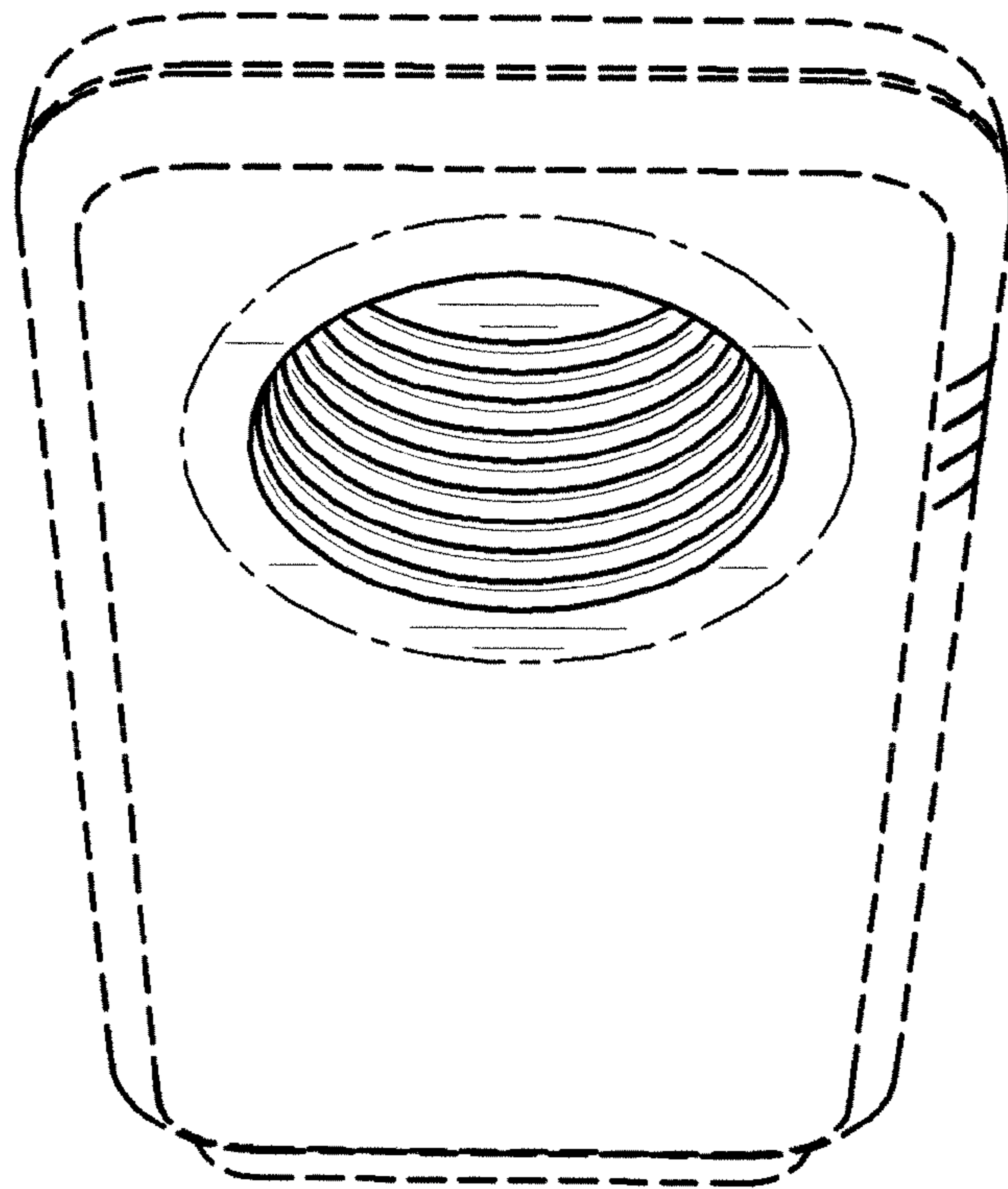


FIG. 1

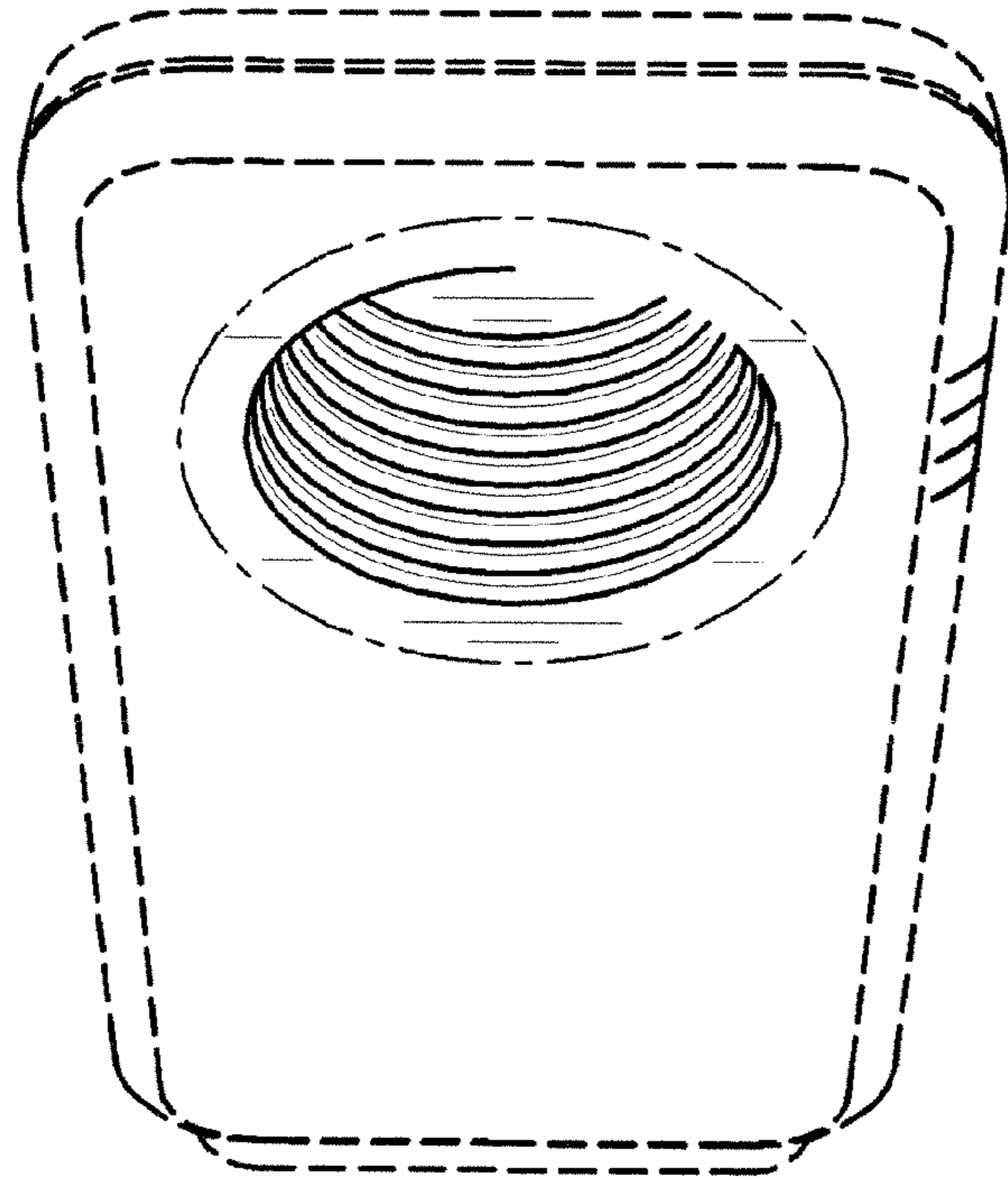


FIG. 2

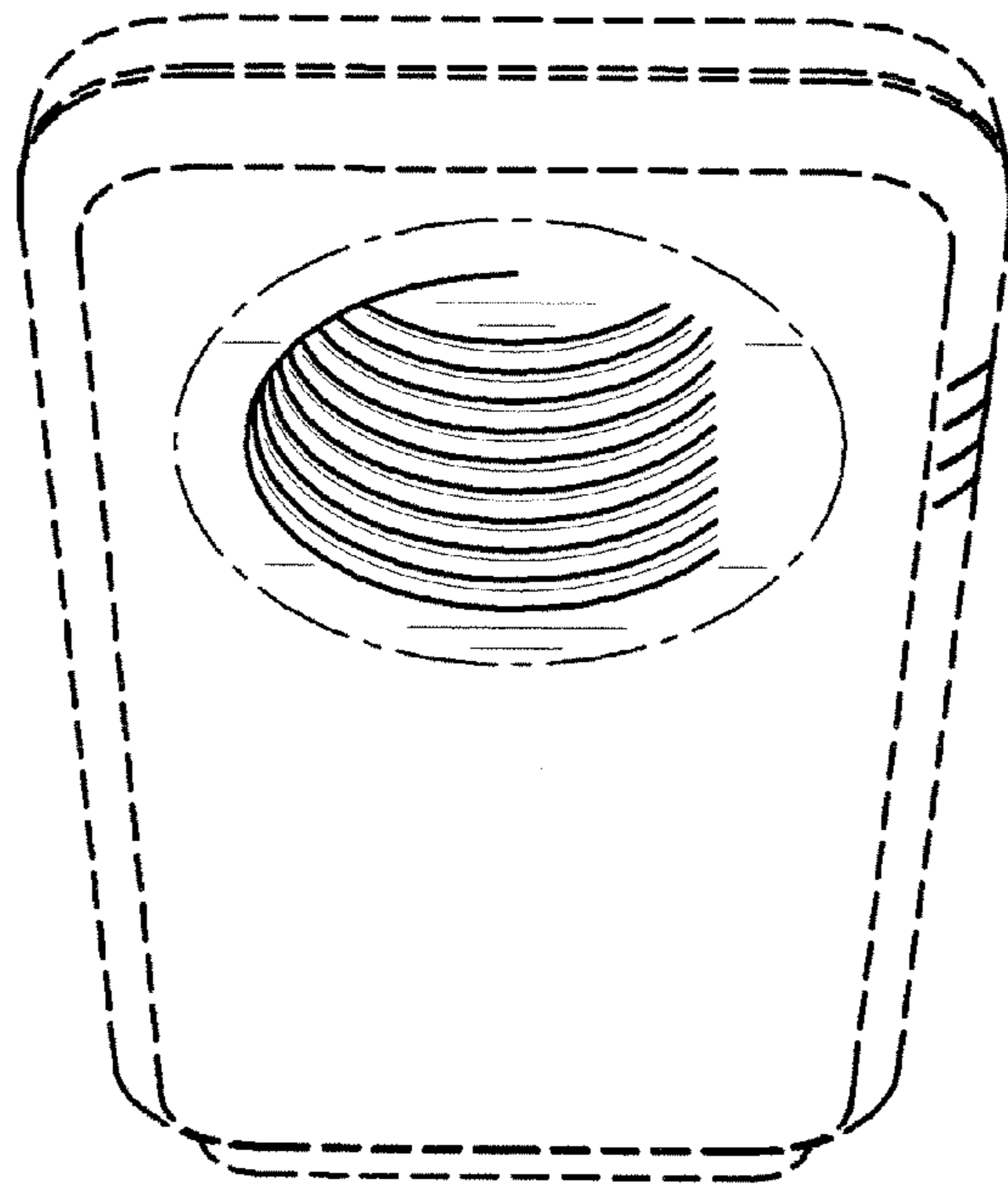


FIG. 3

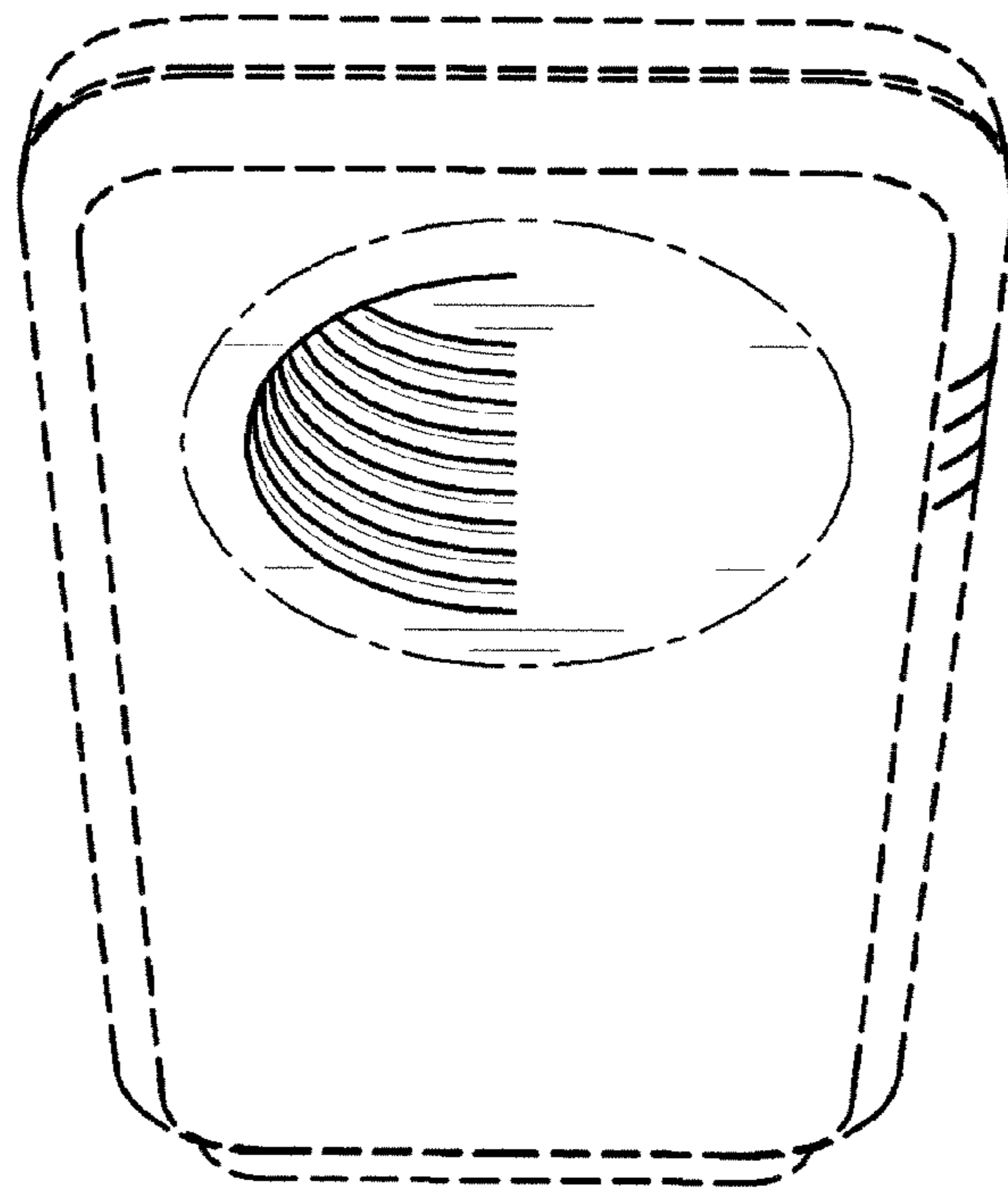


FIG. 4

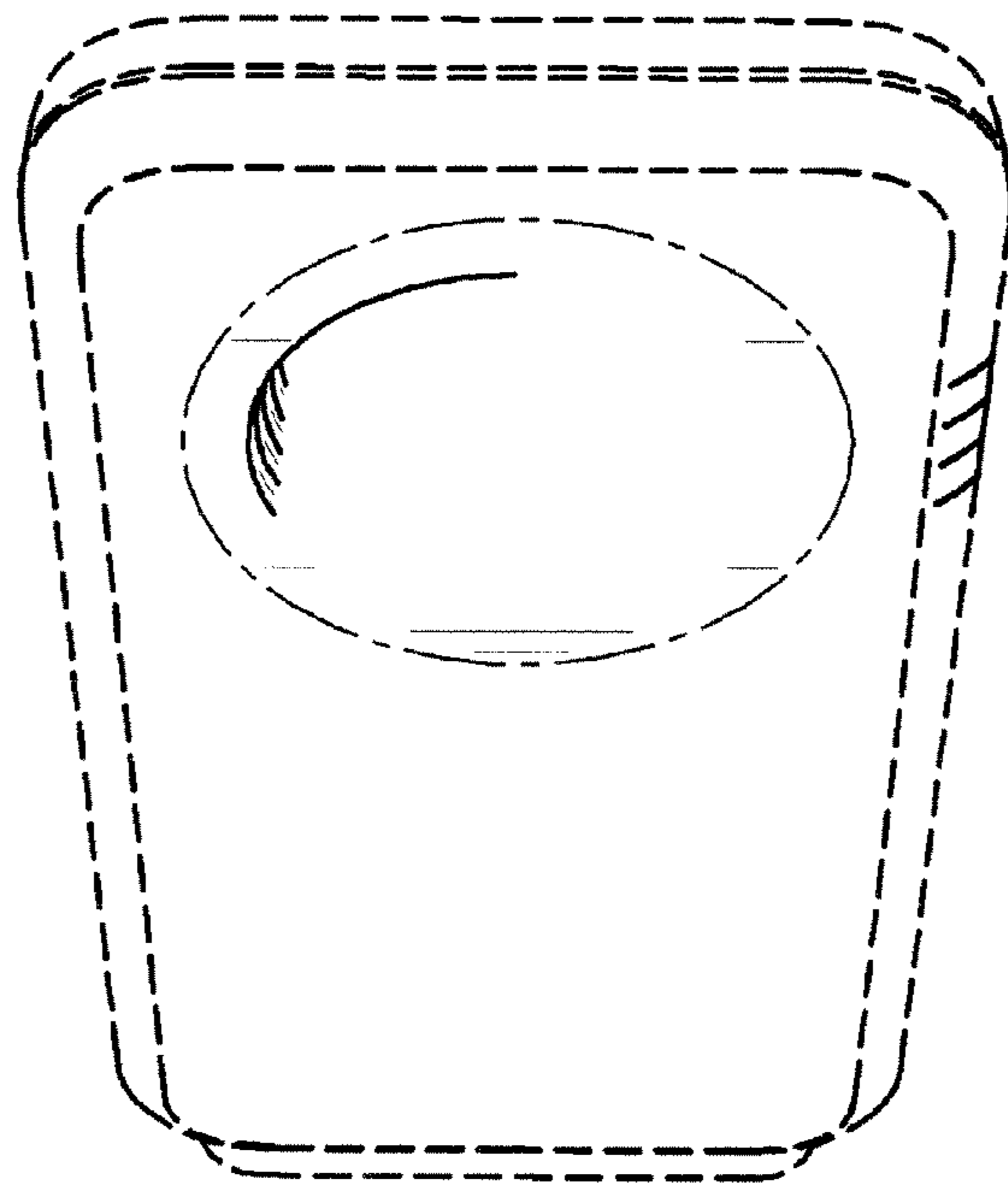


FIG. 5

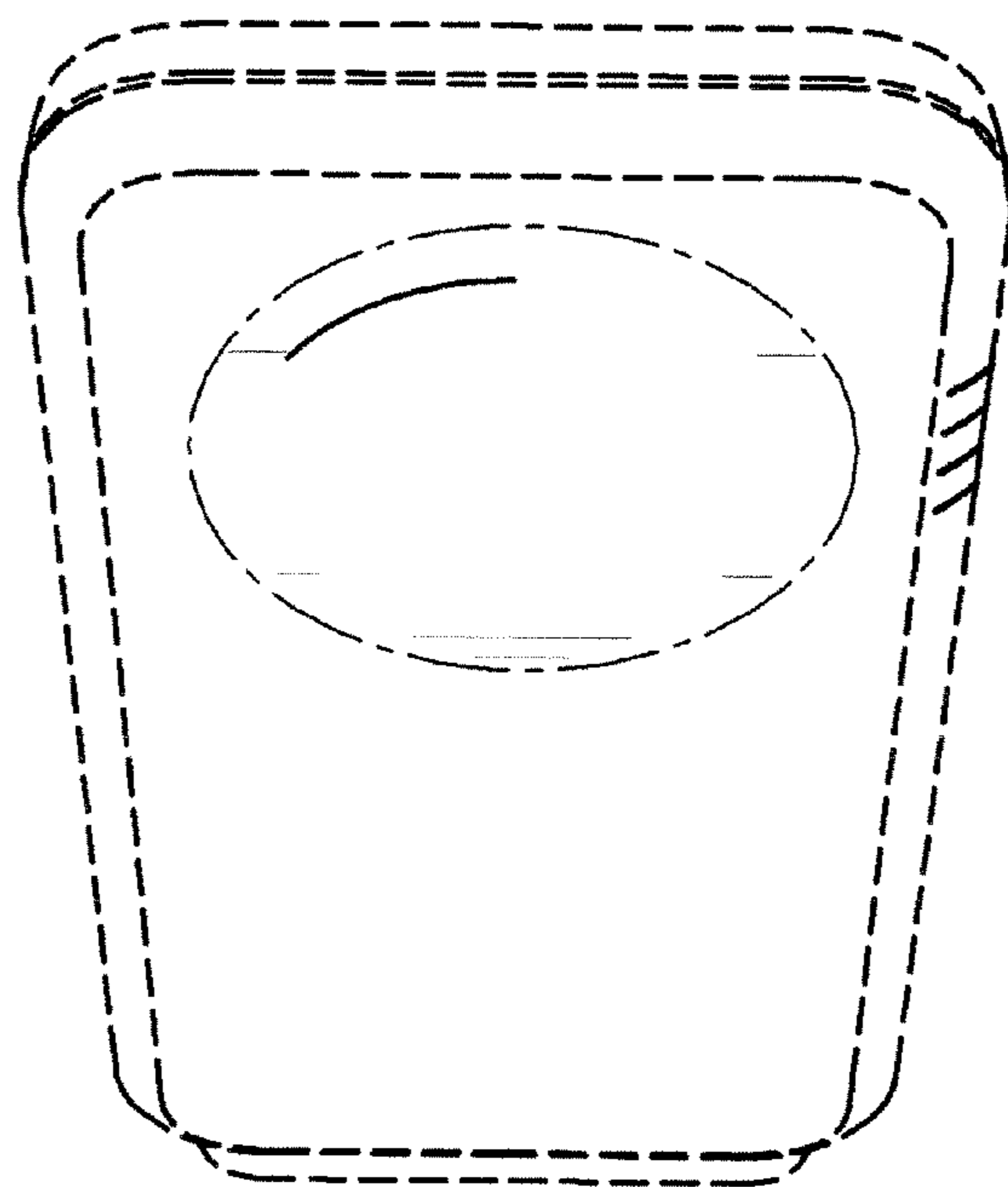


FIG. 6

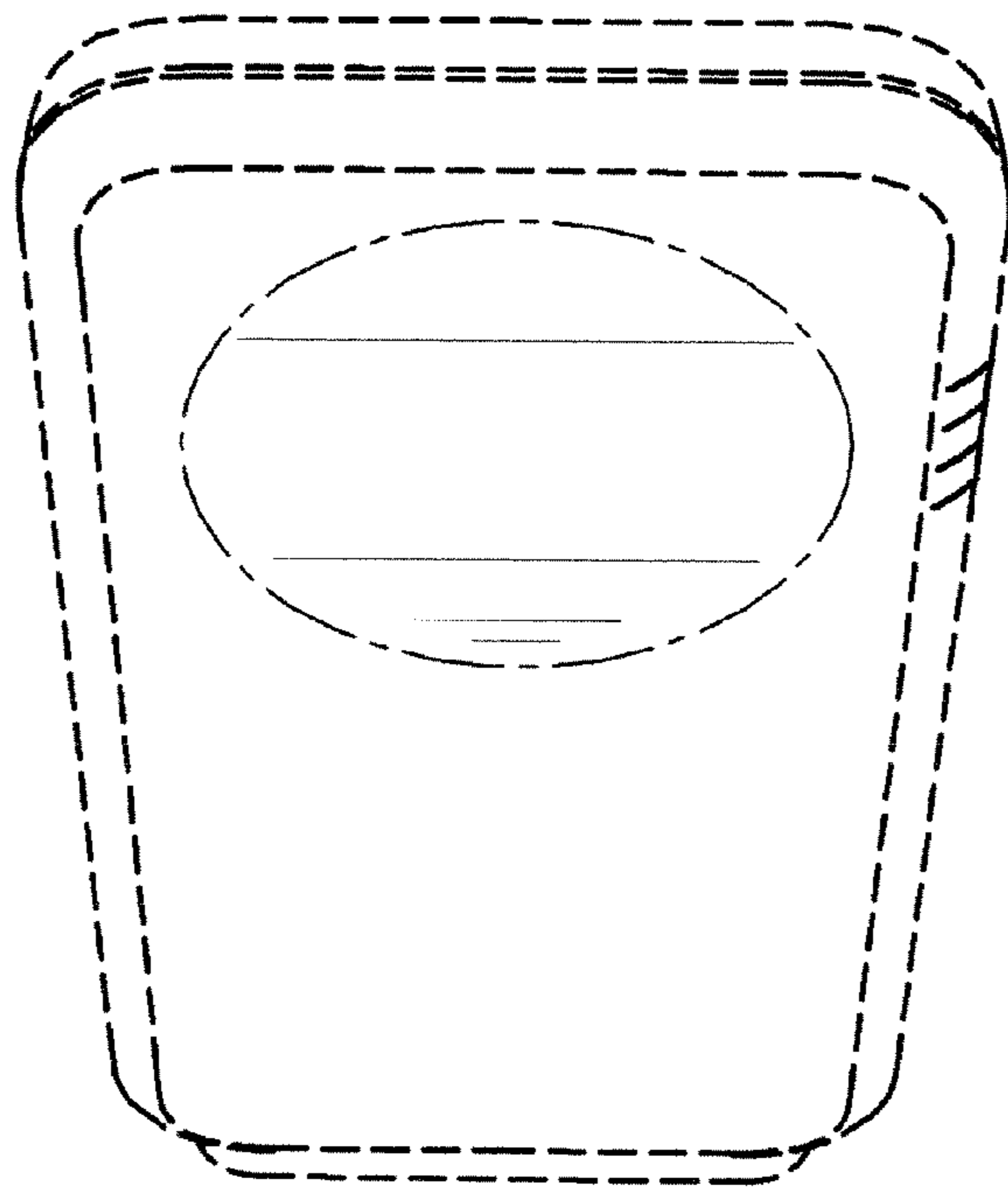


FIG. 7

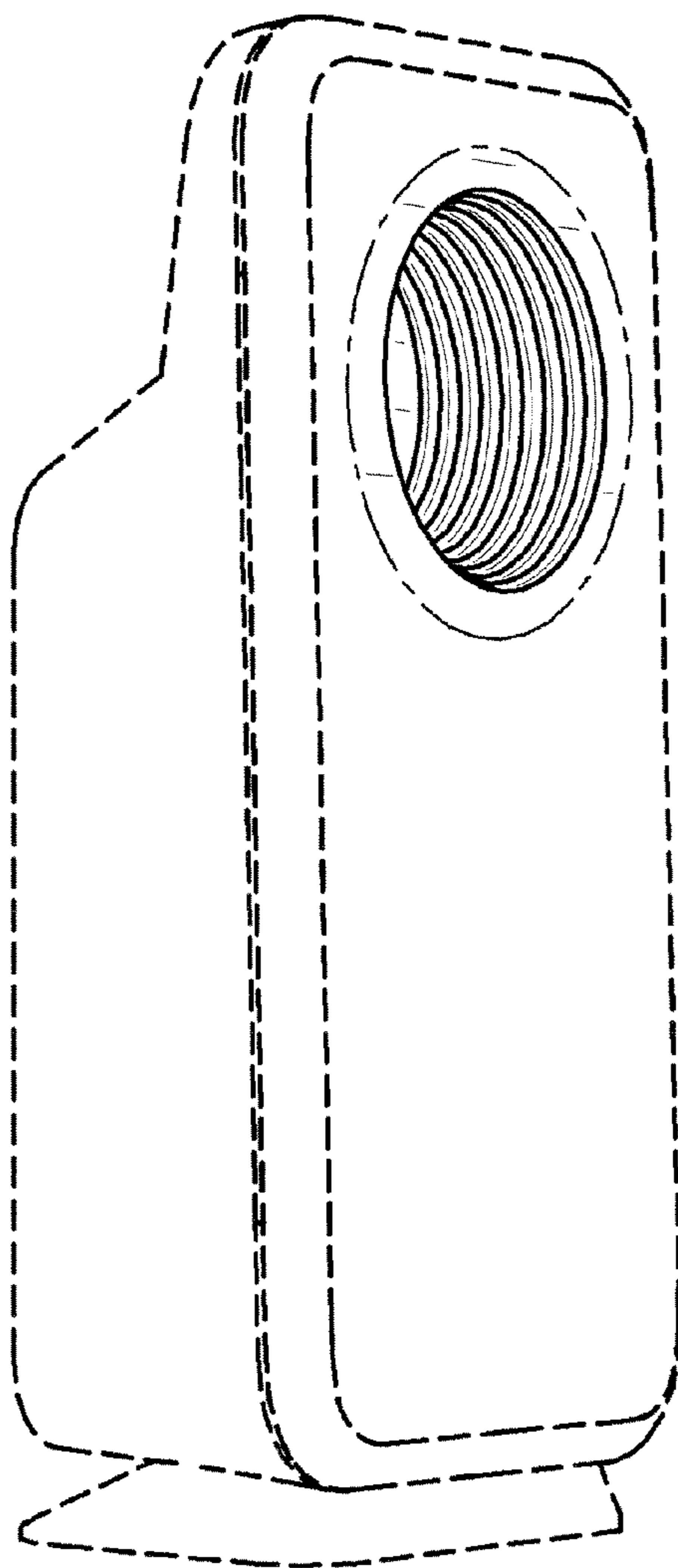


FIG. 8

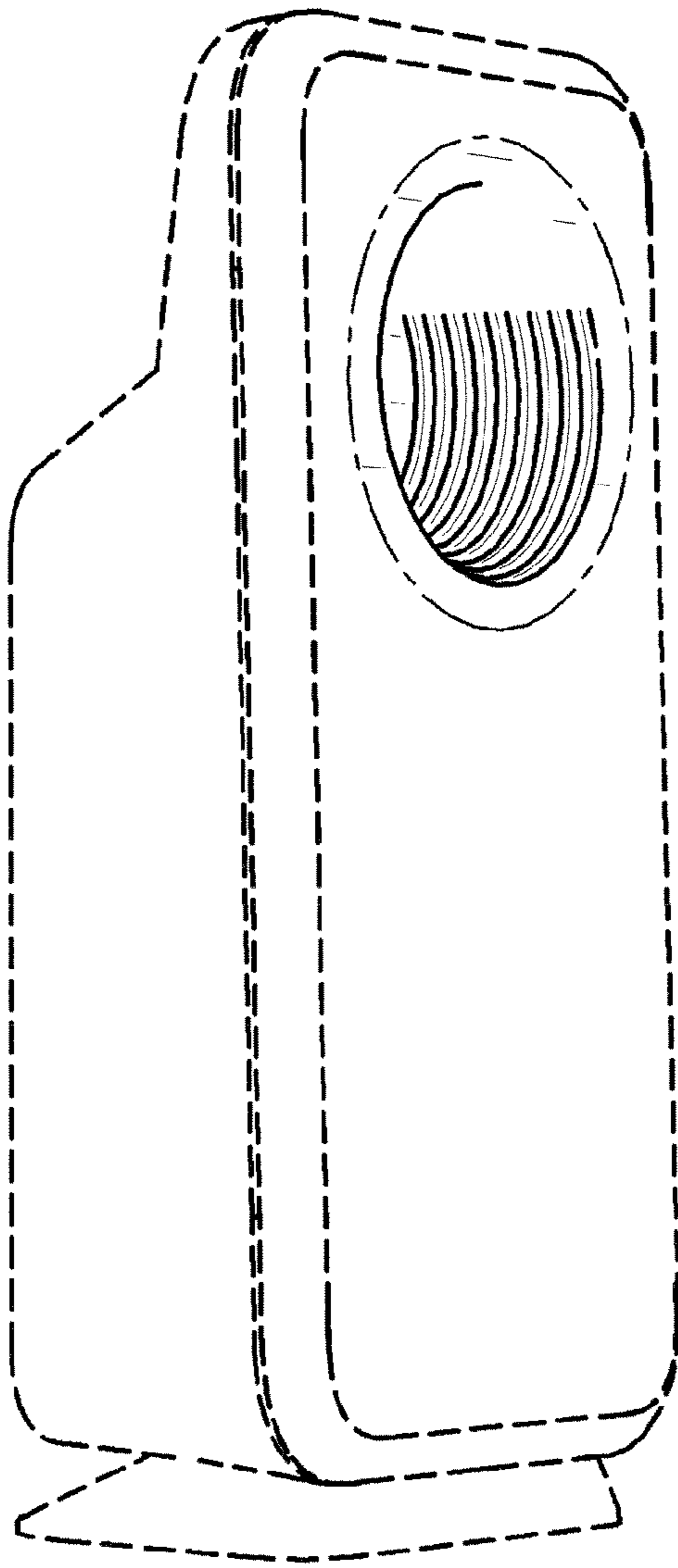


FIG. 9

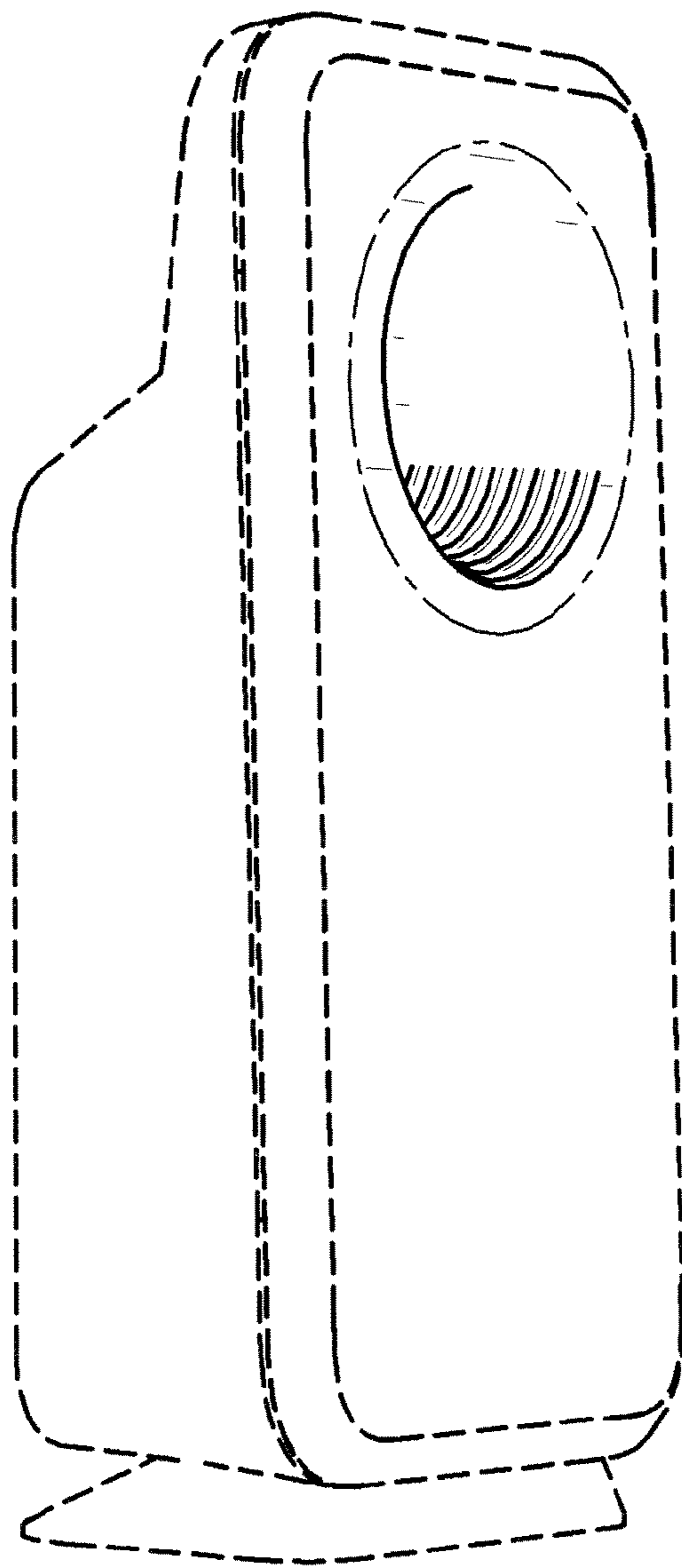


FIG. 10

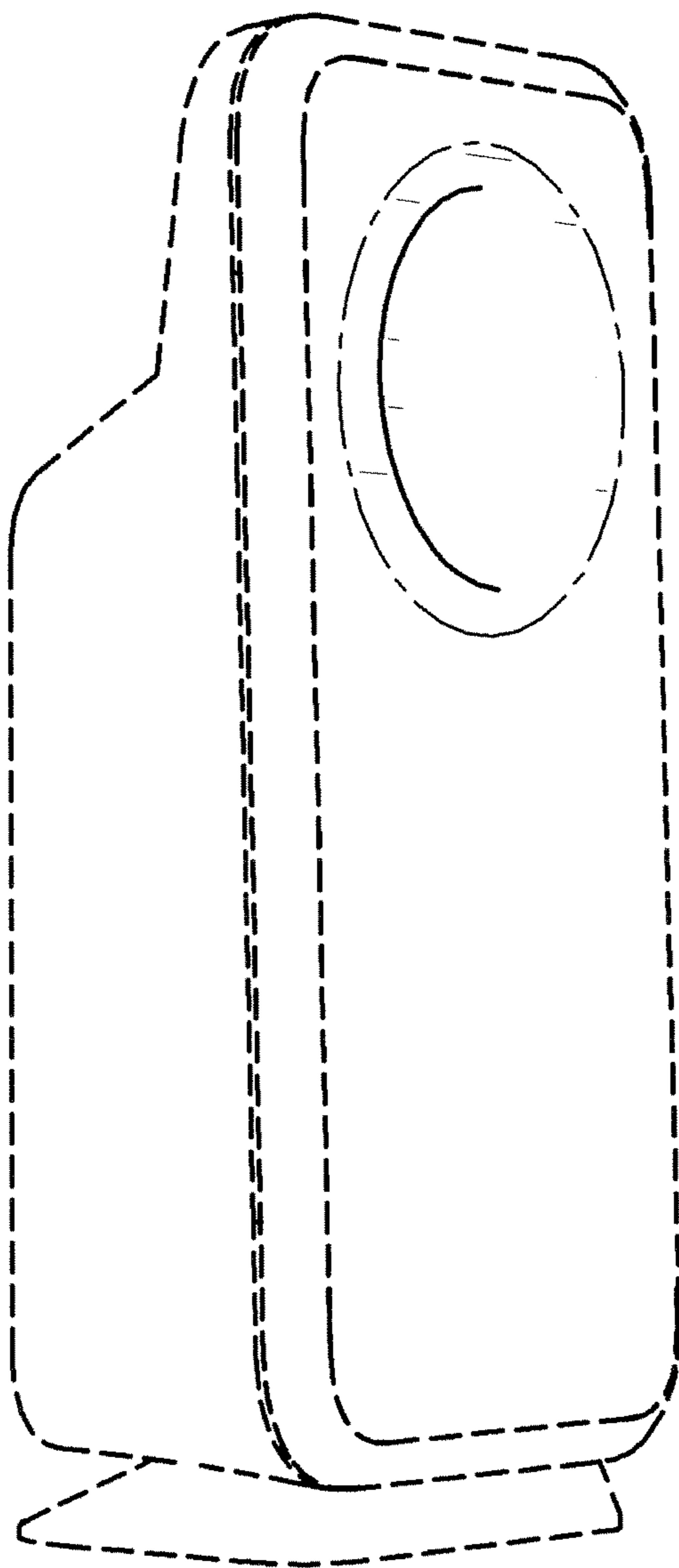


FIG. 11

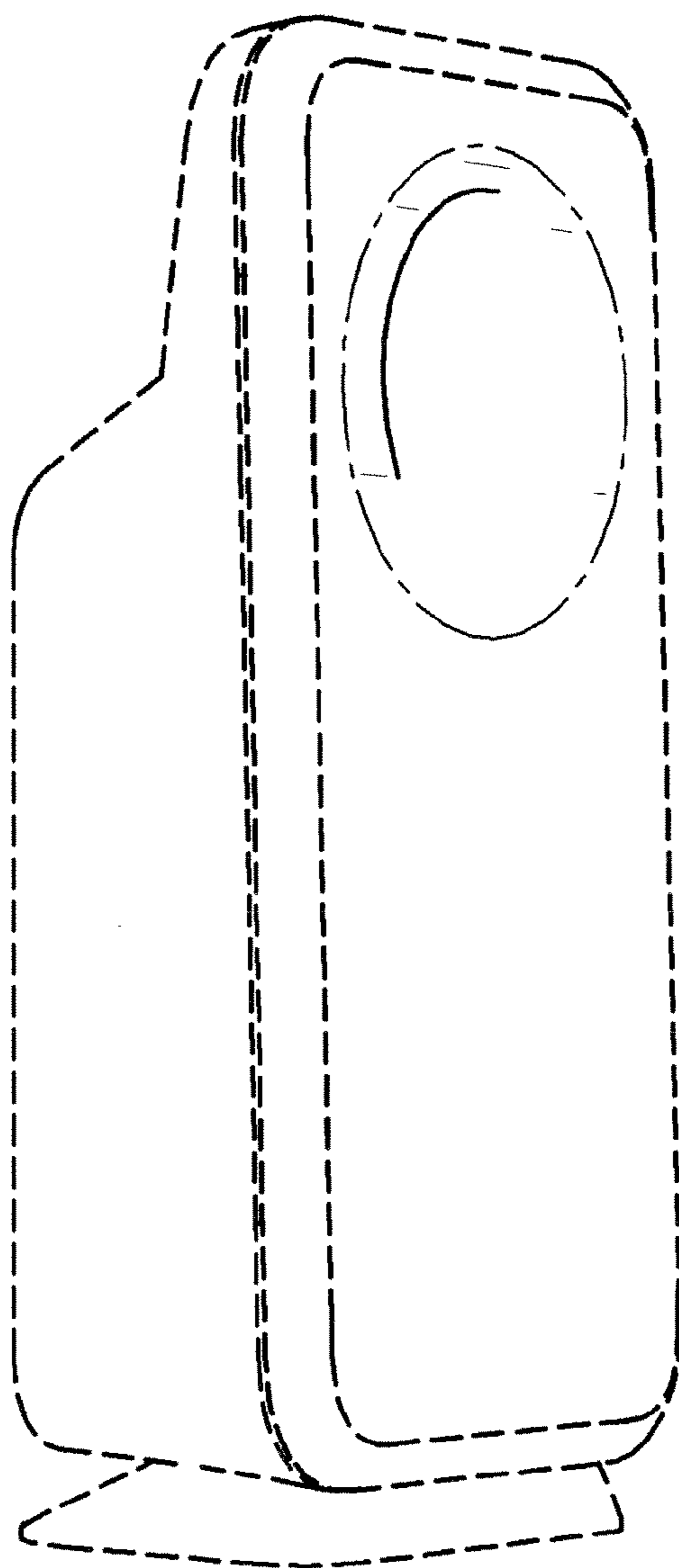


FIG. 12

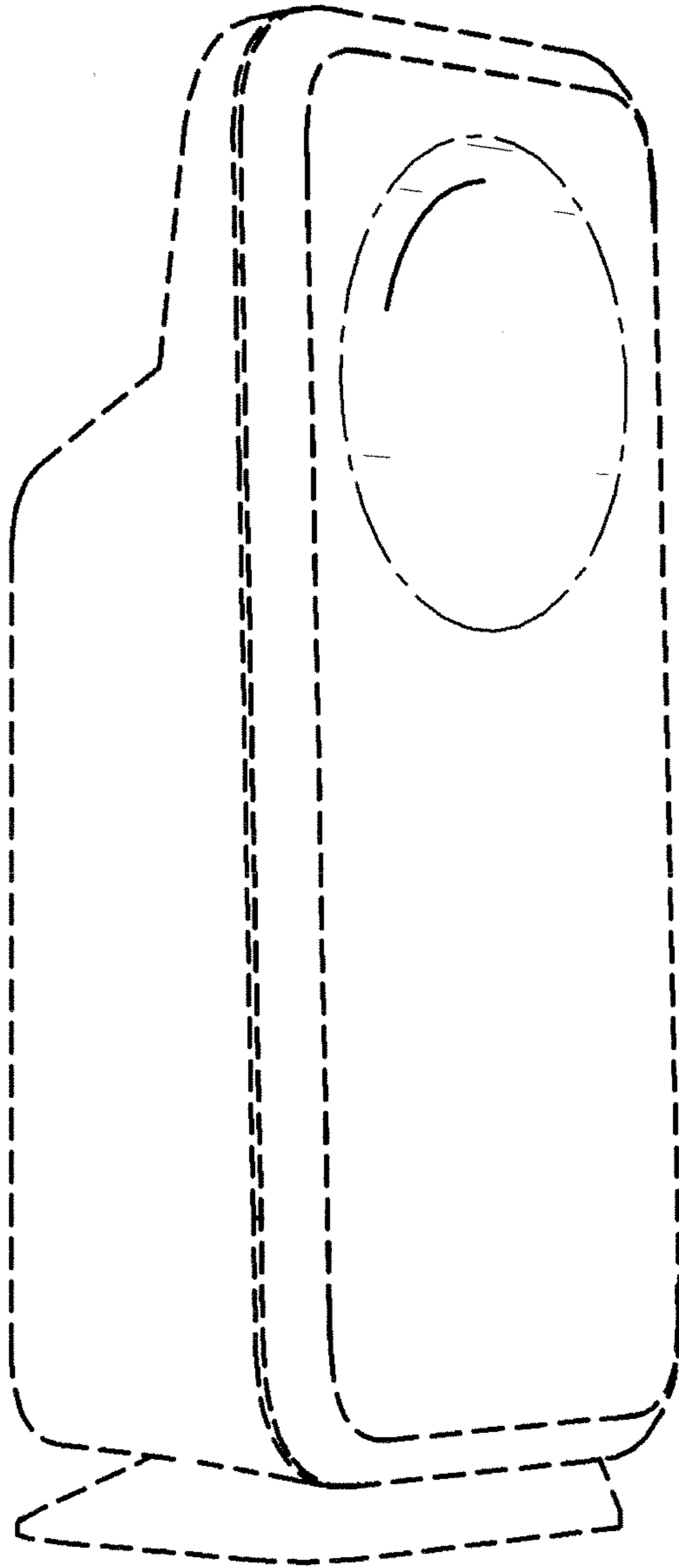


FIG. 13

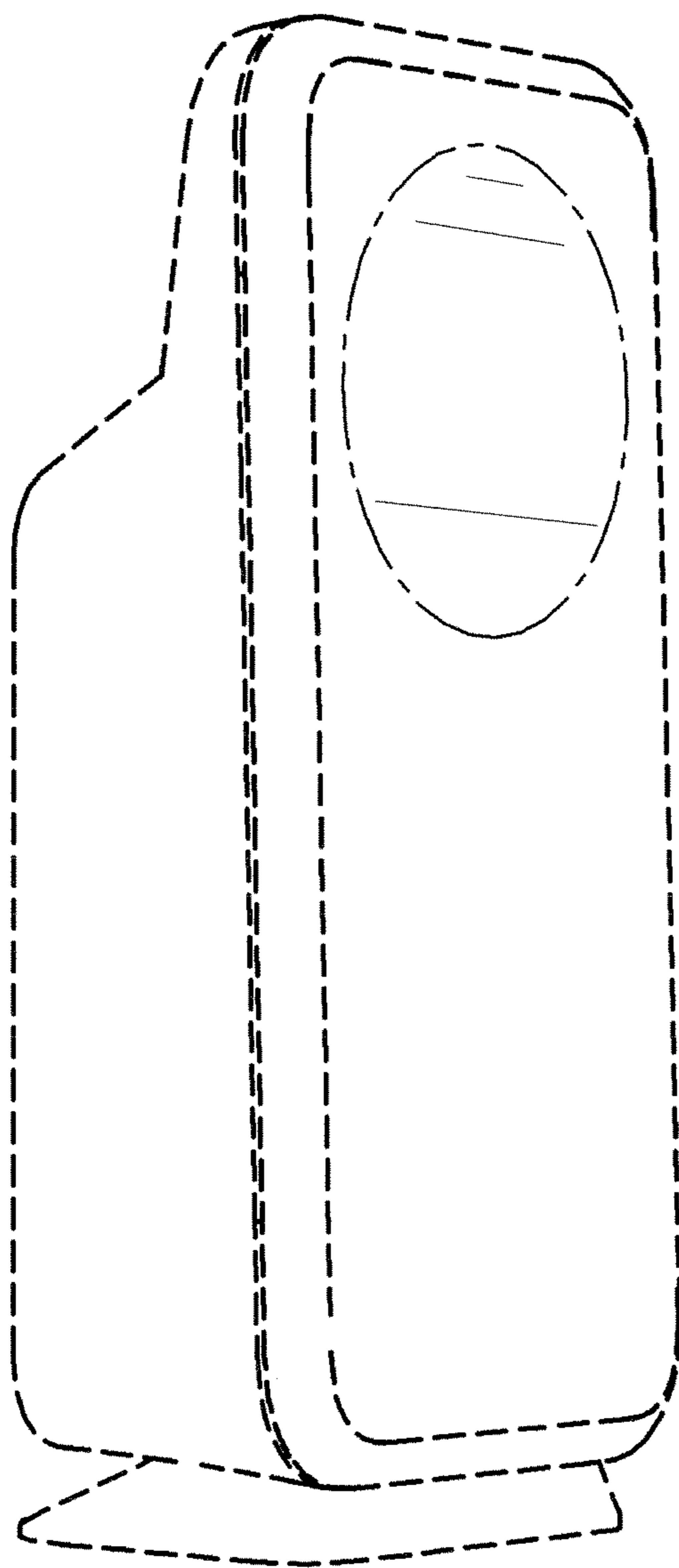


FIG. 14

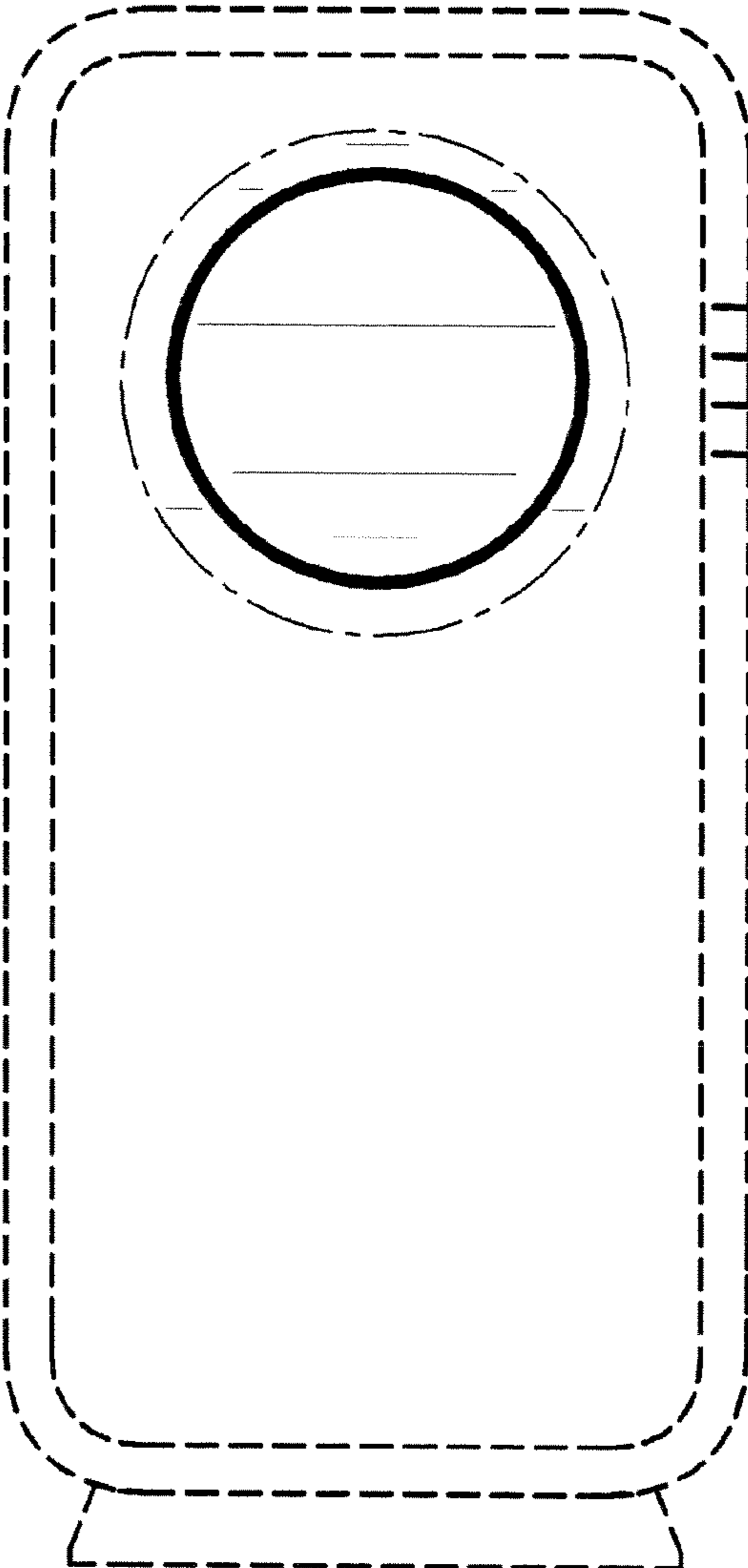


FIG. 15

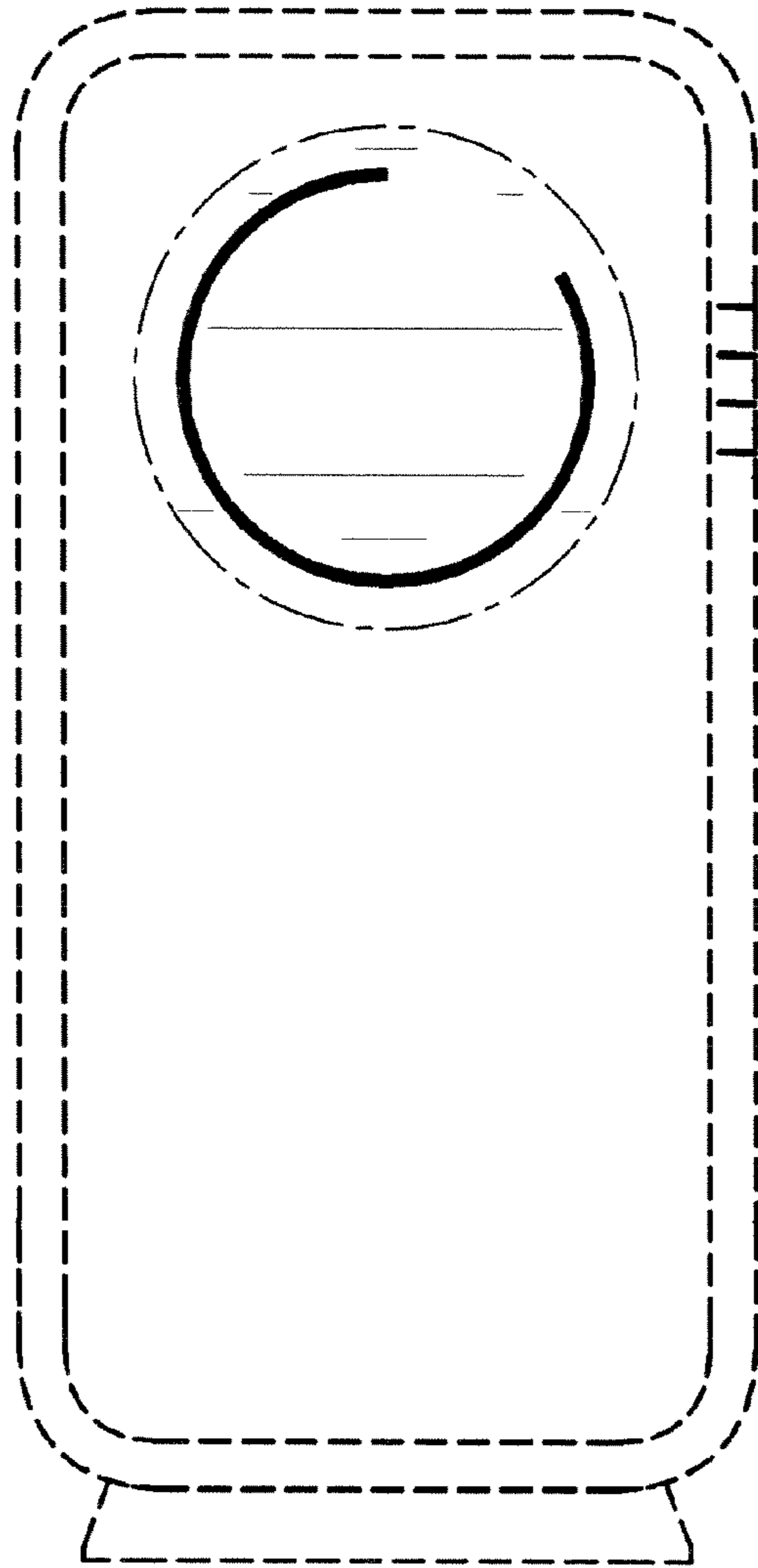


FIG. 16

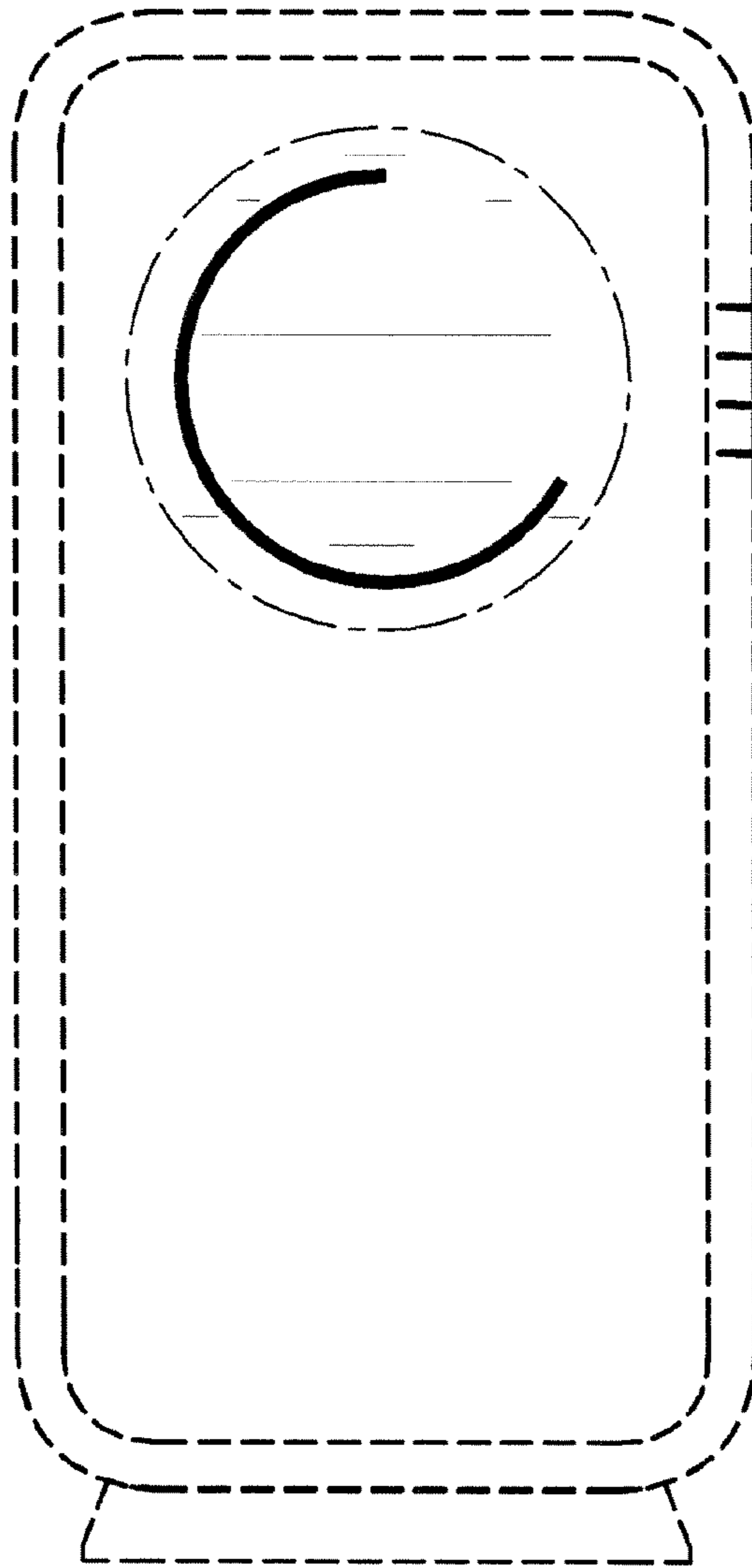


FIG. 17

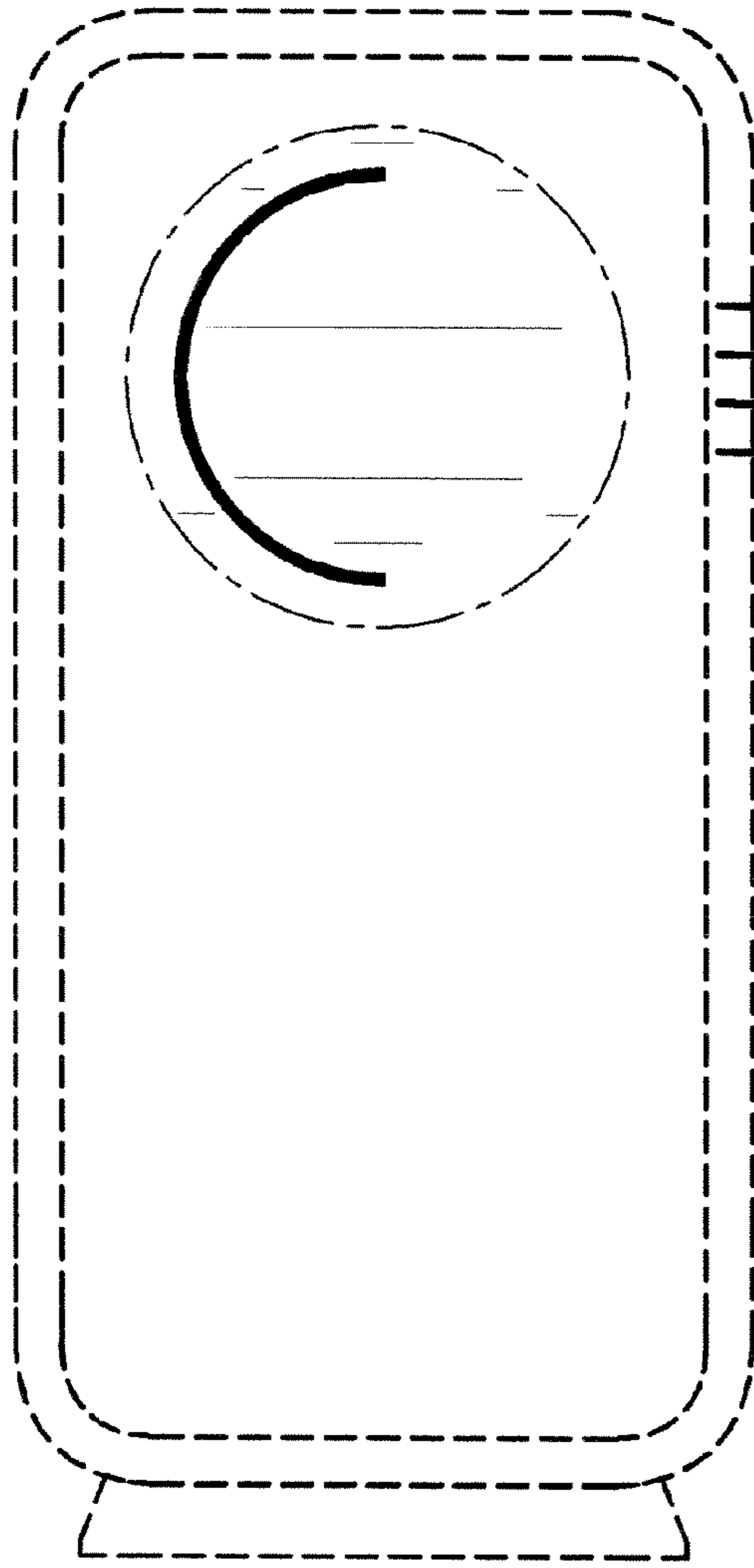


FIG. 18

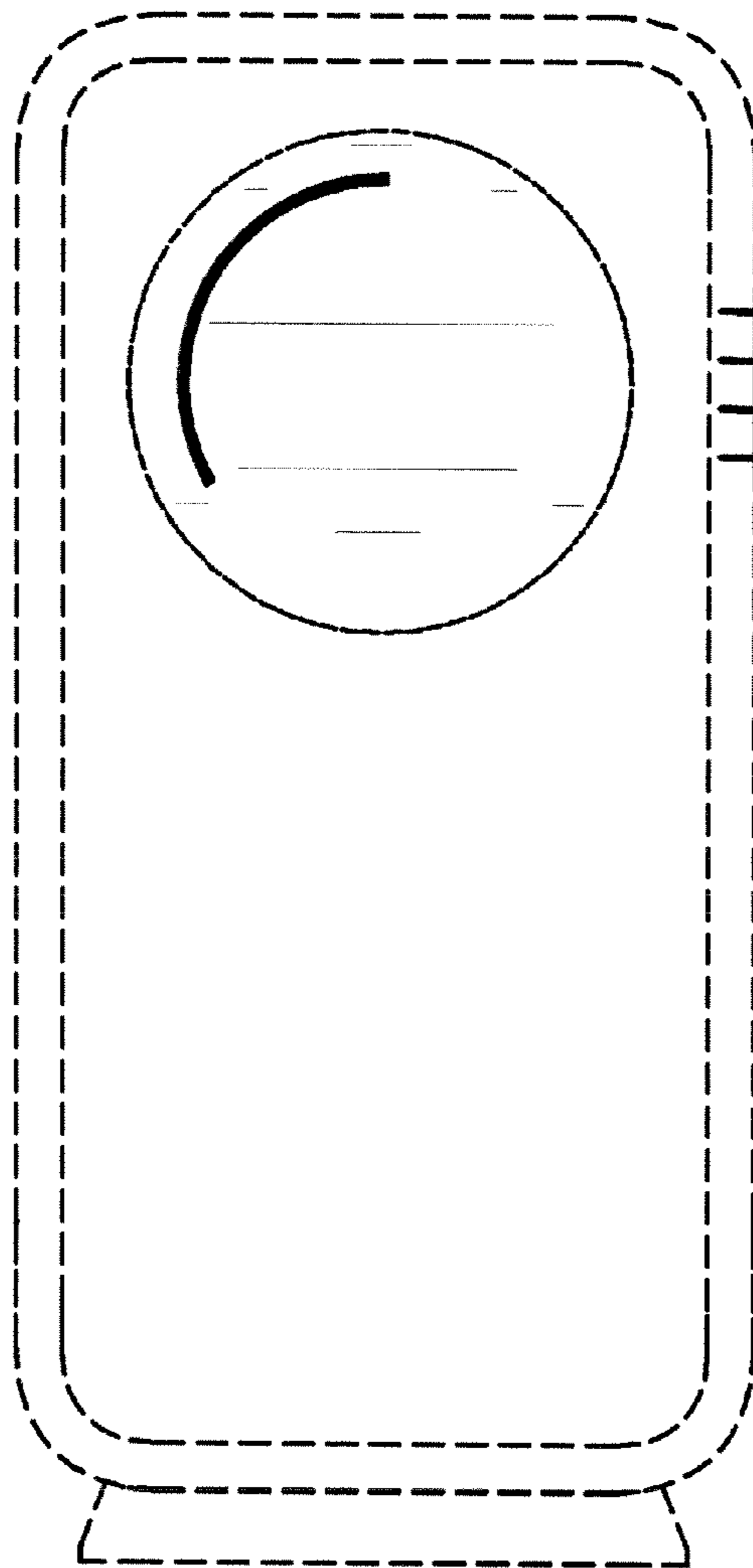


FIG. 19

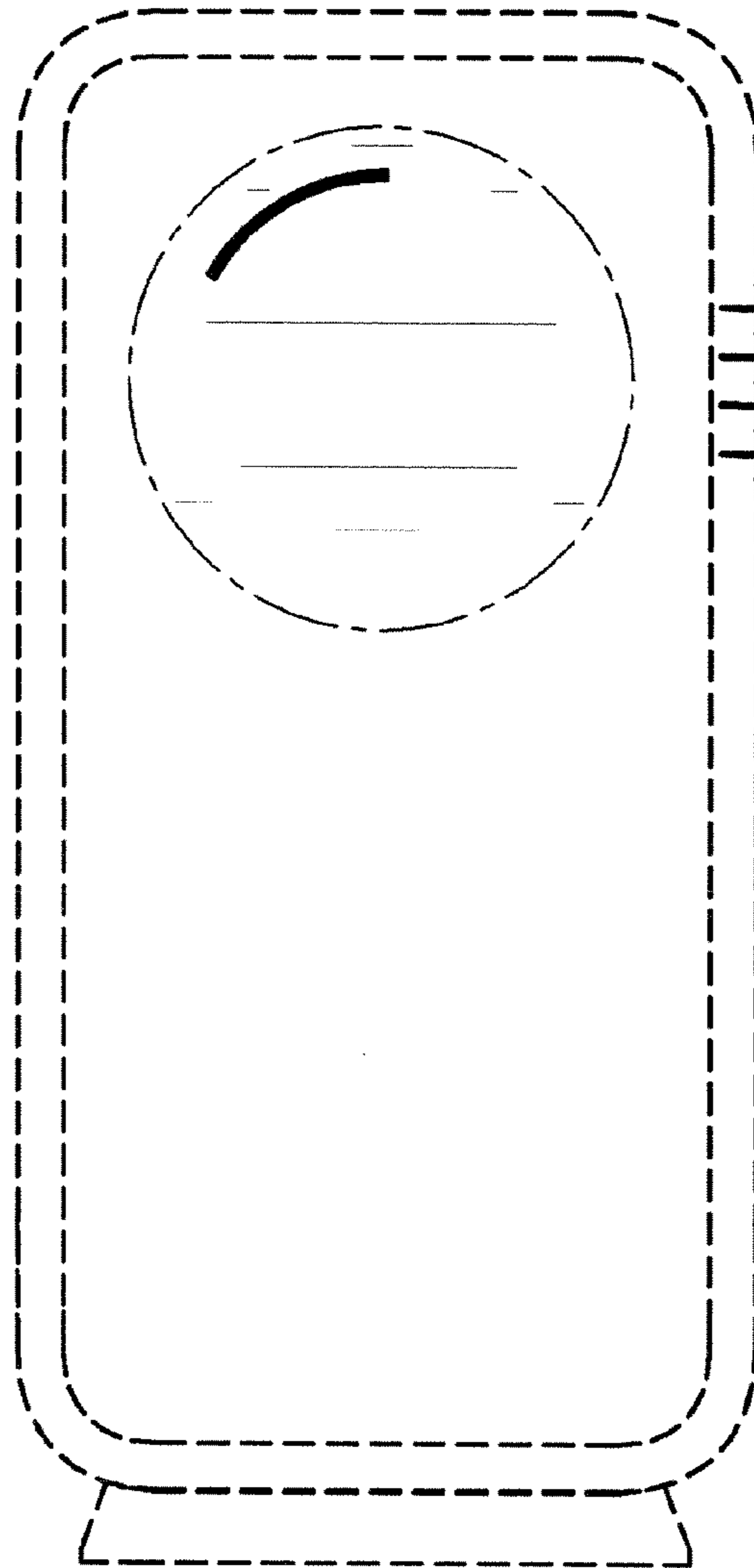


FIG. 20

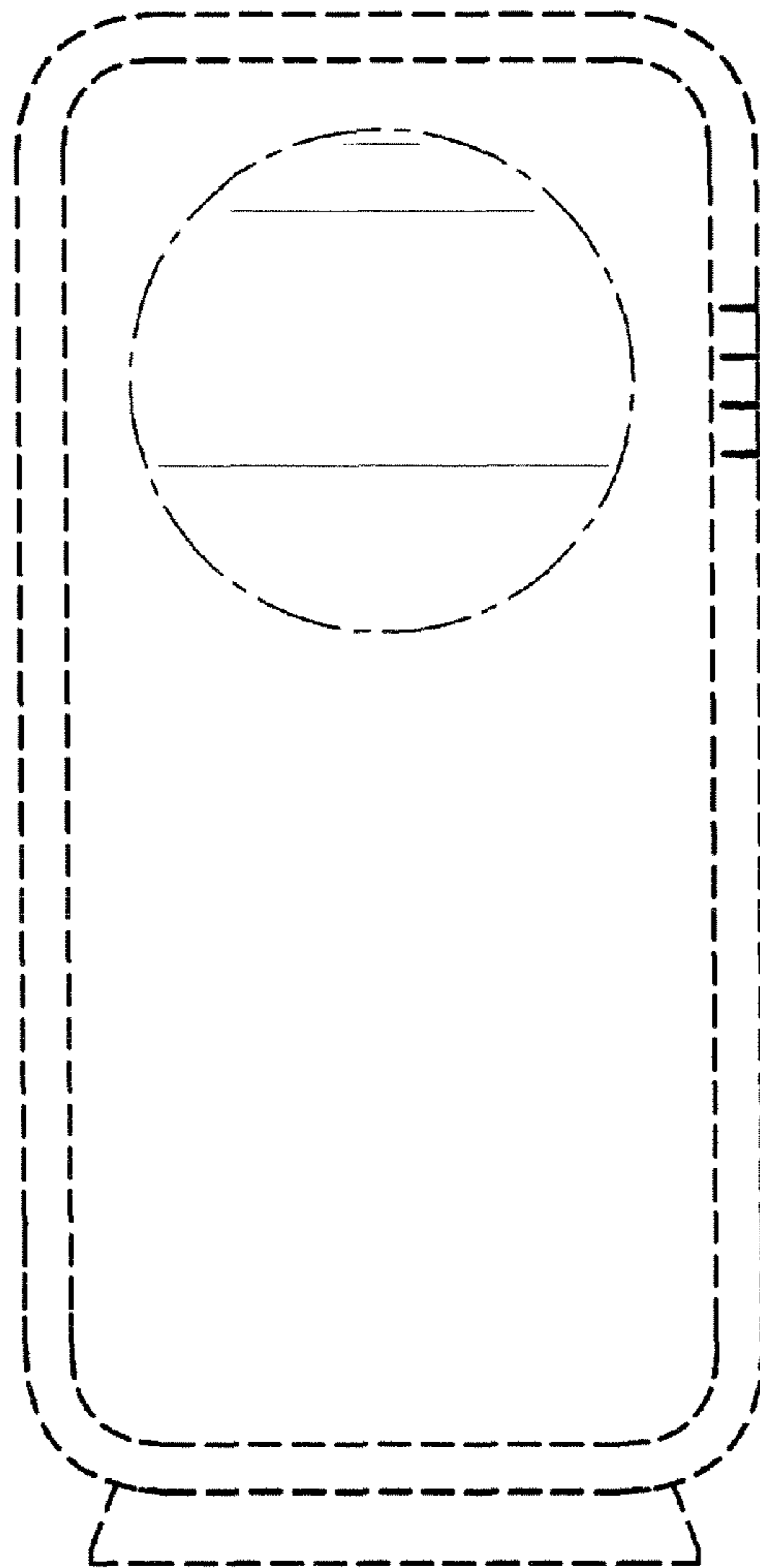


FIG. 21

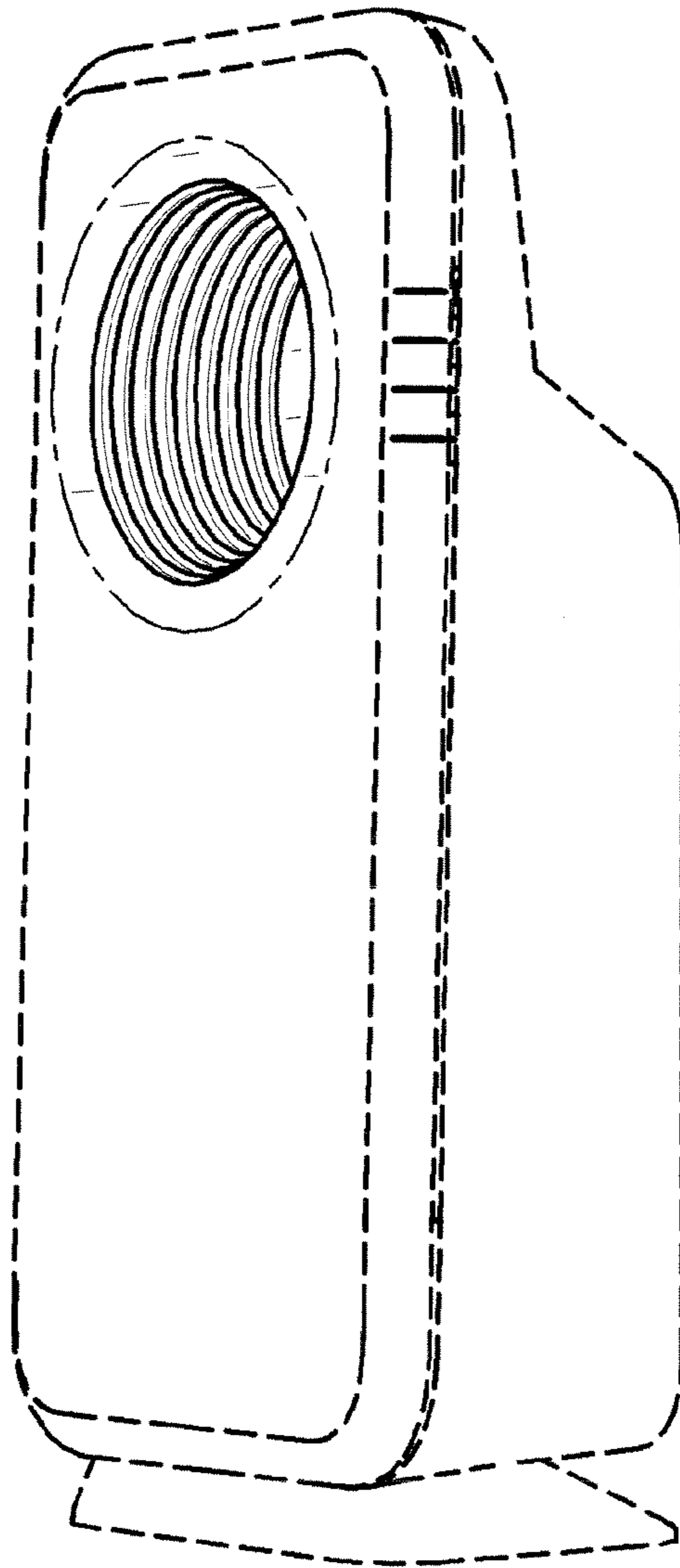


FIG. 22

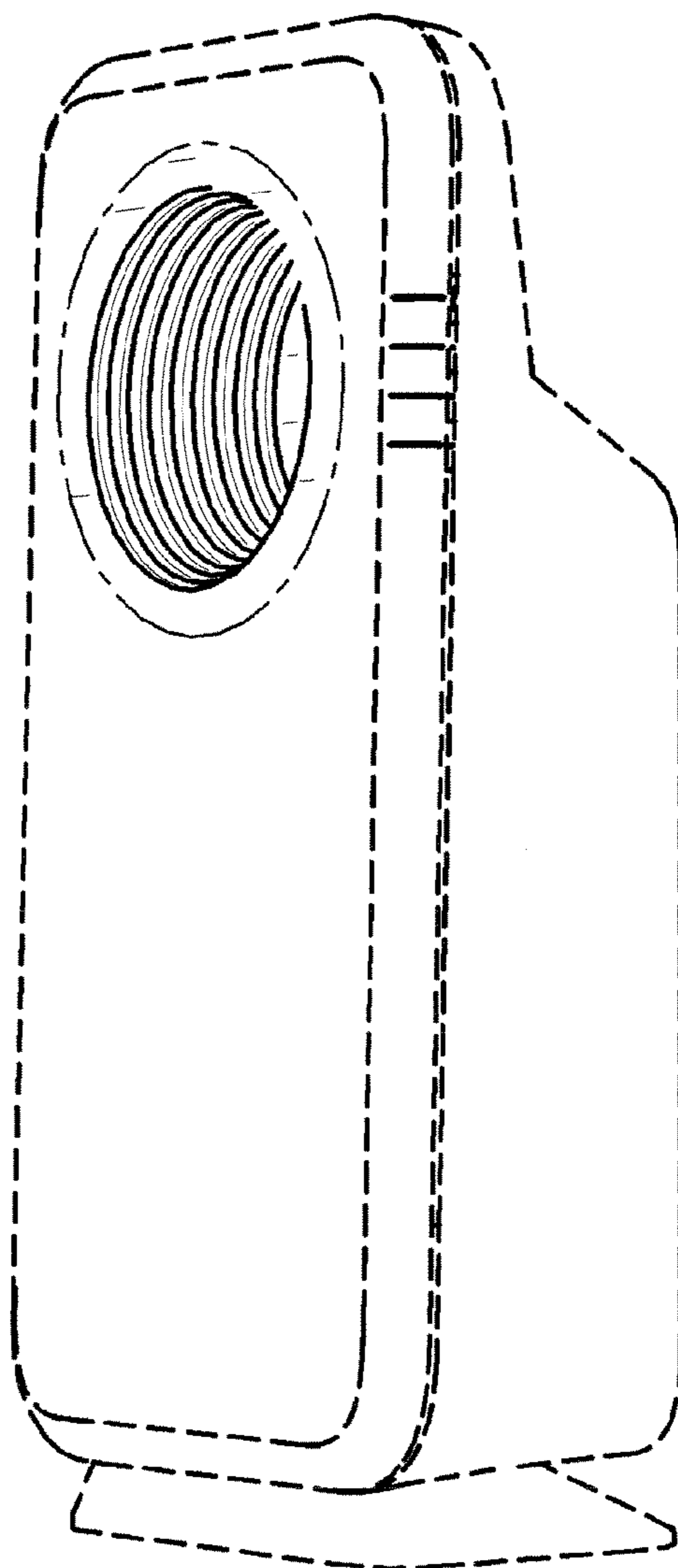


FIG. 23

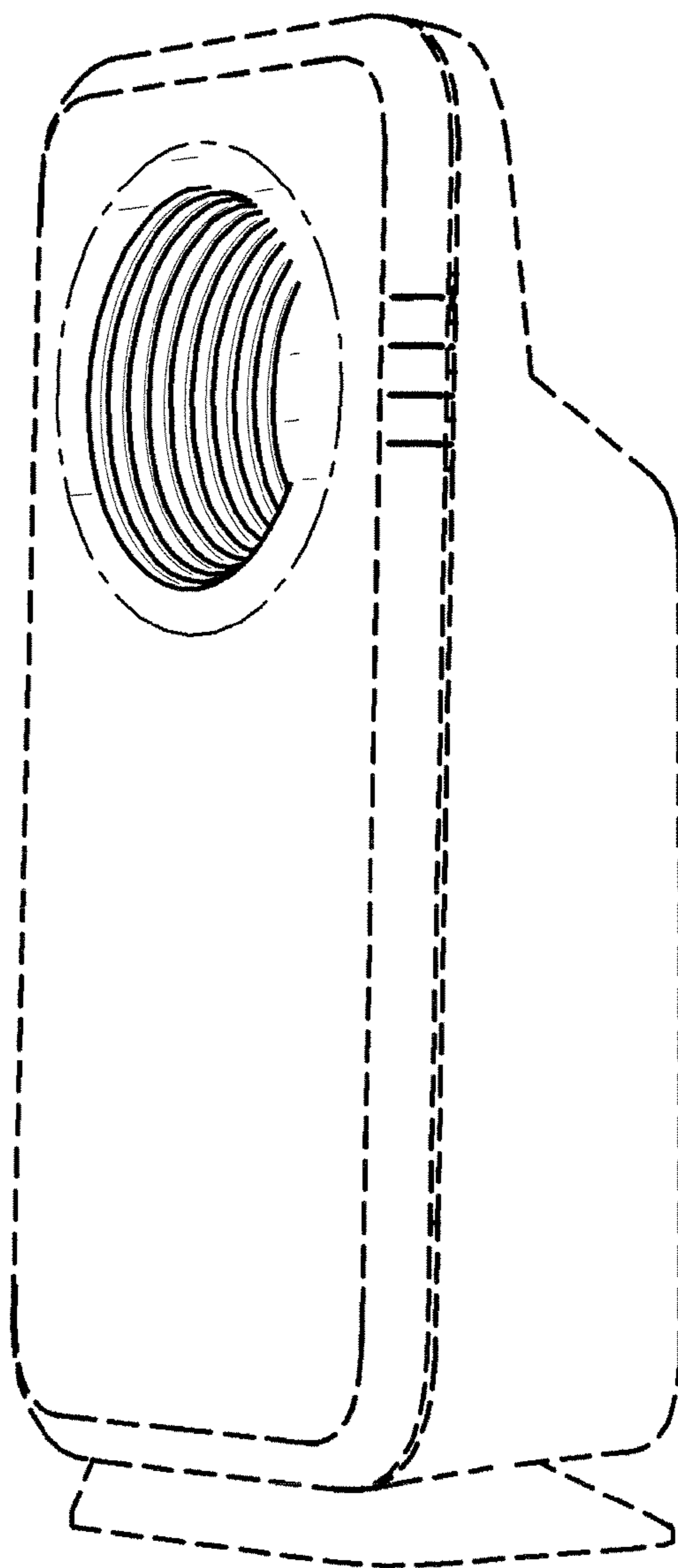


FIG. 24

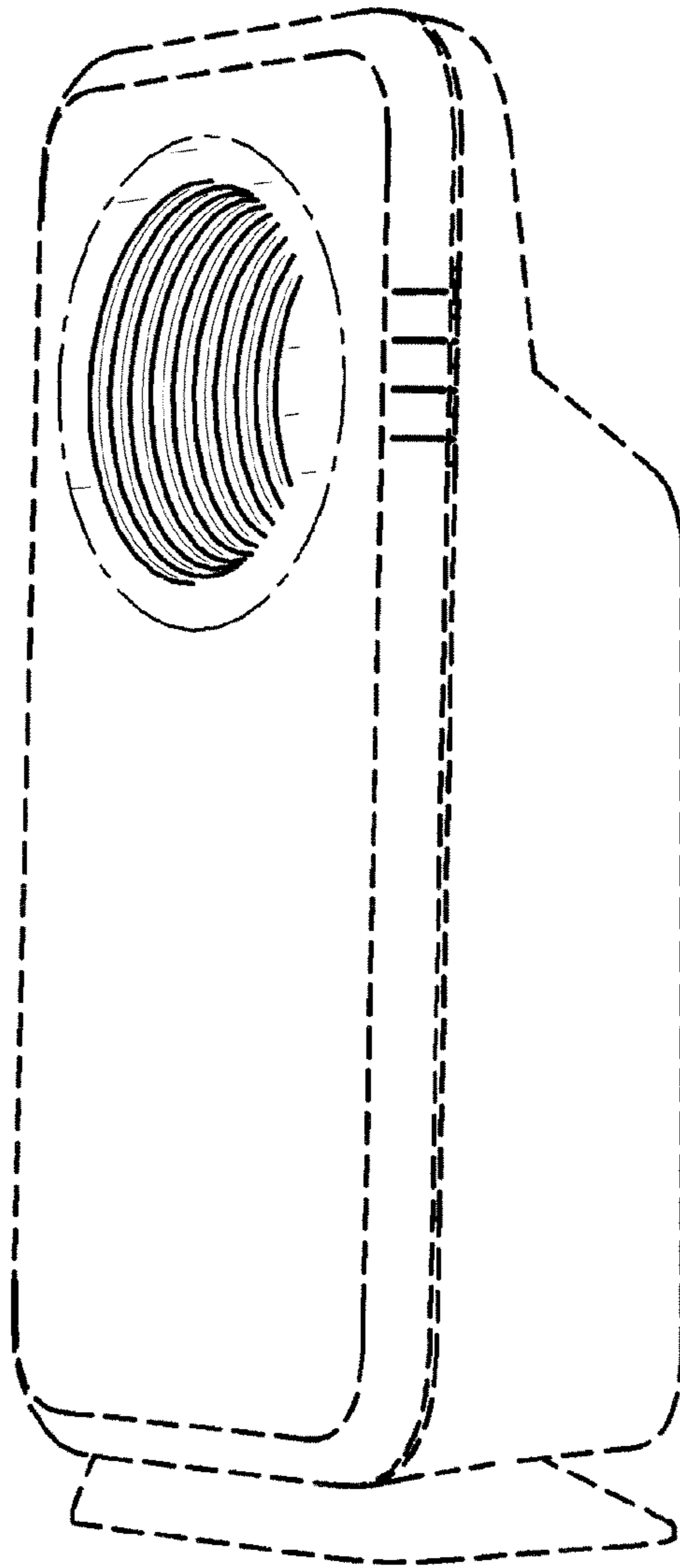


FIG. 25

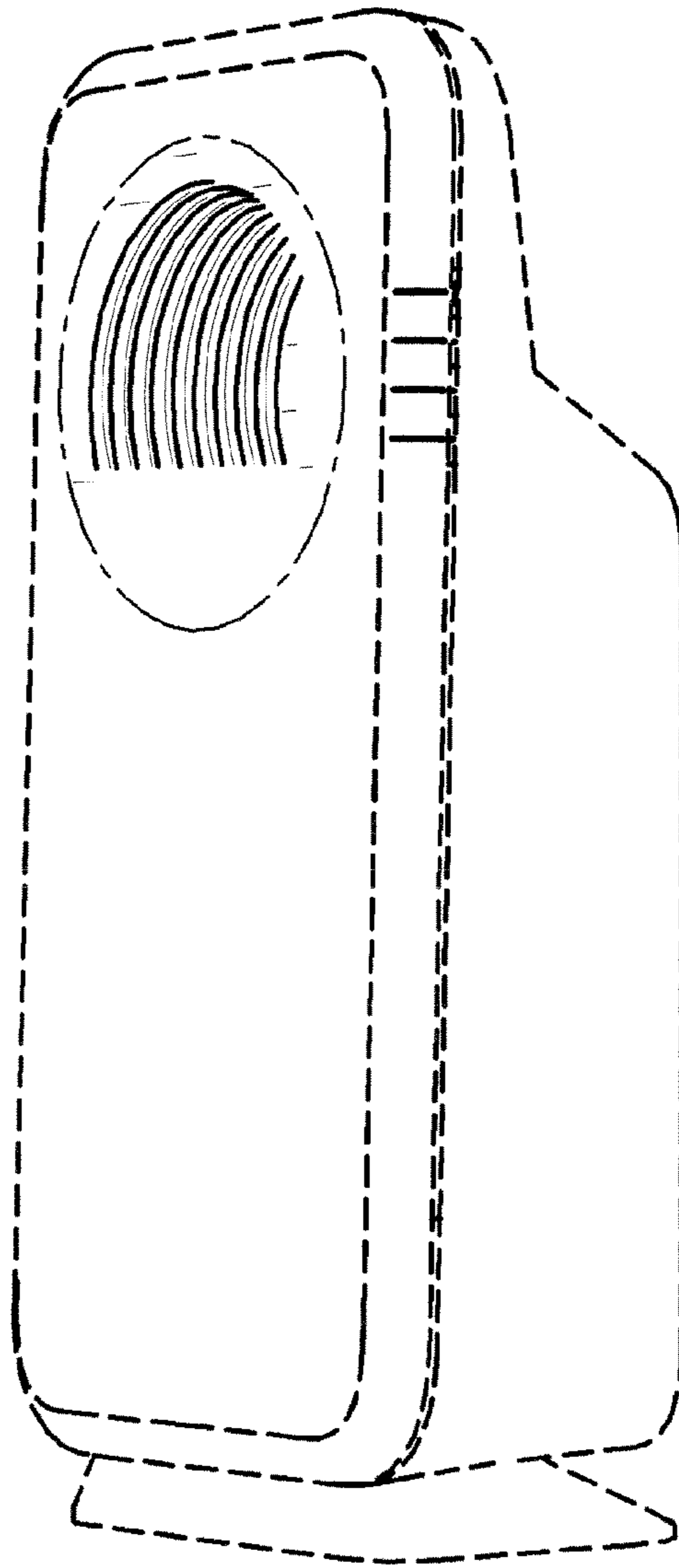


FIG. 26

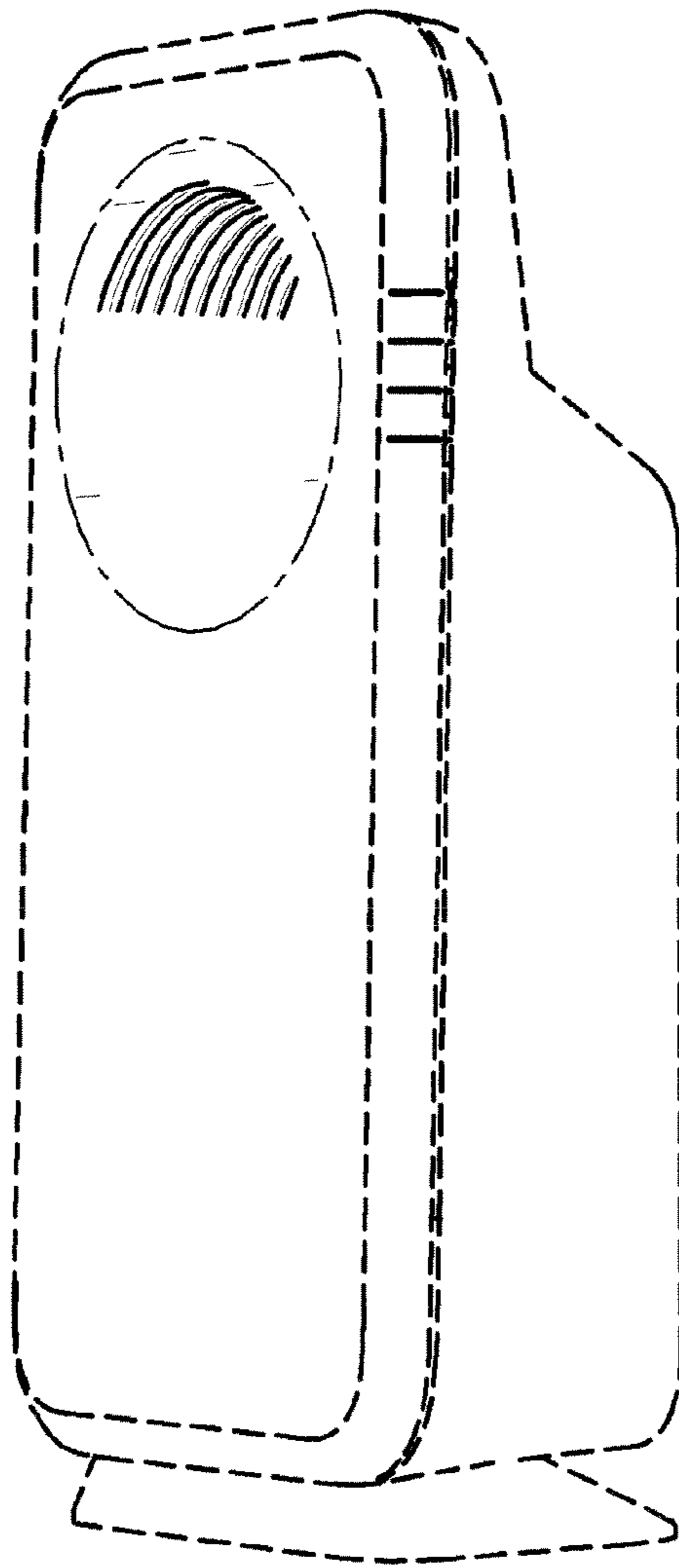


FIG. 27

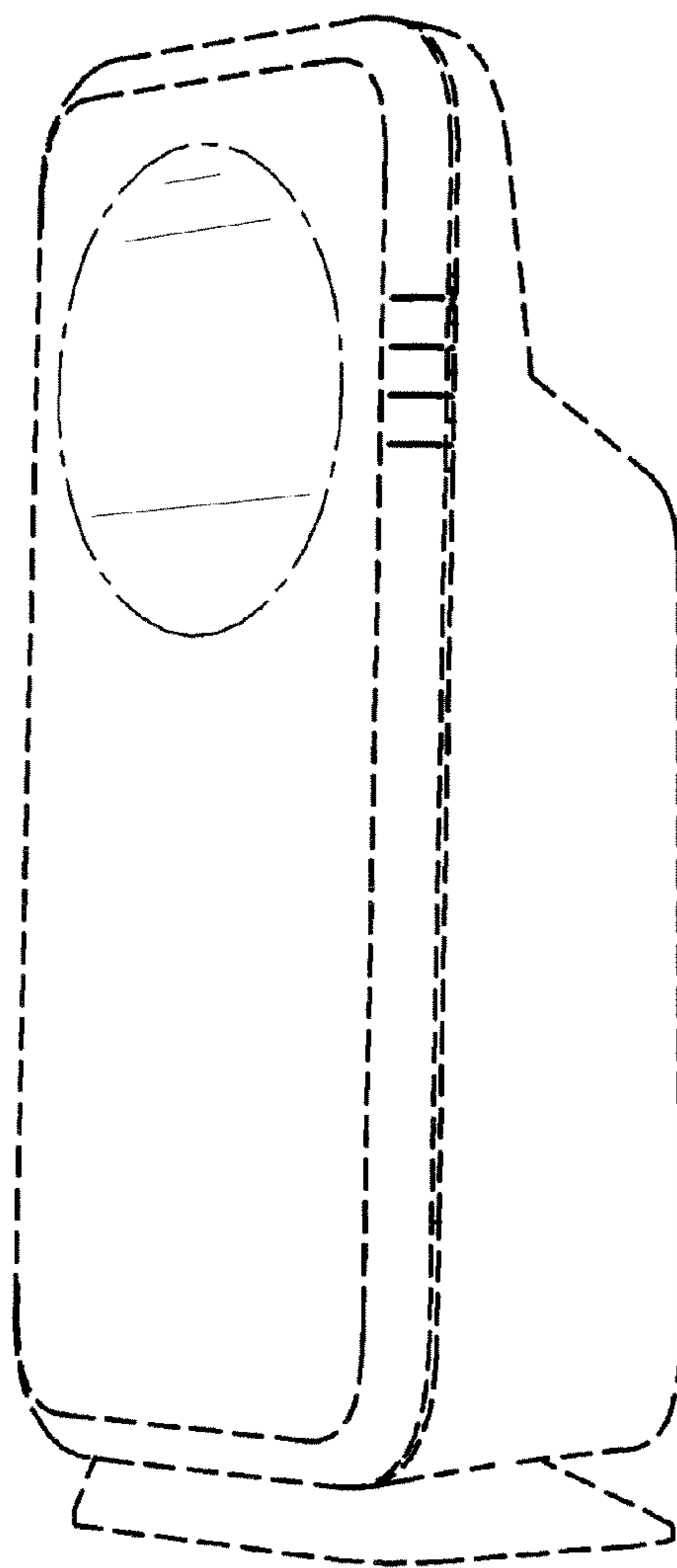


FIG. 28

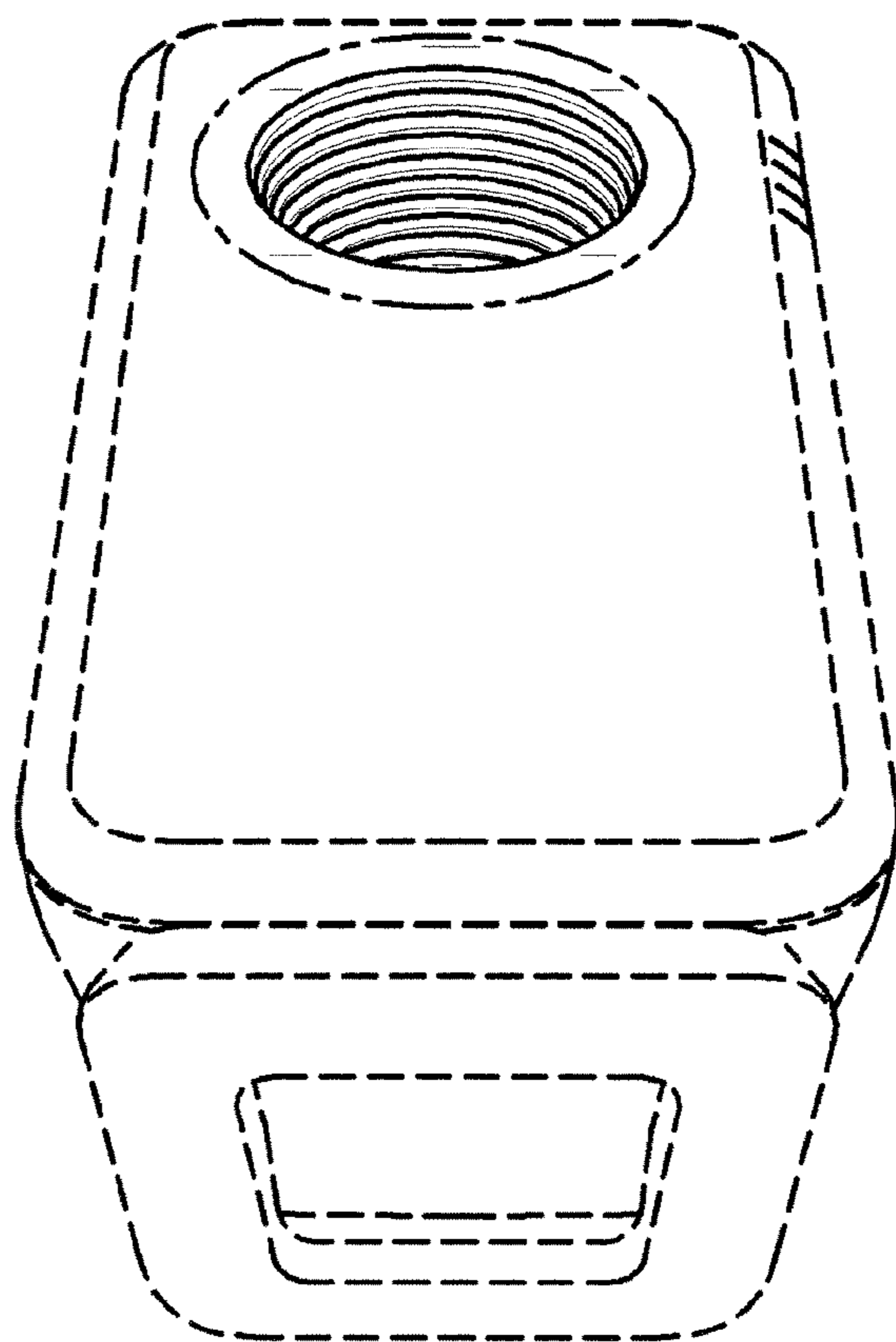


FIG. 29

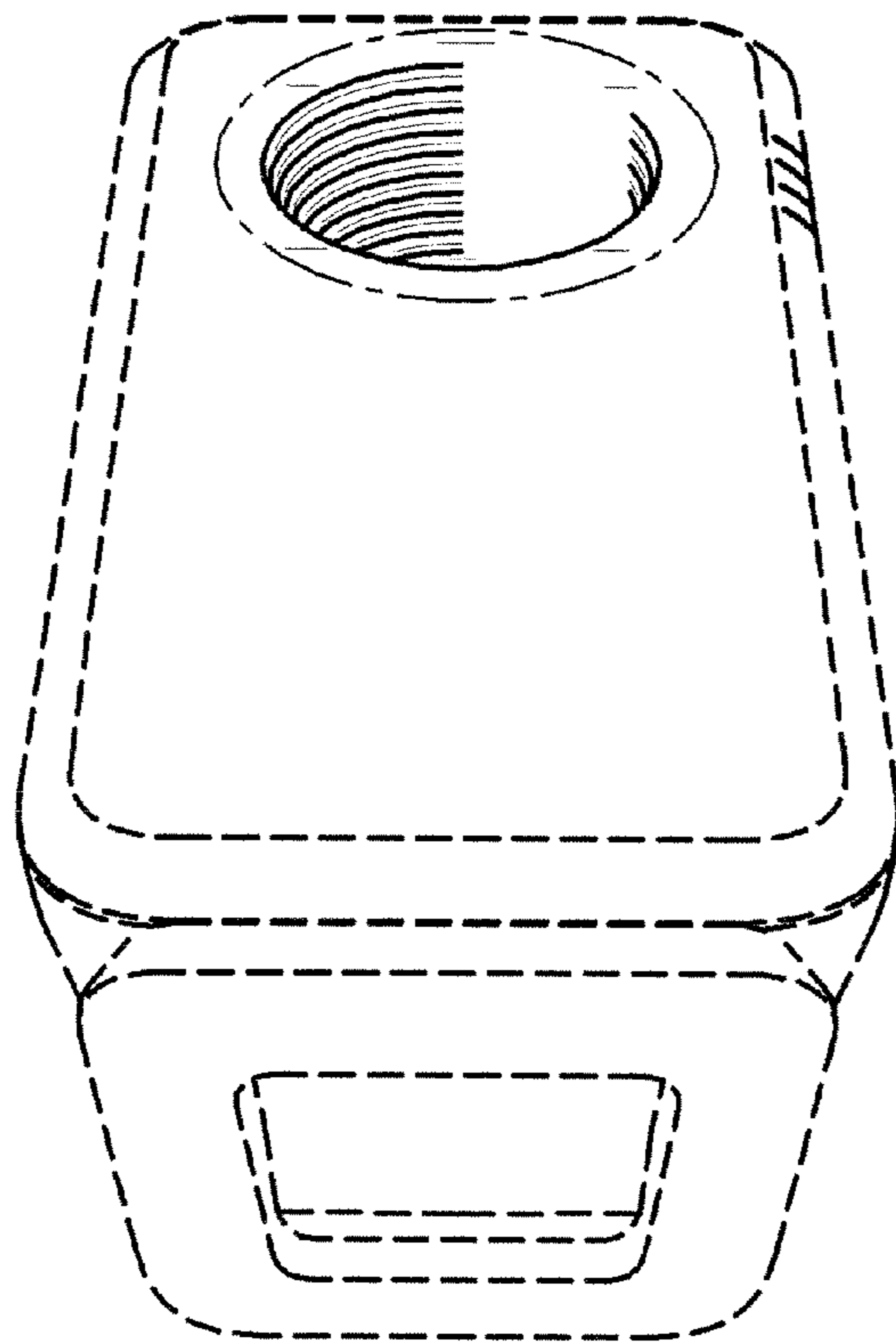


FIG. 30

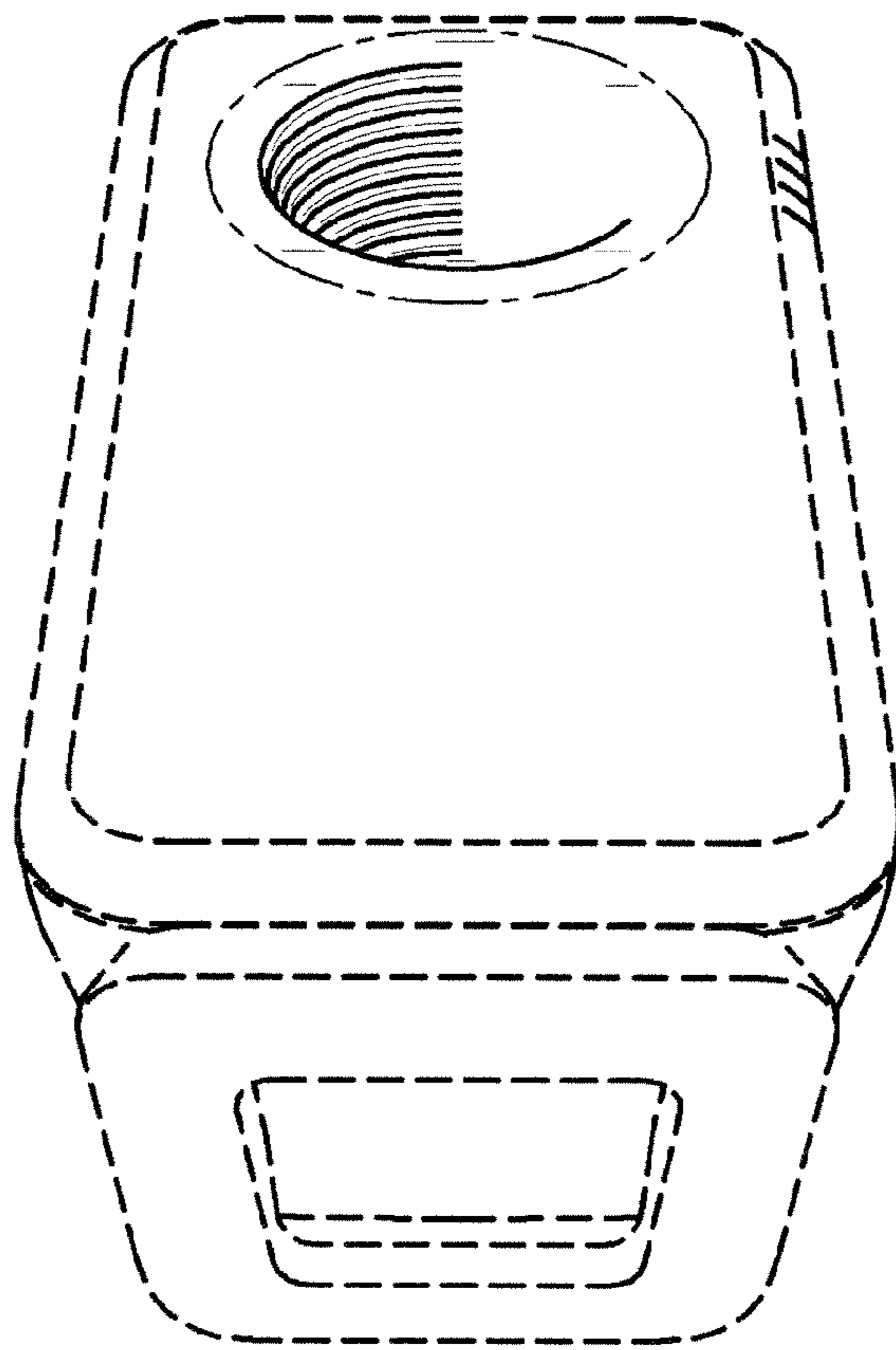


FIG. 31

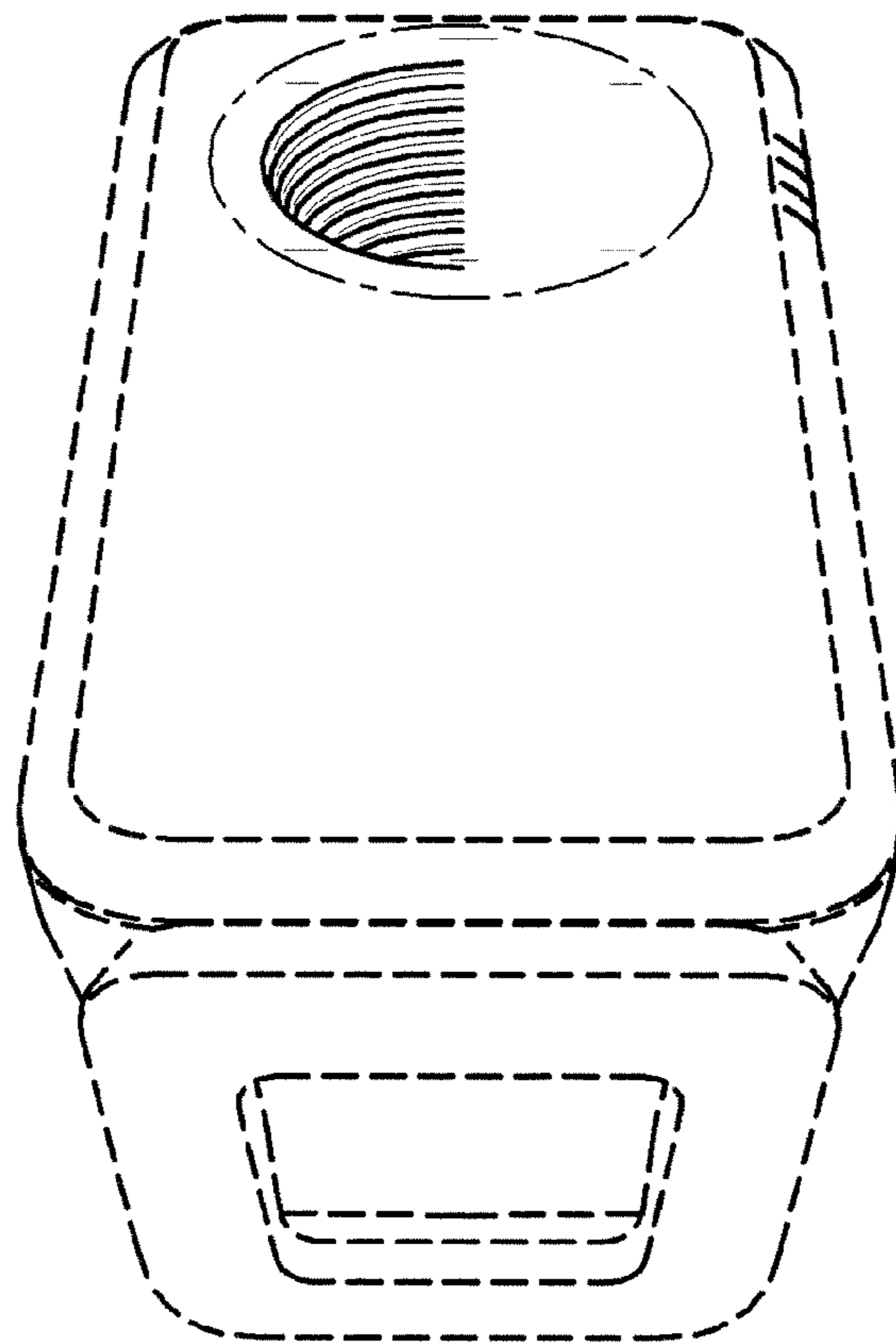


FIG. 32

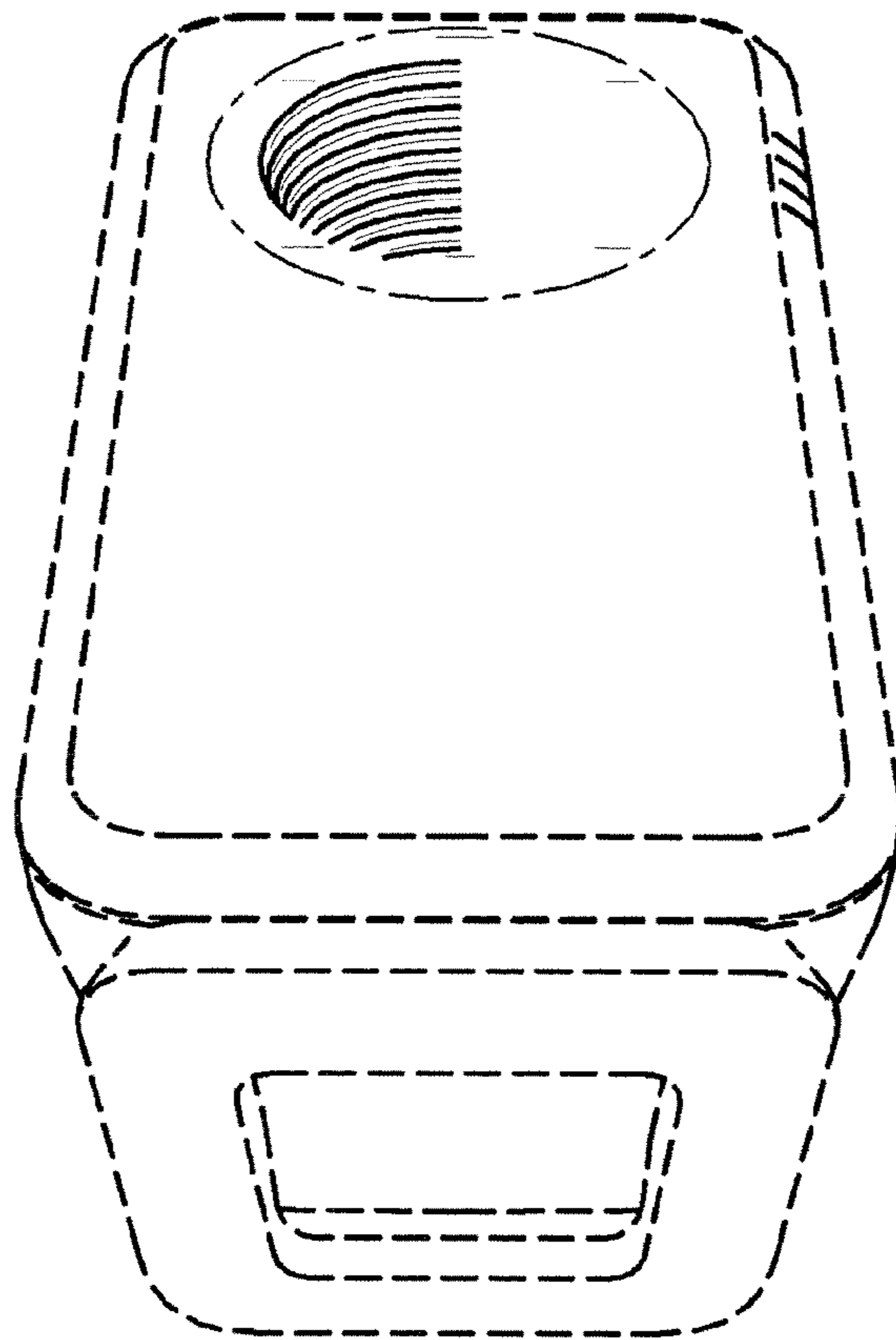


FIG. 33

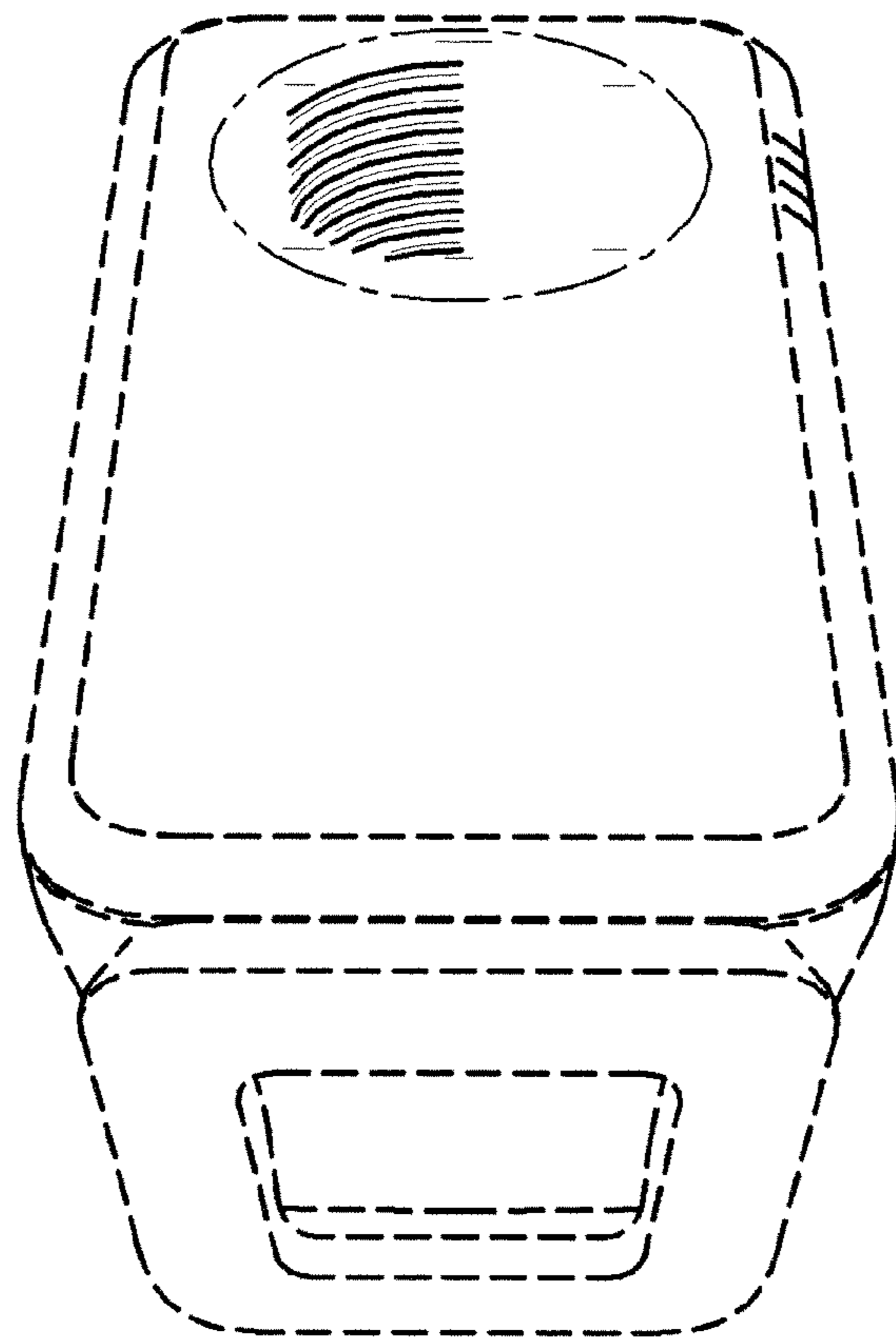


FIG. 34

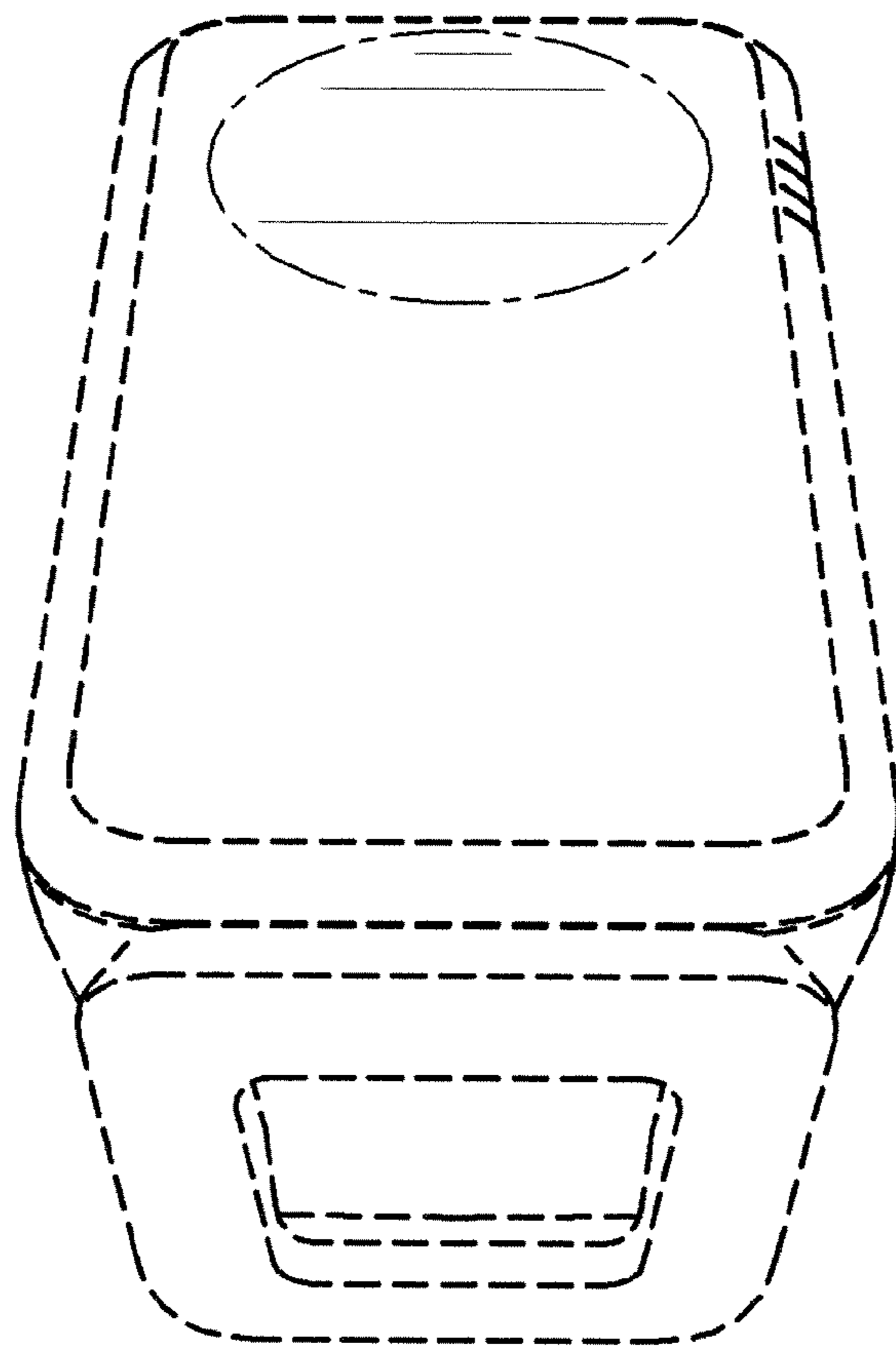


FIG. 35