

US00D732645S

(12) **United States Design Patent**
Beall

(10) **Patent No.:** **US D732,645 S**
(45) **Date of Patent:** **** Jun. 23, 2015**

(54) **RAIN CHAIN**

D651,295 S * 12/2011 Beall D23/267

(71) Applicant: **Garm Beall**, Canoga Park, CA (US)

* cited by examiner

(72) Inventor: **Garm Beall**, Canoga Park, CA (US)

Primary Examiner — Eric Goodman
Assistant Examiner — Daniel J Domino

(**) Term: **14 Years**

(74) *Attorney, Agent, or Firm* — Kelly & Kelley, LLP

(21) Appl. No.: **29/500,907**

(57) **CLAIM**

The ornamental design of a rain chain, as shown and described.

(22) Filed: **Aug. 29, 2014**

(51) **LOC (10) Cl.** **23-01**

(52) **U.S. Cl.**

USPC **D23/267**

(58) **Field of Classification Search**

USPC D23/213, 222, 267; D11/12–13, 117,
D11/141, 148; 52/11–12, 16; 137/615;
116/150; 428/24–26; 4/661

See application file for complete search history.

DESCRIPTION

FIG. 1 is a perspective view of a single component of a rain chain;

FIG. 2 is a right-side view thereof, the left-side view being a mirror image thereof;

FIG. 3 is a front view thereof, the rear view being a mirror image thereof;

FIG. 4 is a top plan view thereof;

FIG. 5 is a bottom plan view thereof;

FIG. 6 is a cross-sectional view taken along the line 6-6 of FIG. 4; and,

FIG. 7 is an elevational view of multiple components of the rain chain interconnected to one another, showing the article in a state of use.

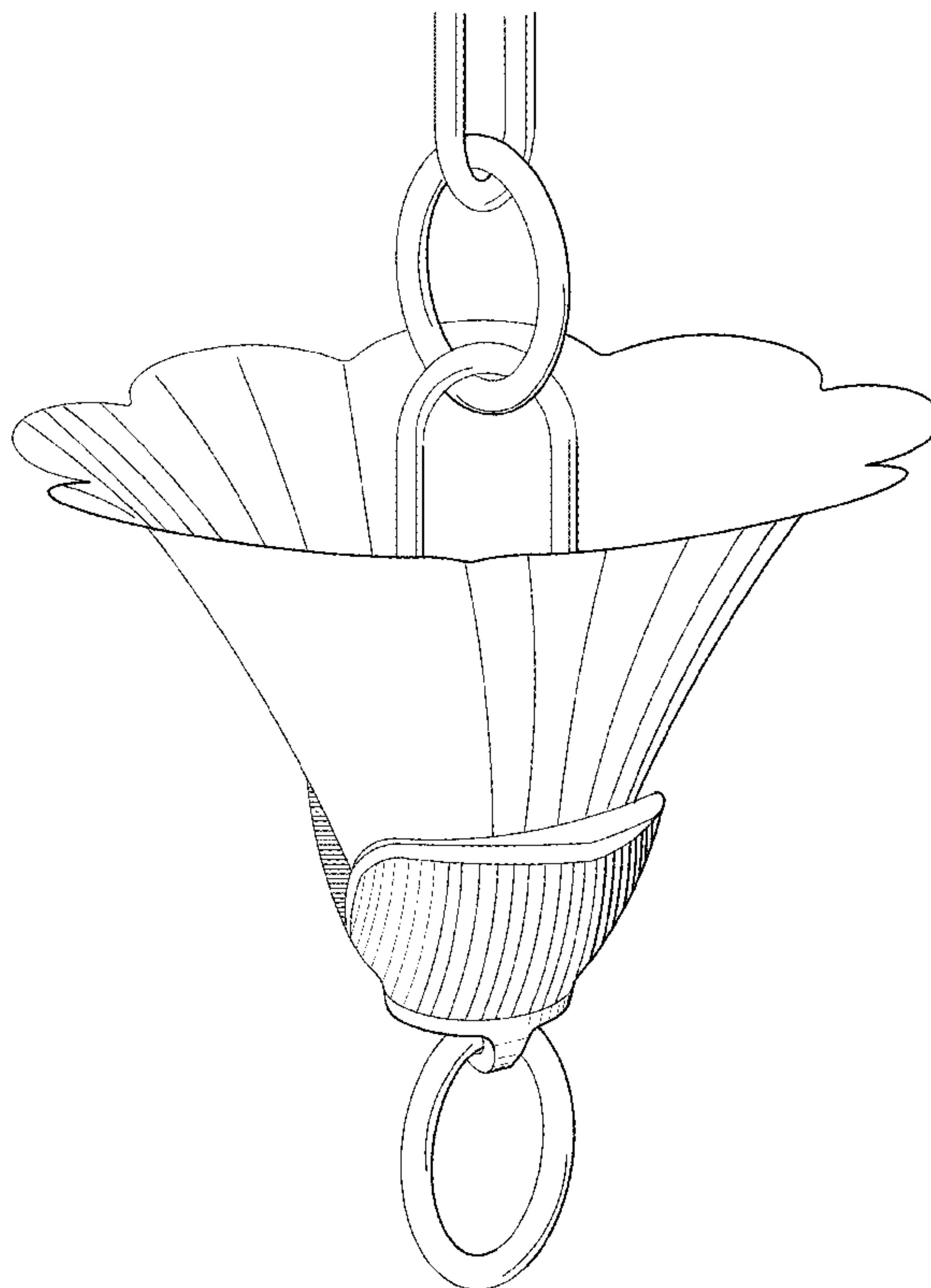
The broken lines shown in the figures are for the purpose of illustrating portions of the article and form no part of the claimed design.

(56) **References Cited**

U.S. PATENT DOCUMENTS

| | | | | | |
|------------|---|---------|---------------|-------|---------|
| D515,184 S | * | 2/2006 | Beall | | D23/267 |
| D519,191 S | * | 4/2006 | Beall | | D23/267 |
| D519,600 S | * | 4/2006 | Beall | | D23/200 |
| D547,423 S | * | 7/2007 | Lindsay | | D23/267 |
| D569,488 S | * | 5/2008 | Lindsay | | D23/267 |
| D603,483 S | * | 11/2009 | Lindsay | | D23/267 |
| D610,227 S | * | 2/2010 | Hunter et al. | | D23/222 |
| D651,289 S | * | 12/2011 | Beall | | D23/261 |
| D651,294 S | * | 12/2011 | Beall | | D23/267 |

1 Claim, 7 Drawing Sheets



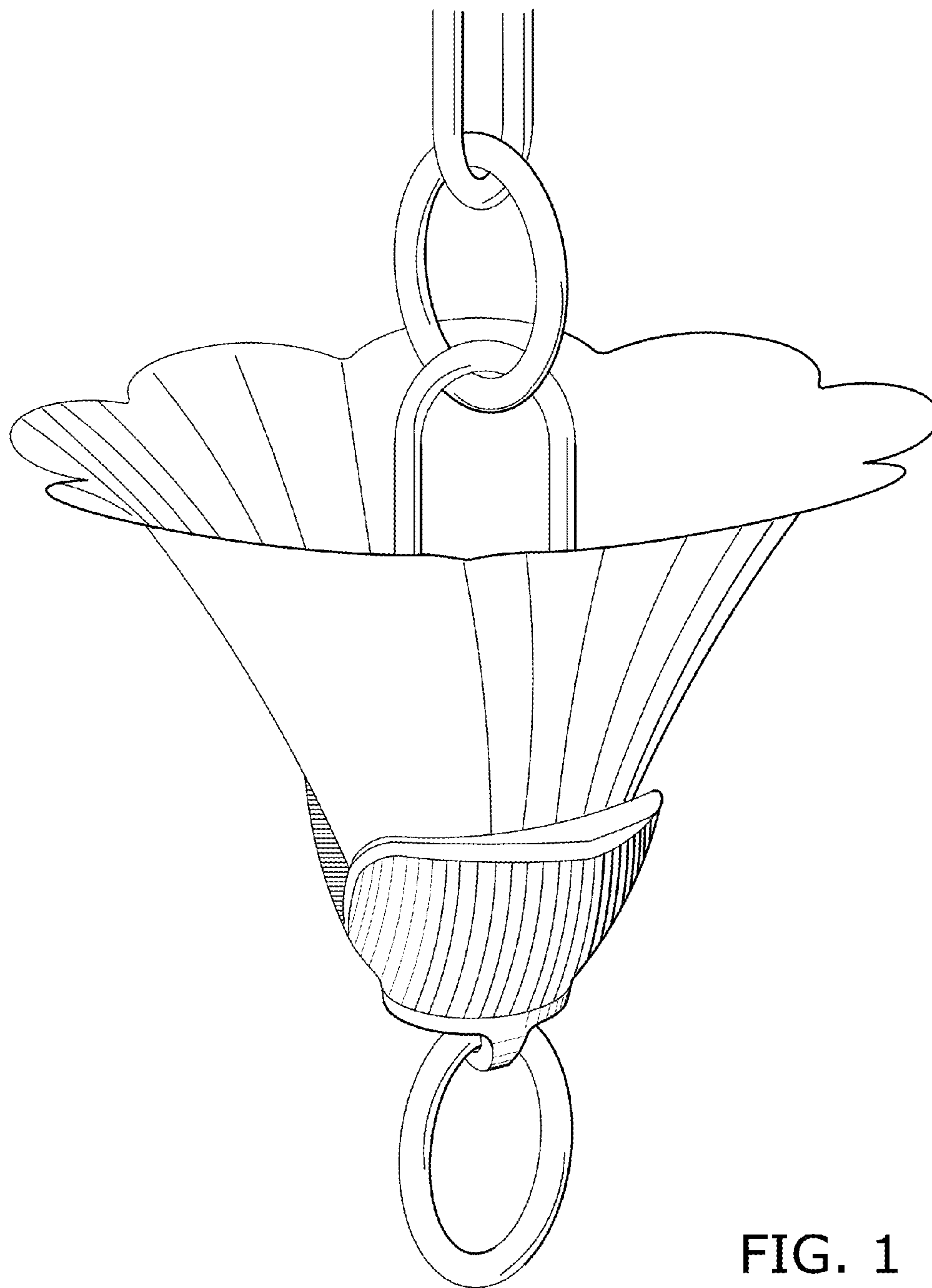


FIG. 1

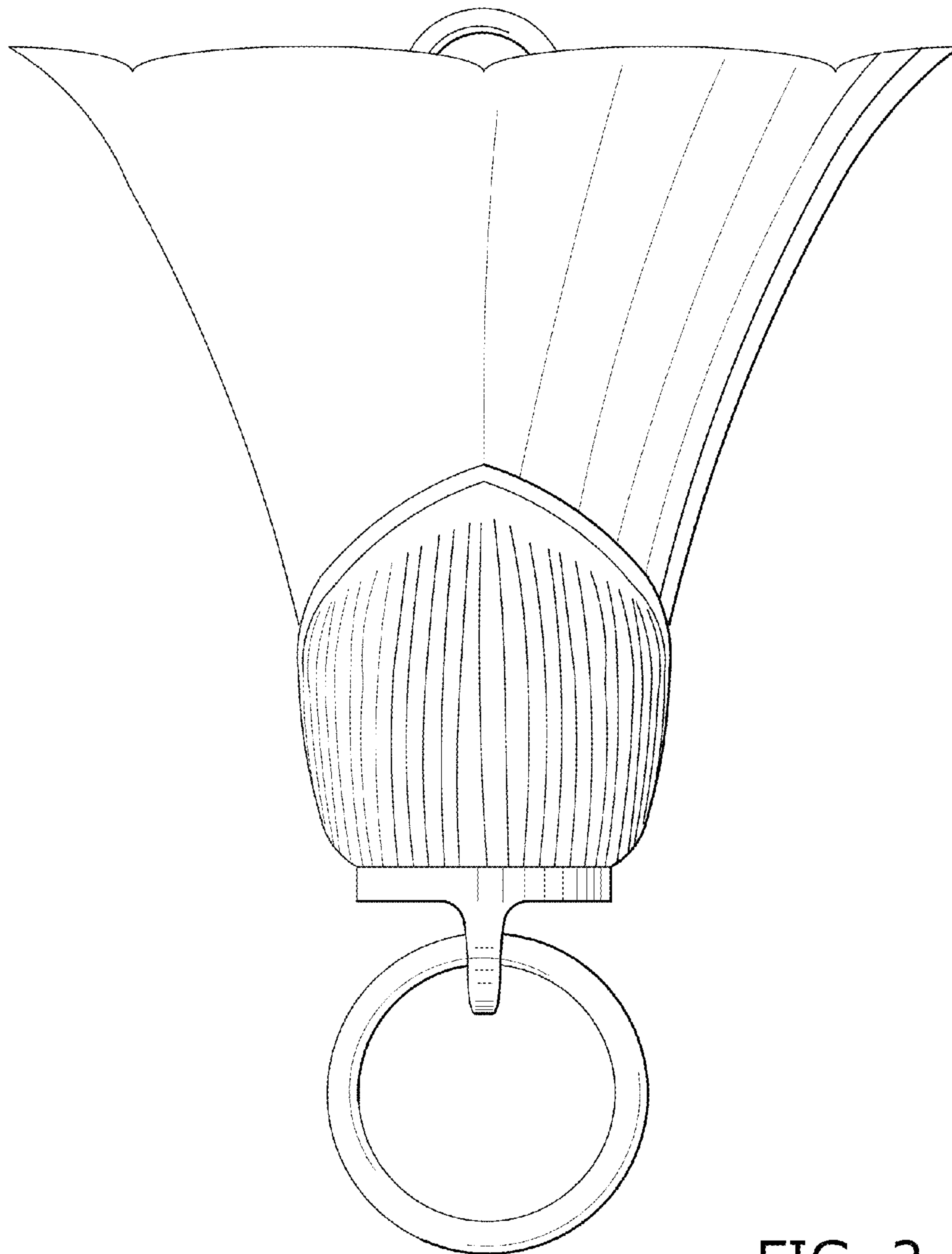


FIG. 2

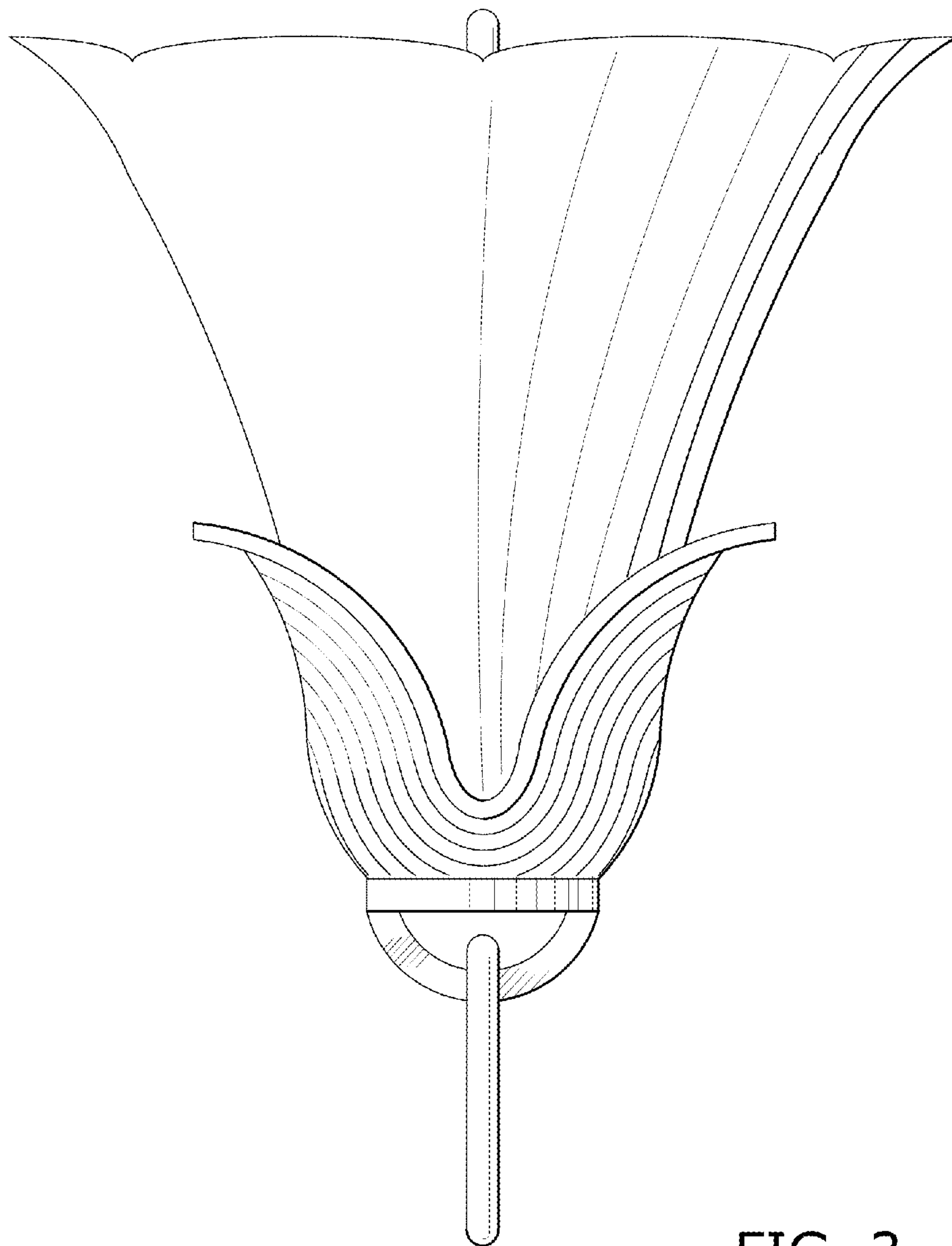


FIG. 3

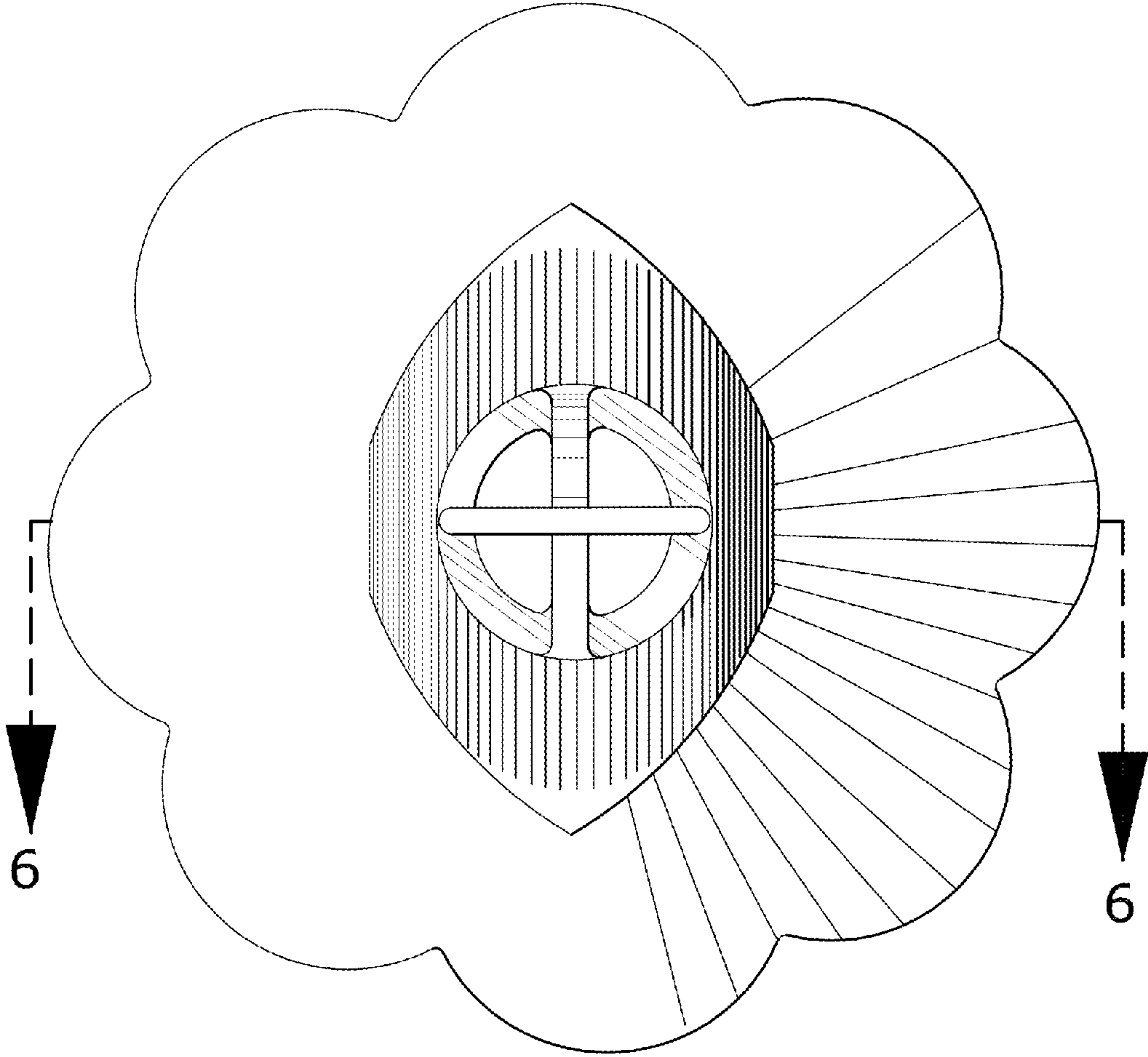


FIG. 4

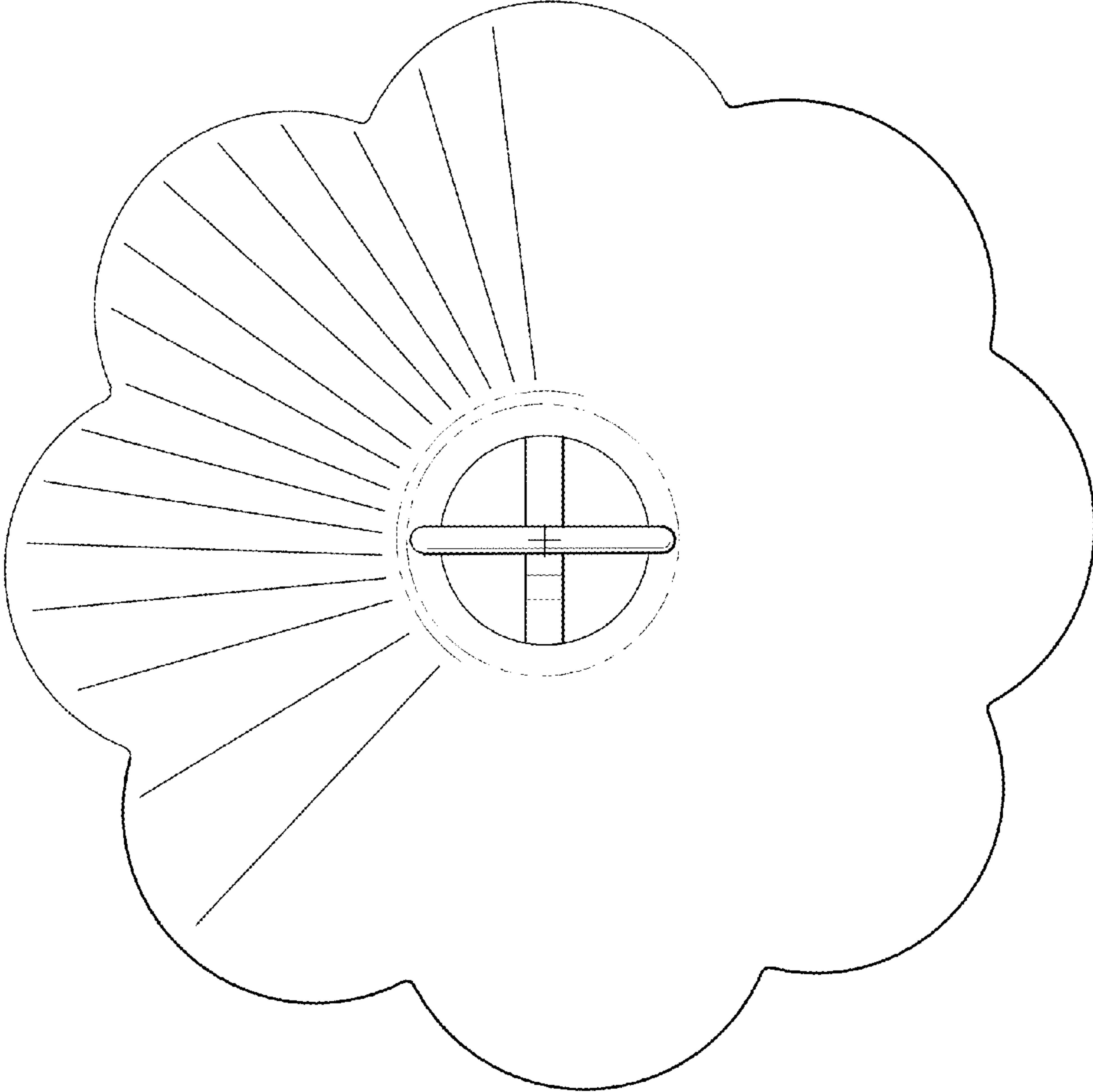


FIG. 5

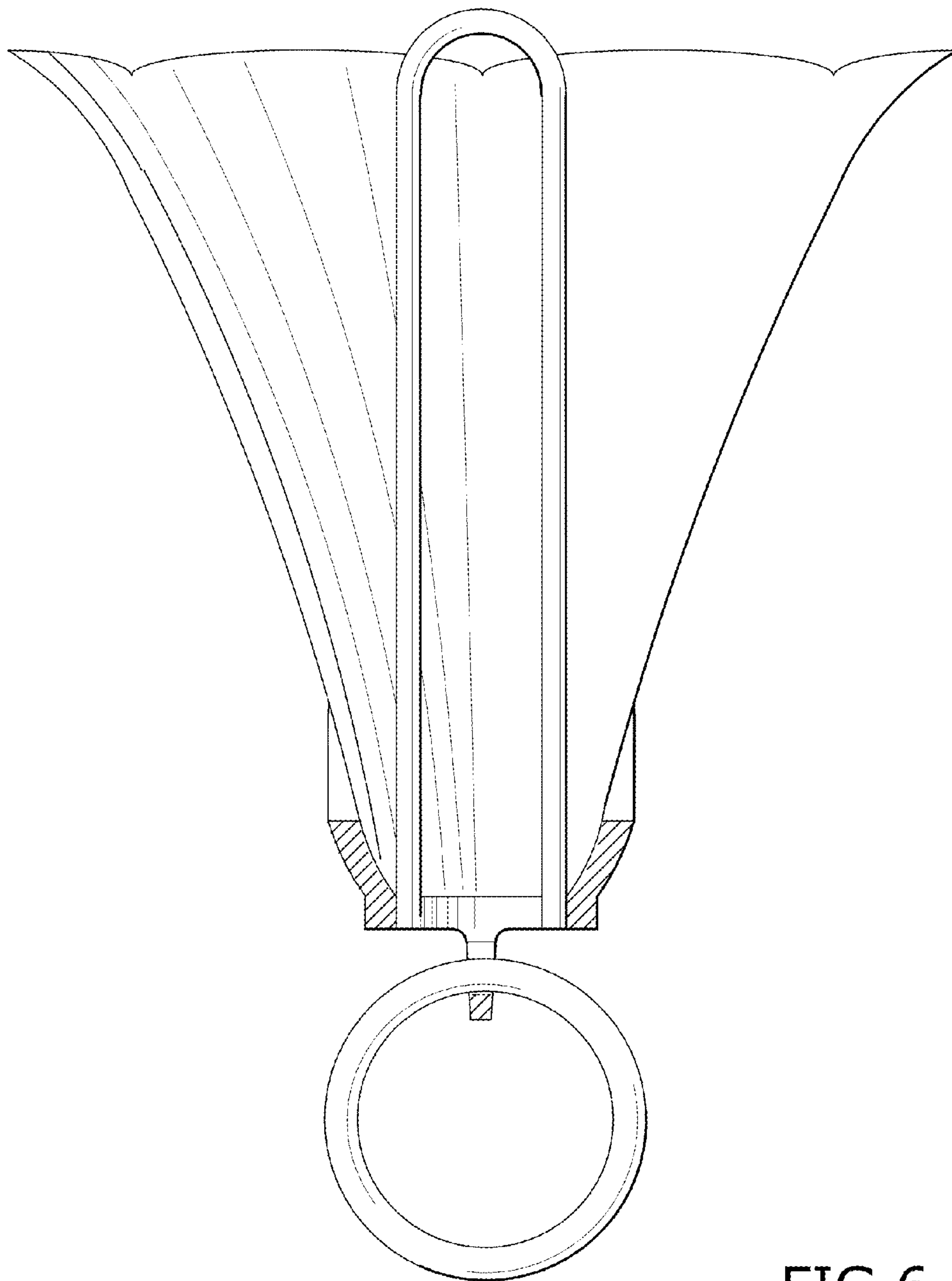


FIG.6

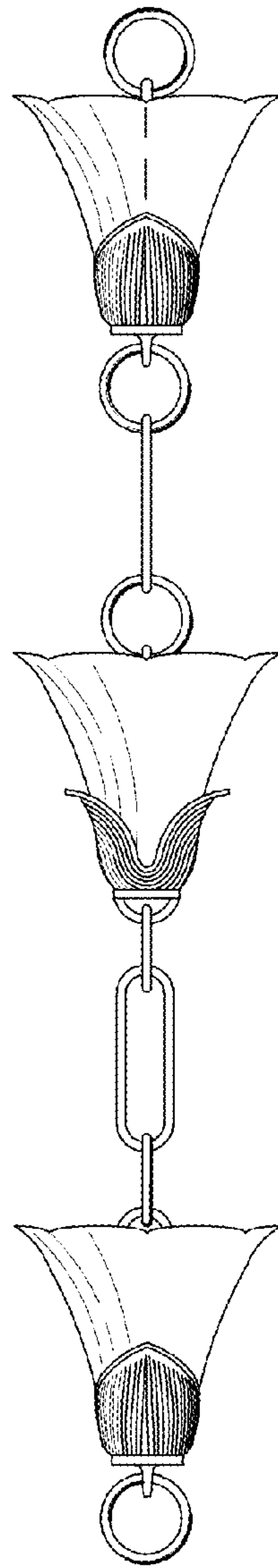


FIG. 7