



US00D732644S

(12) **United States Design Patent**
Yamagishi et al.

(10) **Patent No.:** **US D732,644 S**
(45) **Date of Patent:** **** Jun. 23, 2015**

(54) **TOP PLATE**

(71) Applicant: **ASM IP Holding B.V.**, Almere (NL)

(72) Inventors: **Takayuki Yamagishi**, Kashiwazaki (JP);
Kazuo Sato, Kawasaki (JP); **Naoto Tsuji**, Tokyo (JP)

(73) Assignee: **ASM IP Holding B.V.**, Almere (NL)

(**) Term: **14 Years**

(21) Appl. No.: **29/481,315**

(22) Filed: **Feb. 4, 2014**

(51) **LOC (10) Cl.** **23-01**

(52) **U.S. Cl.**
USPC **D23/261**

(58) **Field of Classification Search**
USPC D23/259, 260, 261, 262, 263, 264, 265,
D23/266, 267, 268, 269, 275, 283, 304;
4/596, 597, 598, 609, 612, 663;
239/548, 555, 600; 210/459, 460
See application file for complete search history.

(56) **References Cited**

U.S. PATENT DOCUMENTS

5,060,322	A *	10/1991	Delepine	4/601
D327,534	S *	6/1992	Manville et al.	D23/261
D380,527	S *	7/1997	Velez	D23/261
D419,652	S *	1/2000	Hall et al.	D23/259
D457,609	S *	5/2002	Piano	D23/304
D461,233	S *	8/2002	Whalen	D23/261
D461,882	S *	8/2002	Piano	D23/304

D486,891	S *	2/2004	Cronce, Jr.	D23/260
6,688,784	B1 *	2/2004	Templeton	396/611
7,143,897	B1 *	12/2006	Guzman et al.	210/460
D585,968	S *	2/2009	Elkins et al.	D23/259
D602,575	S *	10/2009	Breda	D23/261
D613,829	S *	4/2010	Griffin et al.	D23/260
D652,896	S *	1/2012	Grether	D23/249
D653,734	S *	2/2012	Sisk	D23/269
8,196,234	B2 *	6/2012	Glunk	4/614
D665,055	S *	8/2012	Yanagisawa et al.	D23/261
8,307,472	B1 *	11/2012	Saxon et al.	4/597
2005/0258280	A1 *	11/2005	Goto et al.	239/548
2013/0292047	A1 *	11/2013	Tian et al.	156/242
2014/0283747	A1 *	9/2014	Kasai et al.	118/723 R

* cited by examiner

Primary Examiner — John Windmuller

Assistant Examiner — Steven Czyz

(74) *Attorney, Agent, or Firm* — Snell & Wilmer LLP

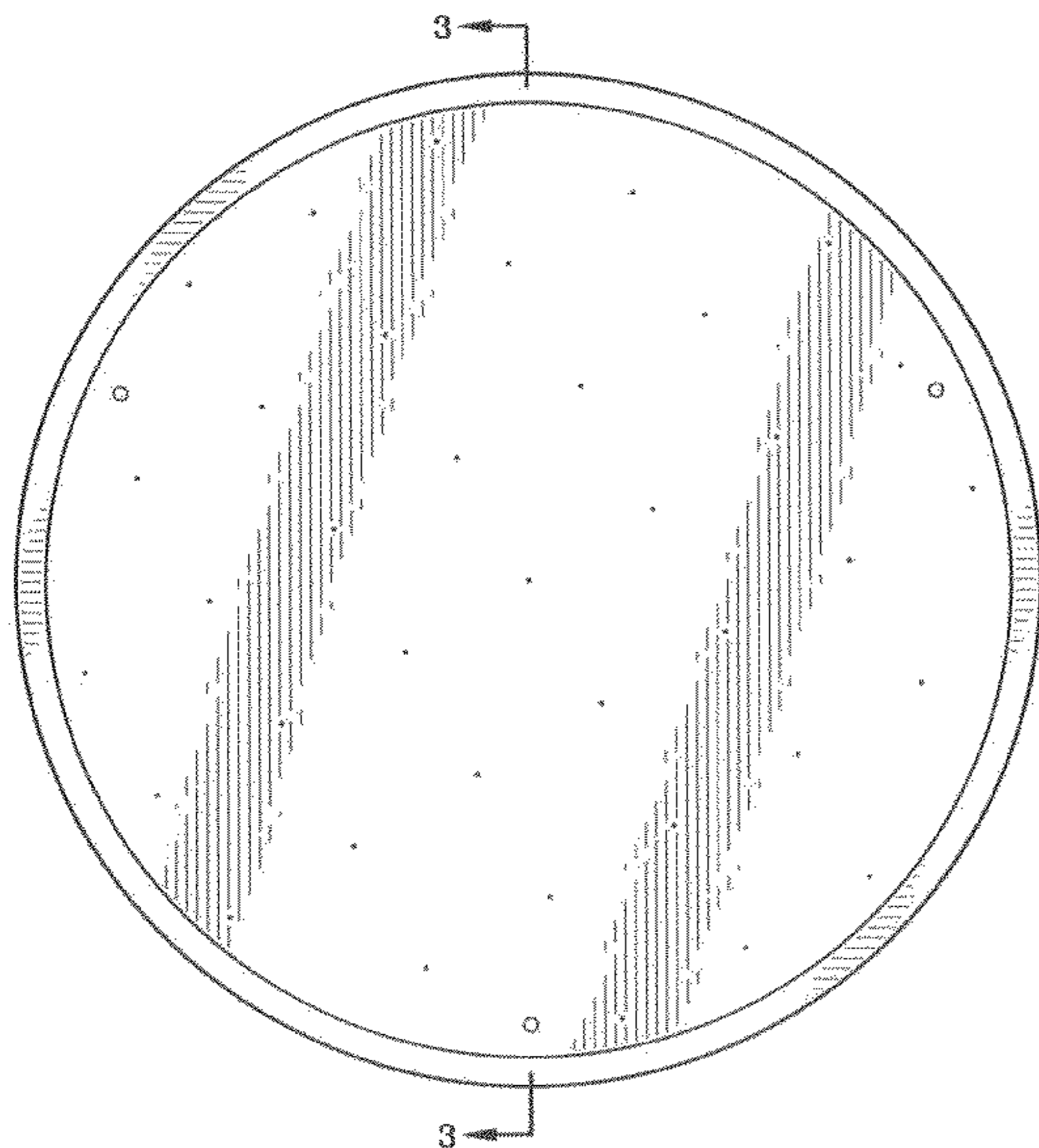
(57) **CLAIM**

The ornamental design for a top plate, as shown and described.

DESCRIPTION

FIG. 1 is a top view of a top plate of the present invention;
FIG. 2 is a side view thereof;
FIG. 3 is a cross-sectional side view thereof, taken along the line 3-3 of FIG. 1;
FIG. 4 is a bottom view thereof;
FIG. 5 is an enlarged cross-sectional side view thereof, enlarging the sections labeled FIG. 5 in FIG. 3; and,
FIG. 6 is an enlarged cross-sectional side view thereof, enlarging the sections labeled FIG. 6 in FIG. 3.

1 Claim, 4 Drawing Sheets



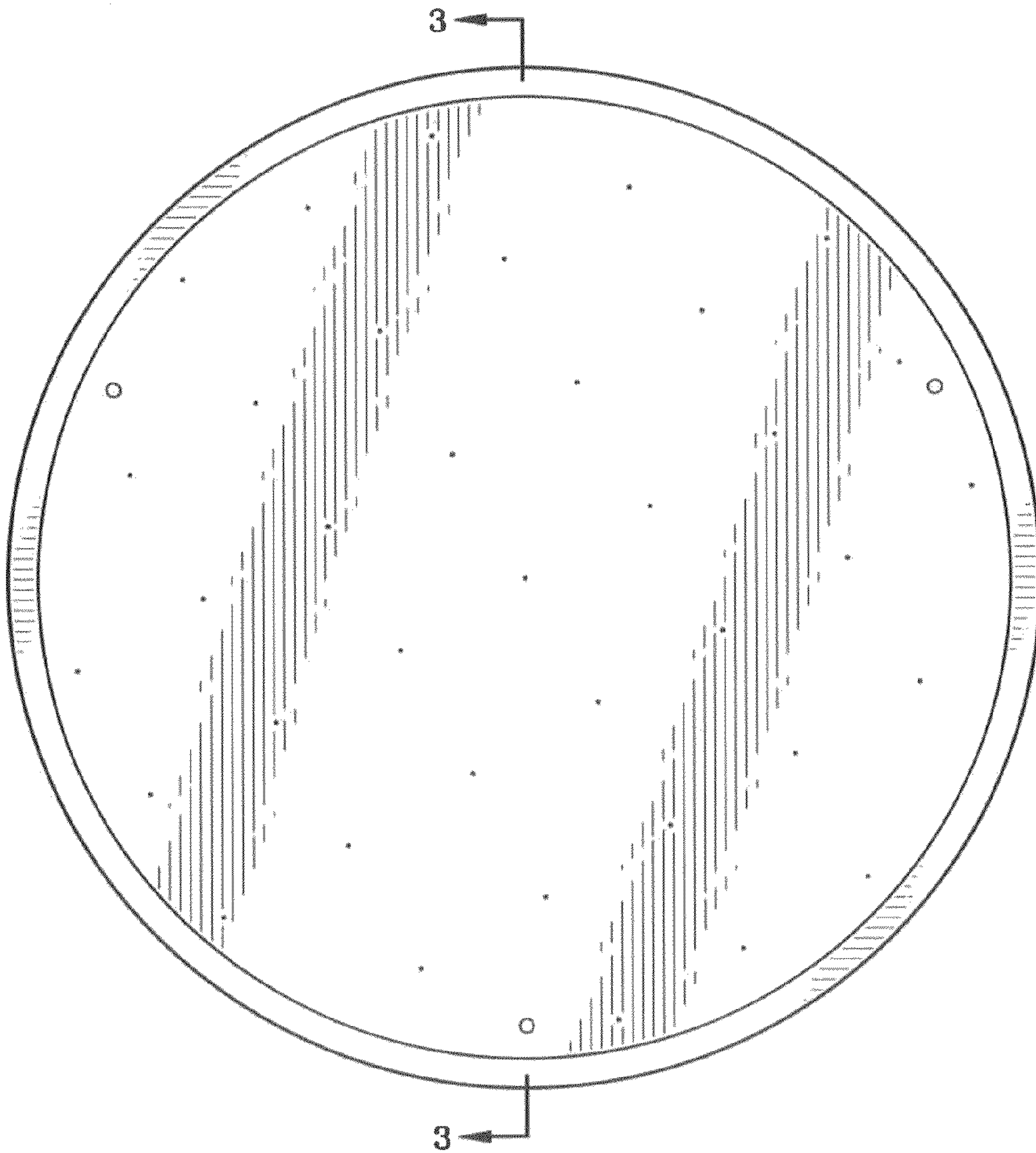


FIG-1



FIG-2

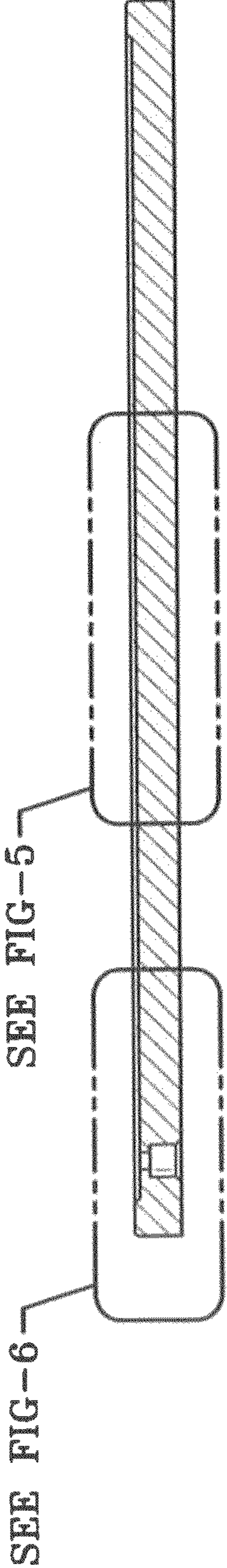


FIG-3

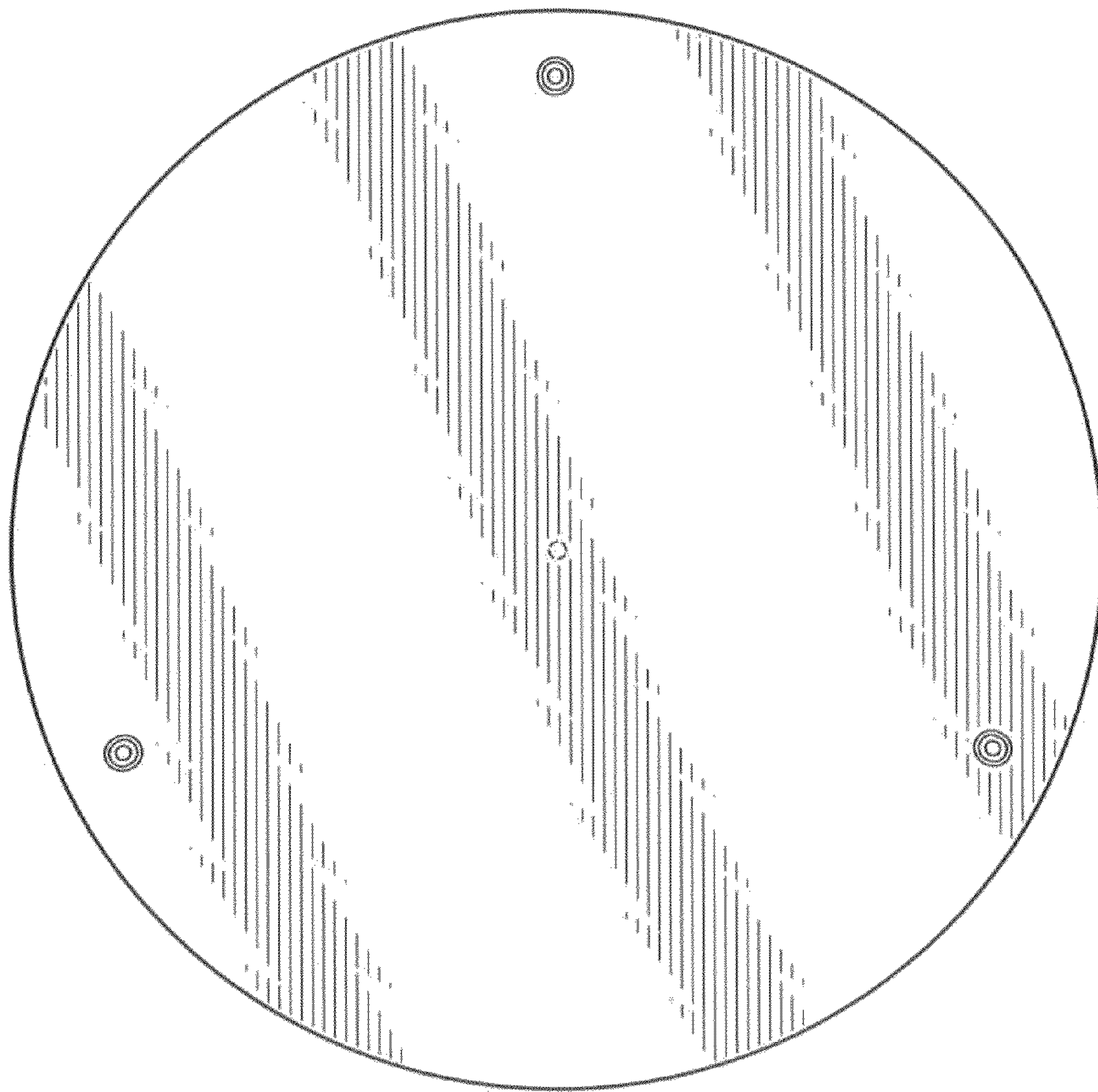


FIG-4

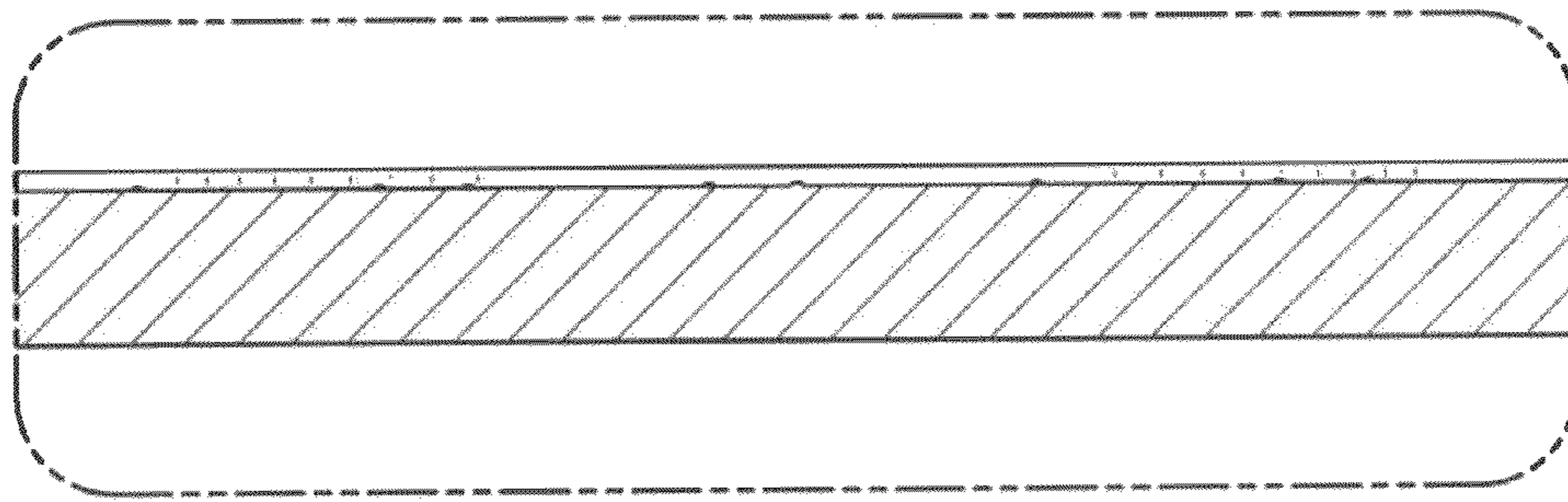


FIG-5

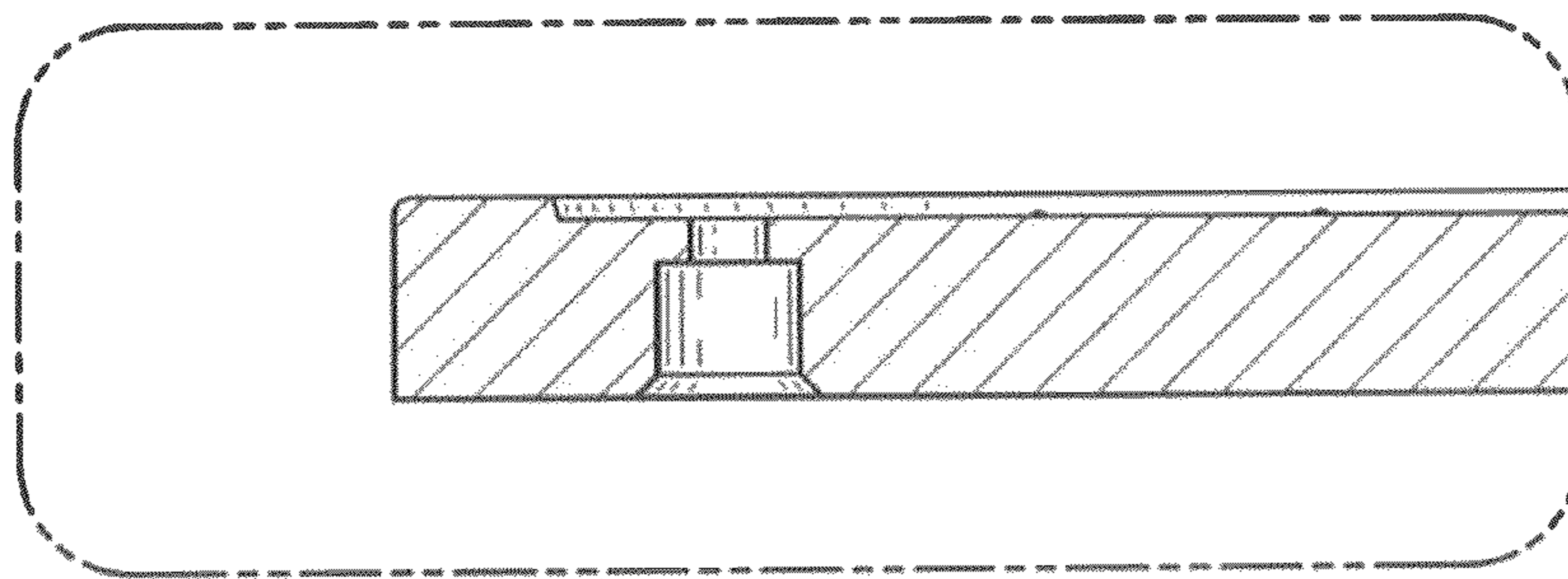


FIG-6