



US00D732643S

(12) **United States Design Patent**
Lai

(10) **Patent No.:** **US D732,643 S**
(45) **Date of Patent:** **** Jun. 23, 2015**

(54) **PIPE FITTING**

(71) Applicant: **Jung Tan Lai**, Dacun Township,
Changhua County (TW)

(72) Inventor: **Jung Tan Lai**, Dacun Township,
Changhua County (TW)

(**) Term: **14 Years**

(21) Appl. No.: **29/481,348**

(22) Filed: **Feb. 5, 2014**

(51) **LOC (10) Cl.** **23-01**

(52) **U.S. Cl.**
USPC **D23/259**

(58) **Field of Classification Search**
USPC D23/213, 223, 229, 259, 260, 261, 262,
D23/263, 264, 265, 266, 267, 268, 269;
D24/129; 138/96 T, 103, 109, 120, 121,
138/155; 239/107, 119, 539, 579; 285/21.1,
285/21.2, 24, 27, 30, 31, 179, 179.1, 338,
285/347; D8/380-382, 396; 403/52-55,
403/169-172, 217-219, 300, 301; 248/235
See application file for complete search history.

(56) **References Cited**

U.S. PATENT DOCUMENTS

4,648,628 A * 3/1987 Meadows et al. 285/24
5,039,134 A * 8/1991 Meadows et al. 285/24

D465,012 S * 10/2002 Tauzer D23/259
7,062,836 B1 * 6/2006 Sorgi 29/525.01
7,341,391 B2 * 3/2008 Nakahori et al. 403/27
D567,339 S * 4/2008 Tiberghien D23/262
D567,340 S * 4/2008 Tiberghien D23/262
D583,915 S * 12/2008 Tiberghien D23/263
D629,891 S * 12/2010 Virr et al. D24/129
D639,421 S * 6/2011 Sano et al. D24/118
D644,714 S * 9/2011 Mauchle et al. D23/213
8,616,586 B2 * 12/2013 Ostergaard et al. 285/109
2004/0155457 A1 * 8/2004 Mejlhede et al. 285/21.1
2009/0194991 A1 * 8/2009 Yang et al. 285/31
2014/0265303 A1 * 9/2014 Ismert 285/12

* cited by examiner

Primary Examiner — John Windmuller

Assistant Examiner — Steven Czyn

(74) *Attorney, Agent, or Firm* — Leong C. Lei

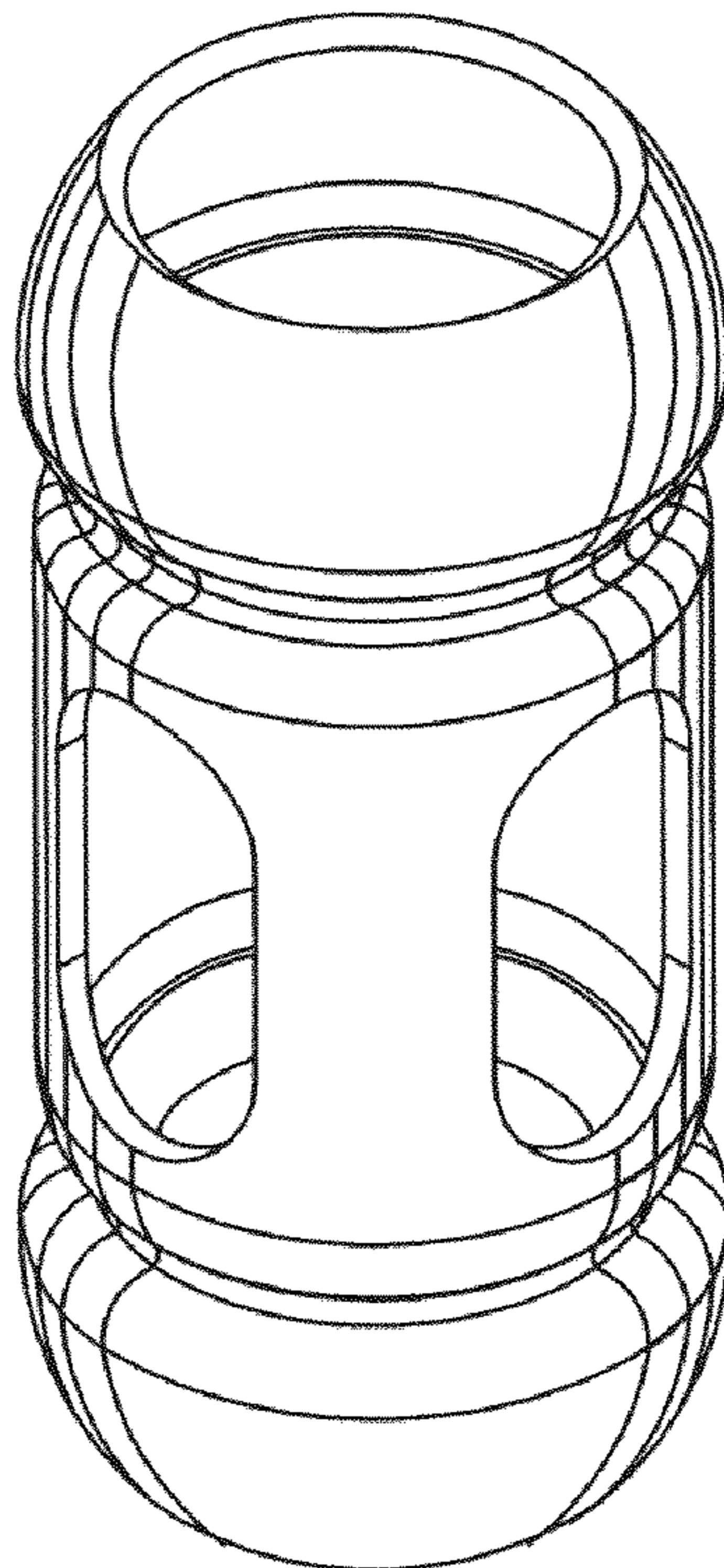
(57) **CLAIM**

The ornamental design for a pipe fitting, as shown and described.

DESCRIPTION

FIG. 1 is a perspective view of a pipe fitting showing my new design;
FIG. 2 is a front elevational view thereof;
FIG. 3 is a rear elevational view thereof;
FIG. 4 is a left side elevational view thereof;
FIG. 5 is right side elevational view thereof;
FIG. 6 is a top plan view thereof; and,
FIG. 7 is a bottom plan view thereof.

1 Claim, 4 Drawing Sheets



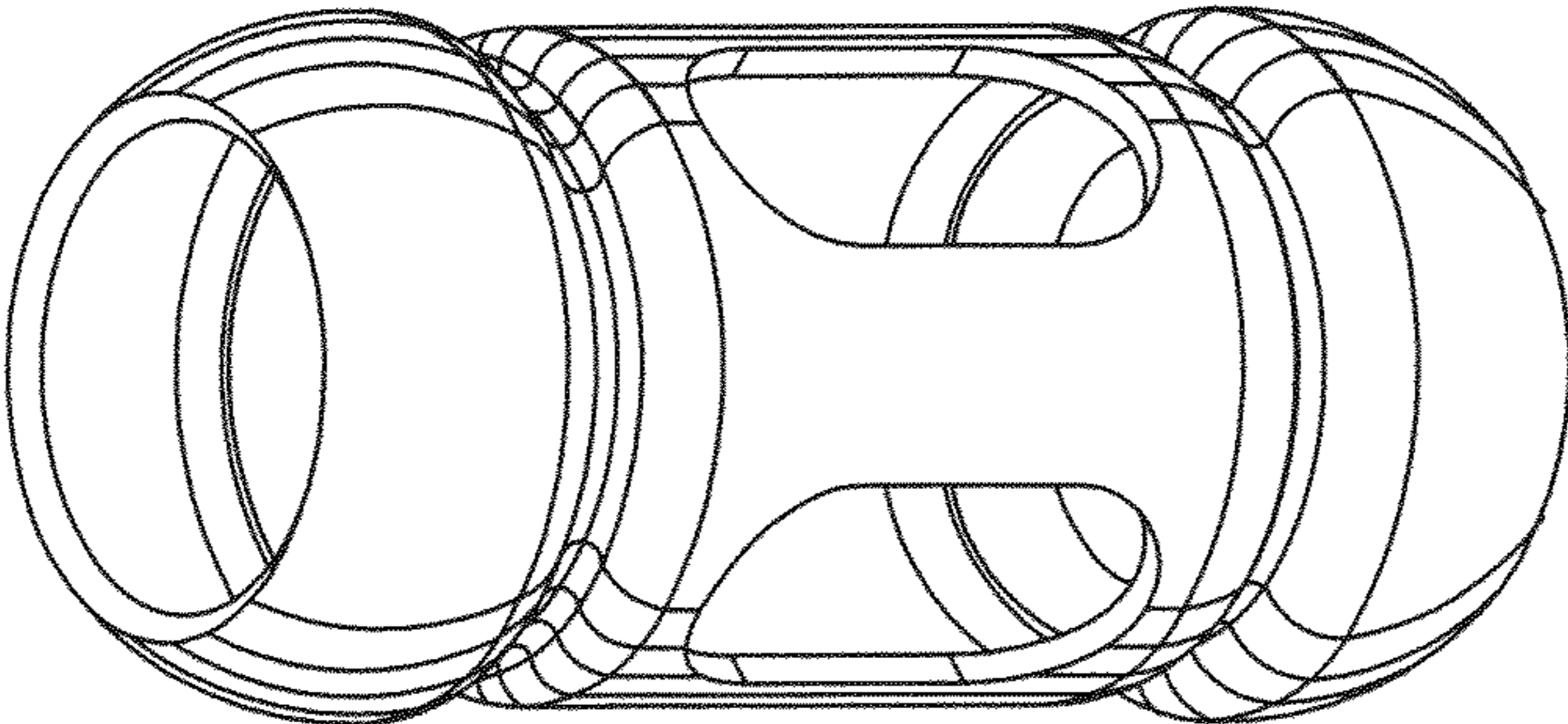


FIG. 1

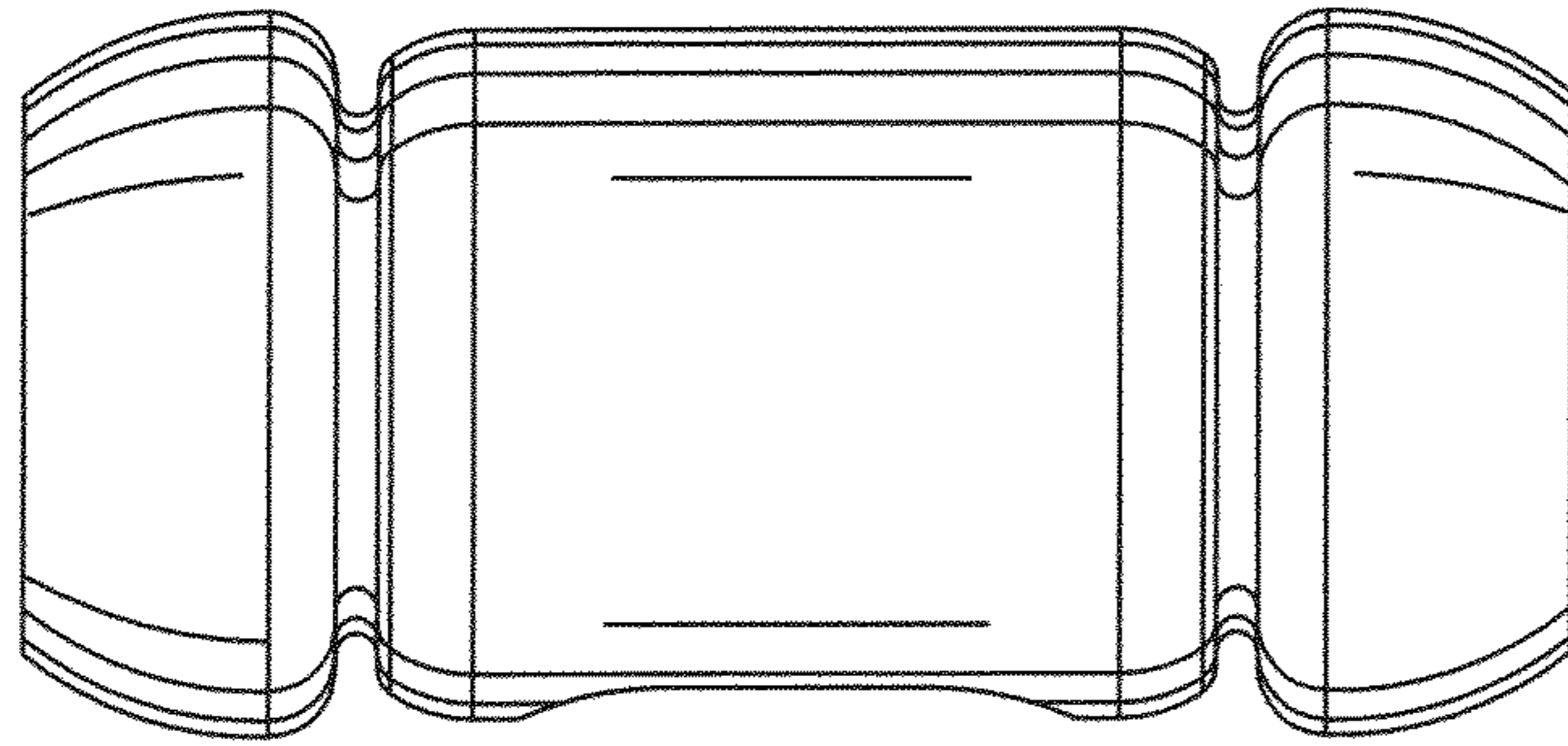


FIG. 3

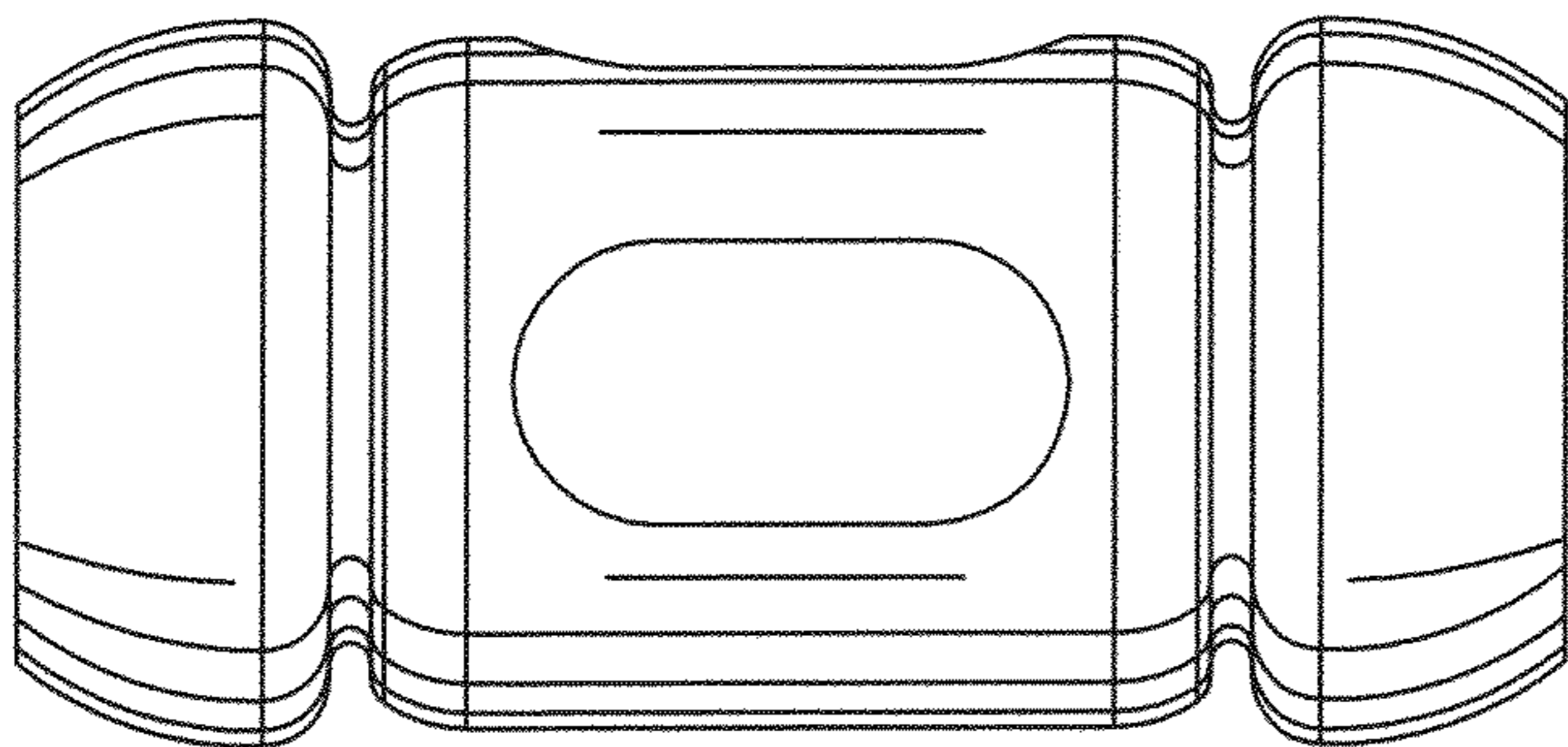


FIG. 2

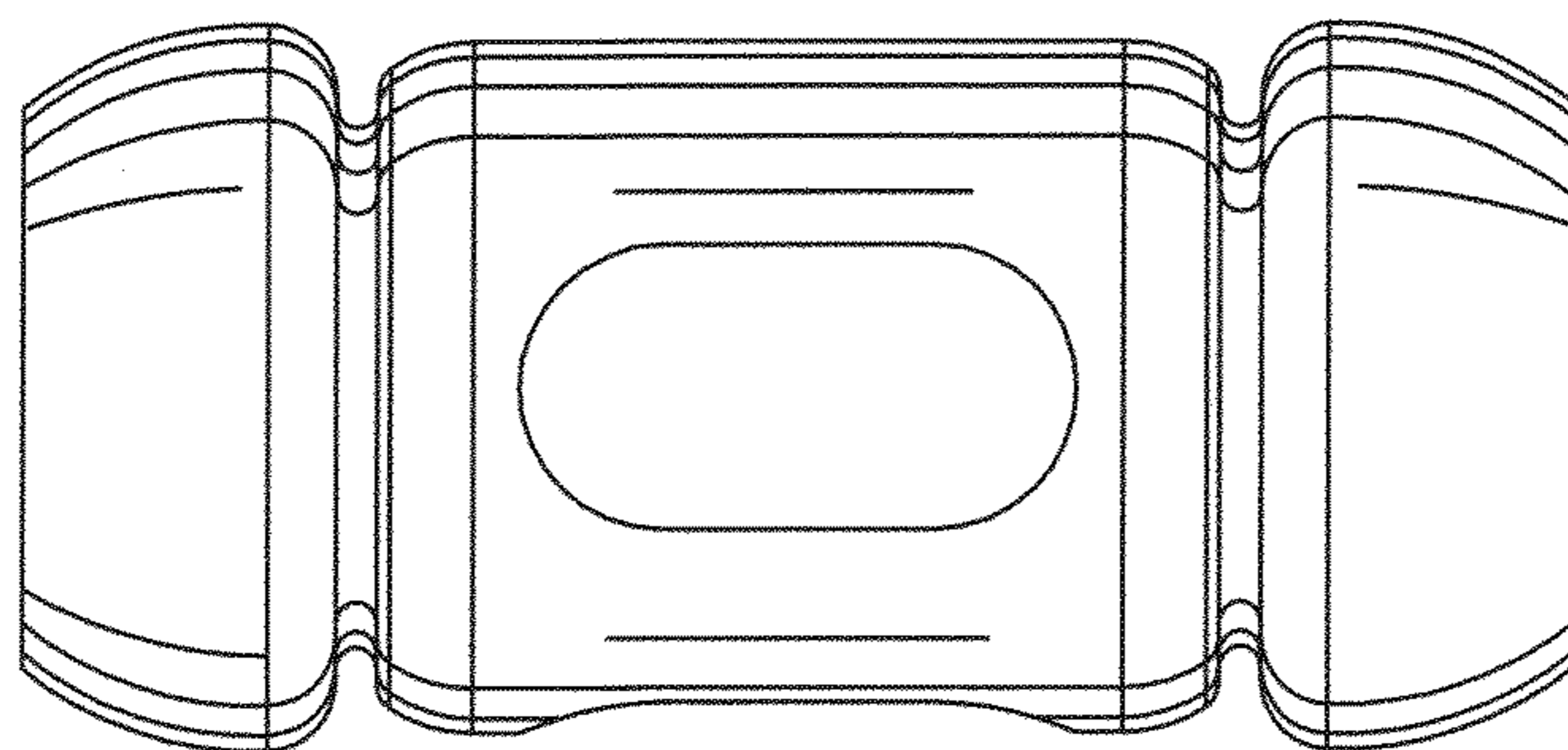


FIG. 5

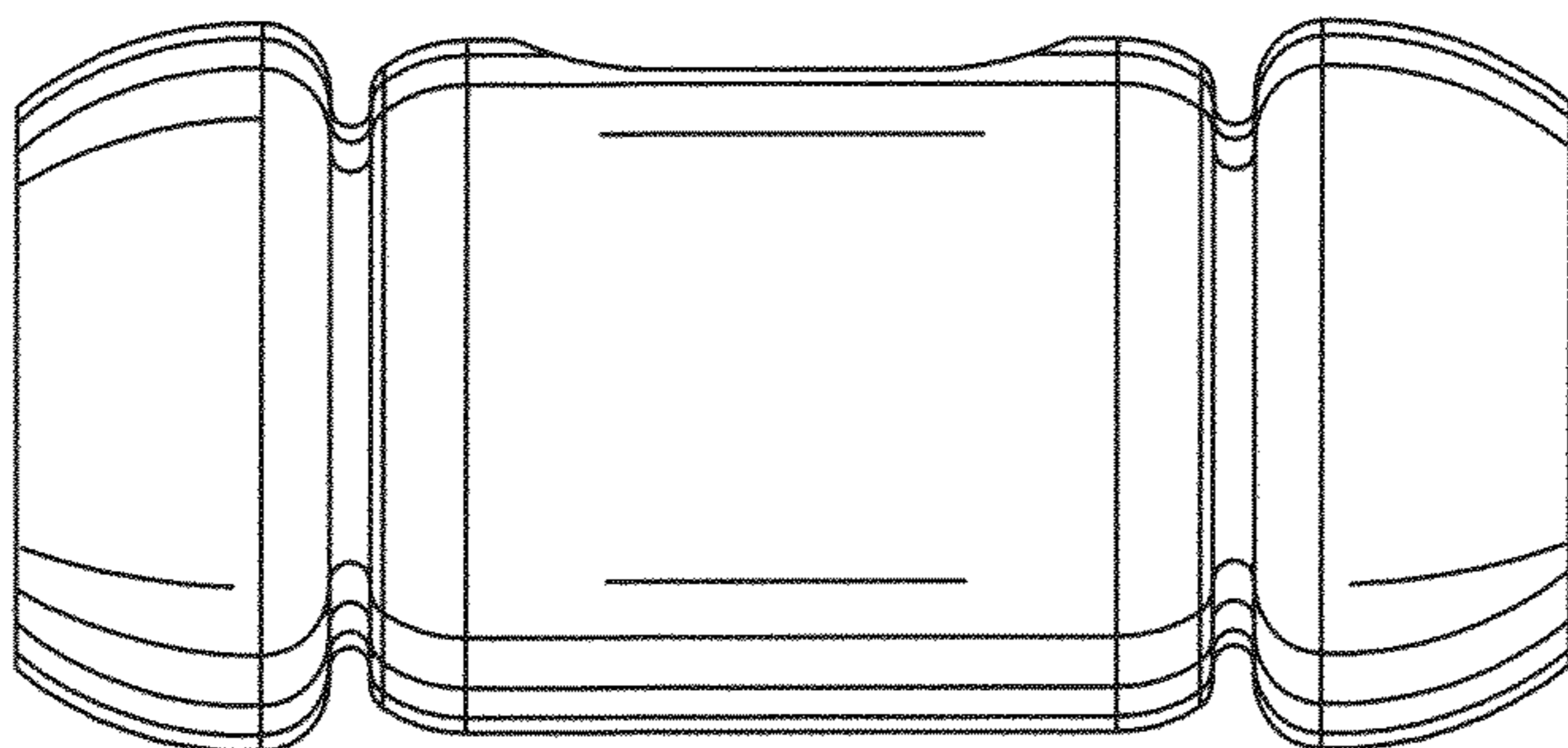


FIG. 4

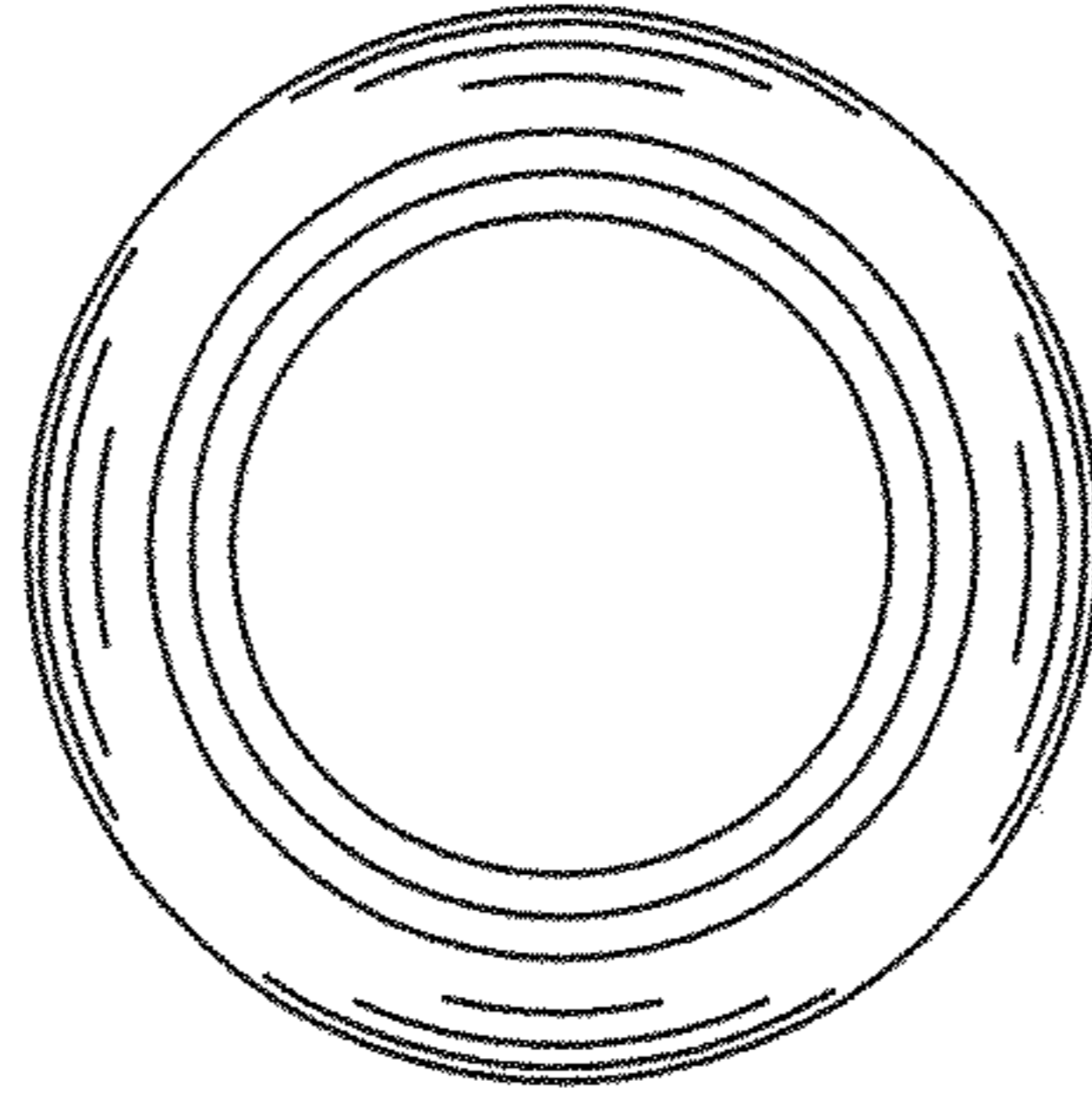


FIG. 7

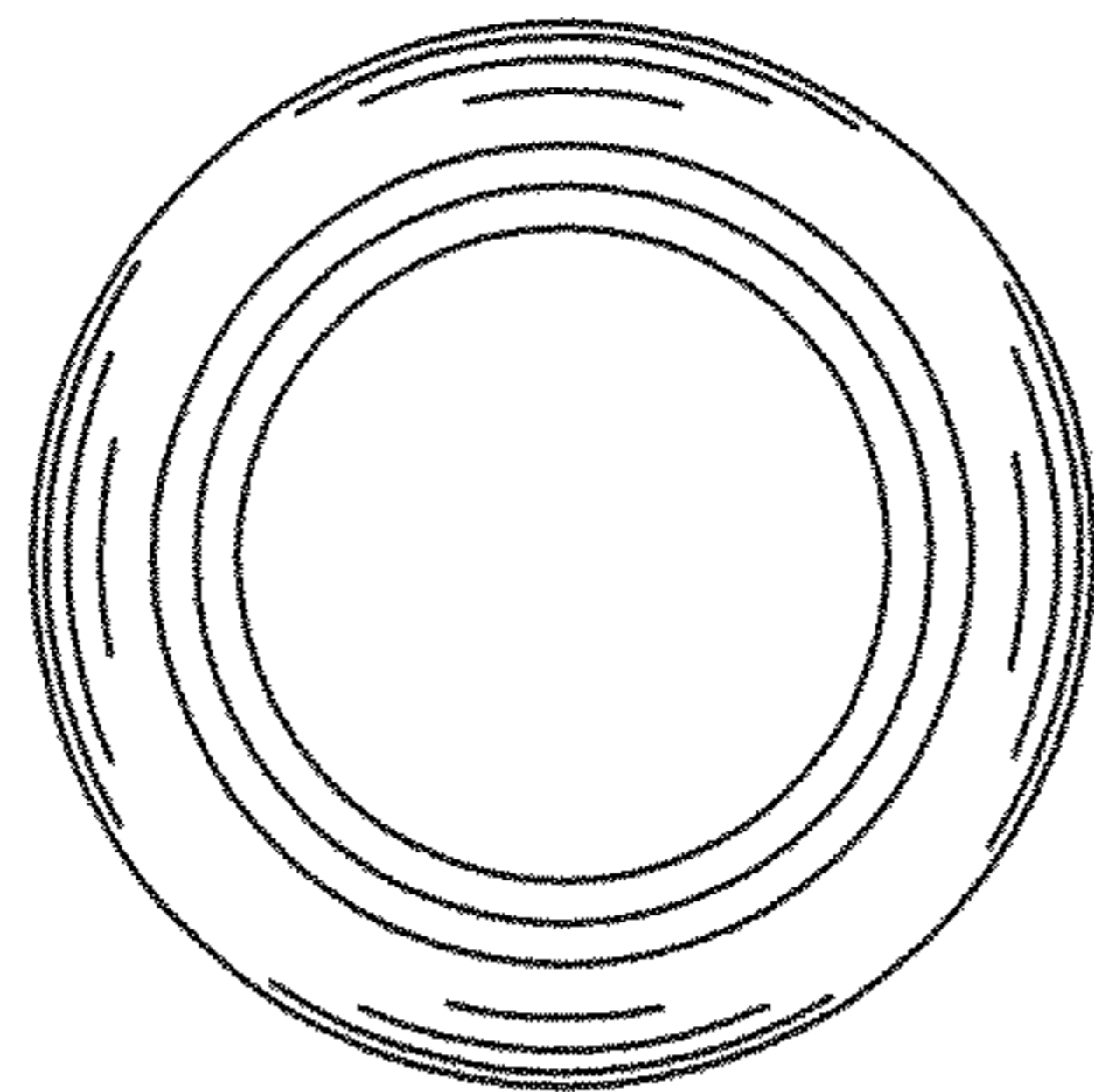


FIG. 6