



US00D732642S

(12) **United States Design Patent**  
**Morgan et al.**

(10) **Patent No.:** **US D732,642 S**  
(45) **Date of Patent:** **\*\* Jun. 23, 2015**

(54) **DIVING REGULATOR**

(71) Applicants: **William Morgan**, Santa Barbara, CA (US); **Pete Ryan**, Santa Maria, CA (US); **Trent Schultz**, Santa Barbara, CA (US)

(72) Inventors: **William Morgan**, Santa Barbara, CA (US); **Pete Ryan**, Santa Maria, CA (US); **Trent Schultz**, Santa Barbara, CA (US)

(73) Assignee: **KIRBY MORGAN DIVE SYSTEMS, INC.**, Santa Barbara, CA (US)

(\*\*) Term: **14 Years**

(21) Appl. No.: **29/480,171**

(22) Filed: **Jan. 23, 2014**

(51) **LOC (10) Cl.** ..... **23-01**

(52) **U.S. Cl.**  
USPC ..... **D23/235**

(58) **Field of Classification Search**

USPC ..... D23/233-250; 128/204.26, 201.27, 128/201.28, 205.12, 205.24, 200.25, 128/200.29; 137/494, 510; 251/359; 182/48  
CPC B63C 11/2227; B63C 11/2209; B63C 11/26; B63C 2011/2254; B63C 11/08; B63C 2011/085; B63C 2011/2218; B63C 2011/2281; B63C 11/06; B63C 11/186; B63C 11/2245; B63C 11/24; A62B 9/02; A62B 9/022; A62B 9/003

See application file for complete search history.

(56) **References Cited**

U.S. PATENT DOCUMENTS

3,224,444 A \* 12/1965 Dempster ..... 128/204.26  
4,002,166 A \* 1/1977 Oliver ..... 128/204.26  
4,266,538 A \* 5/1981 Ruchti ..... 128/204.26  
4,269,386 A \* 5/1981 Crowe ..... 251/74  
4,683,881 A \* 8/1987 Hansen et al. .... 128/204.26  
5,259,375 A \* 11/1993 Schuler ..... 128/205.24  
5,501,213 A \* 3/1996 Jackson ..... 128/205.24  
5,690,100 A \* 11/1997 Pomerantz ..... 128/205.24  
5,755,222 A \* 5/1998 Pansard et al. .... 128/204.27

5,775,323 A \* 7/1998 Knott ..... 128/202.27  
5,829,432 A \* 11/1998 Semeia ..... 128/201.27  
5,944,054 A \* 8/1999 Saieva ..... 137/625.4  
5,950,622 A \* 9/1999 Pomerantz ..... 128/204.26  
6,021,778 A \* 2/2000 Garofalo ..... 128/204.26  
6,354,291 B1 \* 3/2002 Brown et al. .... 128/200.29  
6,446,628 B1 \* 9/2002 Chen ..... 128/200.24  
6,626,178 B2 \* 9/2003 Morgan et al. .... 128/206.26  
6,681,766 B1 \* 1/2004 Matsuoka ..... 128/201.27  
6,715,488 B1 \* 4/2004 Matsuoka ..... 128/204.26  
6,718,976 B1 \* 4/2004 Matsuoka ..... 128/204.26  
6,718,977 B1 \* 4/2004 Matsuoka ..... 128/204.26  
6,735,149 B2 \* 5/2004 Pierot ..... 367/132  
6,957,652 B2 \* 10/2005 Matsuoka ..... 128/204.26  
7,174,892 B2 \* 2/2007 Pietrelli ..... 128/204.26  
7,347,206 B2 \* 3/2008 Pedemonte ..... 128/204.26  
7,455,061 B2 \* 11/2008 Morgan et al. .... 128/200.29  
7,571,726 B2 \* 8/2009 Parker ..... 128/204.26  
7,617,825 B2 \* 11/2009 Pedemonte ..... 128/204.26  
7,677,244 B2 \* 3/2010 Wharton et al. .... 128/201.27  
8,256,420 B2 \* 9/2012 Prete ..... 128/204.26  
8,360,054 B2 \* 1/2013 Peyron et al. .... 128/201.27  
8,857,431 B2 \* 10/2014 Gillotin et al. .... 128/204.26  
2004/0244796 A1 \* 12/2004 Semeia ..... 128/204.26  
2006/0124129 A1 \* 6/2006 Wharton et al. .... 128/204.26

\* cited by examiner

*Primary Examiner* — Cynthia Ramirez

*Assistant Examiner* — Gino Colan

(74) *Attorney, Agent, or Firm* — Cislo & Thomas, LLP

(57) **CLAIM**

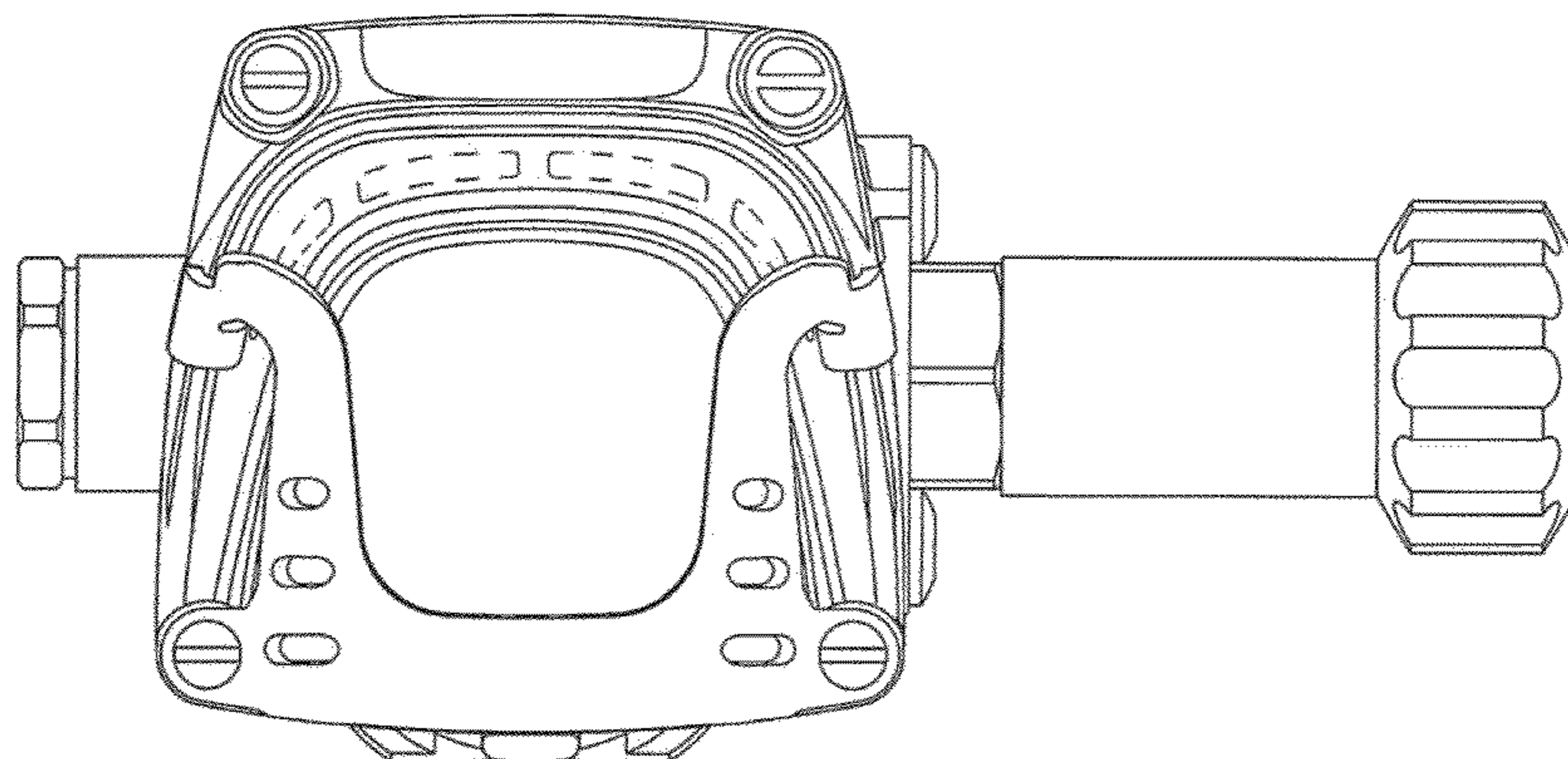
The ornamental design for a diving regulator, as shown and described.

**DESCRIPTION**

FIG. 1 is a front view of our diving regulator;  
FIG. 2 is a top left perspective view thereof;  
FIG. 3 is a left side view thereof;  
FIG. 4 is a top right perspective view thereof;  
FIG. 5 is a right side view thereof;  
FIG. 6 is a top view thereof;  
FIG. 7 is a front view showing environmental features thereof; and,  
FIG. 8 is a perspective view showing environmental features thereof.

The broken lines are for environmental purposes only and form no part of the claimed design.

**1 Claim, 8 Drawing Sheets**



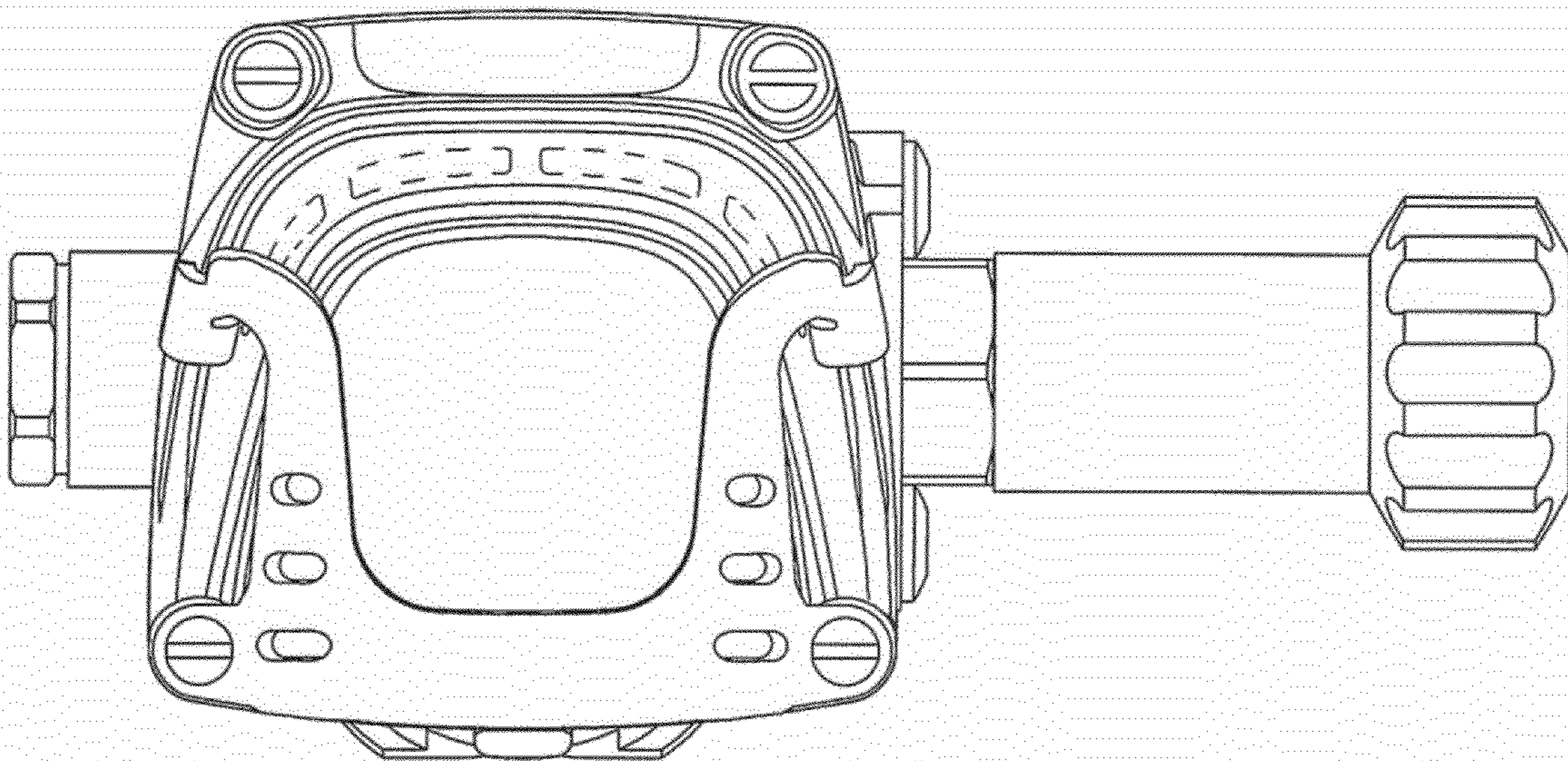


Fig. 1

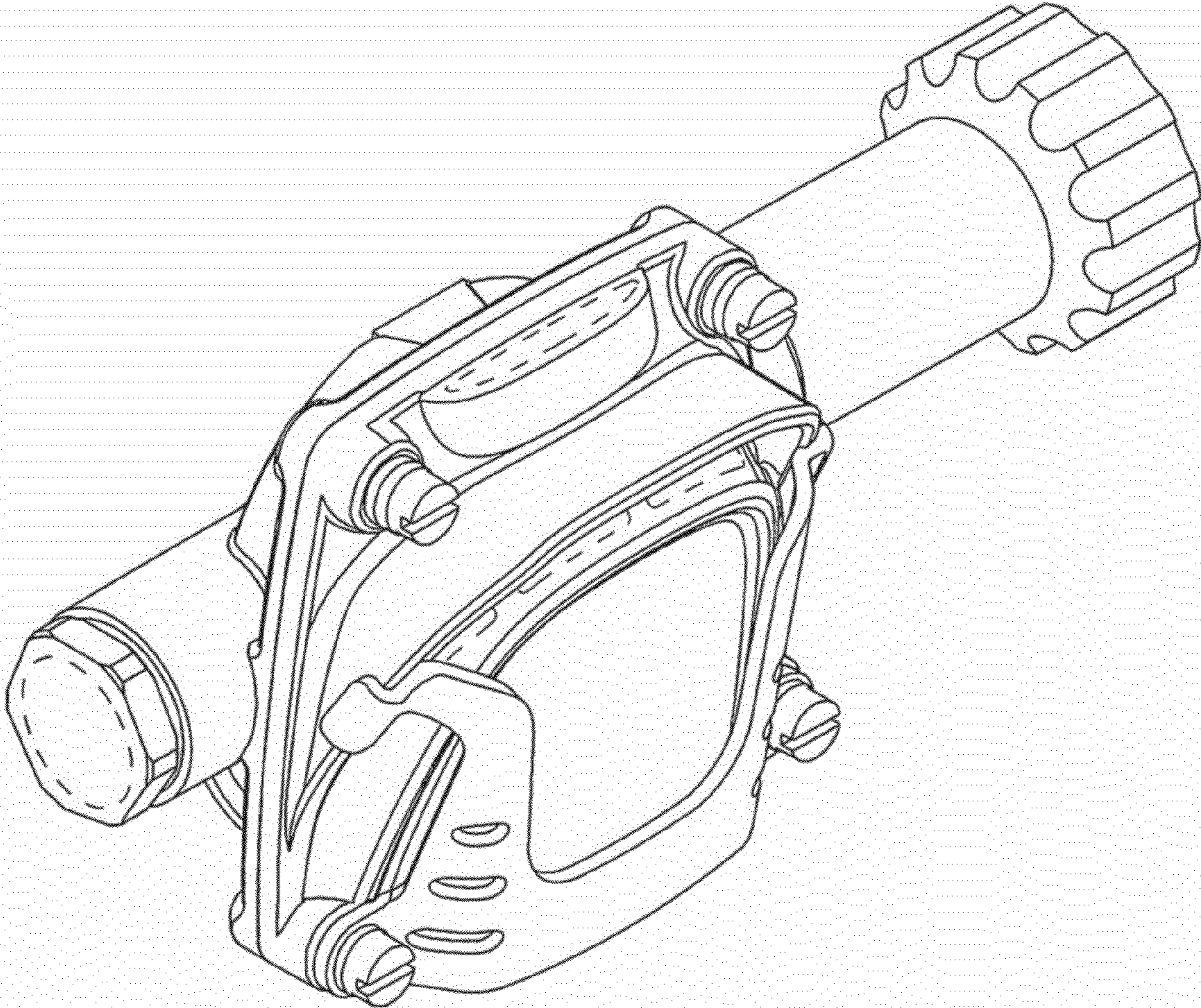


Fig. 2

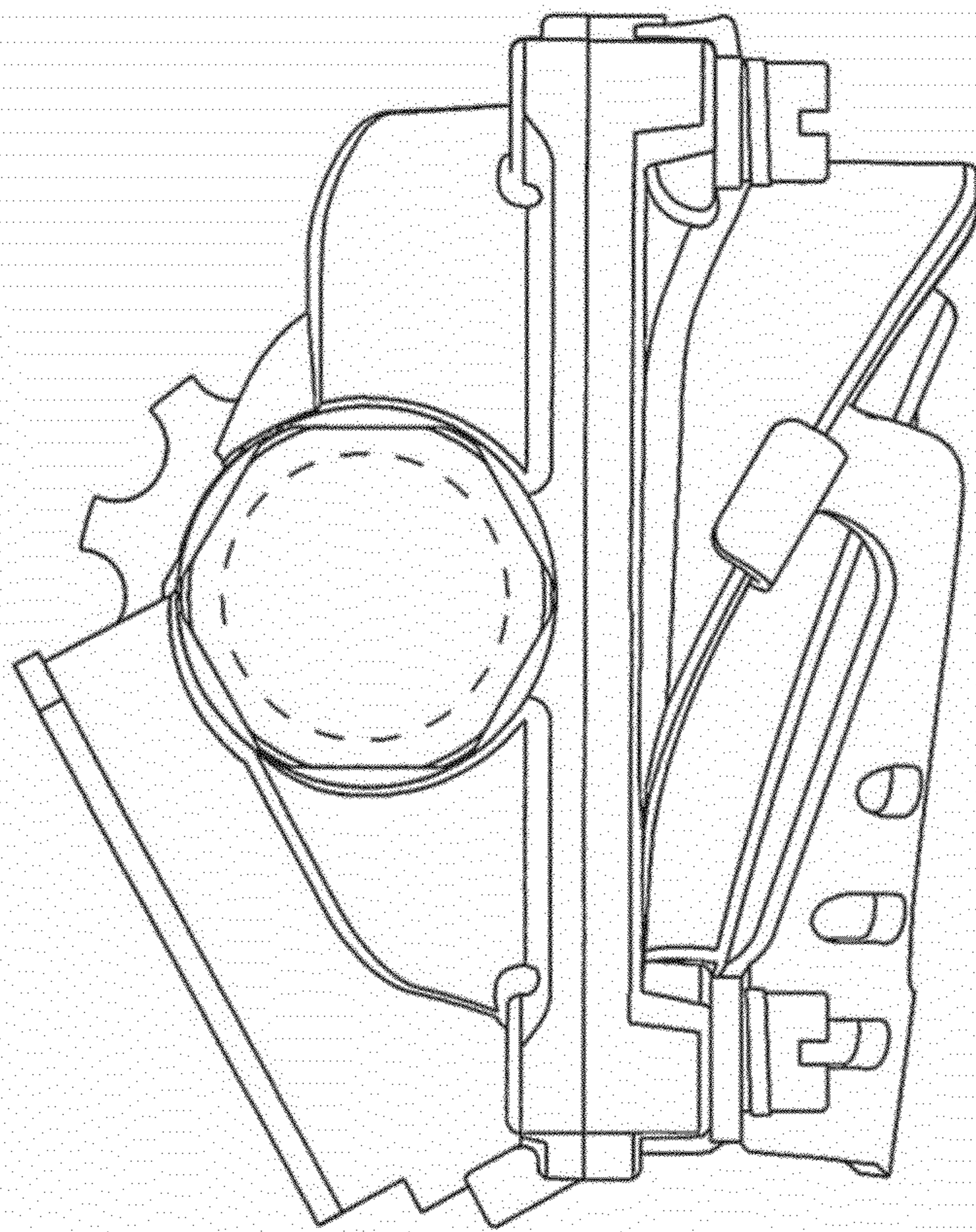


Fig. 3

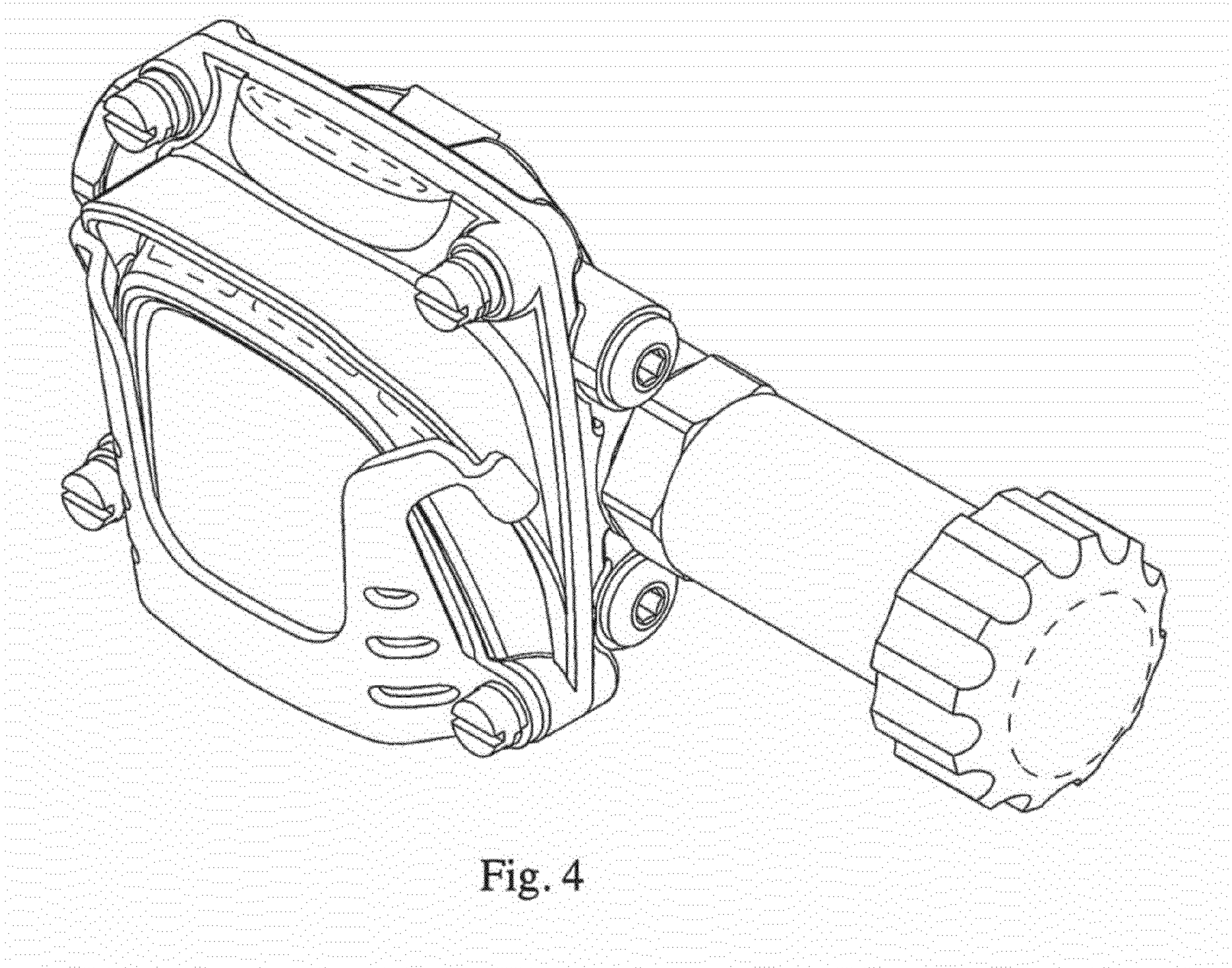
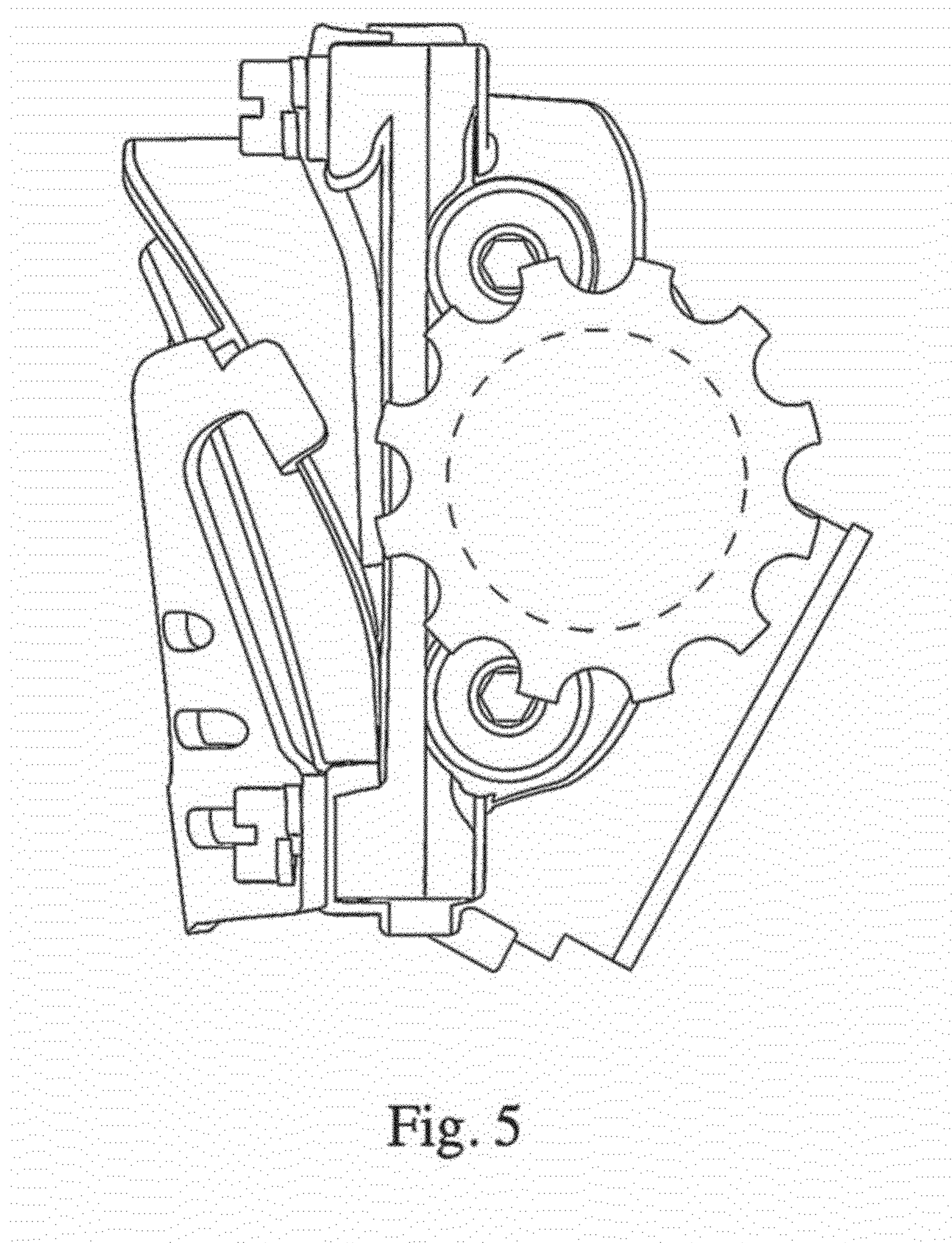


Fig. 4



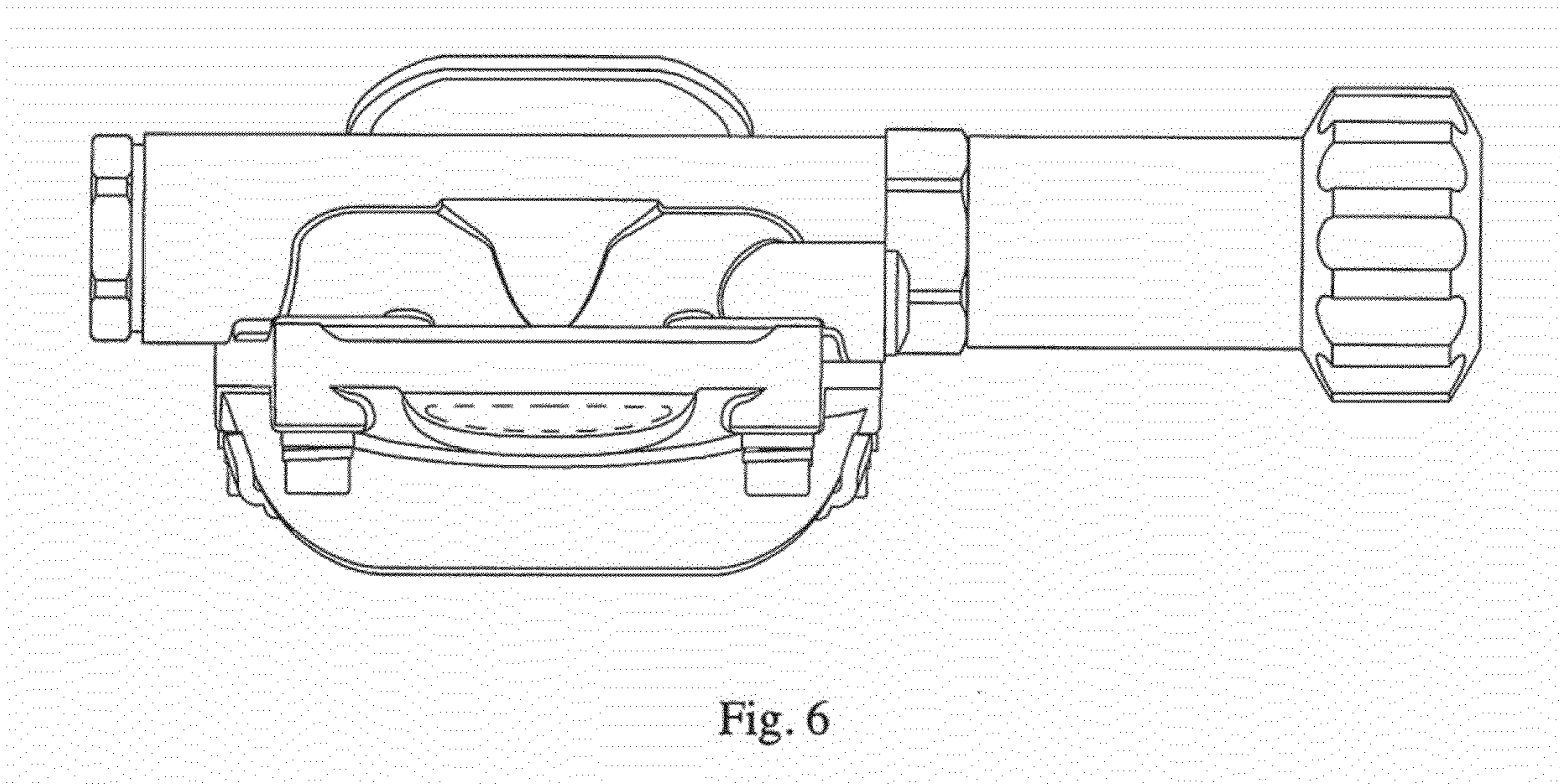


Fig. 6

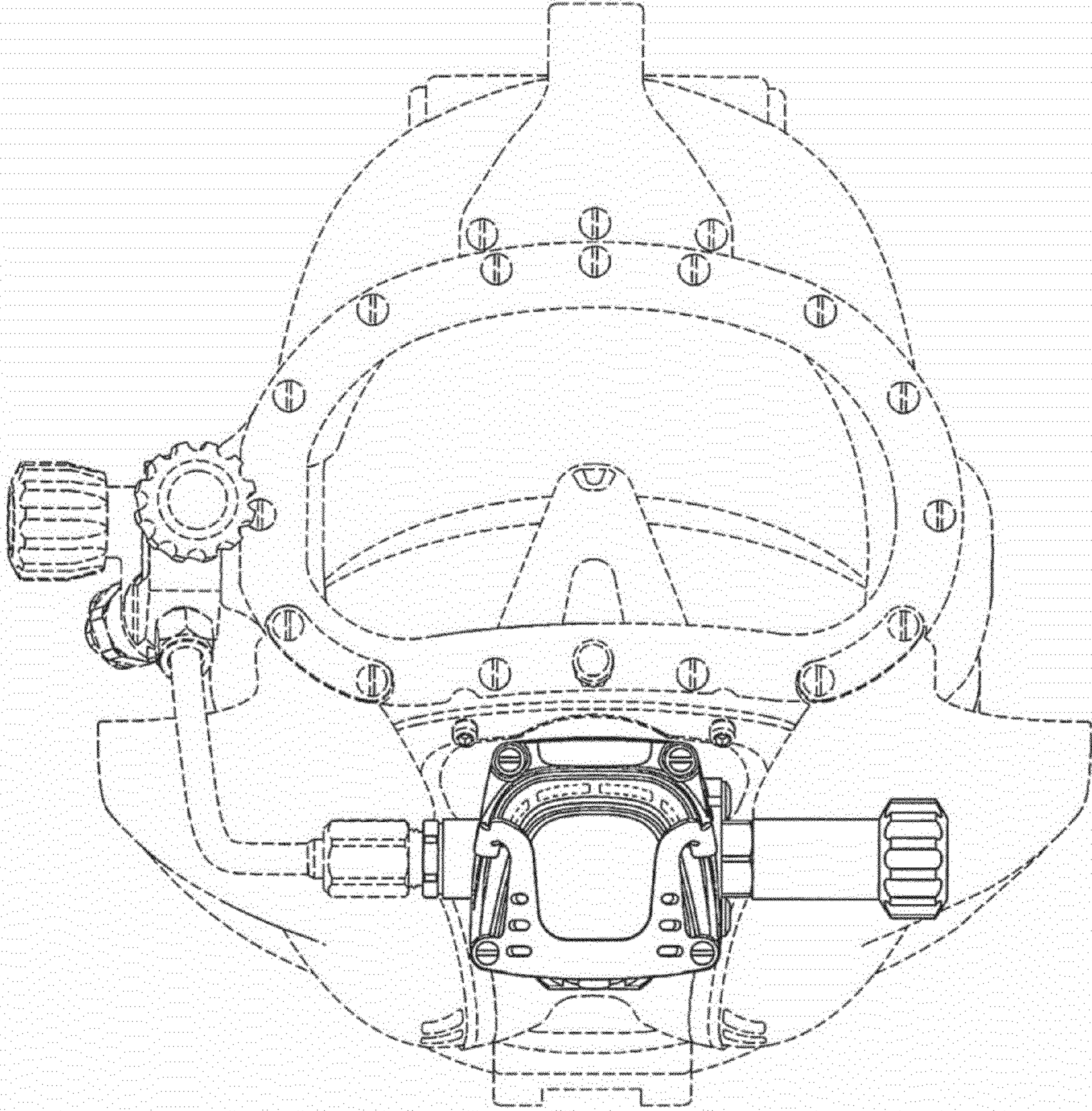


Fig. 7



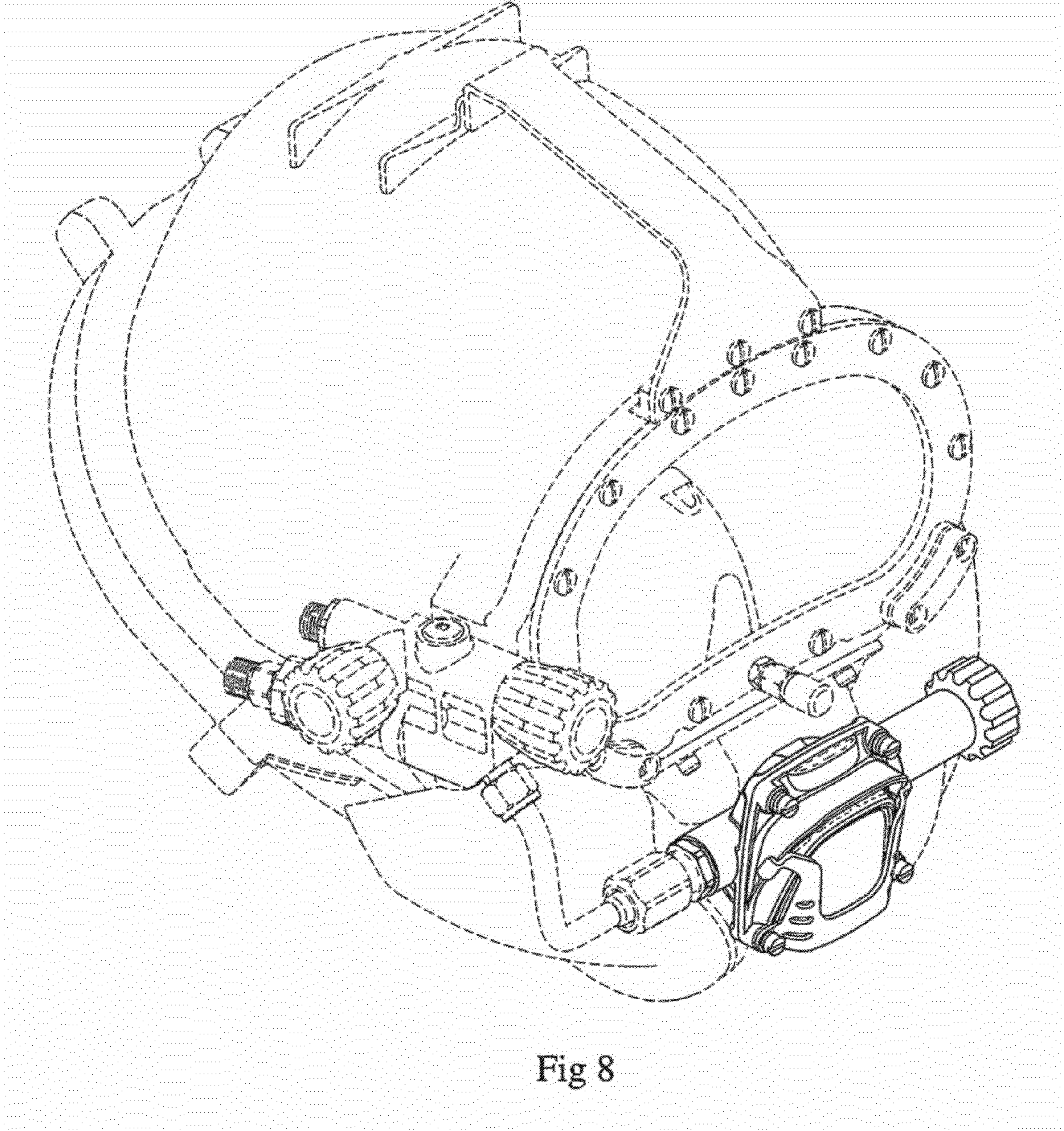


Fig 8