



US00D732641S

(12) **United States Design Patent**
Hermann

(10) **Patent No.:** **US D732,641 S**
(45) **Date of Patent:** **** Jun. 23, 2015**

(54) **VALVES**

(71) Applicant: **Frank Hermann**, Rositz (DE)

(72) Inventor: **Frank Hermann**, Rositz (DE)

(73) Assignee: **BITZER Kuehlmaschinenbau GmbH**, Sindelfingen (DE)

(**) Term: **14 Years**

(21) Appl. No.: **29/434,711**

(22) Filed: **Oct. 16, 2012**

(30) **Foreign Application Priority Data**

Apr. 17, 2012	(EM)	002027573
Apr. 17, 2012	(EM)	002027573-0001
Apr. 17, 2012	(EM)	002027573-0002
Apr. 17, 2012	(EM)	002027573-0003
Apr. 17, 2012	(EM)	002027573-0004
Apr. 17, 2012	(EM)	002027573-0005
Apr. 17, 2012	(EM)	002027573-0006
Apr. 17, 2012	(EM)	002027573-0007
Apr. 17, 2012	(EM)	002027573-0008

(51) **LOC (10) Cl.** **23-01**

(52) **U.S. Cl.**
USPC **D23/233**

(58) **Field of Classification Search**
USPC D23/233-237, 244-249; D15/9;
137/455, 460, 469, 470, 477, 478,
137/505.37, 505.42, 505.46, 505.47, 607,
137/625.25

See application file for complete search history.

(56) **References Cited**

U.S. PATENT DOCUMENTS

D198,428 S * 6/1964 Cordis et al. D23/236
D297,560 S * 9/1988 LeBreton D23/233

(Continued)

OTHER PUBLICATIONS

U.S. Appl. No. 29/416,336, filed Mar. 21, 2012, Kienzle.

Primary Examiner — Cynthia Ramirez

(74) *Attorney, Agent, or Firm* — Reinhart Boerner Van Deuren P.C.

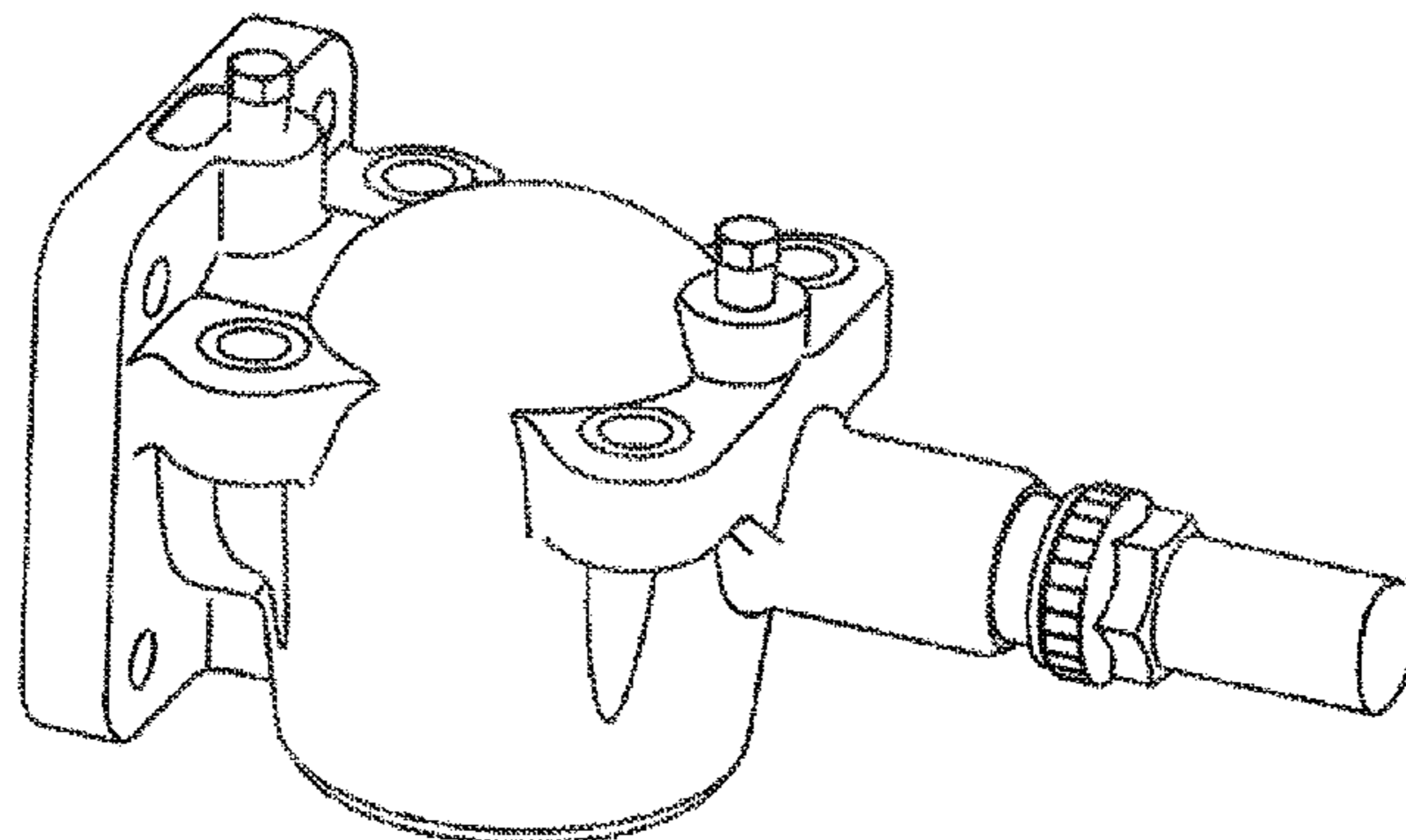
(57) **CLAIM**

I claim the ornamental design for a valve, as shown and described.

DESCRIPTION

FIG. 1 is a bottom view of a valve according to a first embodiment of the present design;
 FIG. 2 is a right side view of the valve of FIG. 1;
 FIG. 3 is a front view of the valve of FIG. 1;
 FIG. 4 is a left side view of the valve of FIG. 1;
 FIG. 5 is a top view of the valve of FIG. 1;
 FIG. 6 is a back view of the valve, with the view taken upside down, of the valve of FIG. 1;
 FIG. 7 is an isometric view of the valve of FIG. 1;
 FIG. 8 is a bottom view of a valve according to a second embodiment of the present design;
 FIG. 9 is a right side view of the valve of FIG. 8;
 FIG. 10 is a front view of the valve of FIG. 8;
 FIG. 11 is a left side view of the valve of FIG. 8;
 FIG. 12 is a top view of the valve of FIG. 8;
 FIG. 13 is a back view of the valve, with the view taken upside down, of the valve of FIG. 8;
 FIG. 14 is an isometric view of the valve of FIG. 8;
 FIG. 15 is a bottom view of a valve according to a third embodiment of the present design;
 FIG. 16 is a right side view of the valve of FIG. 15;
 FIG. 17 is a front view of the valve of FIG. 15;
 FIG. 18 is a left side view of the valve of FIG. 15;
 FIG. 19 is a top view of the valve of FIG. 15;
 FIG. 20 is a back view of the valve, with the view taken upside down, of the valve of FIG. 15;
 FIG. 21 is an isometric view of the valve of FIG. 15;
 FIG. 22 is a bottom view of a valve according to a fourth embodiment of the present design;
 FIG. 23 is a right side view of the valve of FIG. 22;
 FIG. 24 is a front view of the valve of FIG. 22; FIG. 25 is a left side view of the valve of FIG. 22;
 FIG. 26 is a top view of the valve of FIG. 22;
 FIG. 27 is a back view of the valve, with the view taken upside down, of the valve of FIG. 22; and,
 FIG. 28 is an isometric view of the valve of FIG. 22.

1 Claim, 28 Drawing Sheets



(56)

References Cited

U.S. PATENT DOCUMENTS

5,370,151	A *	12/1994	Smart	137/468
D357,735	S *	4/1995	McPhee	D24/129
D394,068	S	5/1998	Pollich et al.	
D413,374	S *	8/1999	Tine, Jr.	D23/233
D467,254	S	12/2002	Ullrich	
D479,247	S	9/2003	Ullrich	
D531,194	S	10/2006	Hertenstein et al.	
D538,826	S	3/2007	Kienzle	
D541,905	S *	5/2007	Yajima et al.	D23/233
D595,748	S	7/2009	Kratschmer	
D634,813	S *	3/2011	Hernandez, IV	D23/233
D655,393	S *	3/2012	Whitaker	D23/233
D681,782	S *	5/2013	Bohm et al.	D23/233
D700,284	S *	2/2014	Hansen	D23/233
D702,320	S *	4/2014	Pifer	D23/233
D711,510	S *	8/2014	Halldorsson	D23/233
2004/0182442	A1 *	9/2004	Frampton et al.	137/460
2009/0107563	A1 *	4/2009	Eichler	137/460
2010/0193048	A1 *	8/2010	Chang	137/460

* cited by examiner

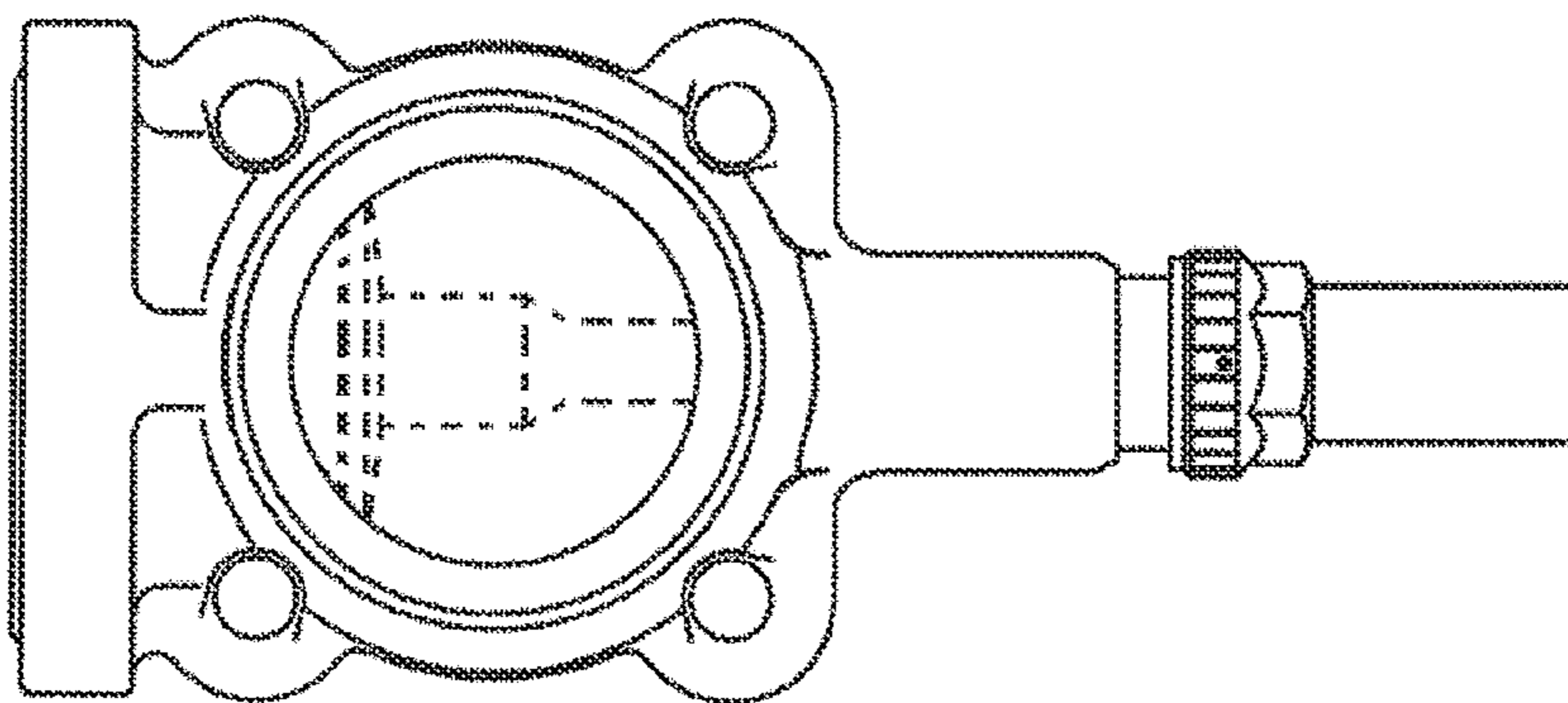


FIG. 1

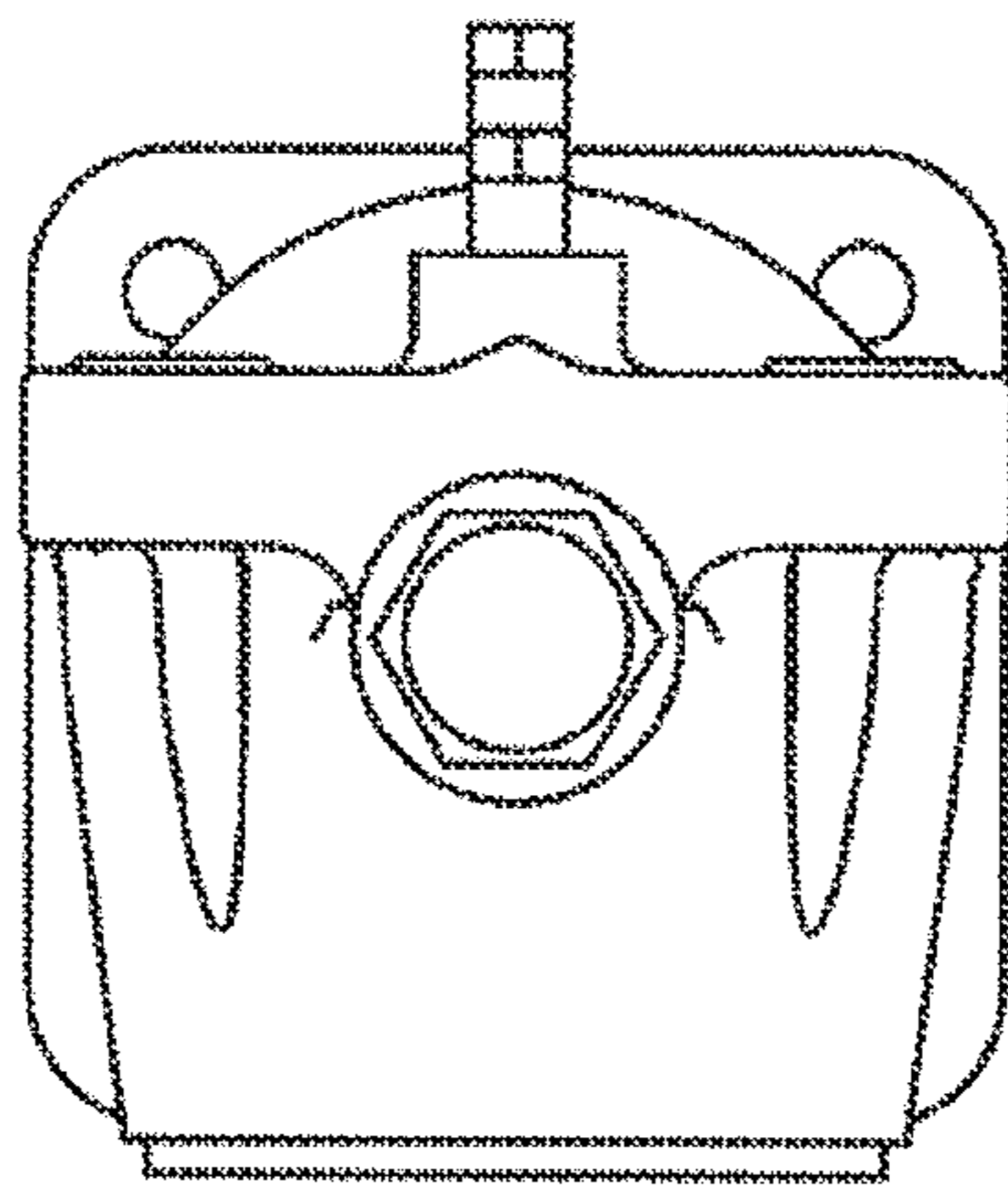


FIG. 2

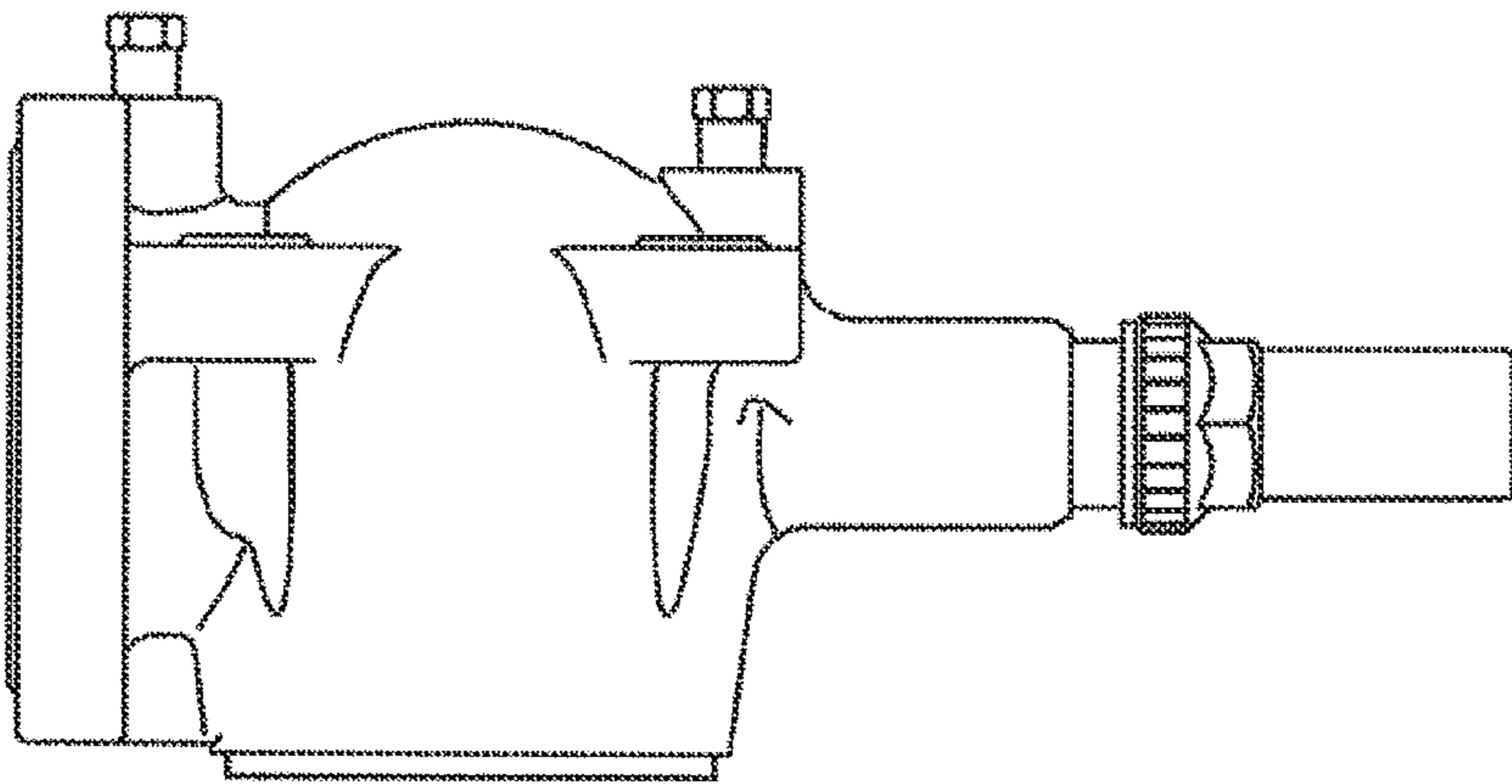


FIG. 3

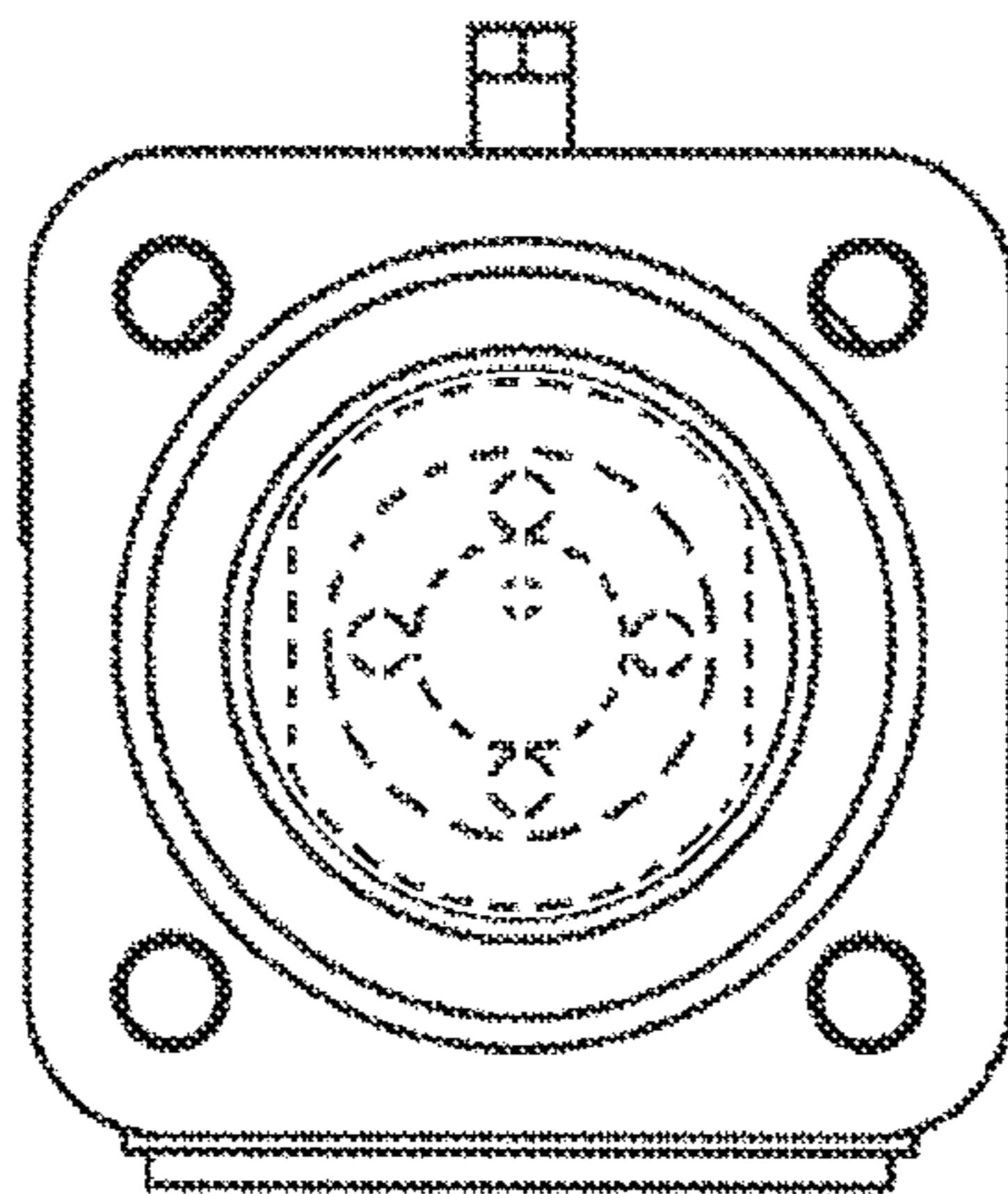


FIG. 4

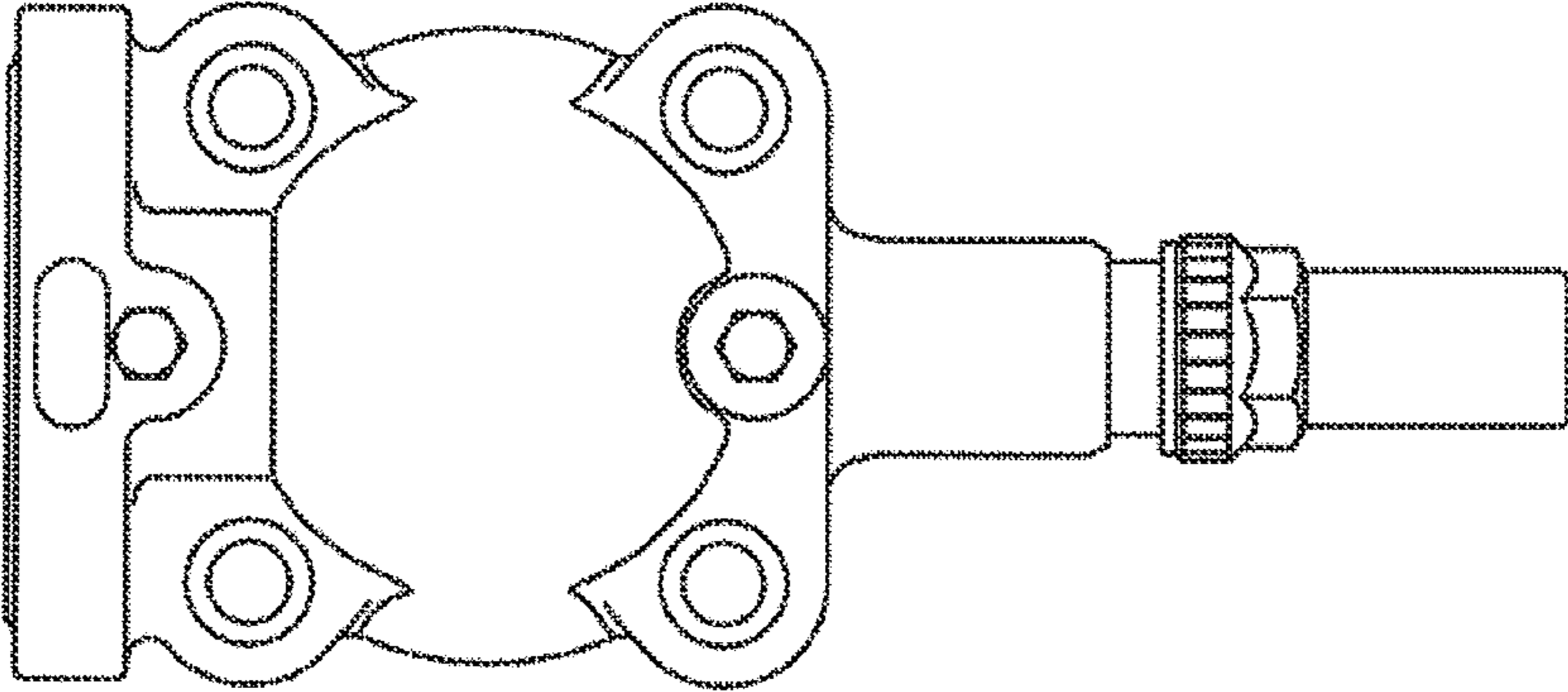


FIG. 5

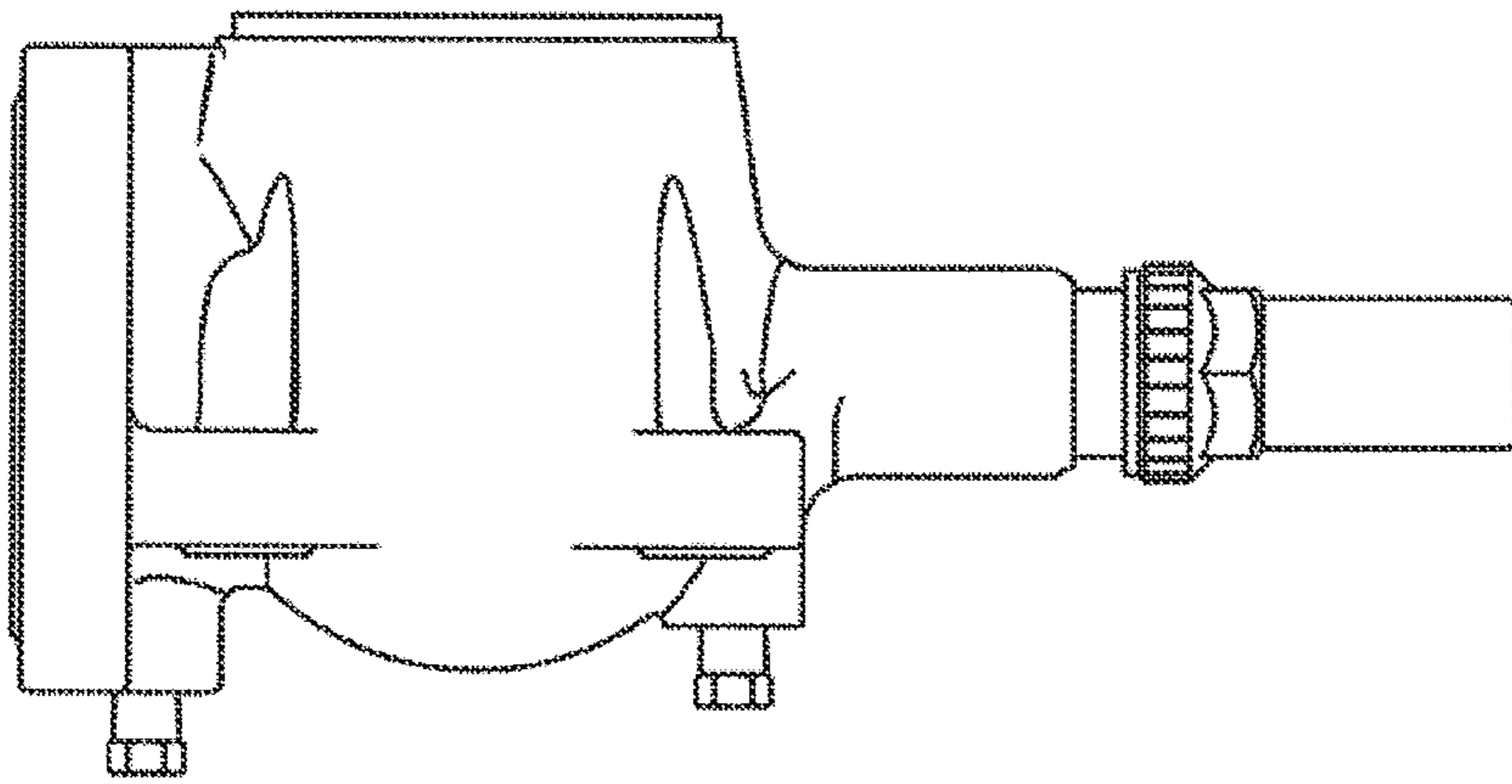


FIG. 6

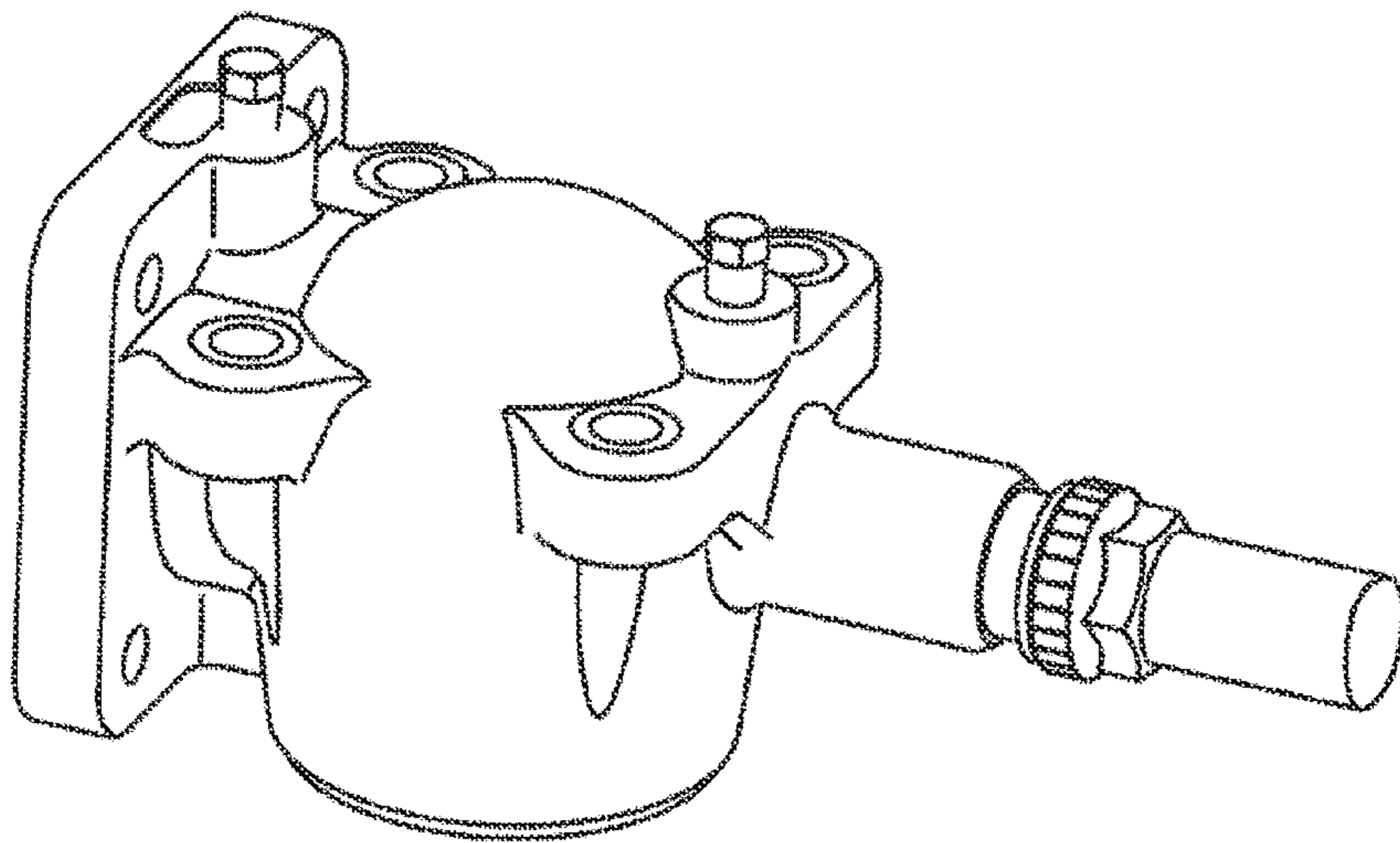


FIG. 7

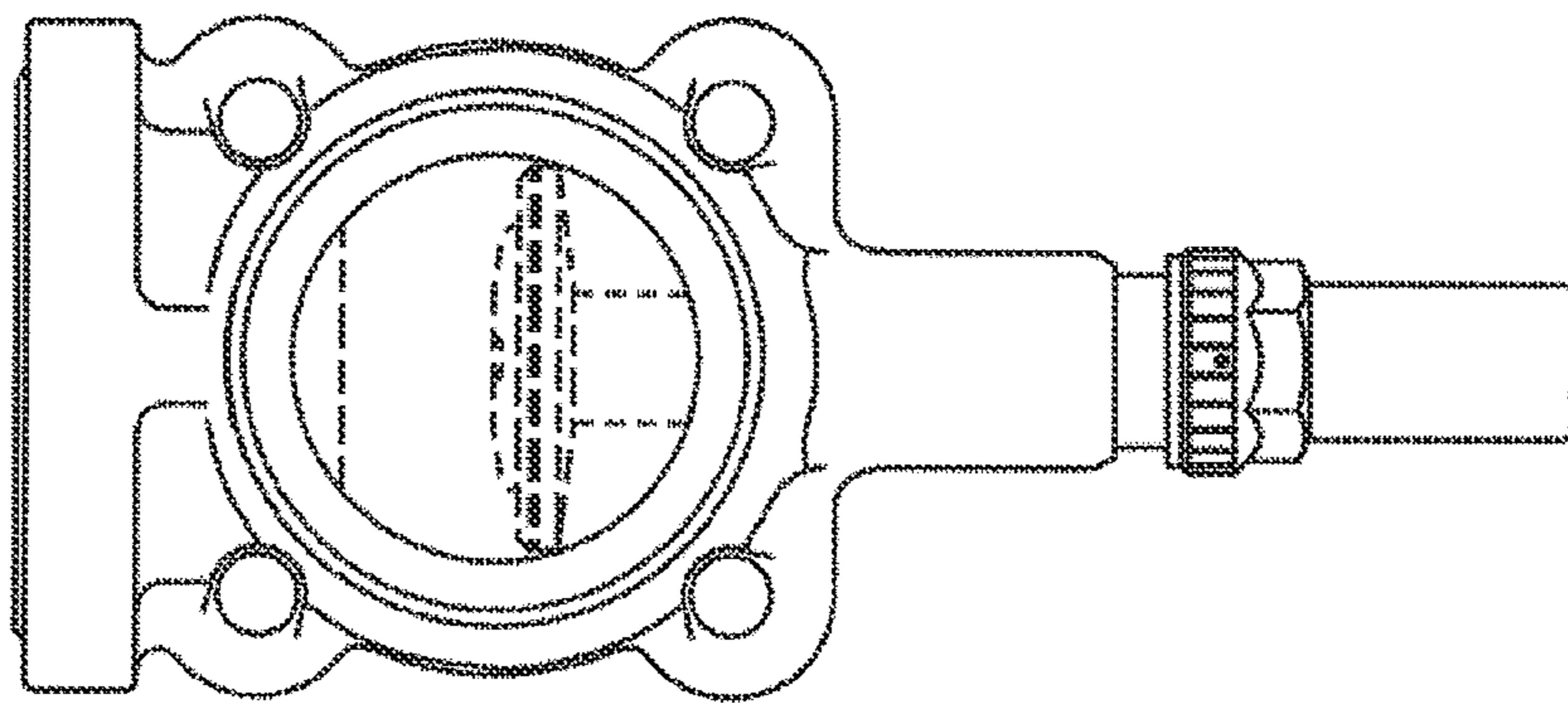


FIG. 8

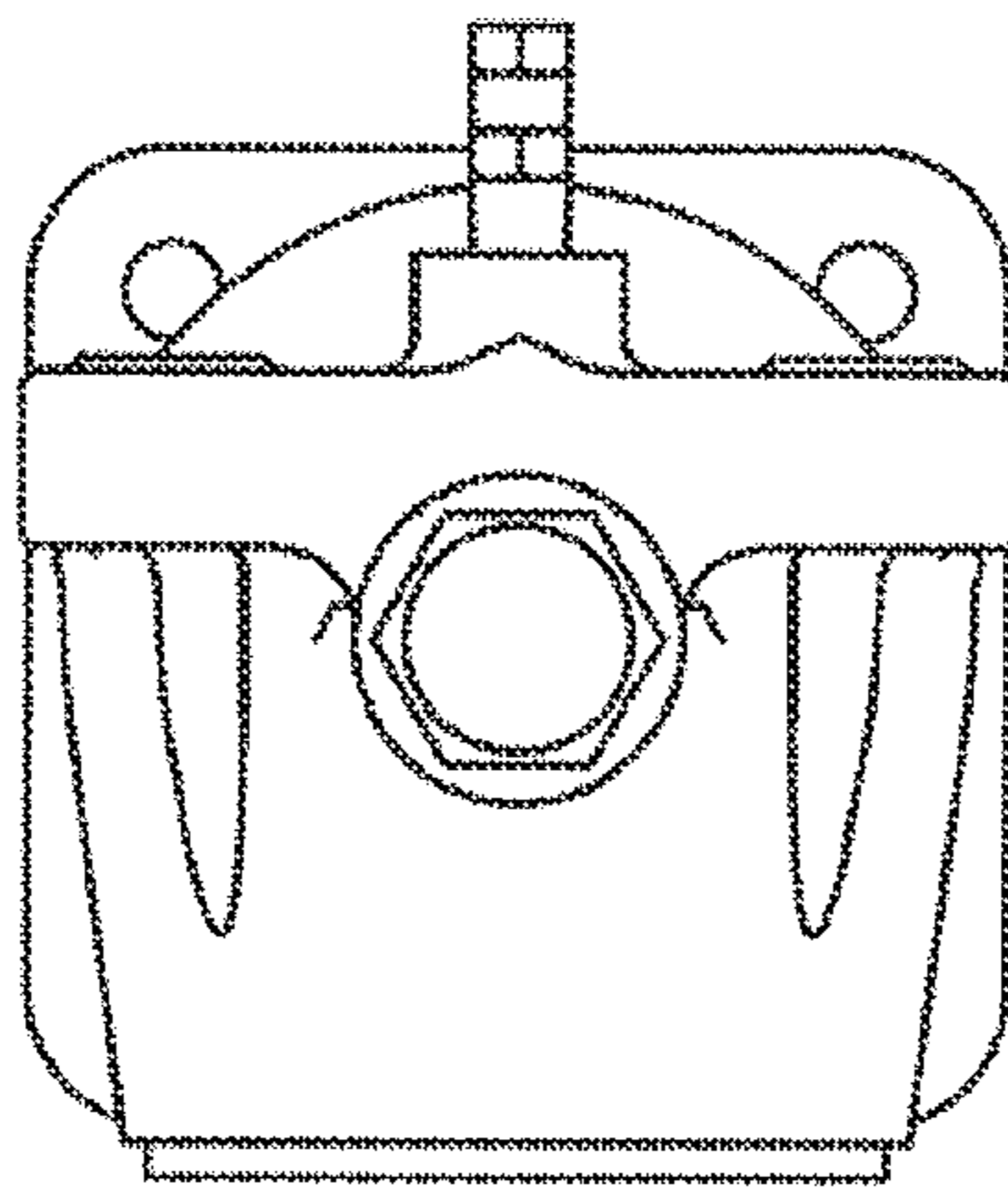


FIG. 9

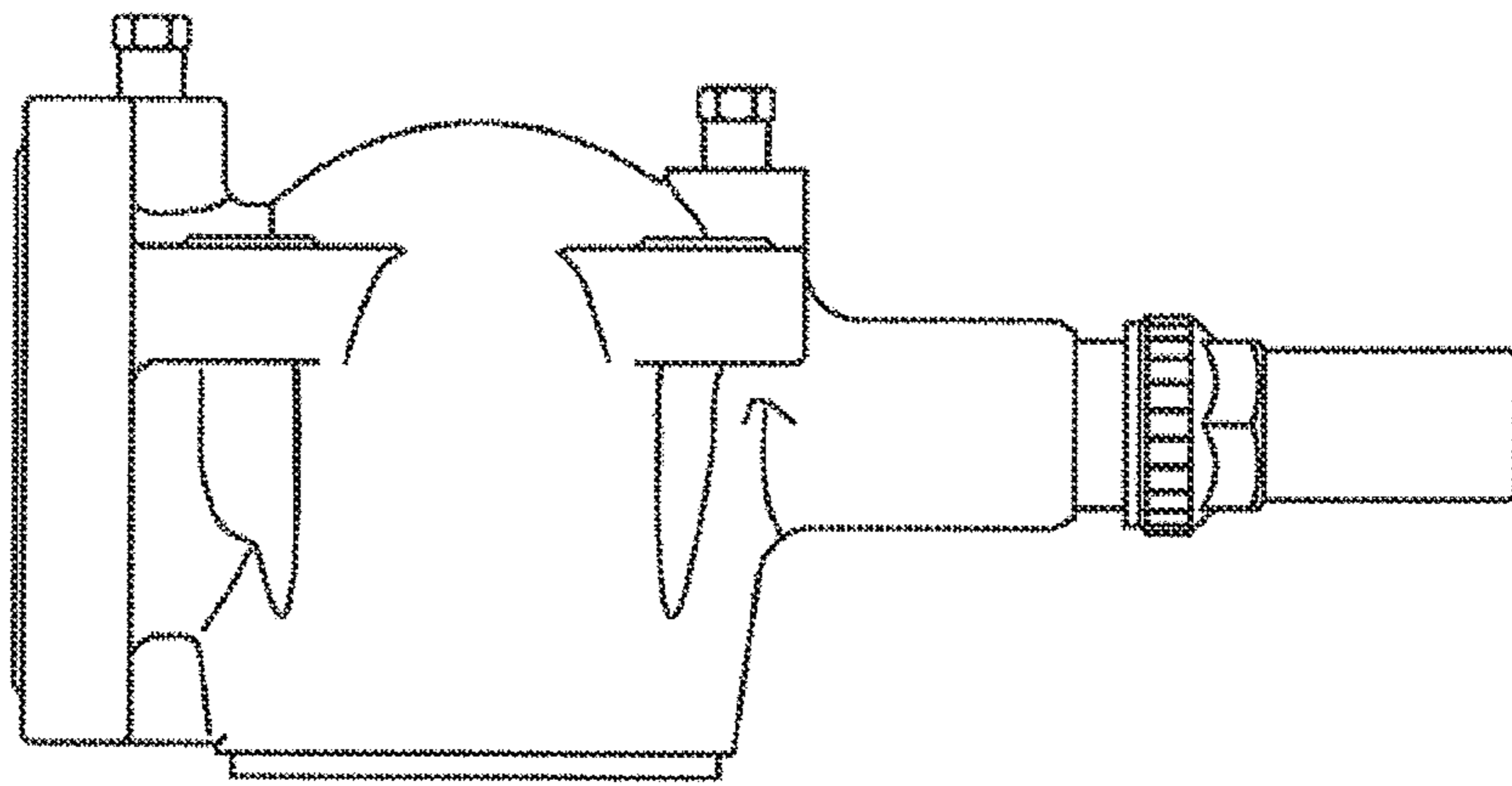


FIG. 10

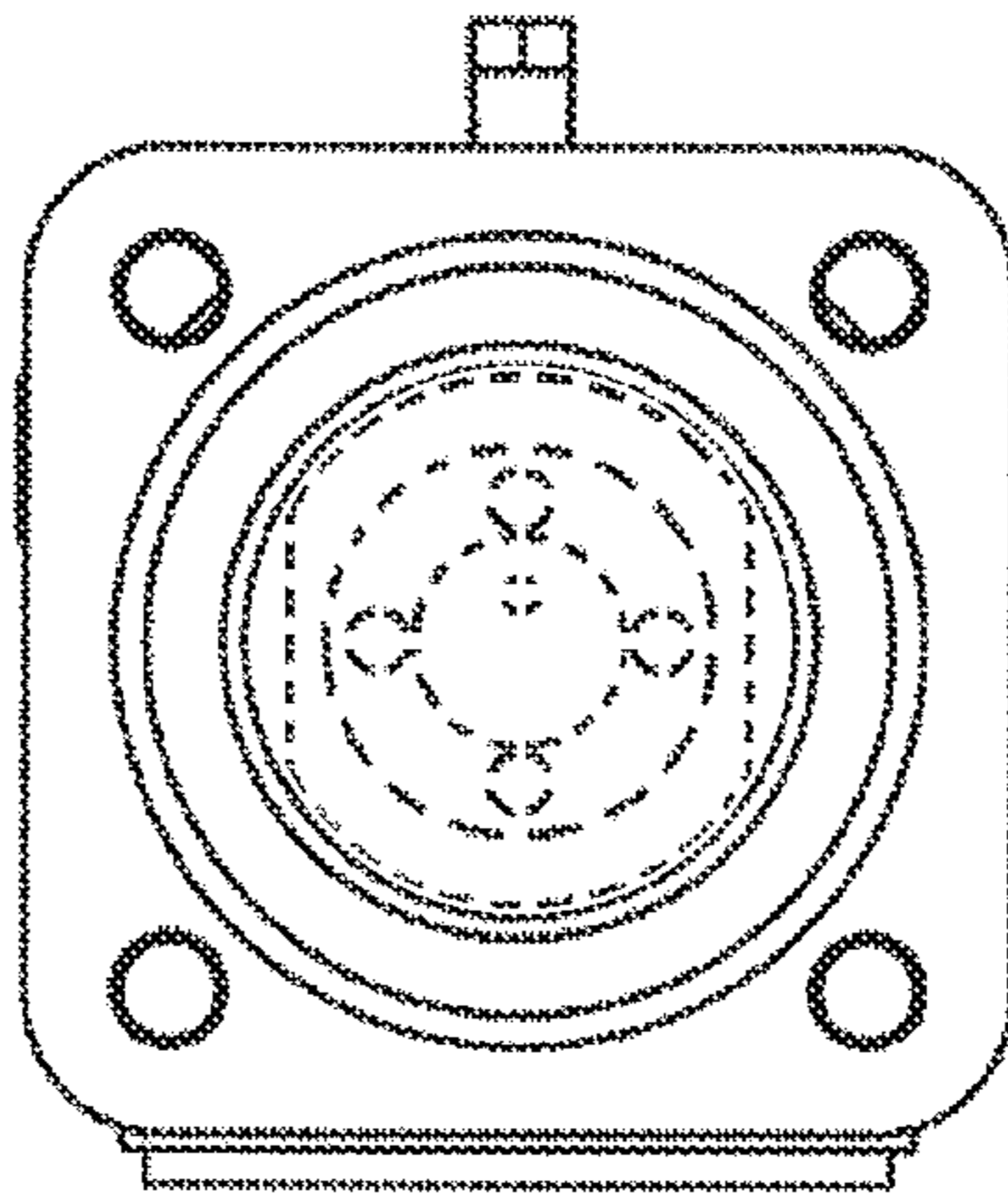


FIG. 11

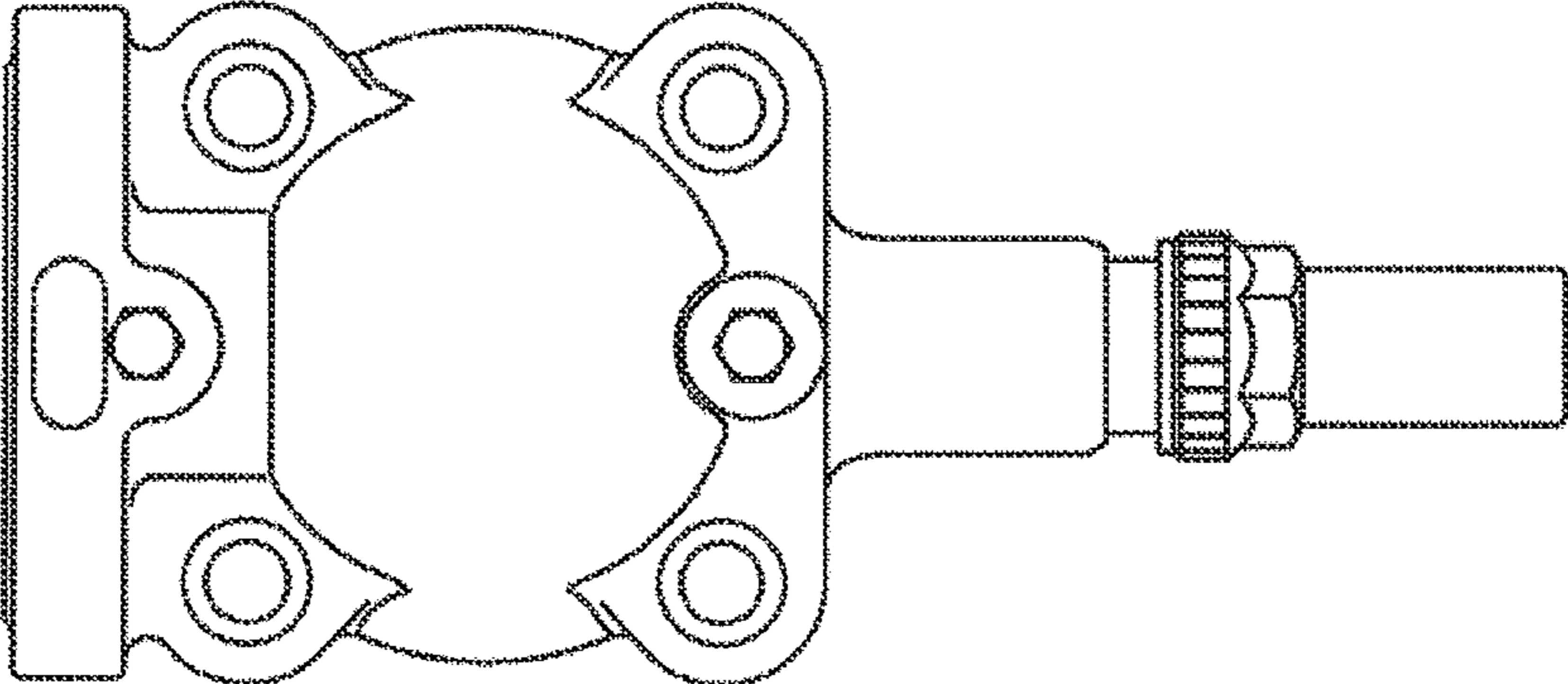


FIG. 12

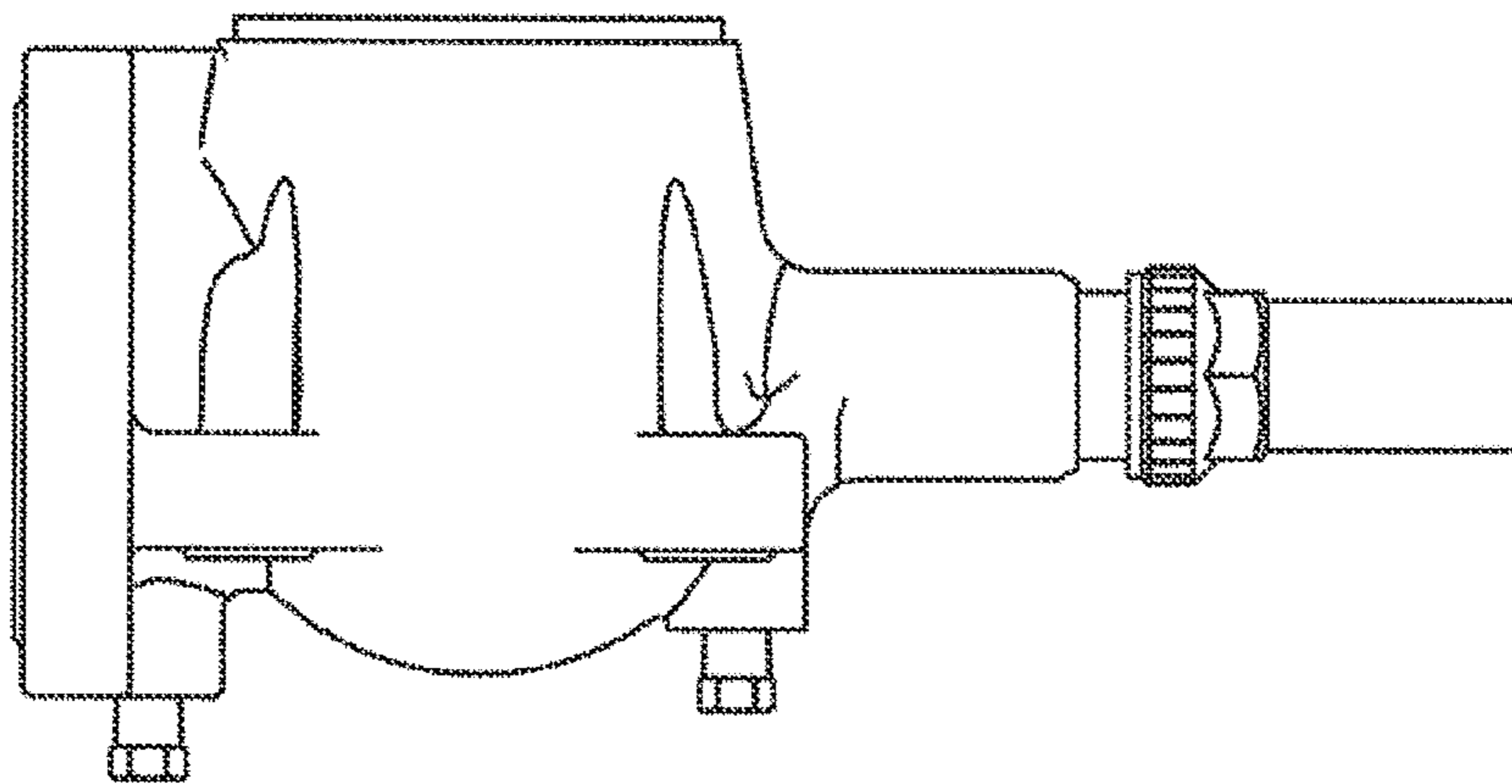


FIG. 13

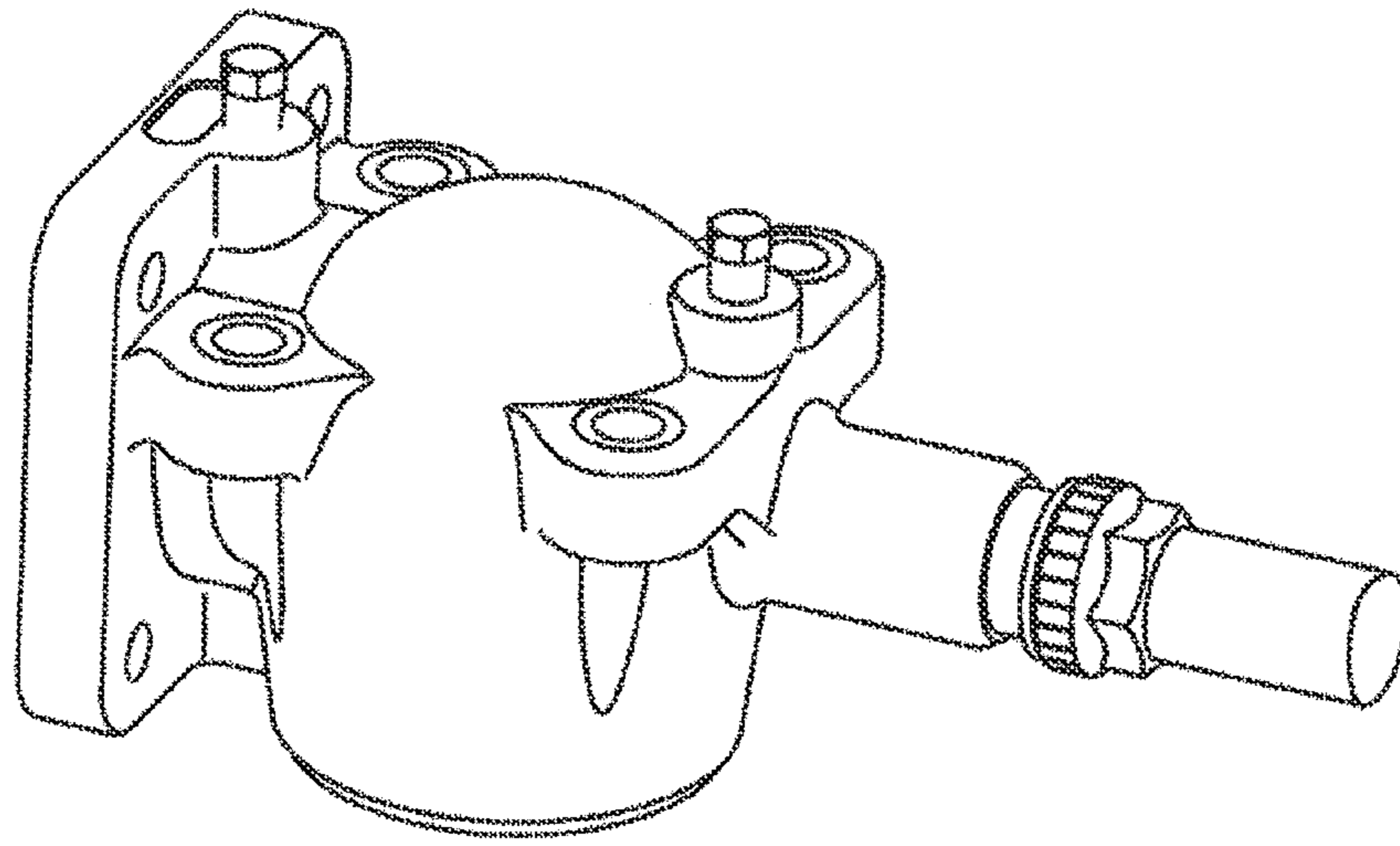


FIG. 14

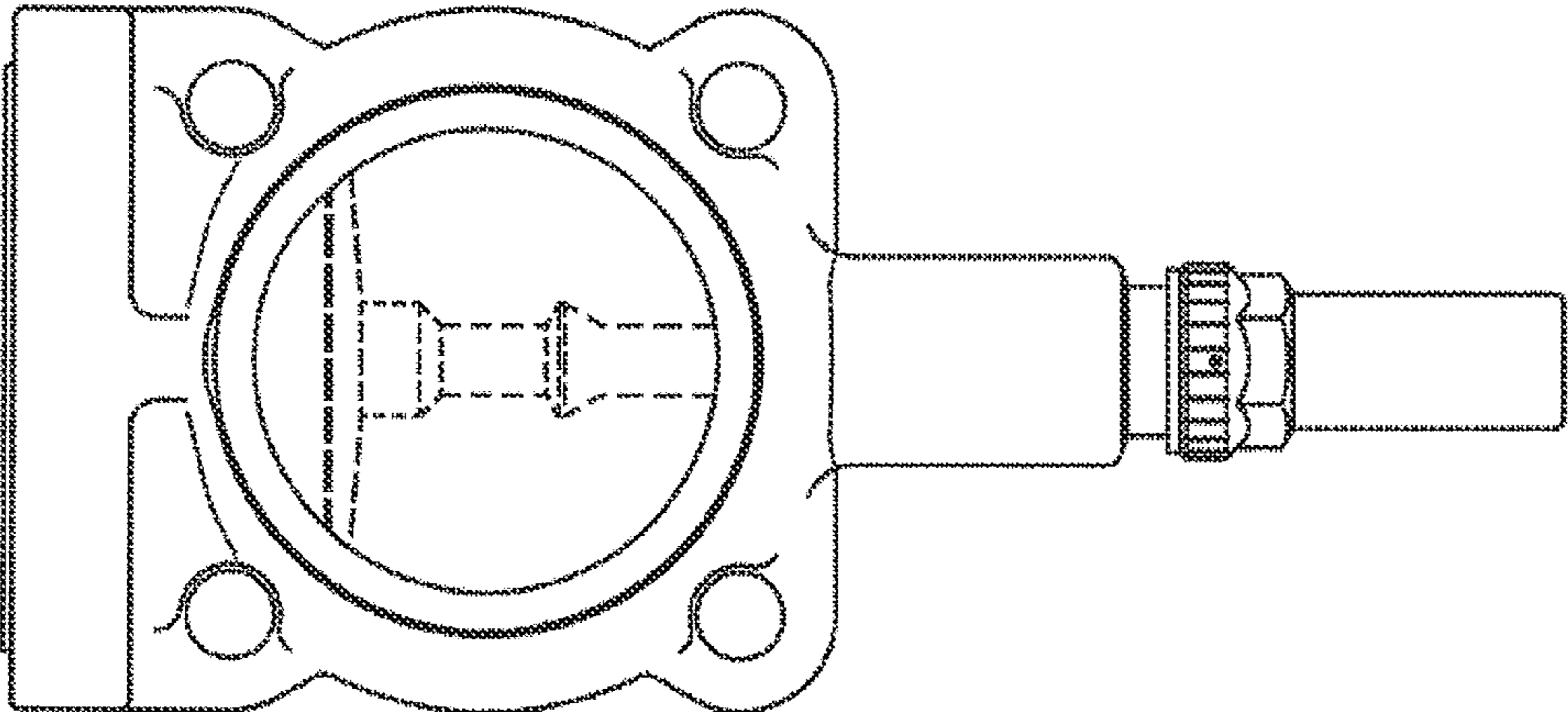


FIG. 15

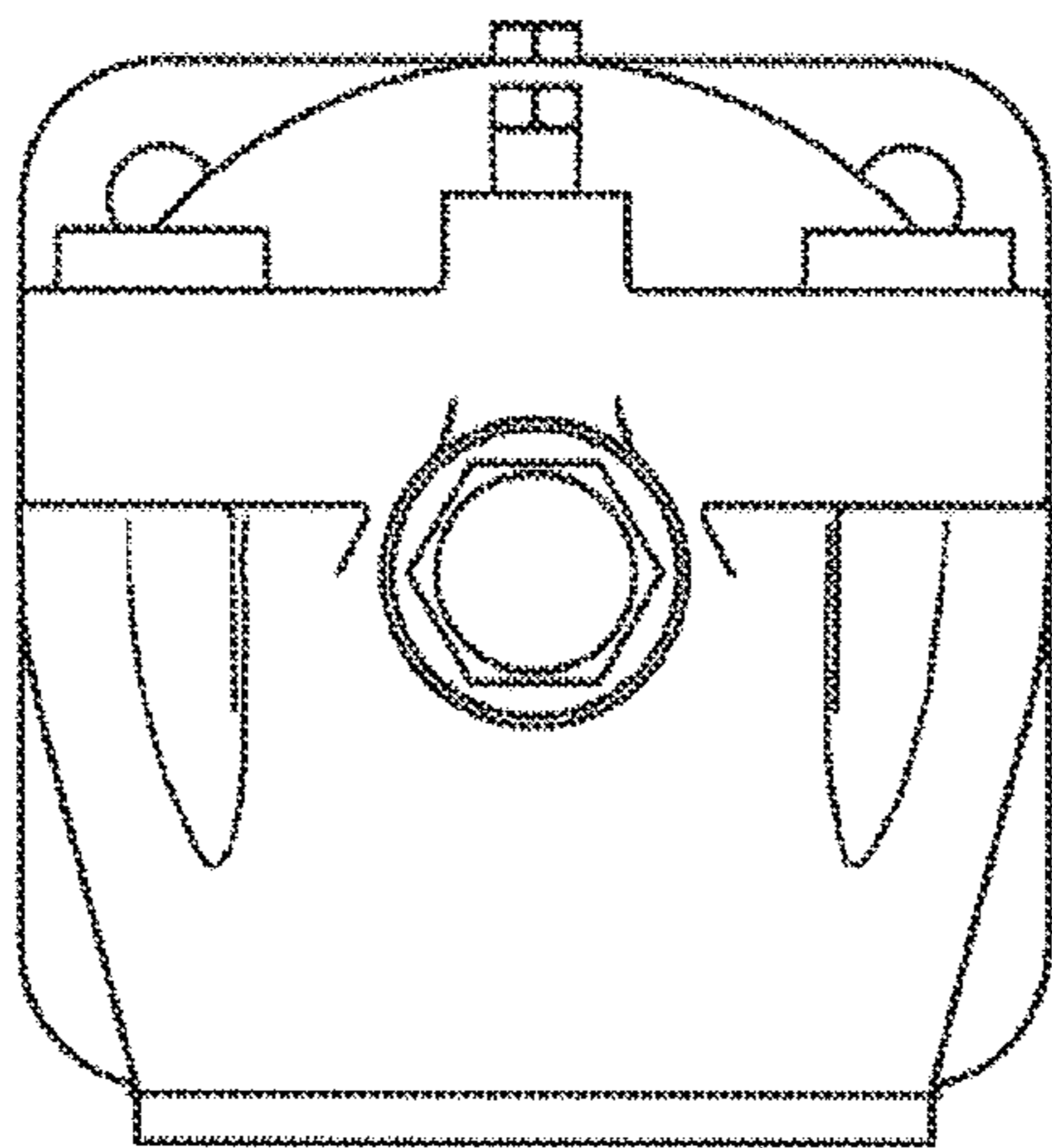


FIG. 16

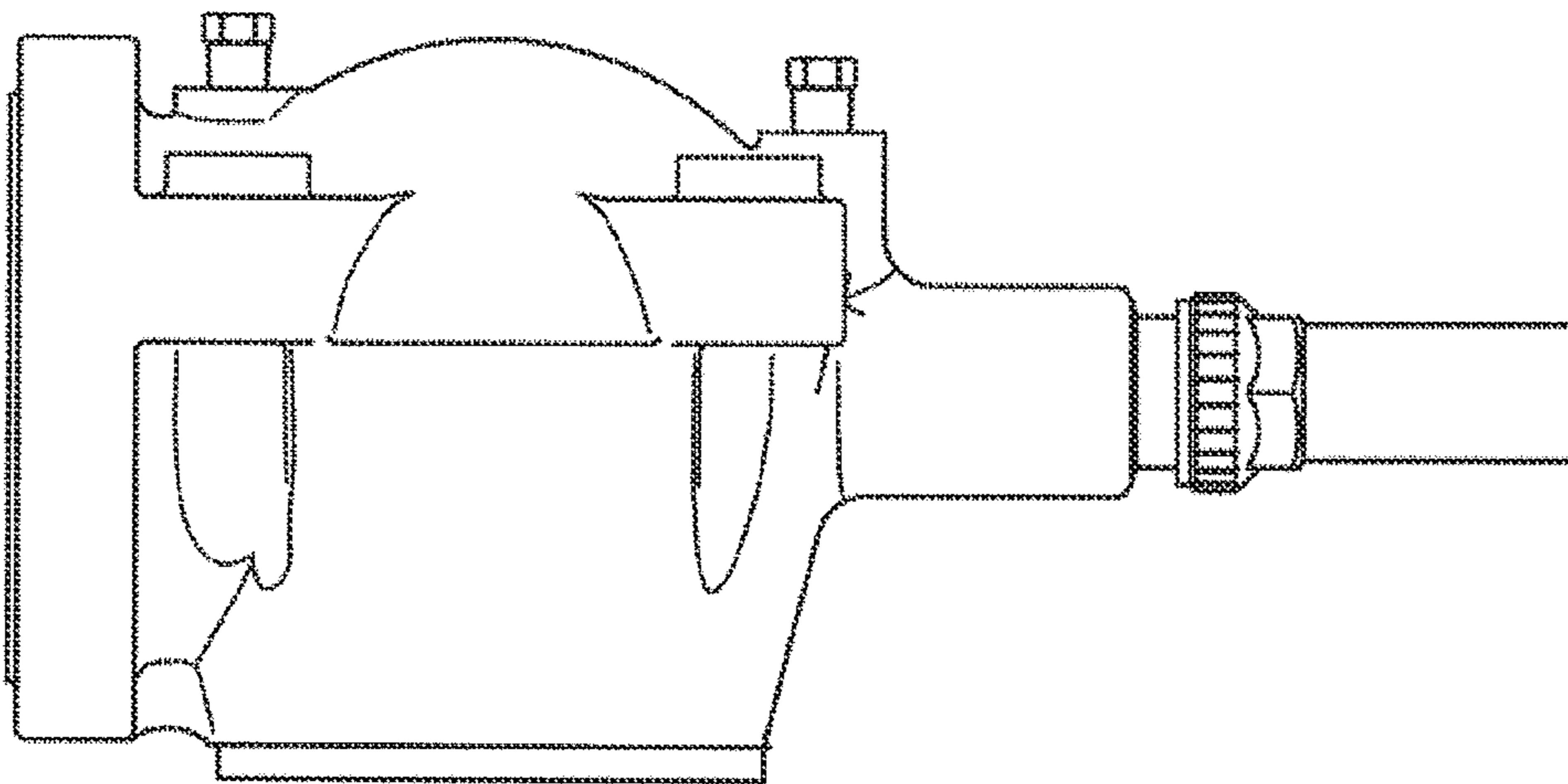


FIG. 17

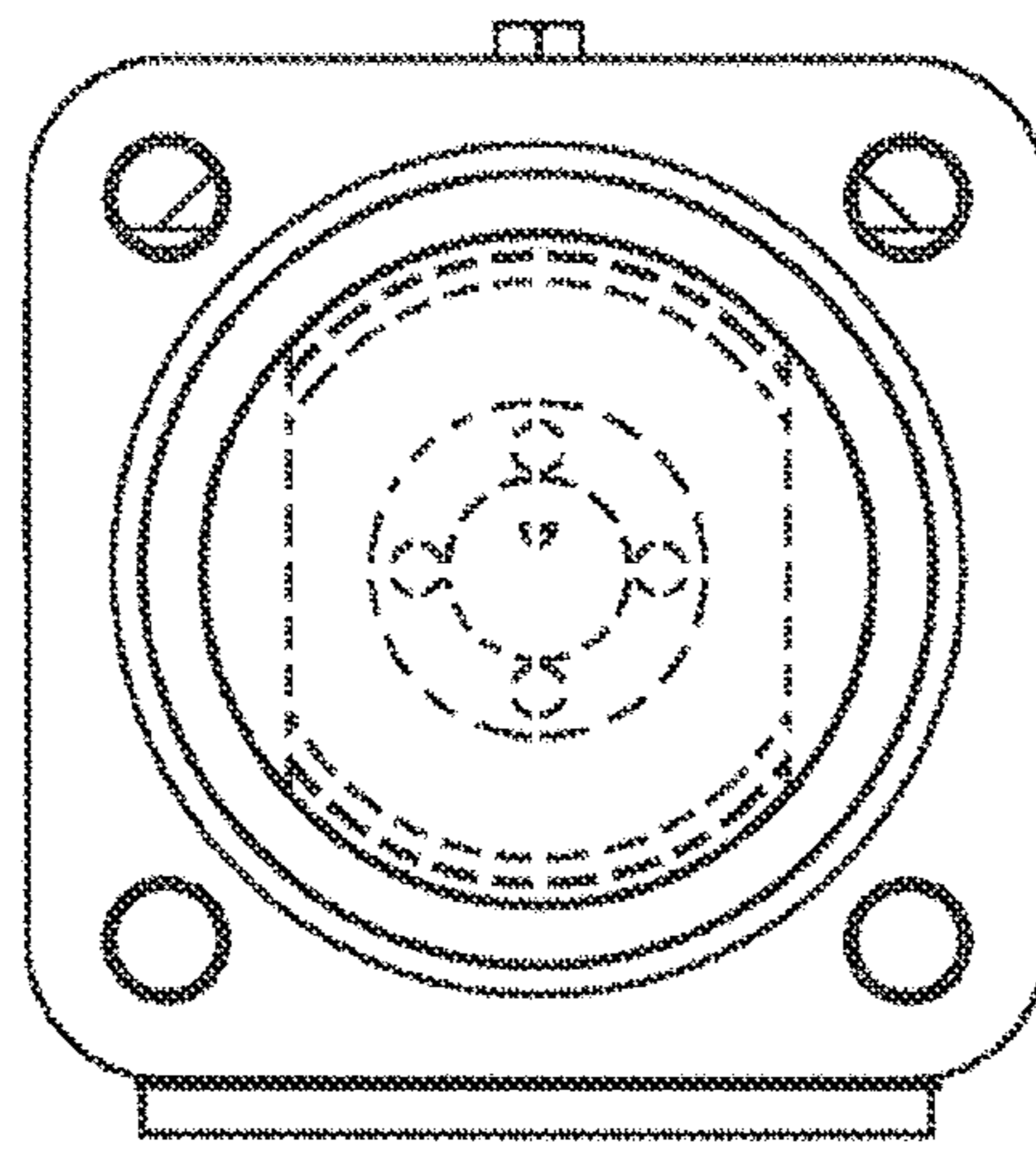


FIG. 18

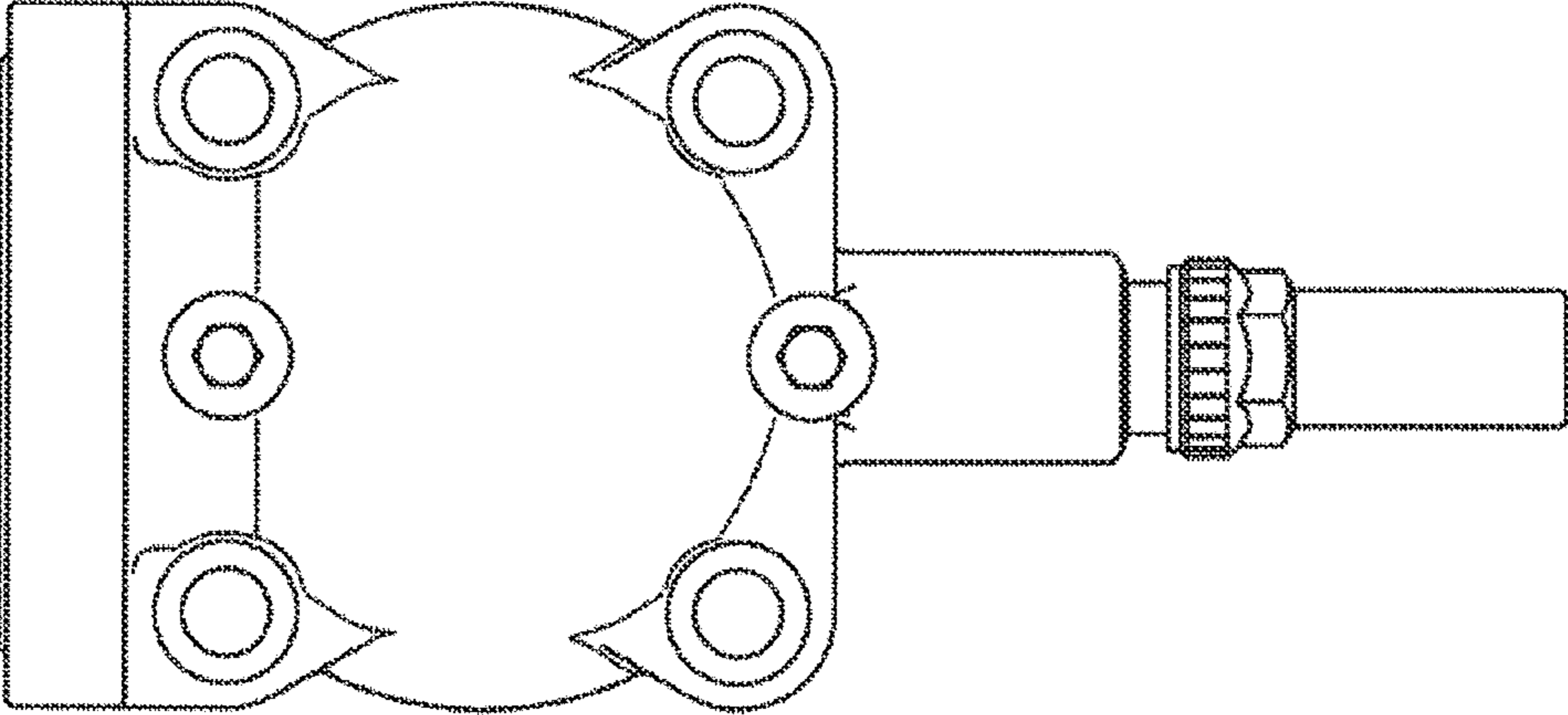


FIG. 19

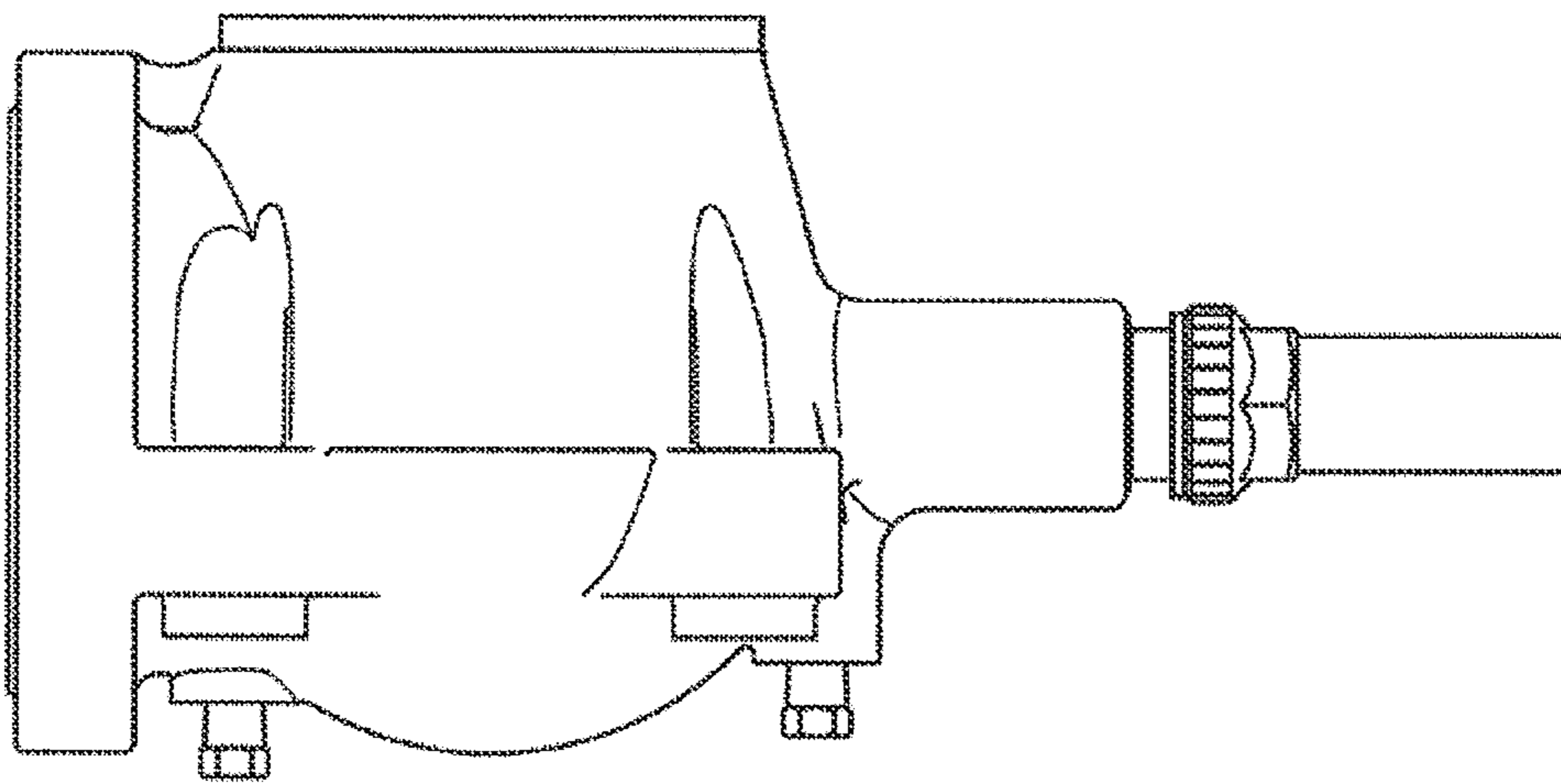


FIG. 20

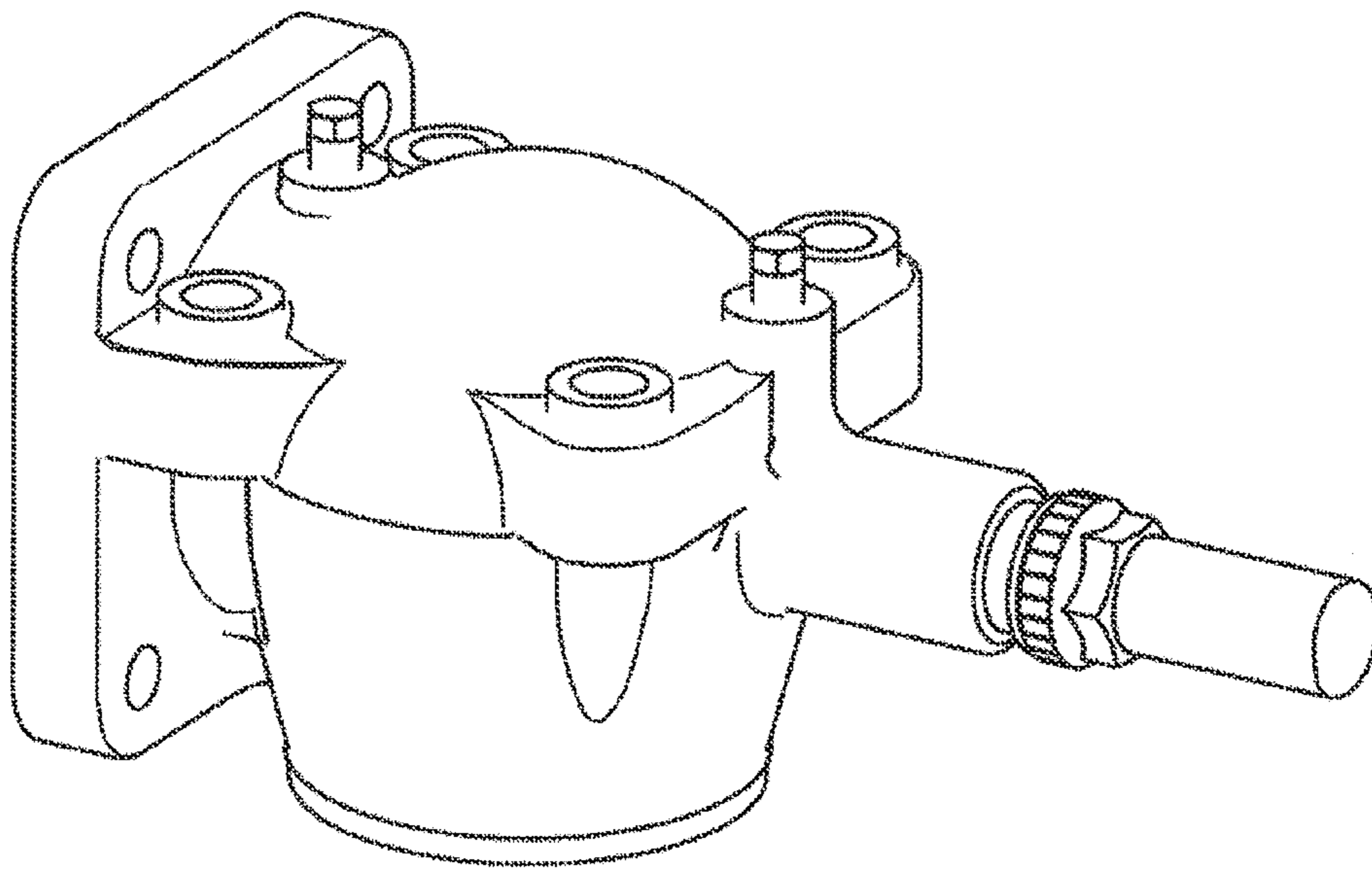


FIG. 21

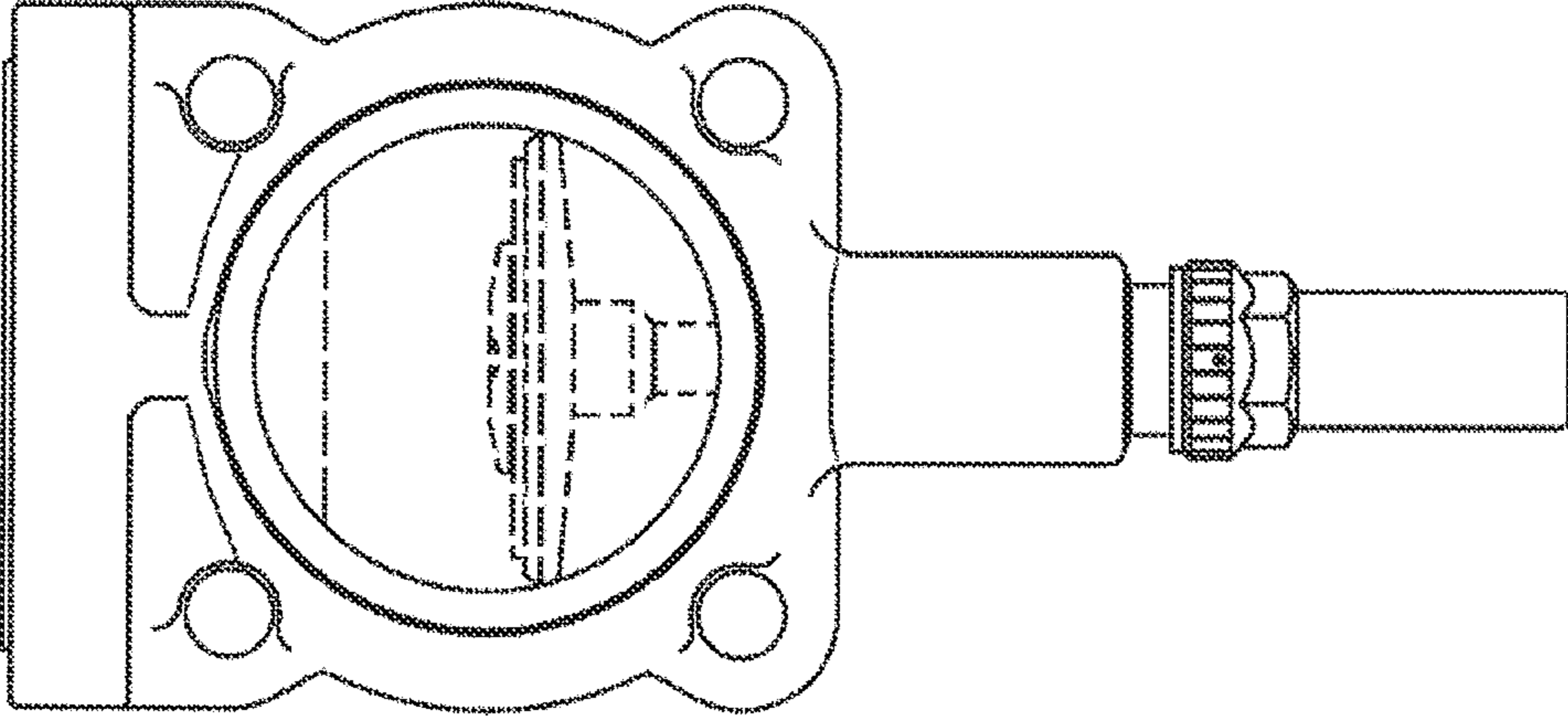


FIG. 22

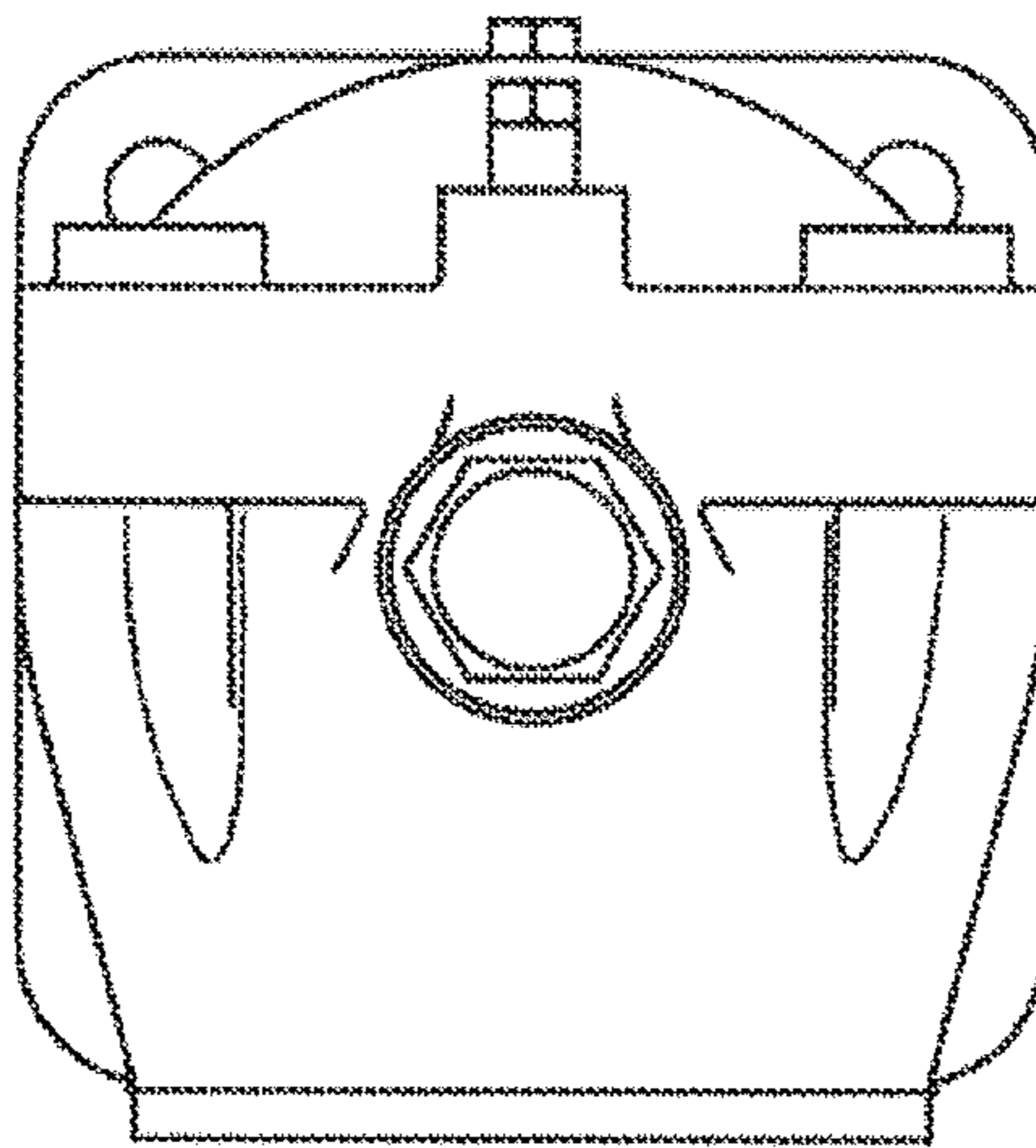


FIG. 23

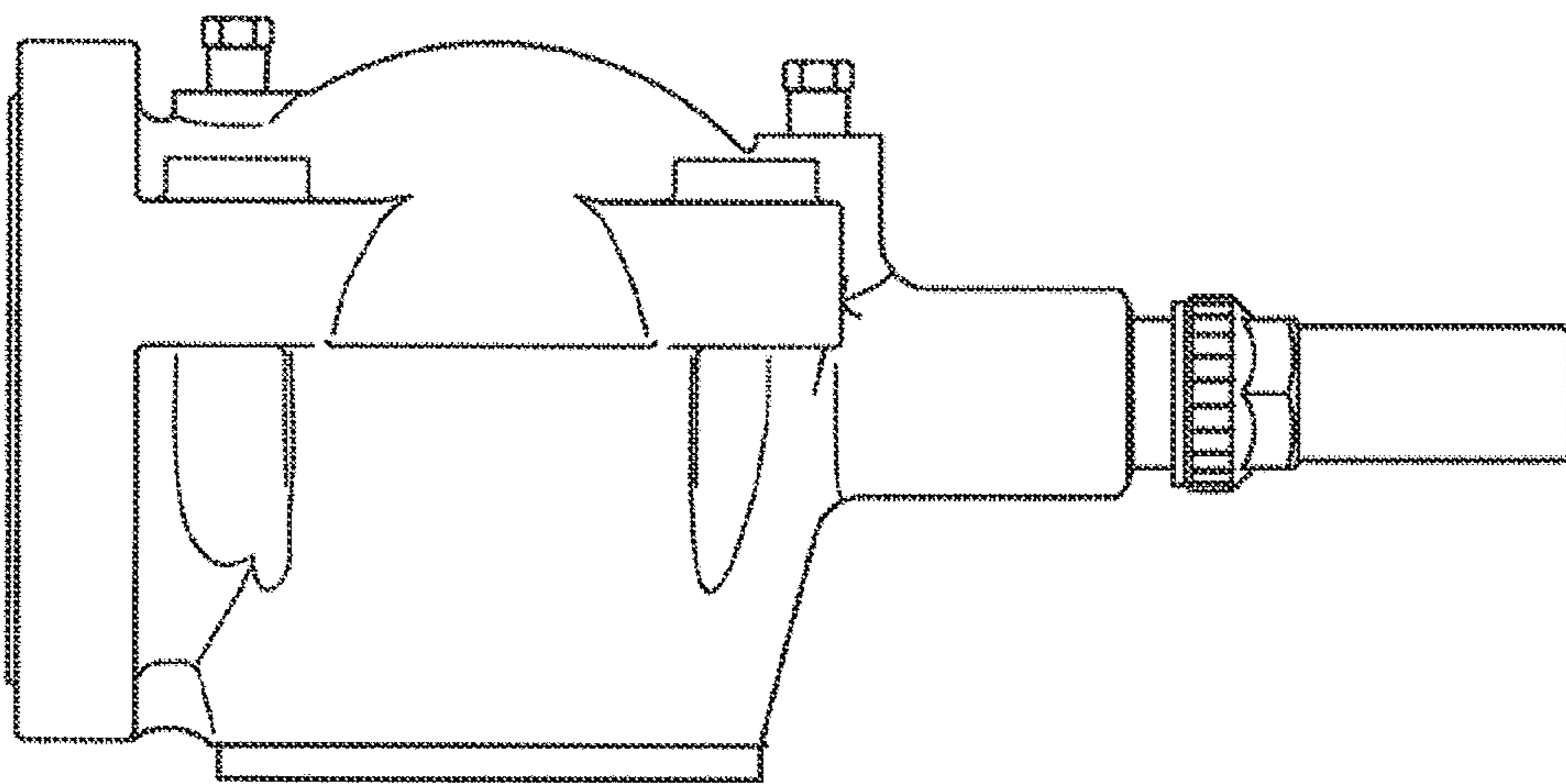


FIG. 24

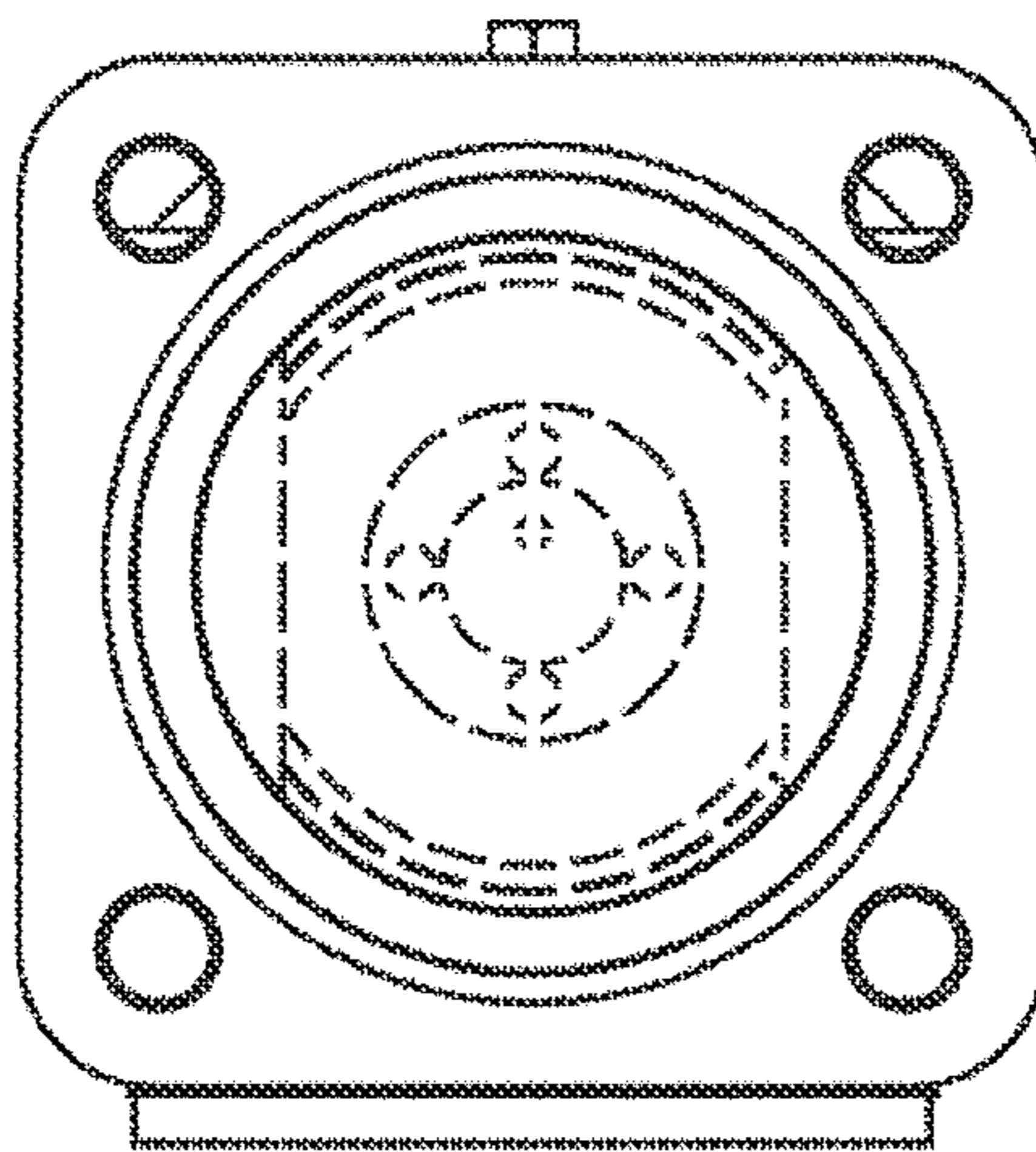


FIG. 25

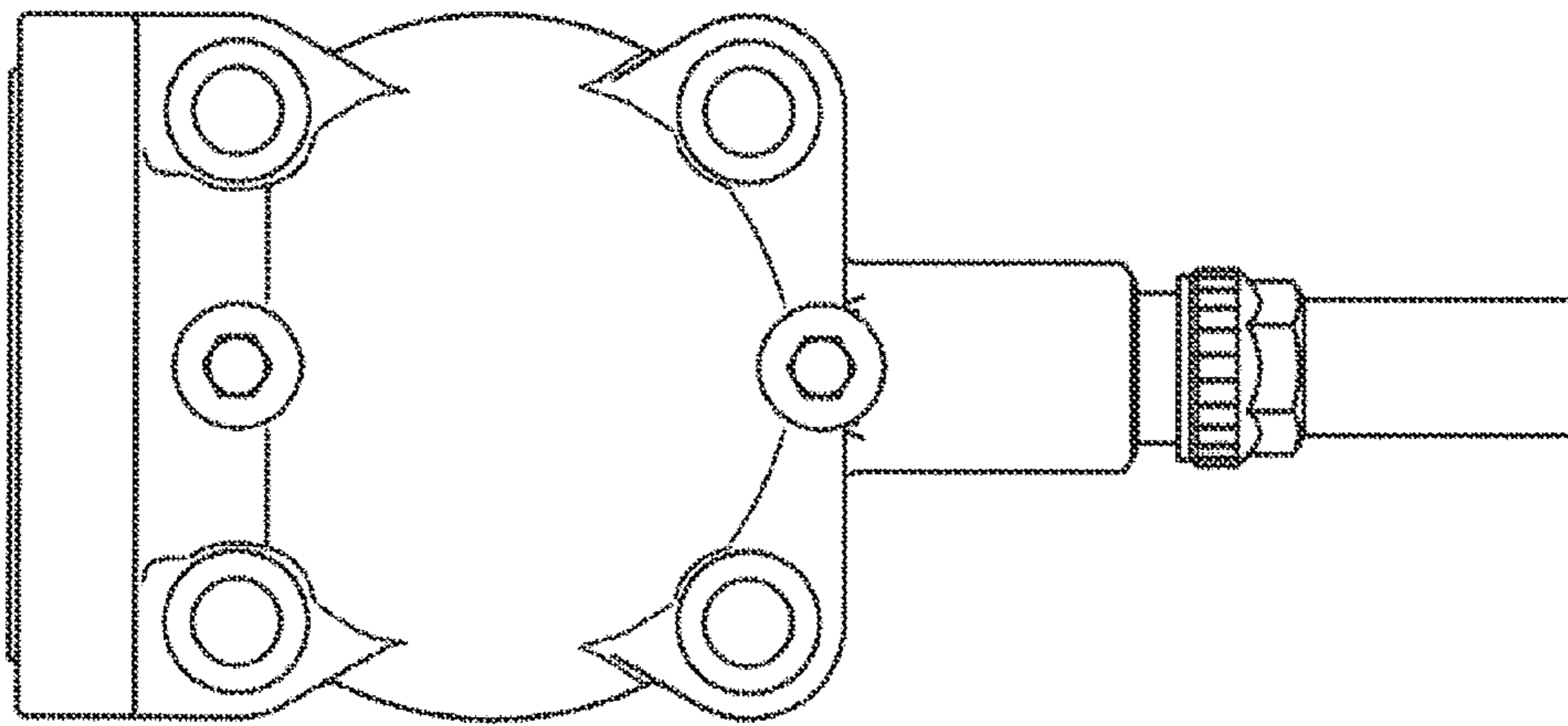


FIG. 26

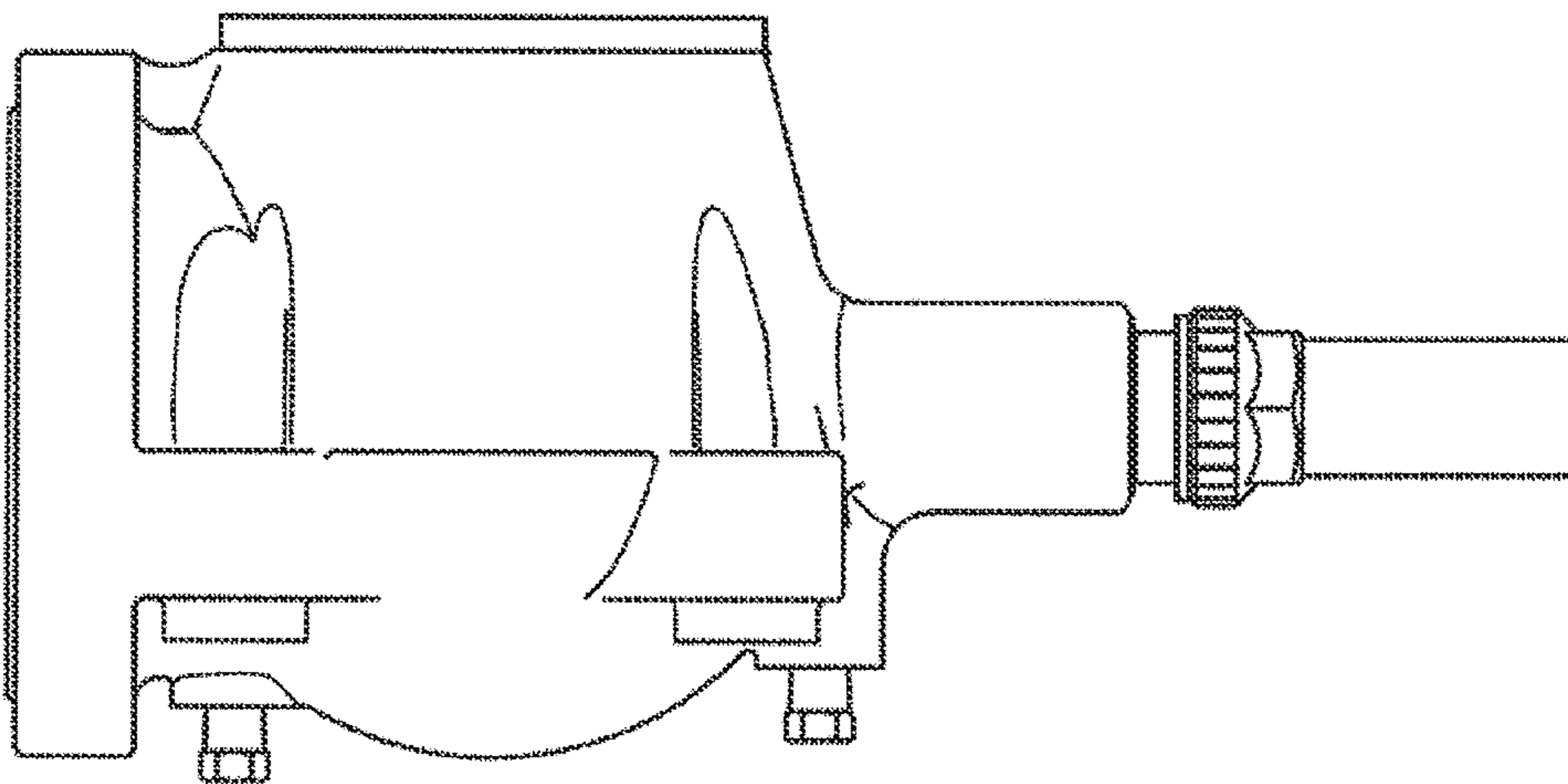


FIG. 27

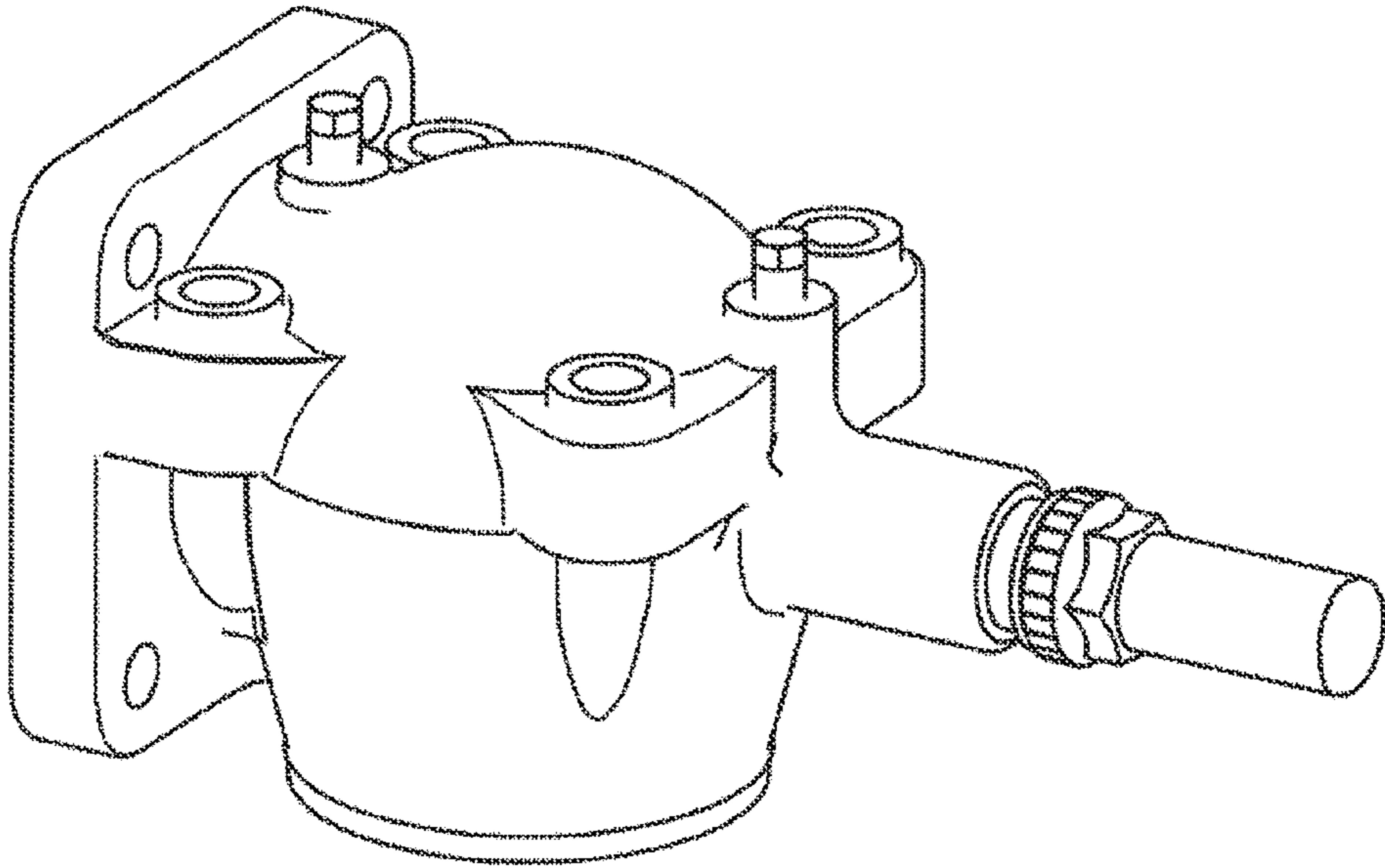


FIG. 28