



US00D732634S

(12) **United States Design Patent**
Cheng et al.

(10) **Patent No.:** **US D732,634 S**
(45) **Date of Patent:** **** Jun. 23, 2015**

(54) **BARREL MOUNT WITH OPTICAL SIGHT
BASE MOUNT**

(56) **References Cited**

U.S. PATENT DOCUMENTS

(71) Applicants: **Carson Cheng**, City of Industry, CA
(US); **Richard Thomas**, City of
Industry, CA (US)

D394,096 S * 5/1998 Edgar D22/110
D415,239 S * 10/1999 Fell et al. D22/110
D435,284 S * 12/2000 Sutula D22/110
8,806,799 B1 * 8/2014 Gordon 42/130
2004/0211105 A1 * 10/2004 Arachequesne 42/113

(72) Inventors: **Carson Cheng**, City of Industry, CA
(US); **Richard Thomas**, City of
Industry, CA (US)

* cited by examiner

Primary Examiner — Michael A Pratt

(73) Assignee: **NcSTAR Inc.**, City of Industry, CA (US)

(74) *Attorney, Agent, or Firm* — Raymond Y. Chan; David
and Raymond Patent Firm

(**) Term: **14 Years**

(57) **CLAIM**

The ornamental design for a barrel mount with optical sight
base mount, as shown and described.

(21) Appl. No.: **29/479,743**

DESCRIPTION

(22) Filed: **Jan. 19, 2014**

(51) **LOC (10) Cl.** **22-01**

(52) **U.S. Cl.**
USPC **D22/109**

(58) **Field of Classification Search**

USPC D22/108–109; 89/111–113; 359/399,
359/823, 744; 42/104, 105, 111–113, 116,
42/120, 124–126, 127–129, 141–148,
42/133–148; 33/227, 229
CPC F41G 1/00; F41G 1/01; F41G 1/02;
F41G 1/06; F41G 1/065; F41G 1/08; F41G
1/10; F41G 1/12; F41G 1/14; F41G 1/30;
F41G 1/32; F41G 1/38; F41G 1/40; F41G
1/42; F41G 1/44; F41G 1/46; F41G 1/383;
F41G 1/387; F41G 1/393; F41G 3/00; F41G
3/005; F41G 3/02; F41G 3/04; F41G 3/06;
F41G 3/14; F41G 11/002; F41G 11/003;
F41G 11/004; F41G 11/005

FIG. 1 is a perspective view of a barrel mount with an optical
sight base mount showing my new design, which is a shotgun
barrel mount.

FIG. 2 is a front view thereof.

FIG. 3 is a rear view thereof.

FIG. 4 is a right view thereof.

FIG. 5 is a left view thereof.

FIG. 6 is a top view thereof.

FIG. 7 is a bottom view thereof.

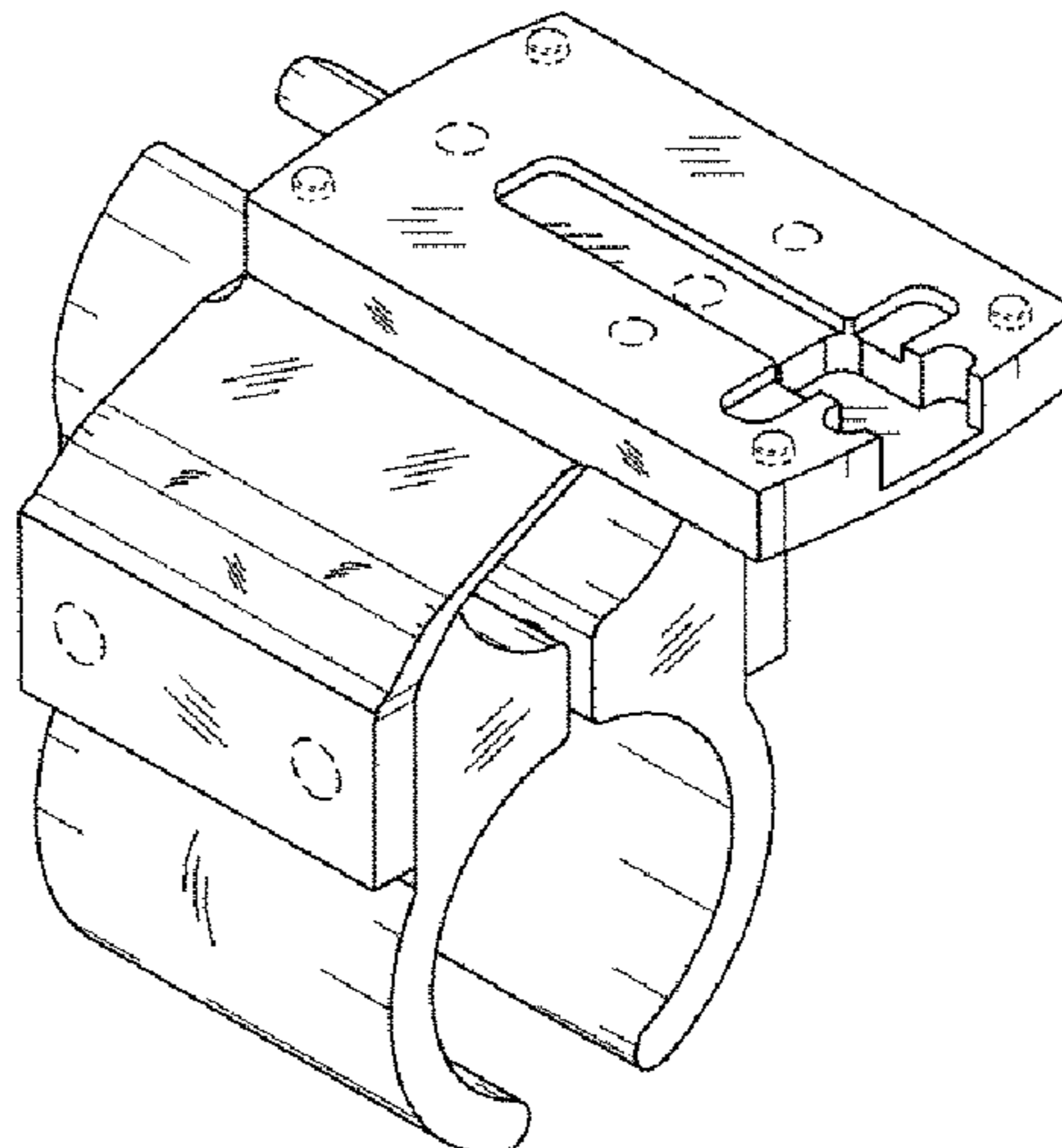
FIG. 8 is a perspective view of the barrel mount with the
optical sight base mount, illustrating a microdot being
coupled on the optical sight base mount and two side rail
mounts being coupled at the barrel mount; and,

FIG. 9 is a perspective view of the barrel mount with the
optical sight base mount, illustrating two side rail mounts
being coupled at the barrel mount and one side rail mount
being coupled on the optical sight base mount.

The broken line portion of the figure drawings is included to
show unclaimed subject matter only and forms no part of the
claimed design.

See application file for complete search history.

1 Claim, 2 Drawing Sheets



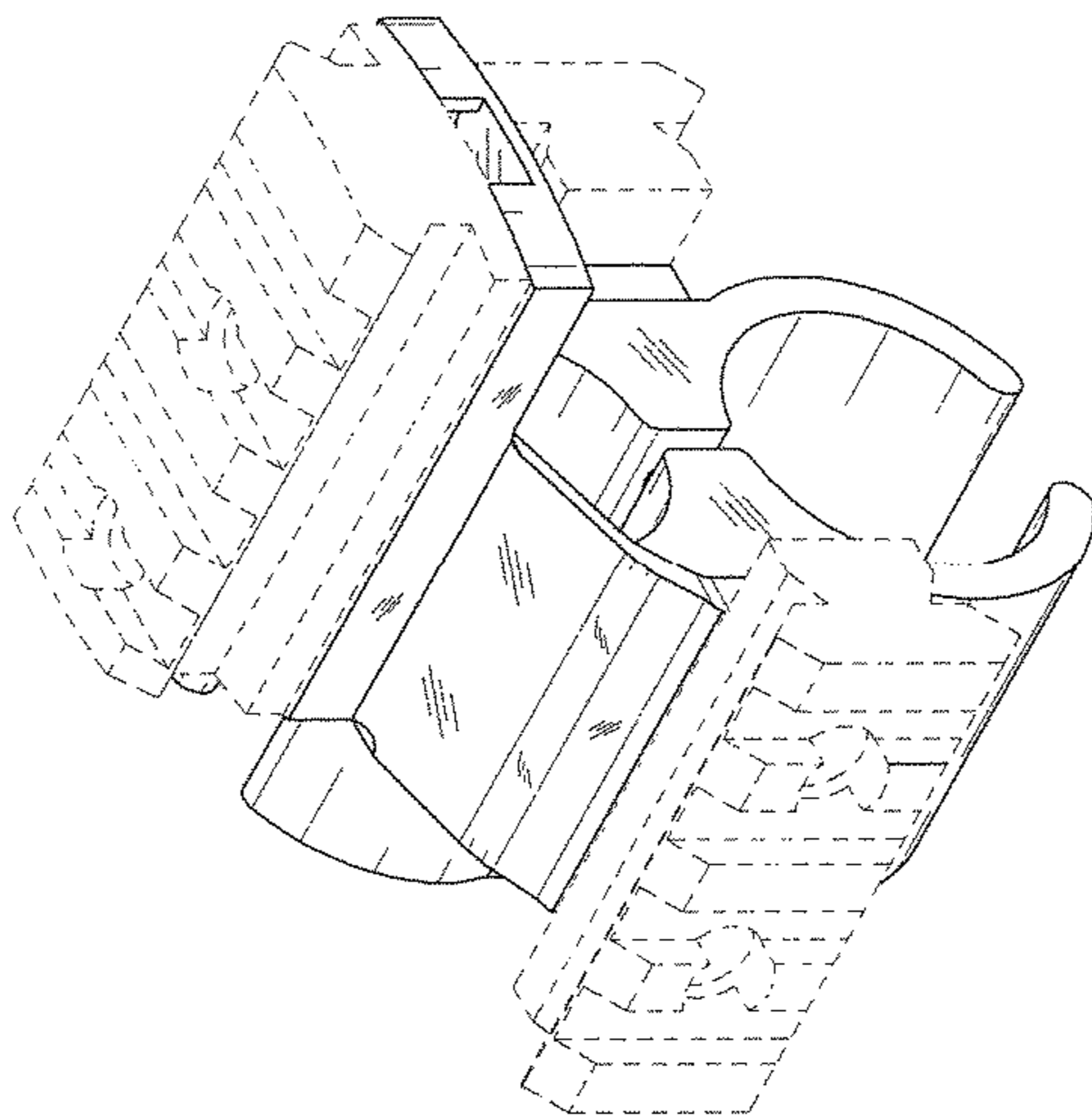


FIG.9

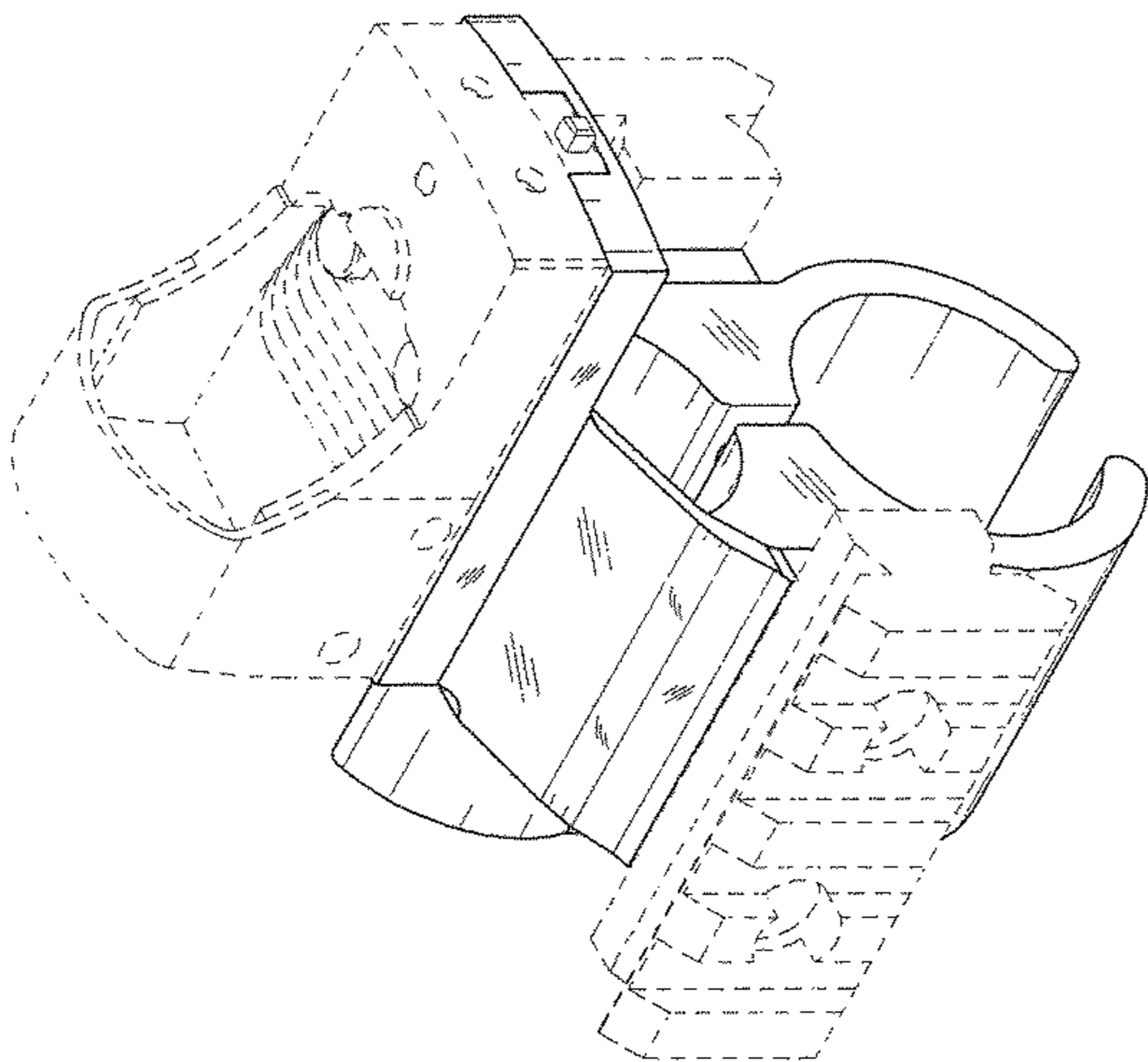


FIG.8

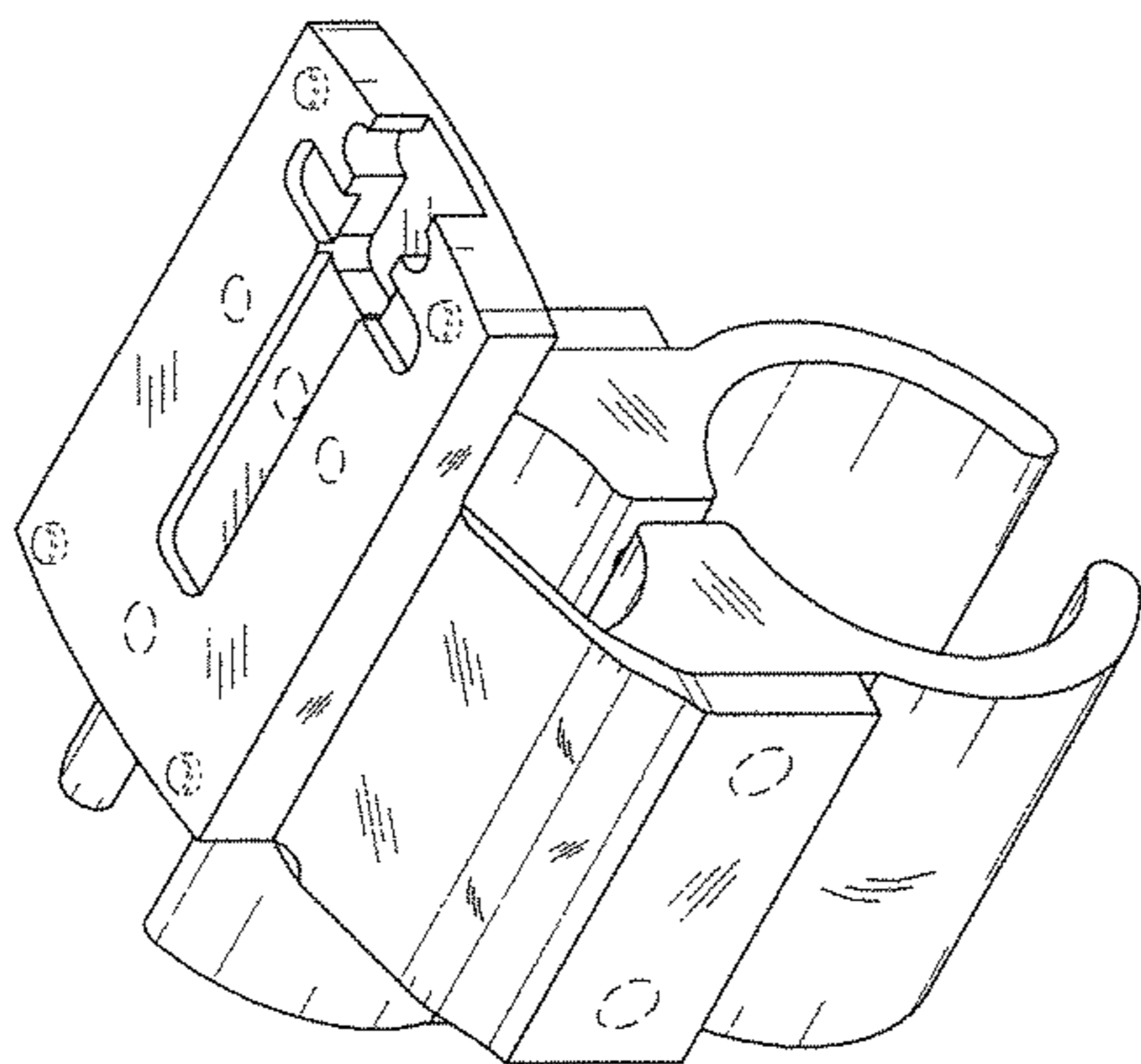


FIG.1

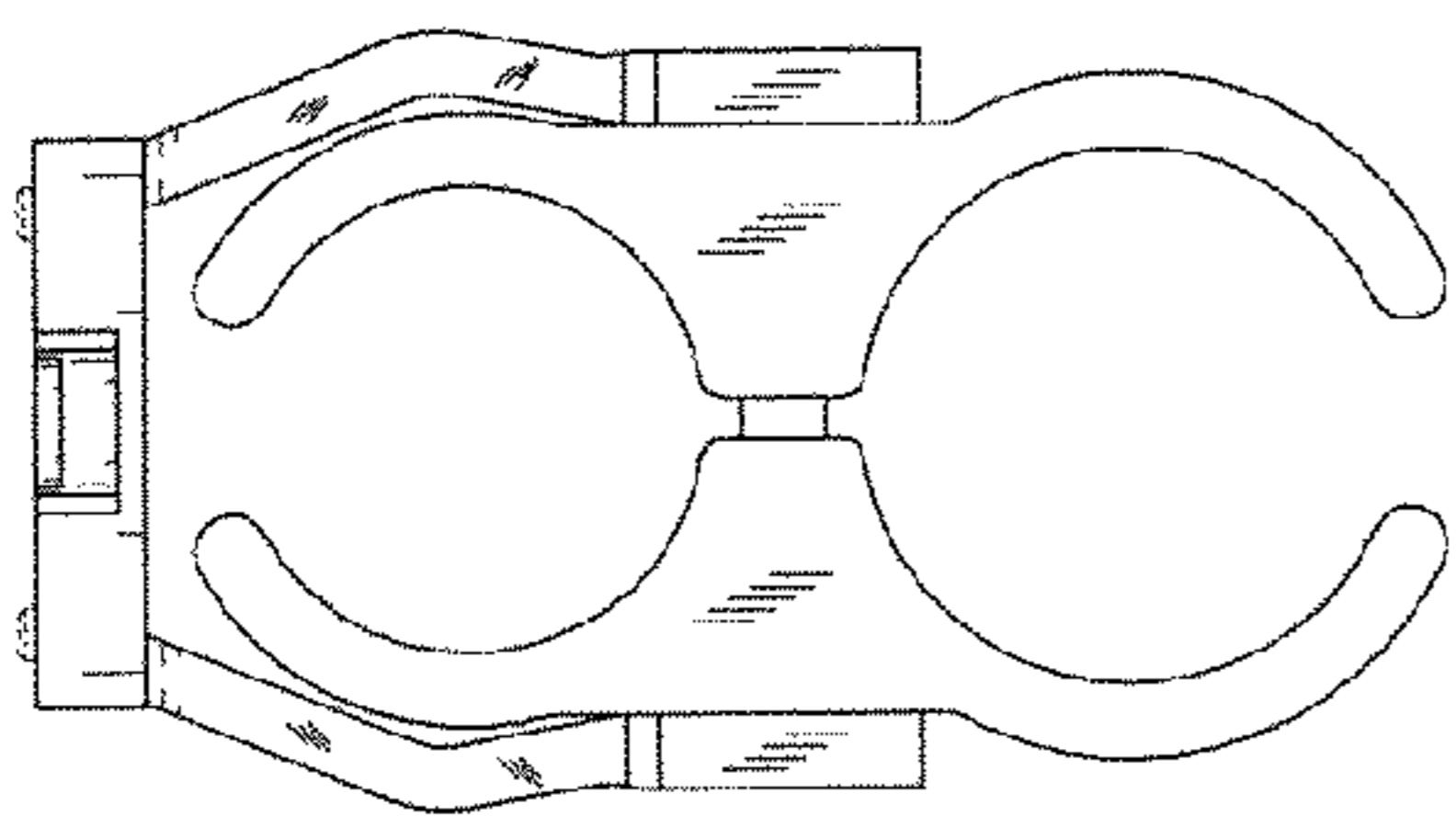


FIG. 2

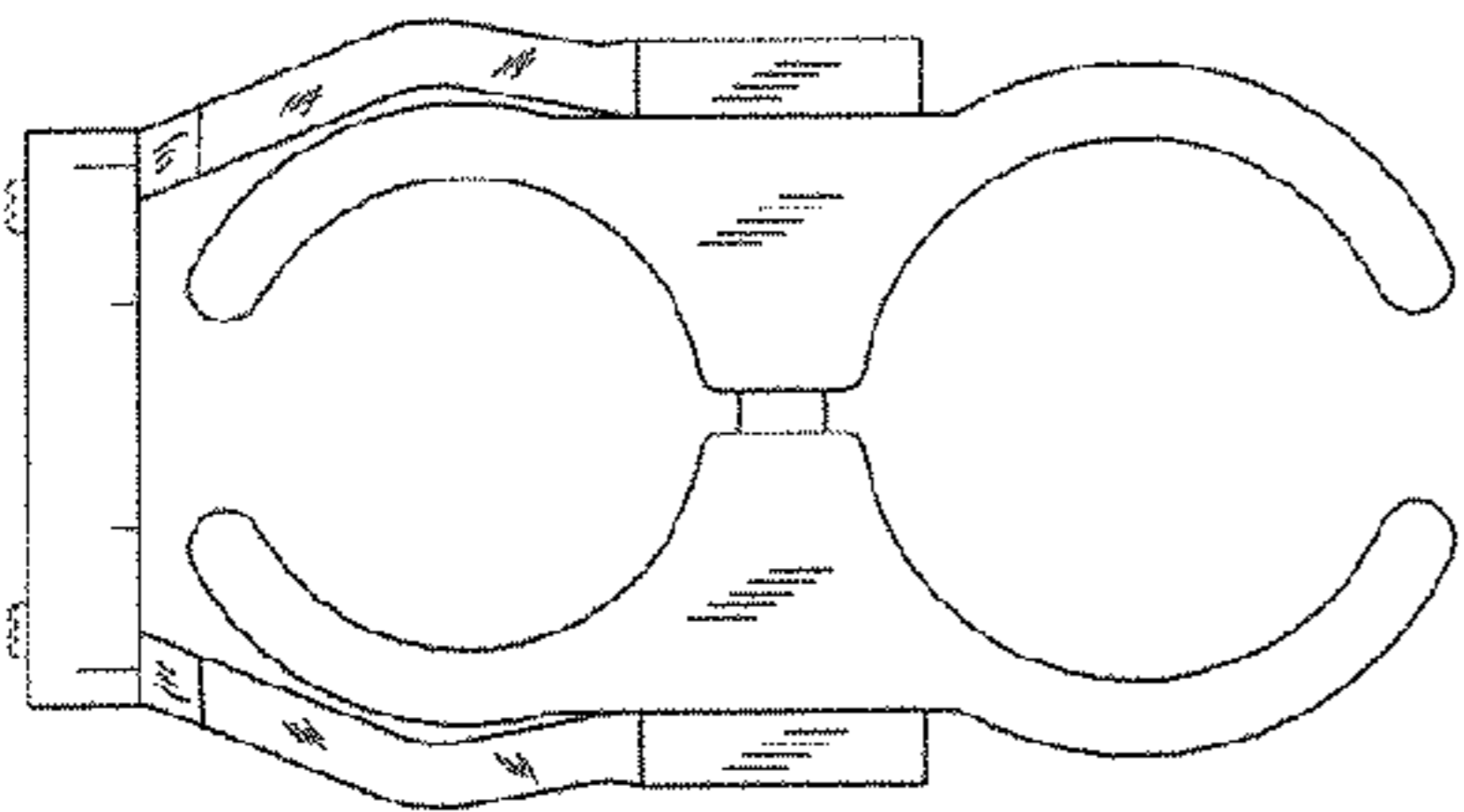


FIG. 3

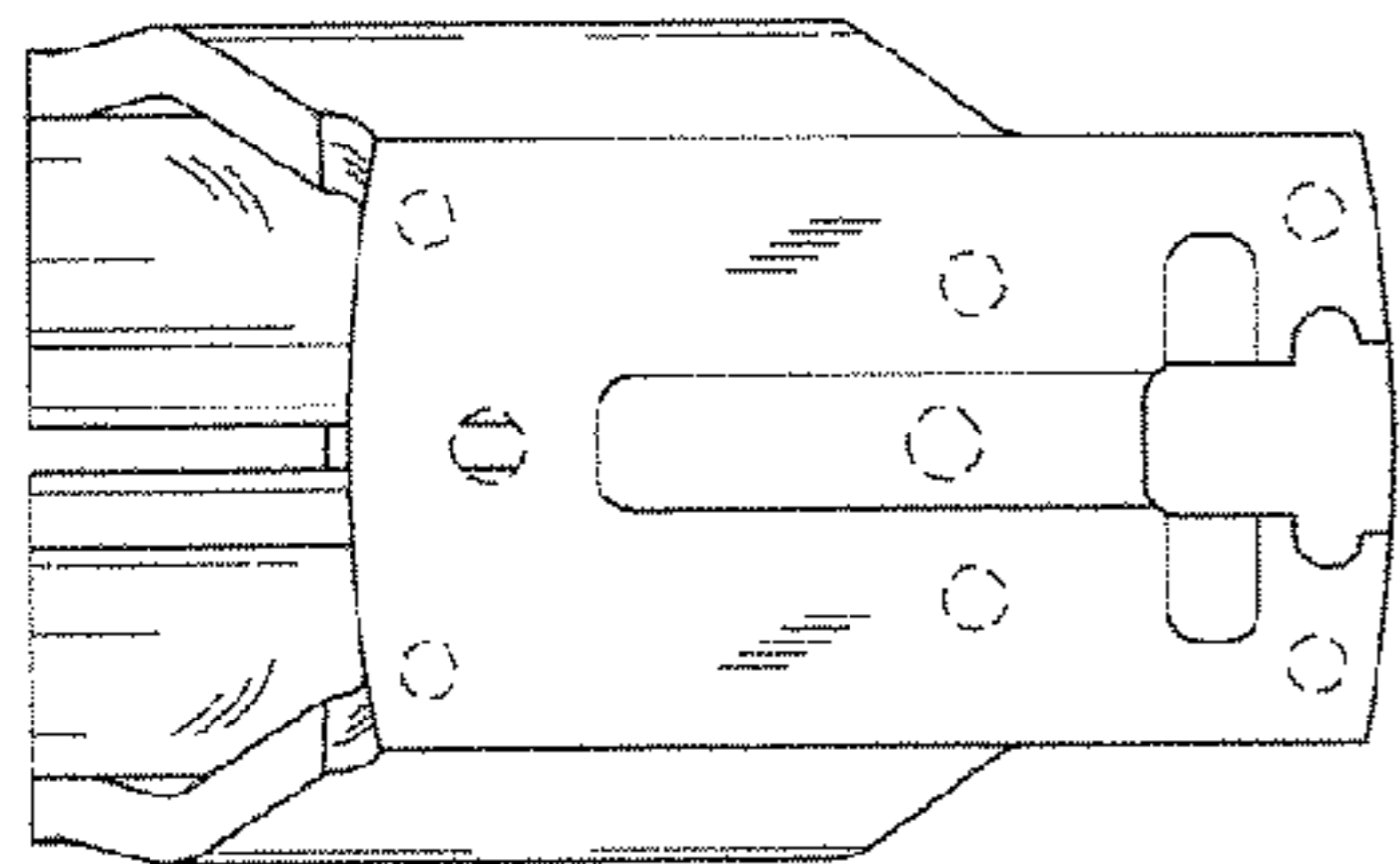


FIG. 6

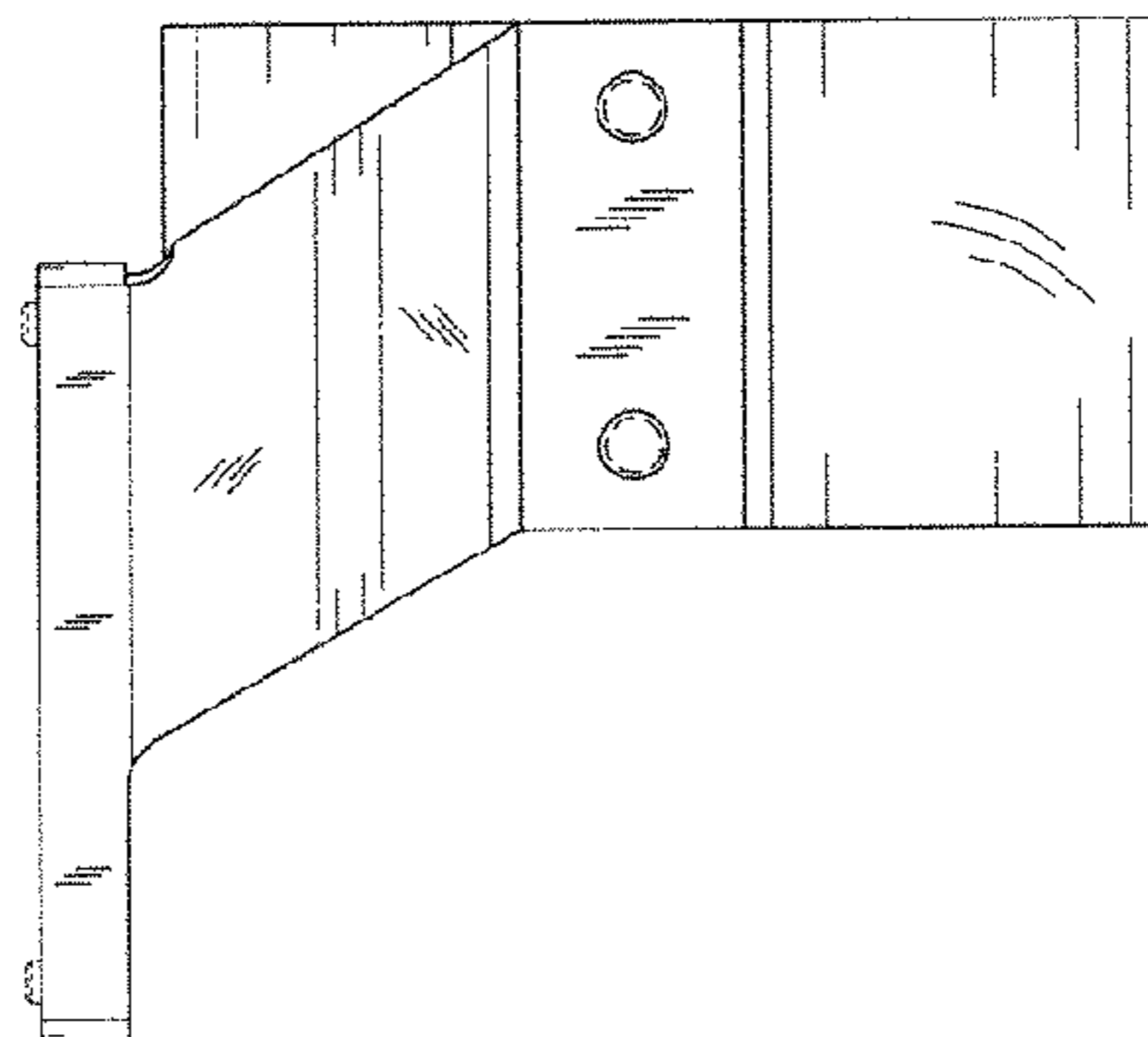


FIG. 4

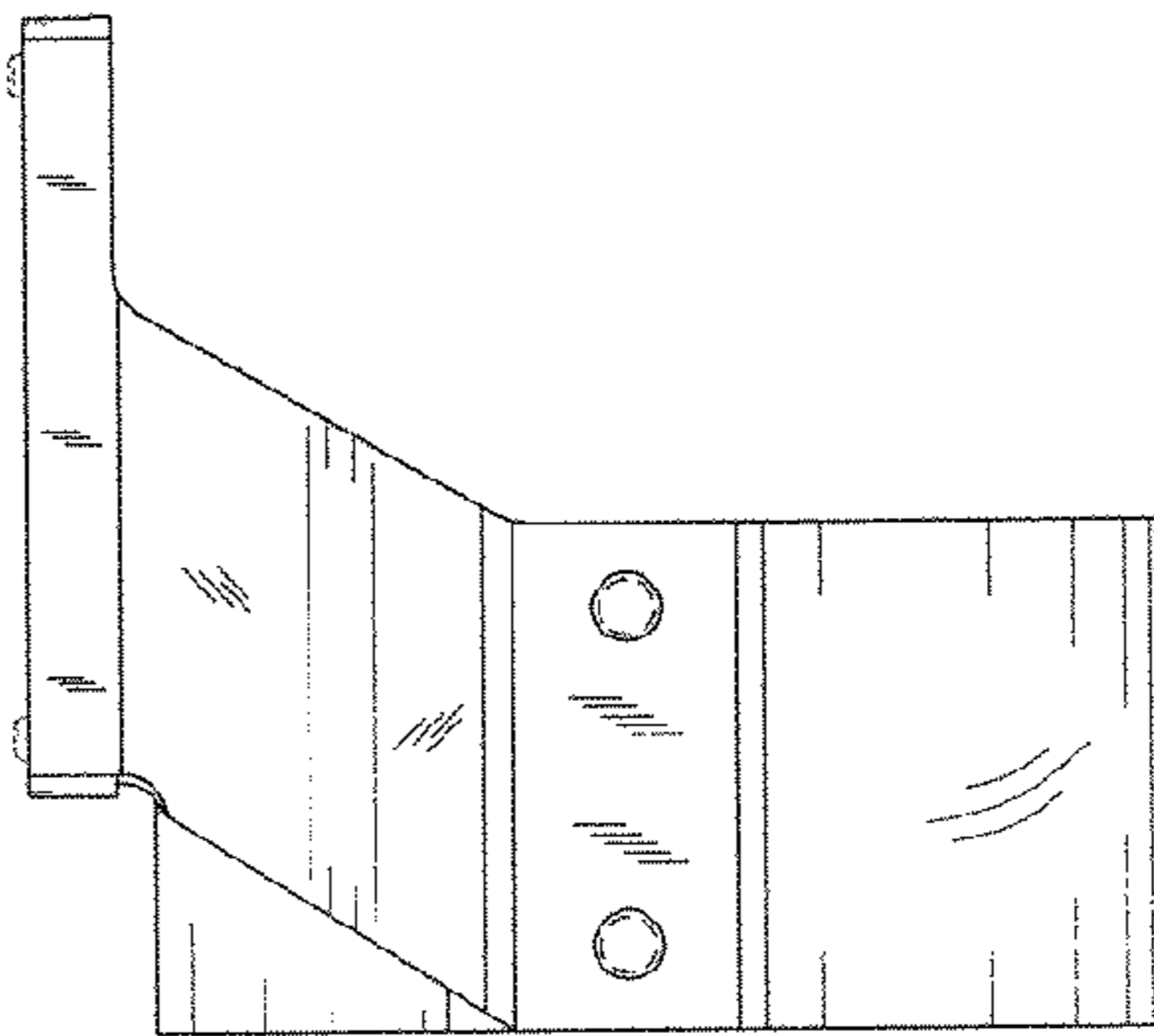


FIG. 5

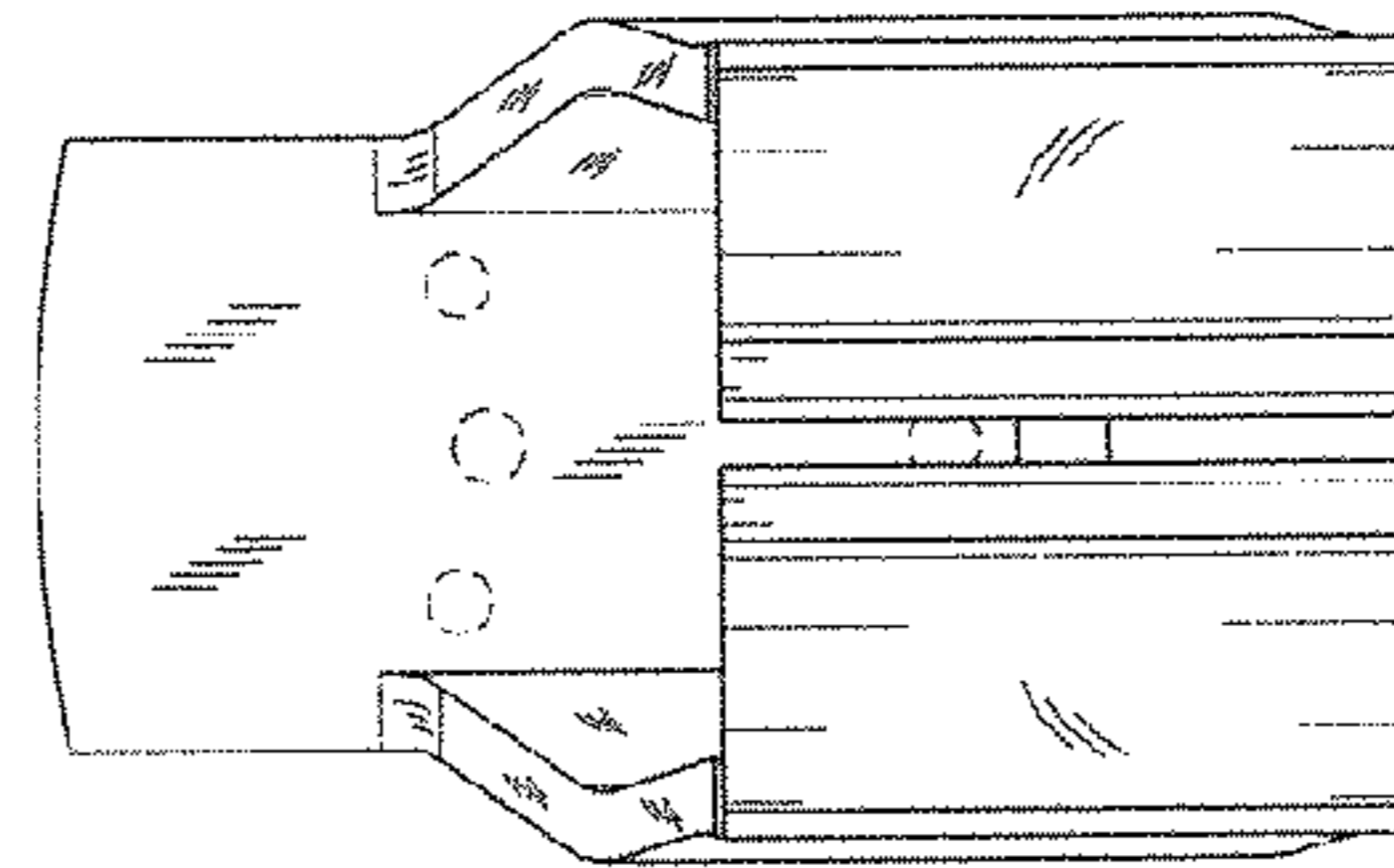


FIG. 7