



US00D732633S

(12) **United States Design Patent**
Cheng et al.

(10) **Patent No.:** **US D732,633 S**
(45) **Date of Patent:** **** Jun. 23, 2015**

(54) **TACTICAL SCOPE**

(71) Applicants: **Carson Cheng**, City of Industry, CA (US); **Richard Thomas**, City of Industry, CA (US)

(72) Inventors: **Carson Cheng**, City of Industry, CA (US); **Richard Thomas**, City of Industry, CA (US)

(73) Assignee: **NCSTAR INC.**, City of Industry, CA (US)

(**) Term: **14 Years**

(21) Appl. No.: **29/479,742**

(22) Filed: **Jan. 19, 2014**

(51) **LOC (10) Cl.** **22-01**

(52) **U.S. Cl.**
USPC **D22/109**

(58) **Field of Classification Search**
USPC D22/108–109; 89/111–113; 359/399, 359/823, 744; 42/104, 105, 111–113, 116, 42/120, 124–126, 127–129, 141–148, 42/133–140; 33/227, 229
CPC F41G 1/00; F41G 1/01; F41G 1/02; F41G 1/06; F41G 1/065; F41G 1/08; F41G 1/10; F41G 1/12; F41G 1/14; F41G 1/30; F41G 1/32; F41G 1/38; F41G 1/40; F41G 1/42; F41G 1/44; F41G 1/46; F41G 1/383; F41G 1/387; F41G 1/393; F41G 3/00; F41G 3/005; F41G 3/02; F41G 3/04; F41G 3/06; F41G 3/14; F41G 11/002; F41G 11/003; F41G 11/004; F41G 11/005

See application file for complete search history.

(56) **References Cited**

U.S. PATENT DOCUMENTS

D365,858	S	*	1/1996	Tomita	D22/109
7,676,137	B2	*	3/2010	Schick et al.	385/147
D631,121	S	*	1/2011	Cheng	D22/108
2011/0061285	A1	*	3/2011	Hamilton	42/122
2011/0314720	A1	*	12/2011	Cheng	42/117
2012/0227304	A1	*	9/2012	Engelhardt	42/90
2014/0226214	A1	*	8/2014	Edwards et al.	359/630

* cited by examiner

Primary Examiner — Michael A Pratt

(74) *Attorney, Agent, or Firm* — Raymond Y. Chan; David and Raymond Patent Firm

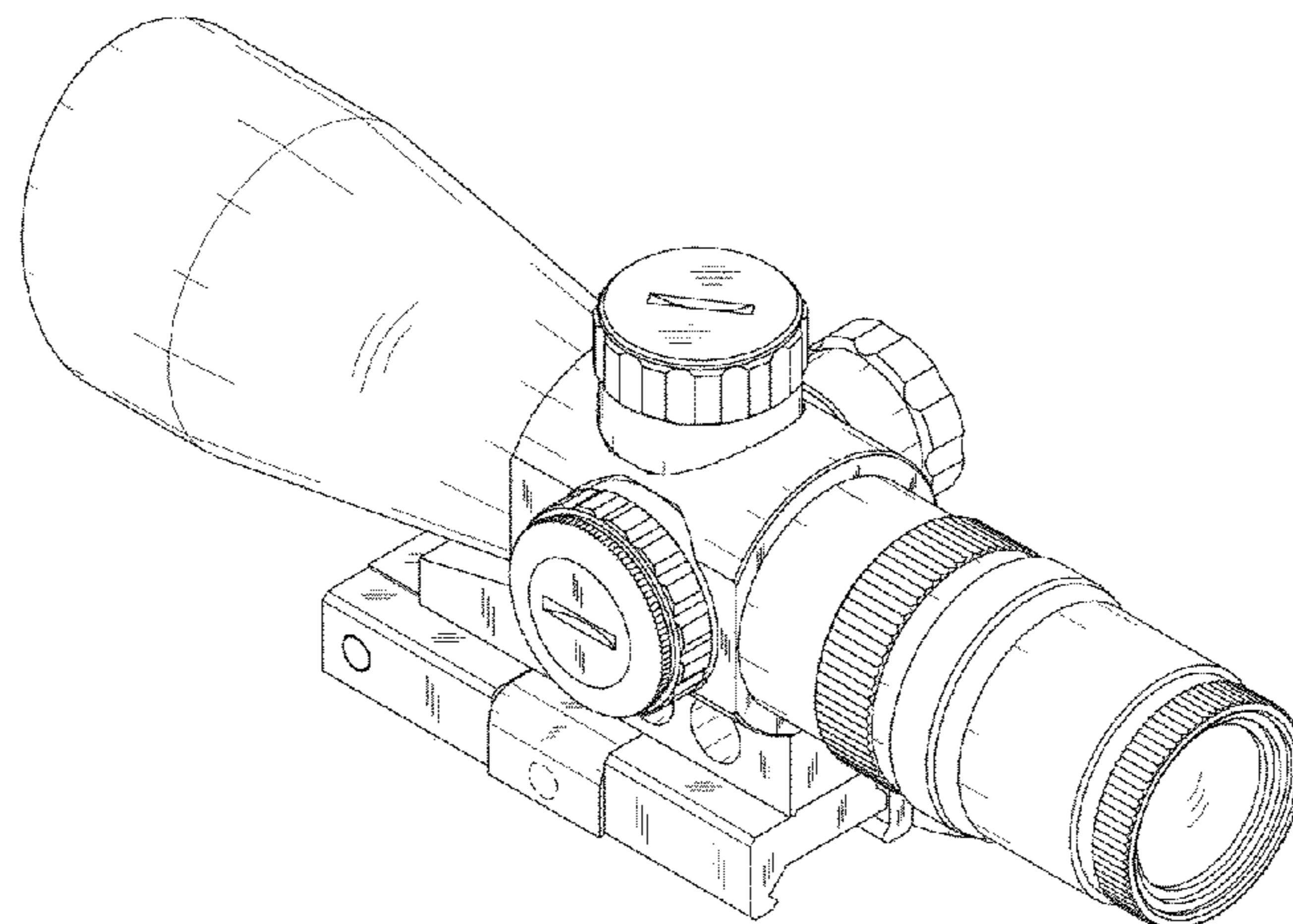
(57) **CLAIM**

The ornamental design for a tactical scope, as shown and described.

DESCRIPTION

FIG. 1 is a perspective view of a tactical scope showing my new design.
FIG. 2 is a front view thereof.
FIG. 3 is a rear view thereof.
FIG. 4 is a right view thereof.
FIG. 5 is a left view thereof.
FIG. 6 is a top view thereof.
FIG. 7 is a bottom view thereof; and,
FIG. 8 is a perspective view of the tactical scope, illustrating tactical scope being coupled at a gun.
The broken line portion of the figure drawings is included to show unclaimed subject matter only and forms no part of the claimed design.

1 Claim, 5 Drawing Sheets



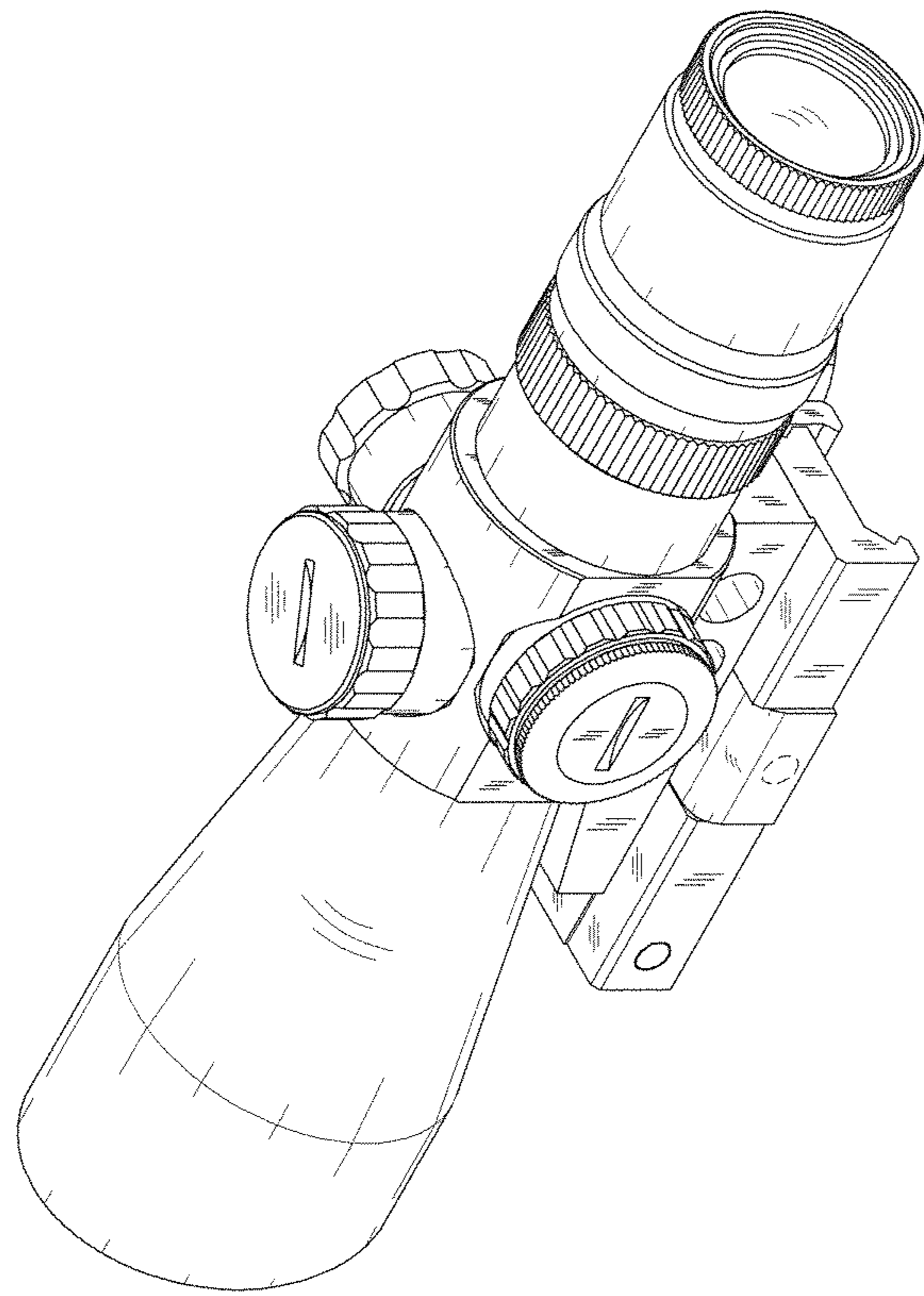


FIG. 1

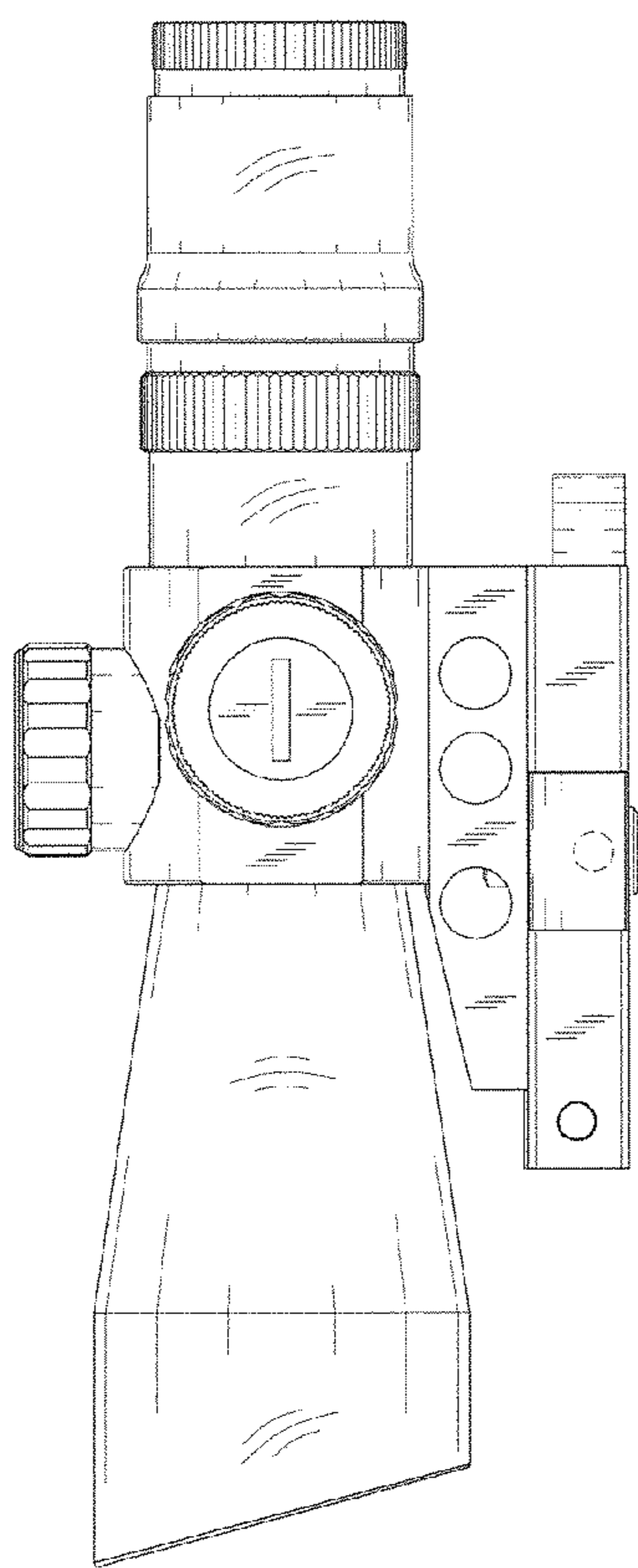


FIG. 2

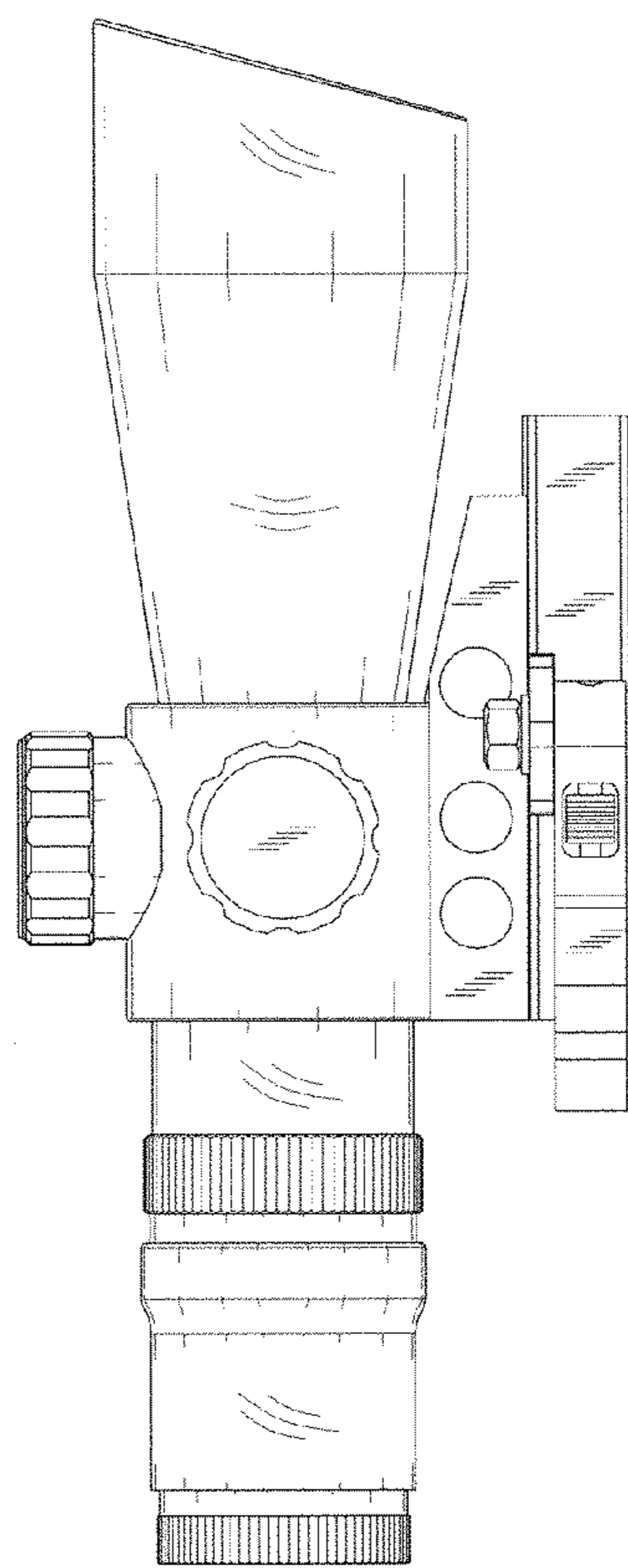


FIG. 3

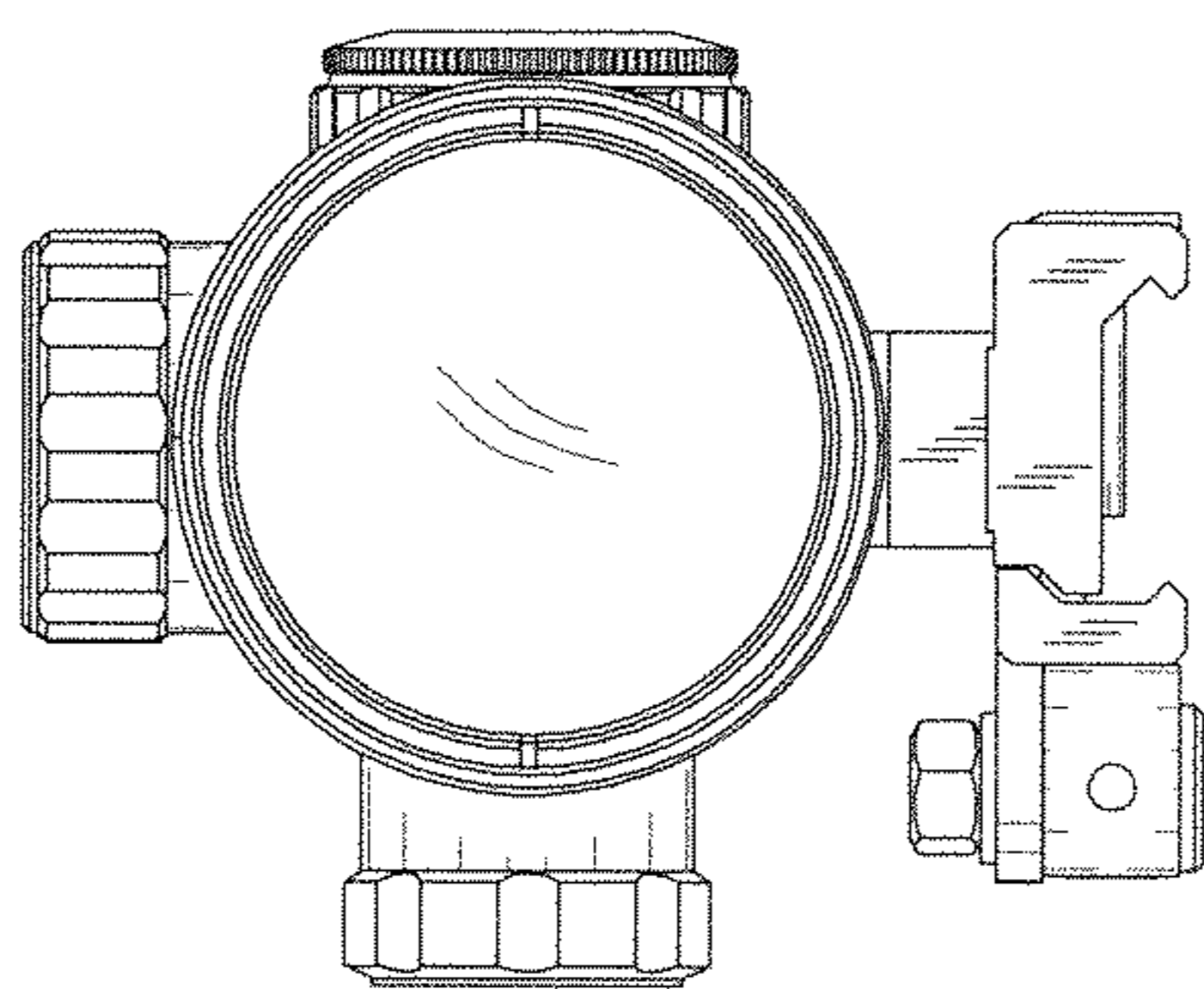


FIG.5

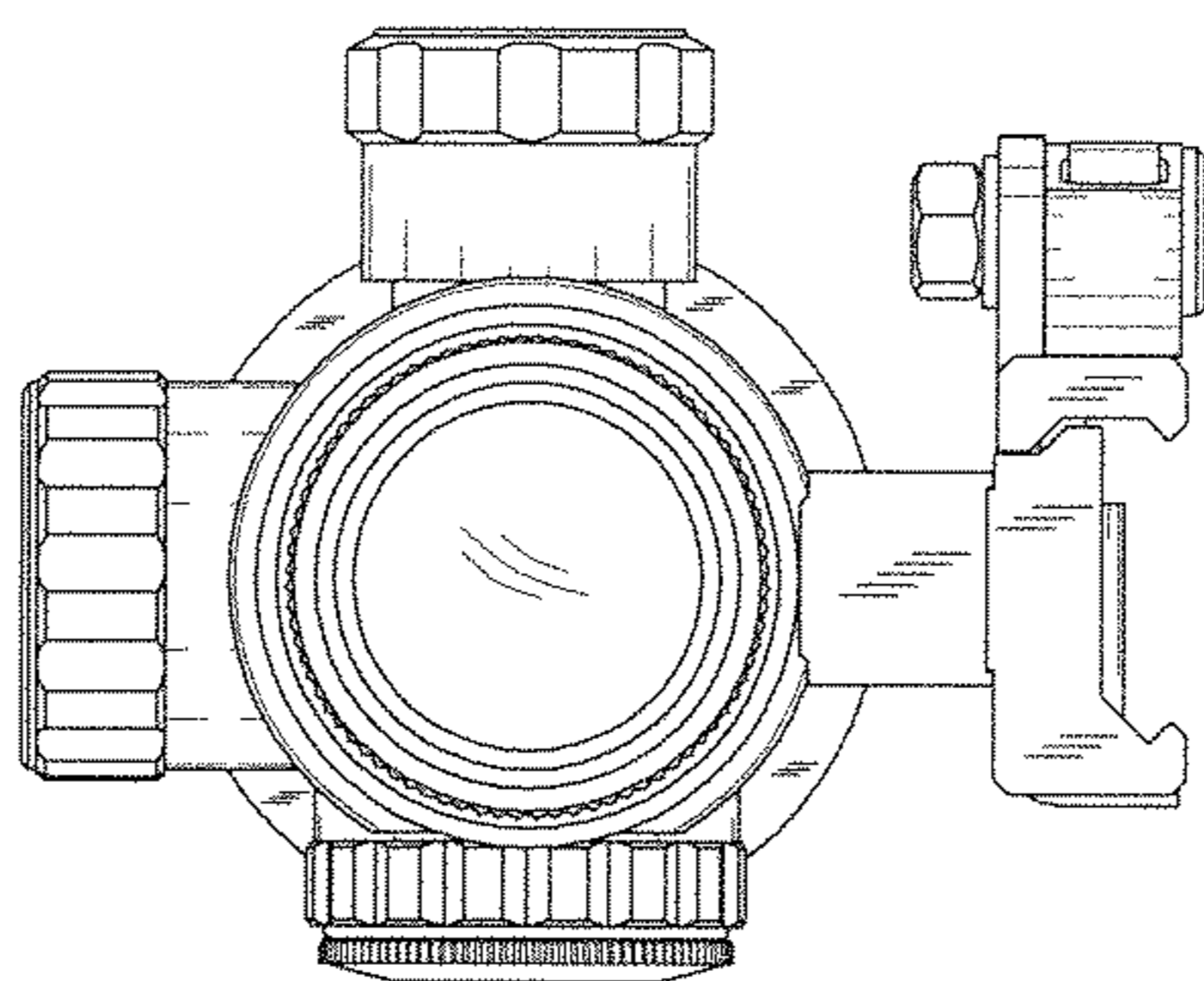


FIG.4

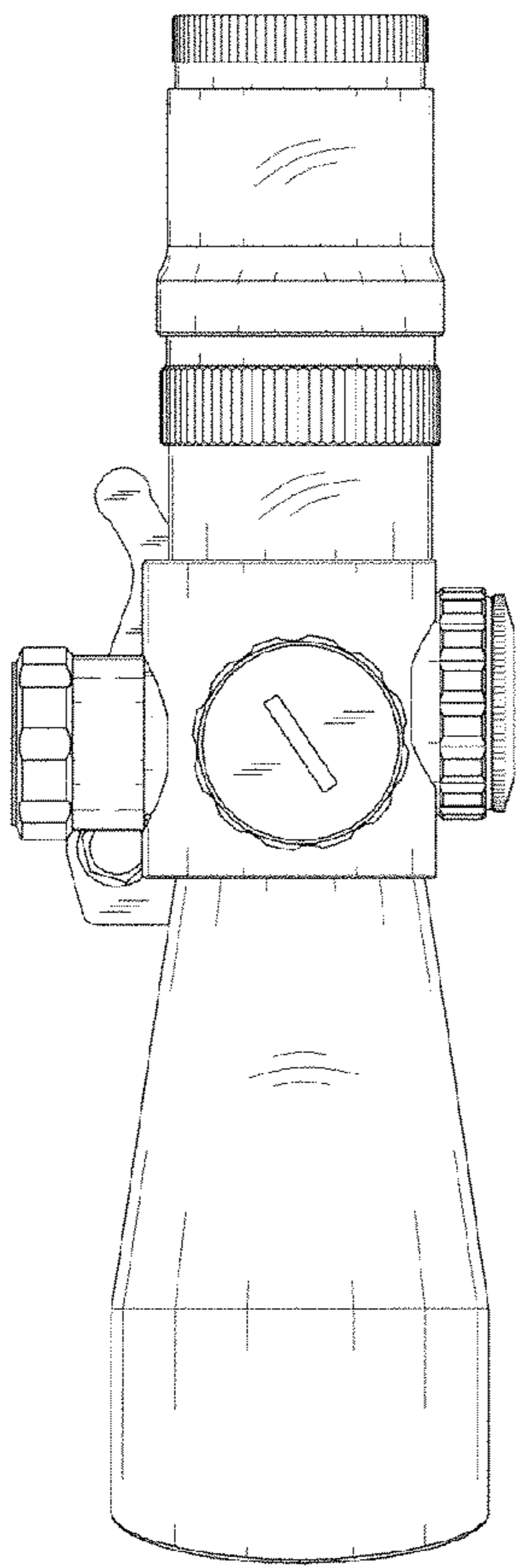


FIG. 6

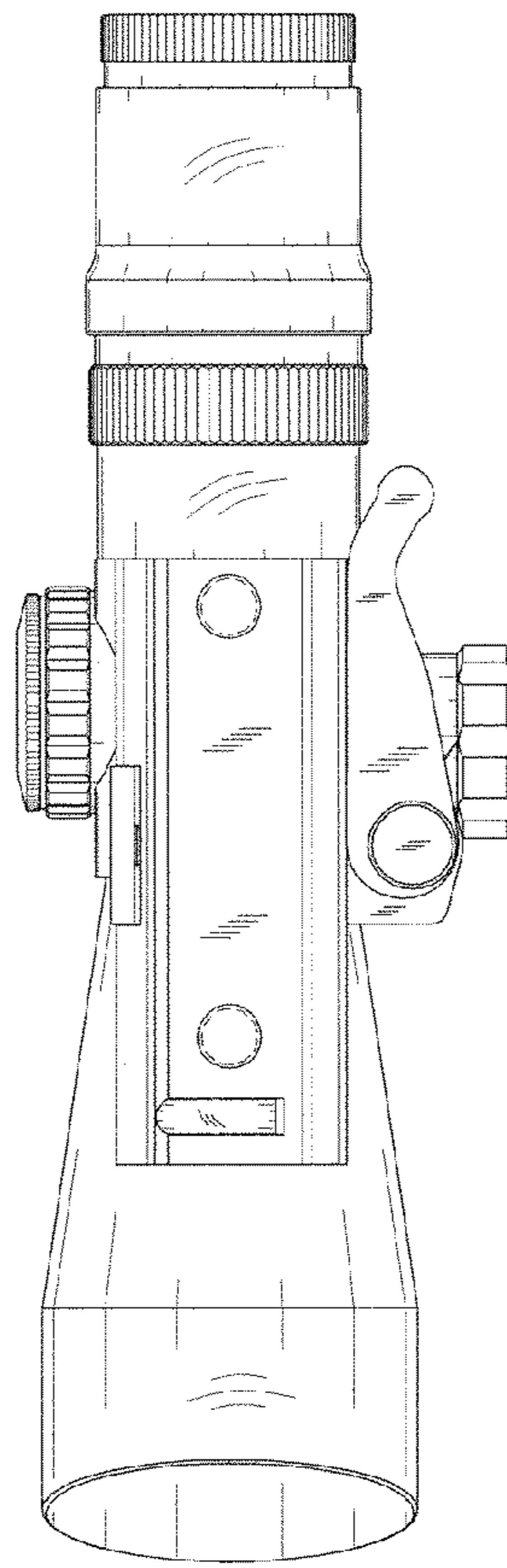


FIG. 7

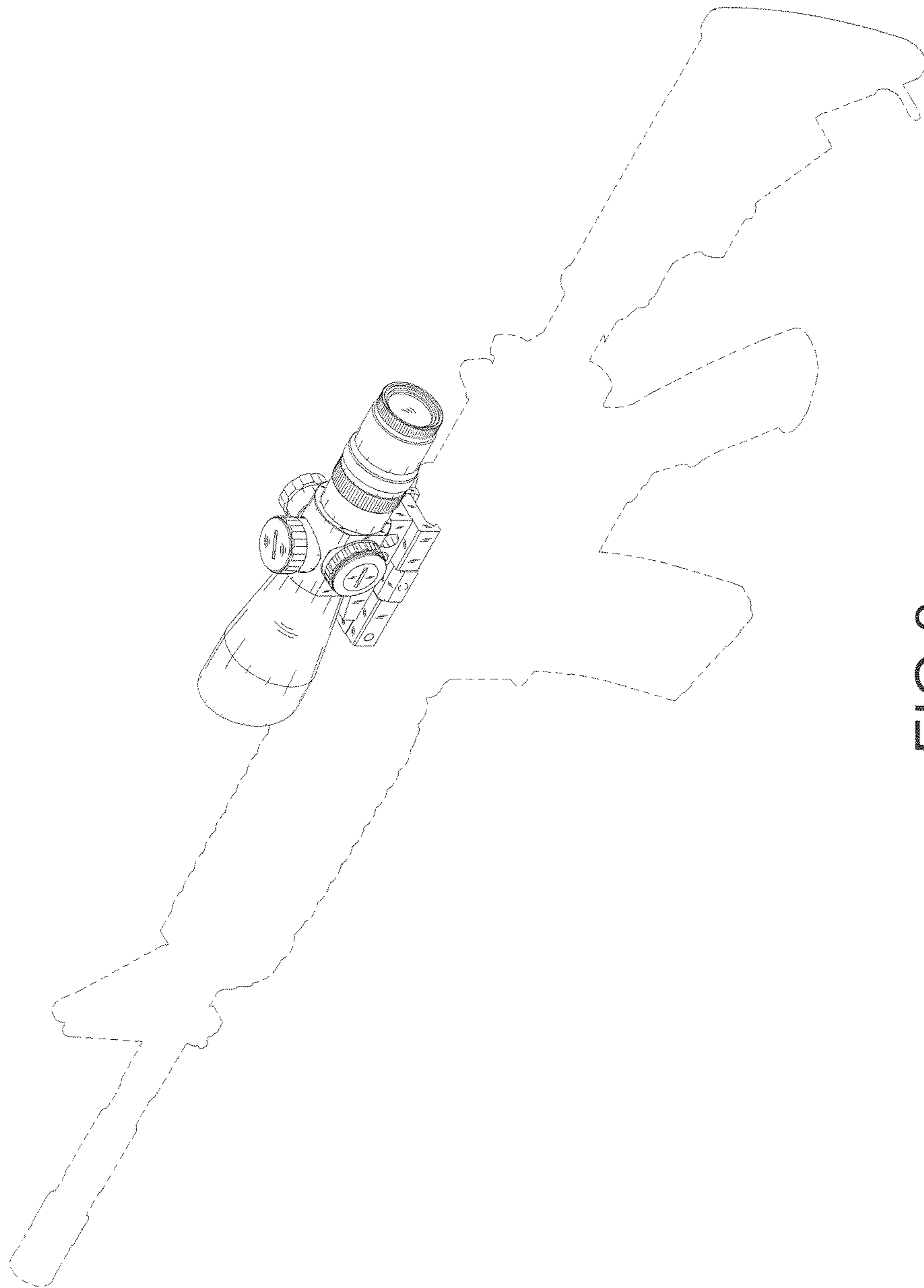


FIG.8