



US00D732632S

(12) **United States Design Patent**  
**Cheng et al.**

(10) **Patent No.:** **US D732,632 S**  
(45) **Date of Patent:** **\*\* Jun. 23, 2015**

(54) **SCOPE OPTICAL SIGHT BASE MOUNT**

(56) **References Cited**

(71) Applicants: **Carson Cheng**, City of Industry, CA  
(US); **Richard Thomas**, City of  
Industry, CA (US)

(72) Inventors: **Carson Cheng**, City of Industry, CA  
(US); **Richard Thomas**, City of  
Industry, CA (US)

(73) Assignee: **NCSTAR INC.**, City of Industry, CA  
(US)

(\*\*) Term: **14 Years**

(21) Appl. No.: **29/479,741**

(22) Filed: **Jan. 19, 2014**

(51) **LOC (10) Cl.** ..... **22-01**

(52) **U.S. Cl.**  
USPC ..... **D22/109**

(58) **Field of Classification Search**

USPC ..... D22/108-109; 89/111-113; 359/399,  
359/823, 744; 42/104, 105, 111-113, 116,  
42/120, 124-126, 127-129, 141-148,  
42/133-140; 33/227, 229  
CPC ..... F41G 1/00; F41G 1/01; F41G 1/02;  
F41G 1/06; F41G 1/065; F41G 1/08; F41G  
1/10; F41G 1/12; F41G 1/14; F41G 1/30;  
F41G 1/32; F41G 1/38; F41G 1/40; F41G  
1/42; F41G 1/44; F41G 1/46; F41G 1/383;  
F41G 1/387; F41G 1/393; F41G 3/00; F41G  
3/005; F41G 3/02; F41G 3/04; F41G 3/06;  
F41G 3/14; F41G 11/002; F41G 11/003;  
F41G 11/004; F41G 11/005

See application file for complete search history.

U.S. PATENT DOCUMENTS

D259,944	S	*	7/1981	Burris	.....	D22/110
4,367,606	A	*	1/1983	Bechtel	.....	42/127
4,501,071	A	*	2/1985	Manske	.....	42/127
D317,344	S	*	6/1991	Klumpp	.....	D22/110
5,033,219	A	*	7/1991	Johnson et al.	.....	42/115
D383,826	S	*	9/1997	Weigand	.....	D22/110
D554,730	S	*	11/2007	Coggins	.....	D22/110
D632,753	S	*	2/2011	Leighton et al.	.....	D22/109
D683,809	S	*	6/2013	Kasanjian-King	.....	D22/108
D713,921	S	*	9/2014	Williams et al.	.....	D22/109
D715,393	S	*	10/2014	Williams et al.	.....	D22/109
2008/0034638	A1	*	2/2008	Spuhr	.....	42/127

\* cited by examiner

*Primary Examiner* — Michael A Pratt

(74) *Attorney, Agent, or Firm* — Raymond Y. Chan; David  
and Raymond Patent Firm

(57) **CLAIM**

The ornamental design for a scope optical sight base mount,  
as shown and described.

**DESCRIPTION**

FIG. 1 is a perspective view of a scope optical sight base  
mount showing my new design.

FIG. 2 is a front view thereof.

FIG. 3 is a rear view thereof.

FIG. 4 is a left view thereof.

FIG. 5 is a right view thereof.

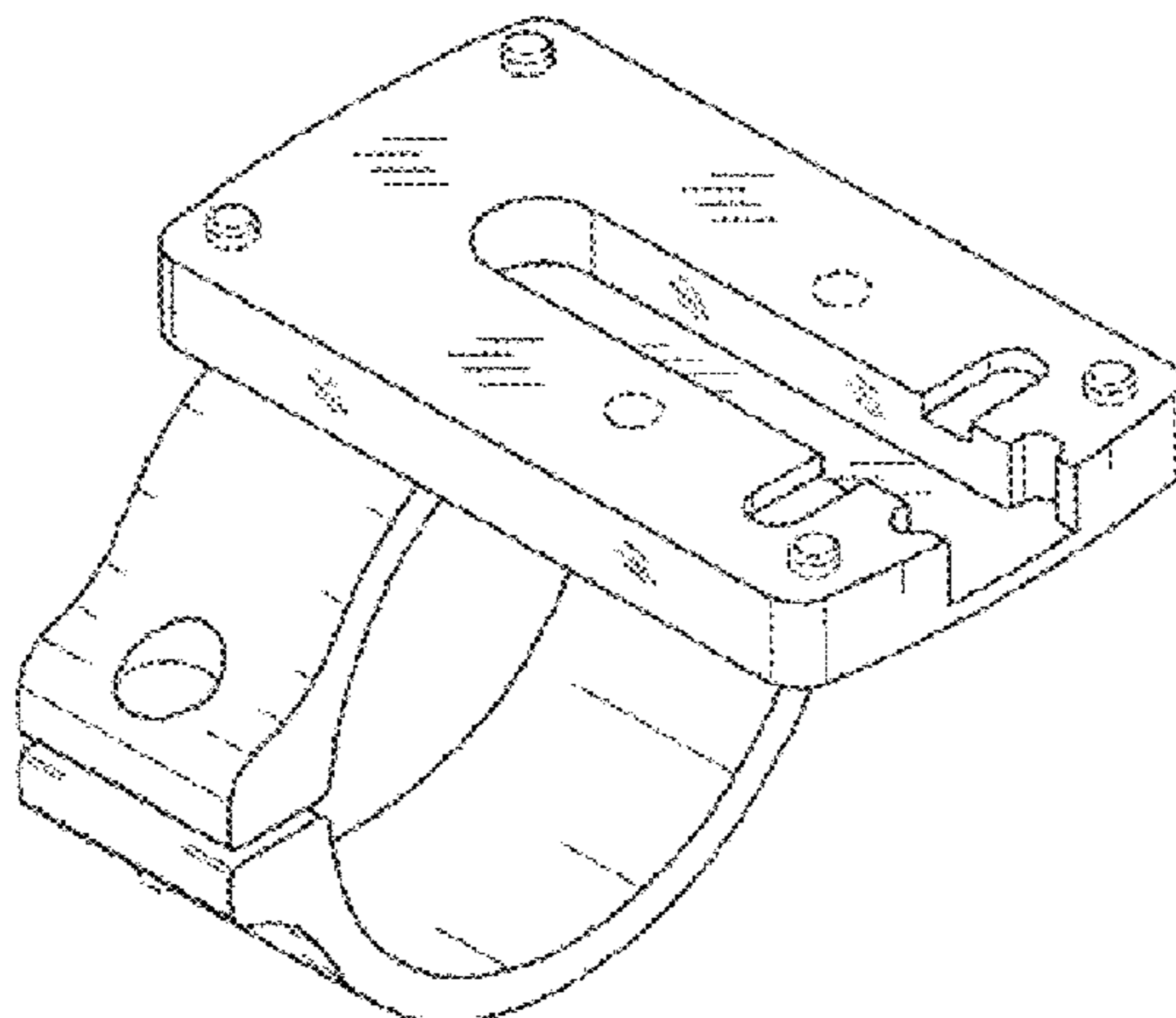
FIG. 6 is a top view thereof.

FIG. 7 is a bottom view thereof; and,

FIG. 8 is a perspective view of the scope optical sight base  
mount, illustrating the scope optical sight base mount  
mounted at a scope.

The broken line portion of the figure drawings is included to  
show unclaimed subject matter only and forms no part of the  
claimed design.

**1 Claim, 2 Drawing Sheets**



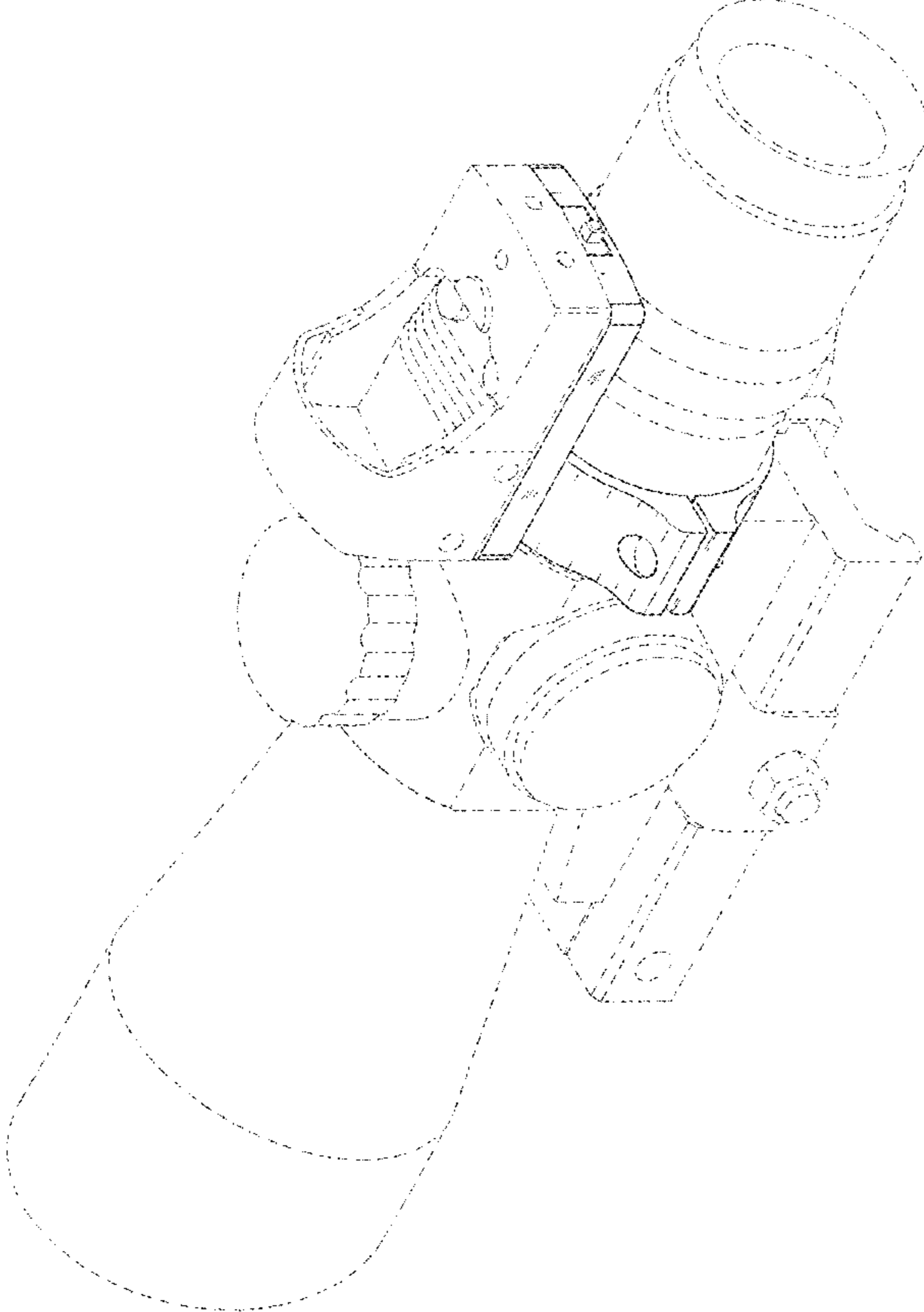


FIG. 8

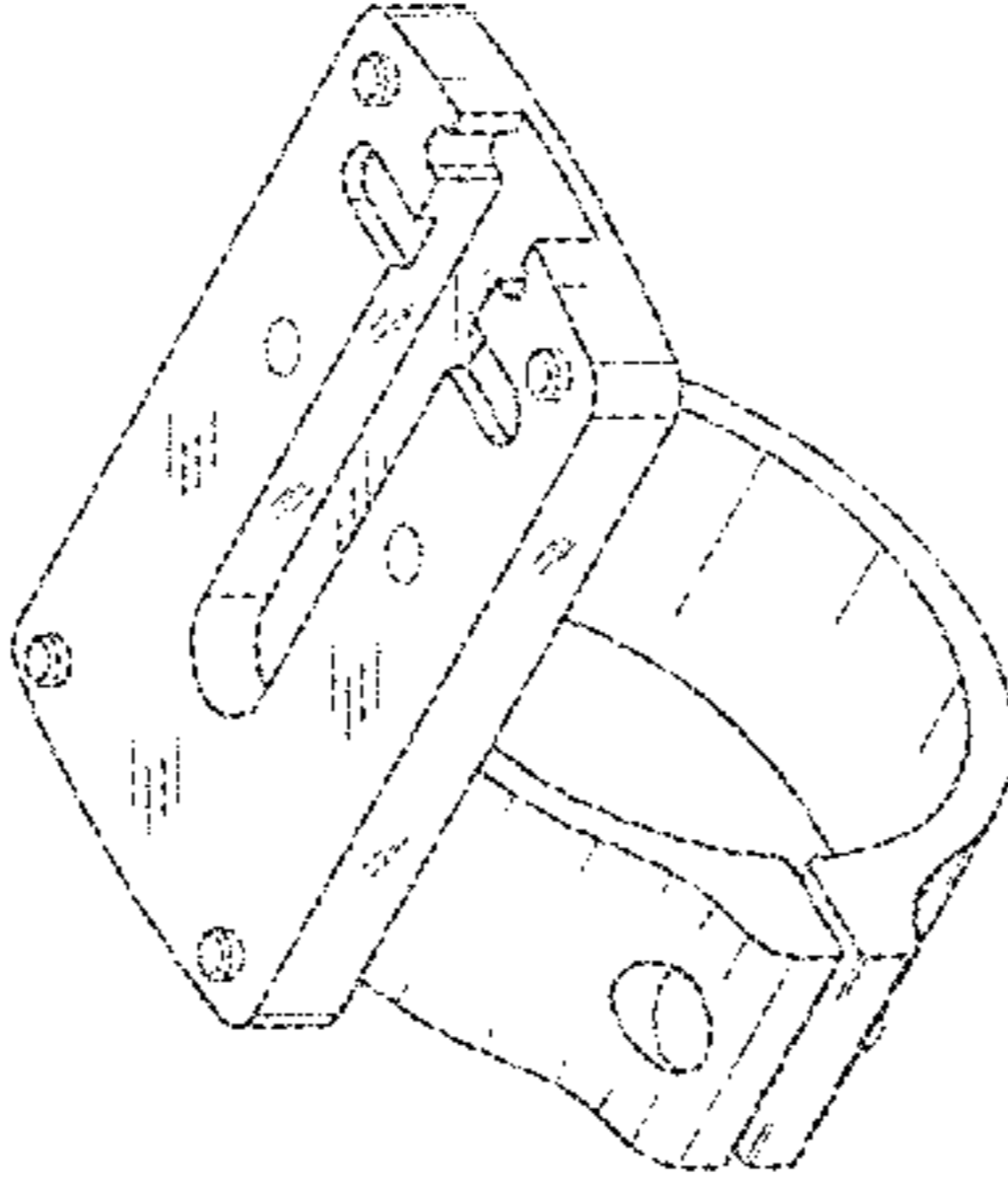


FIG. 1

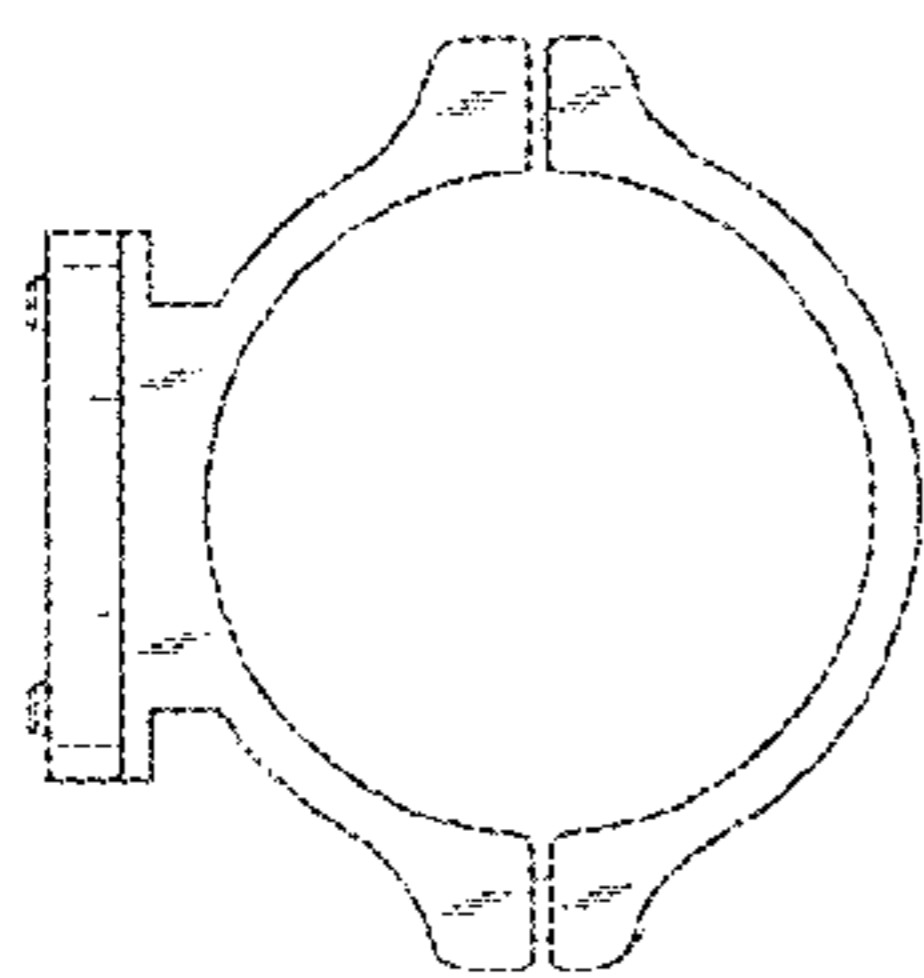


FIG. 2

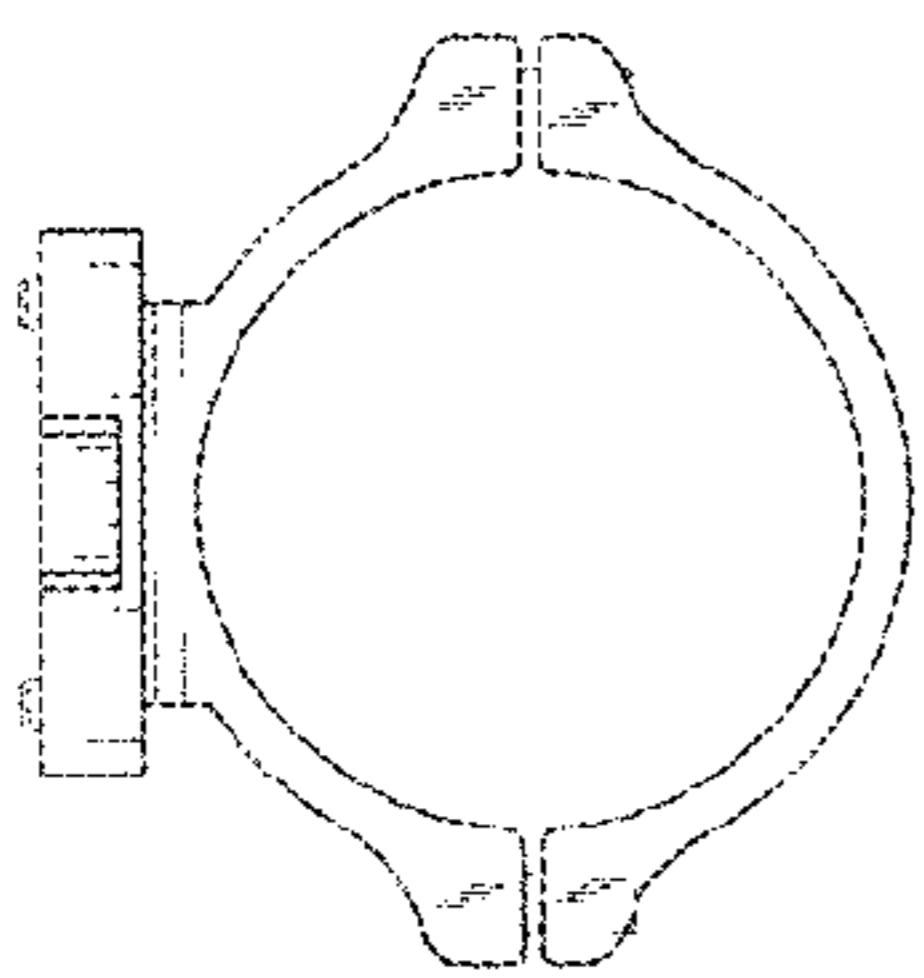


FIG. 3

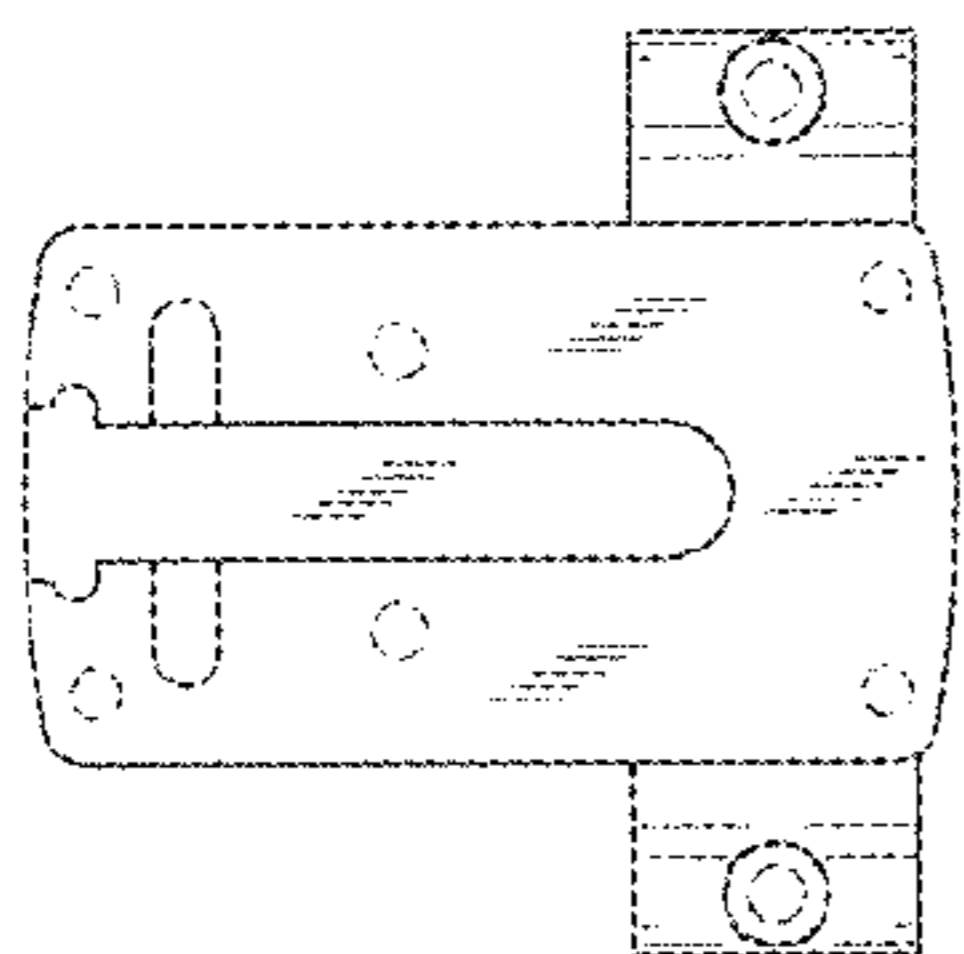


FIG. 6

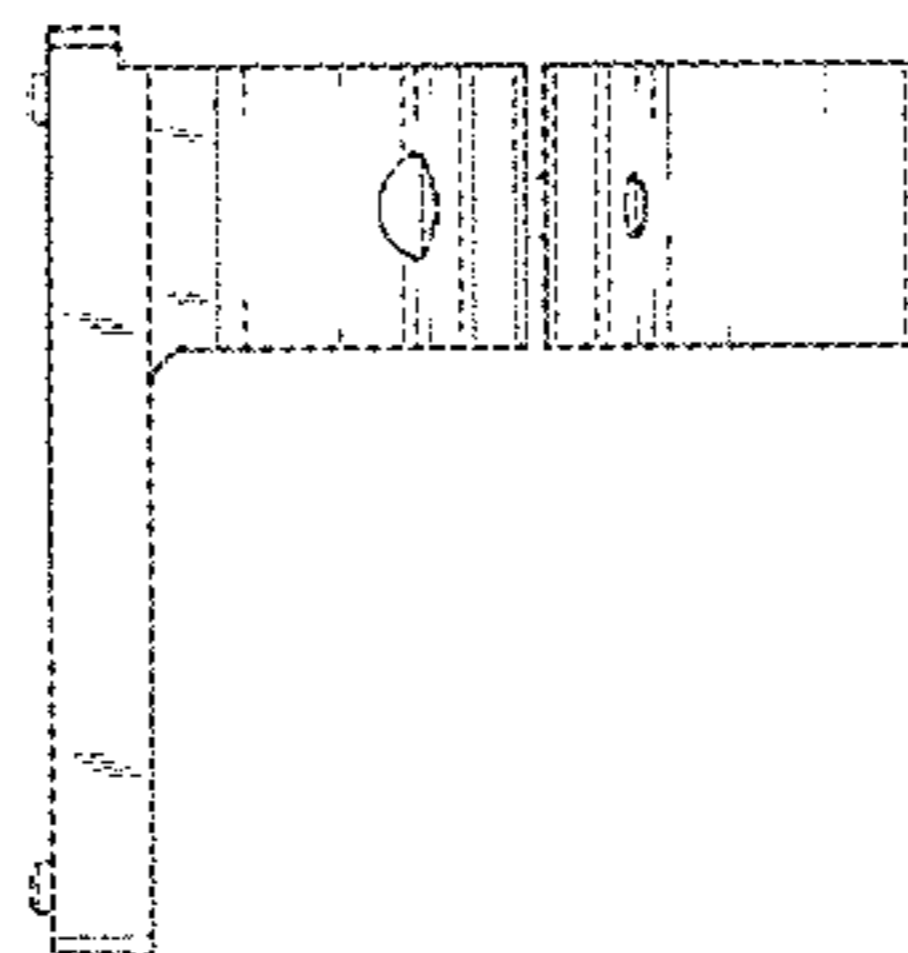


FIG. 4

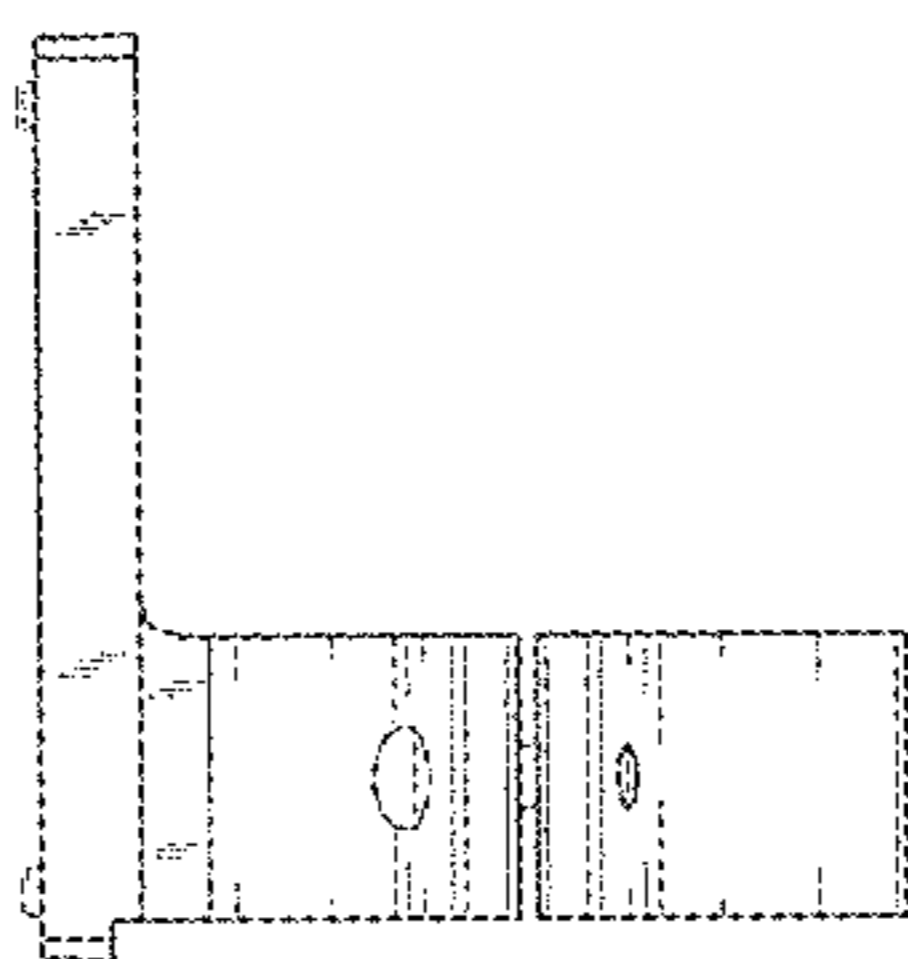


FIG. 5

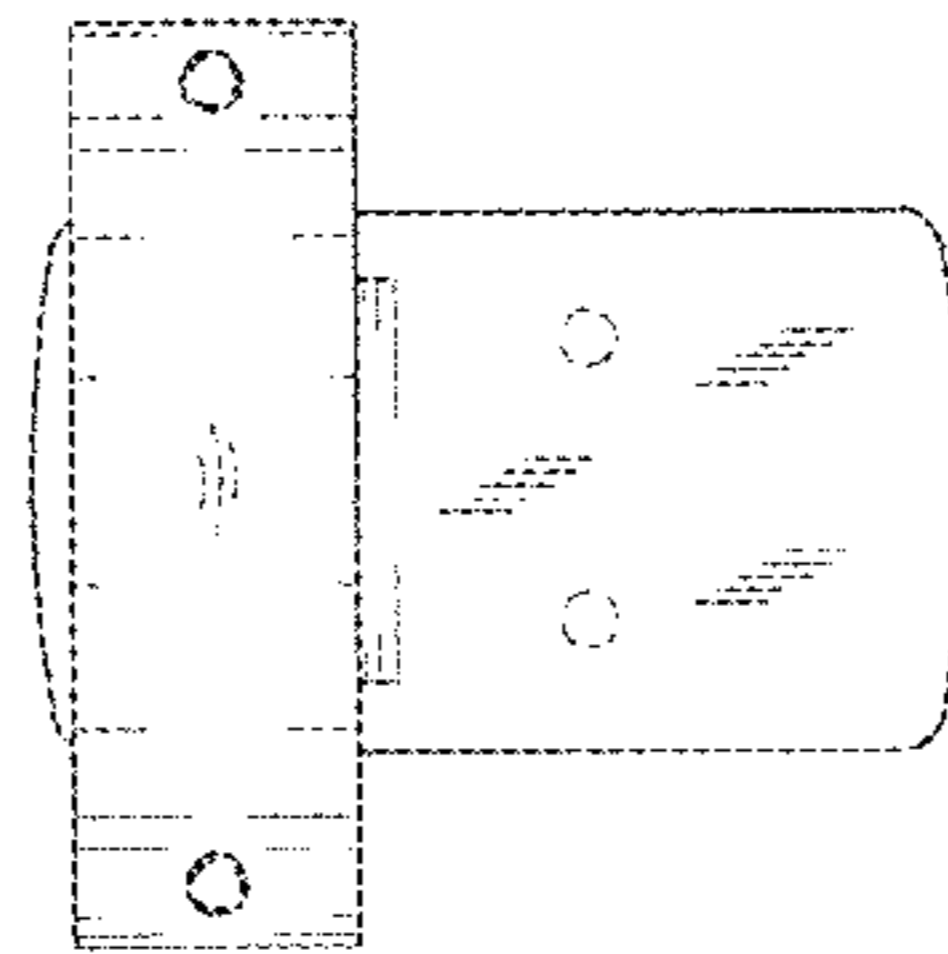


FIG. 7